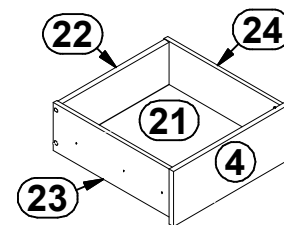
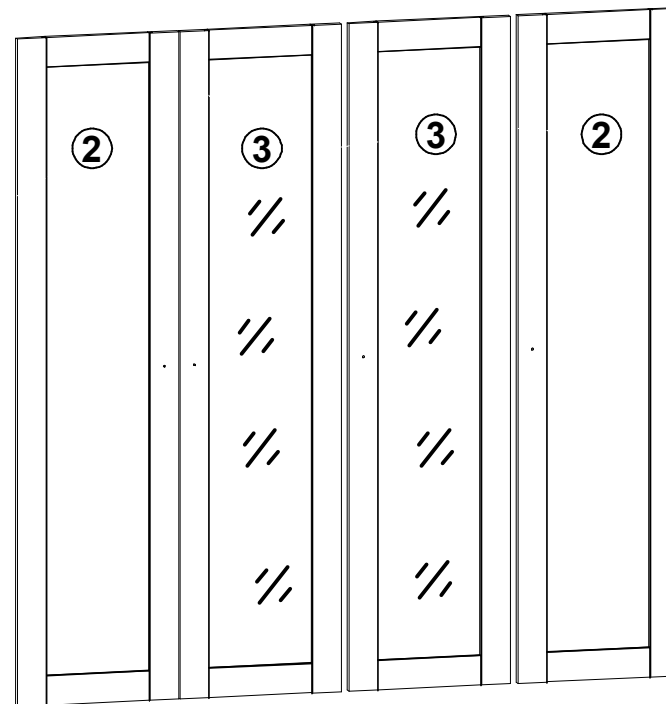
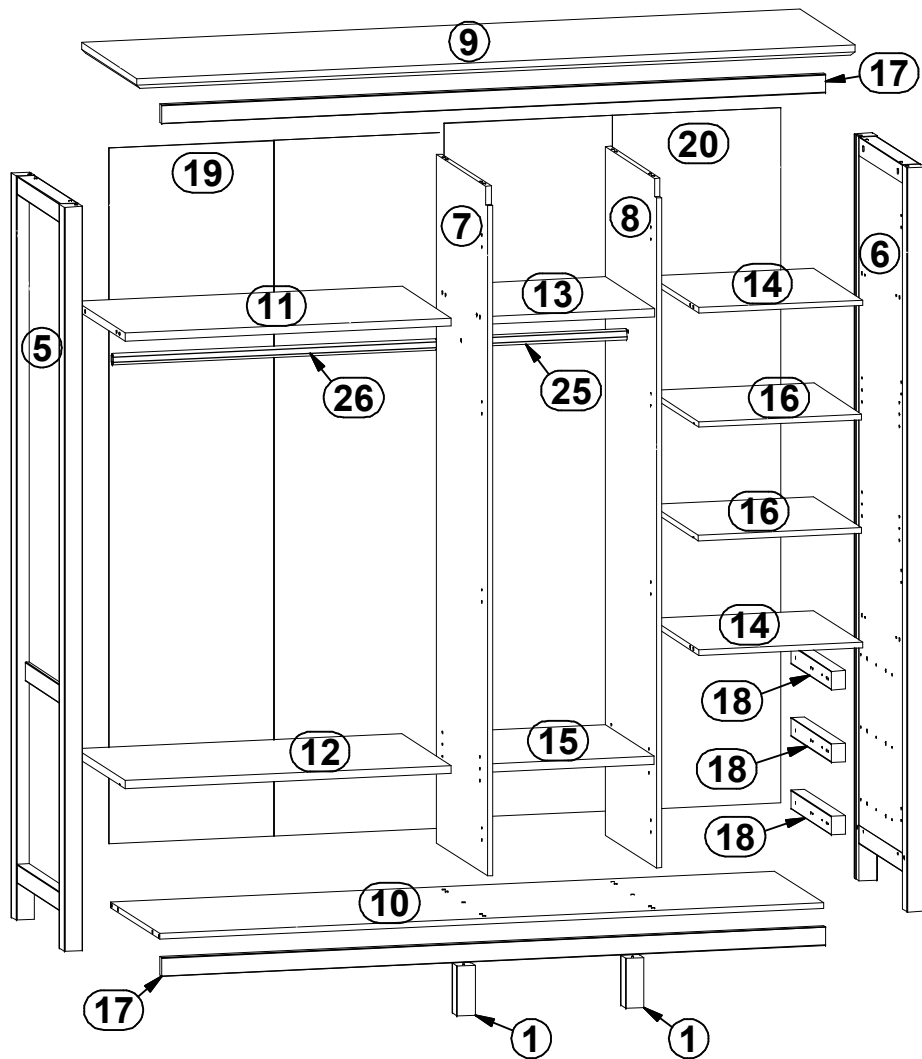
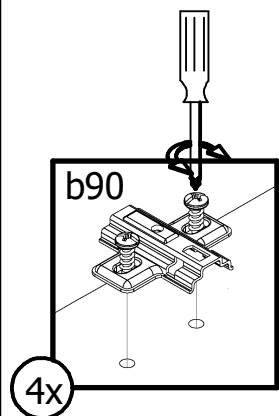
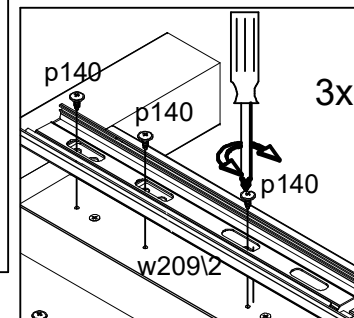
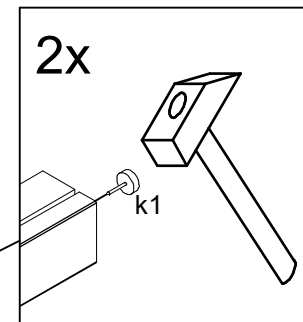
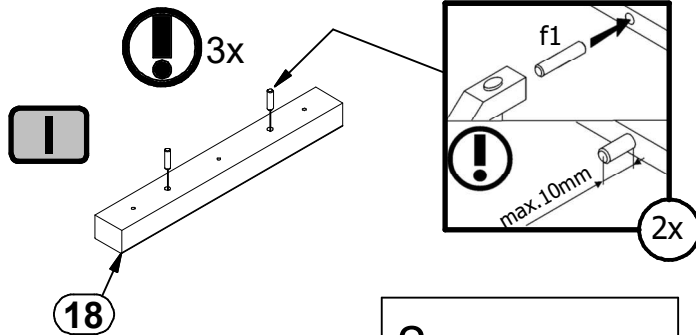
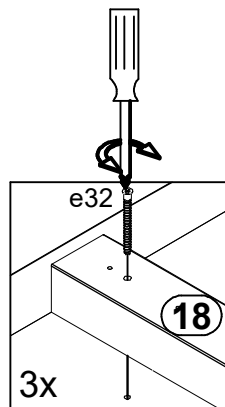
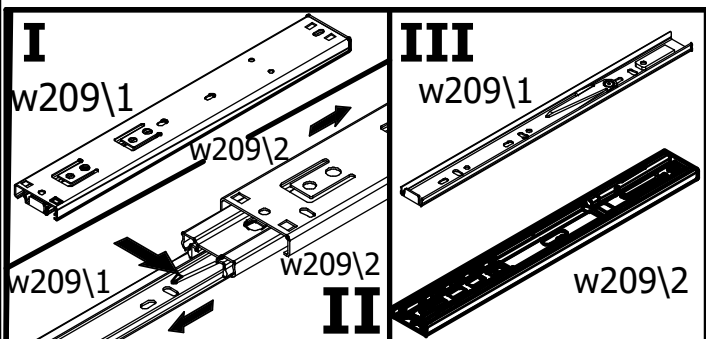


A	B1	B2	C1	C2	C3	D
1	S503-5005	-	134	50	50	5/6
2	S515-0021	-	1794	442	19	6/6
3	S515-0022	-	1794	442	19	6/6
4	S515-0023	-	402	160	15	2/6
5	S515-1048	-	2000	541	50	5/6
6	S515-1049	-	2000	541	50	5/6
7	S515-1050	-	1851	518	15	4/6
8	S515-1051	-	1851	518	15	4/6
9	S515-2013	-	1968	566	28	3/6
10	S515-3028	-	1819	500	15	2/6
11	S515-3029	-	893	499	22	2/6
12	S515-3030	-	892	499	22	2/6
13	S515-3031	-	448	499	22	1/6
14	S515-3032	-	448	499	15	1/6
15	S515-3033	-	447	501	22	1/6
16	S515-3034	-	447	490	15	1/6
17	S515-5212	-	1819	50	19	3/6
18	S515-5213	-	413	50	38	3/6
19	S515-9306	-	1869	905	2.5	4/6
20	S515-9307	-	1869	923	2.5	4/6
21	WSP-9510	-	371	408	2.5	2/6
22	ZK3-5171	-	361	127	15	2/6
23	ZK4-515	-	400	140	12	2/6
24	ZK4-516	-	400	140	12	2/6
25	dr-442		442	30	15	2/6
26	dr-886		886	30	15	2/6

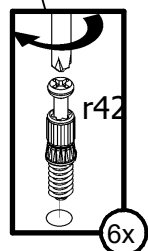
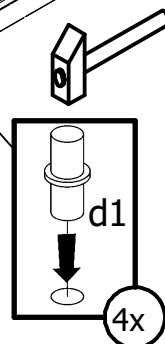
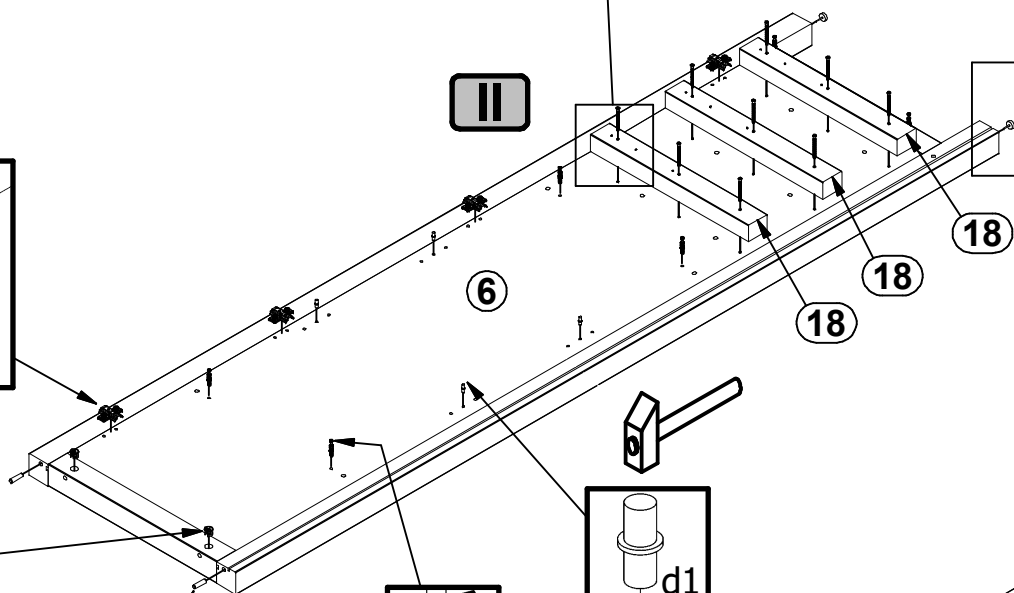




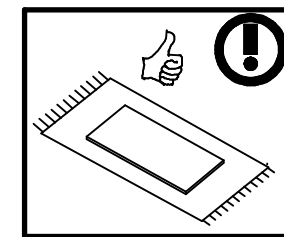
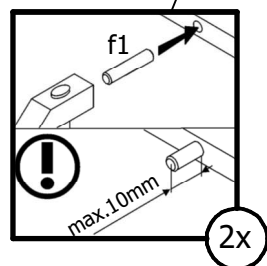
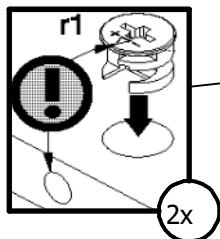
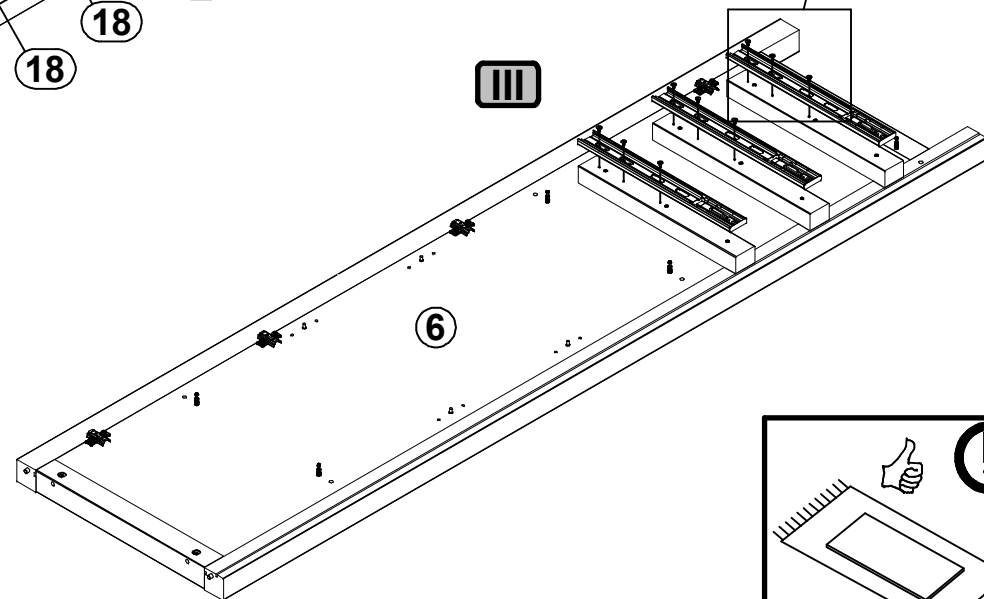
1 



II

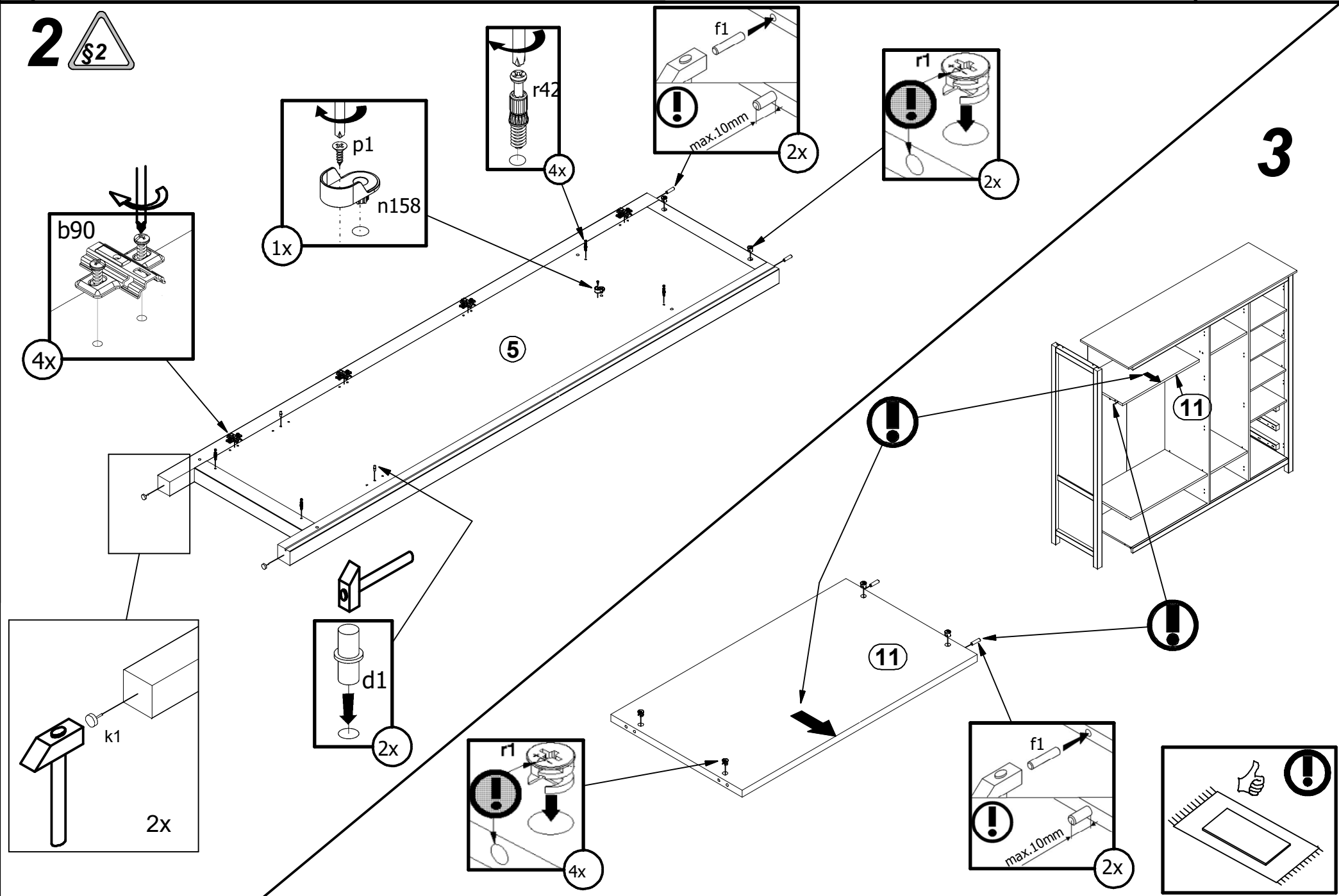


III

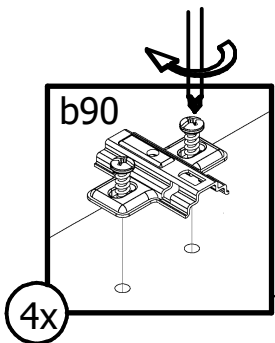
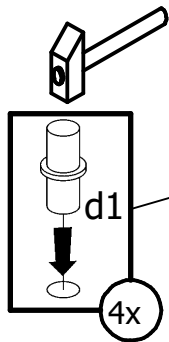


2 

3



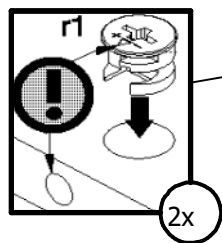
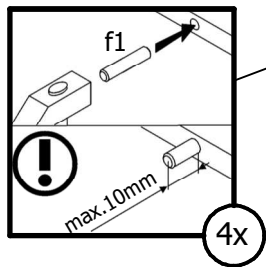
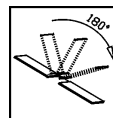
4 



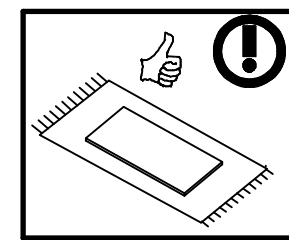
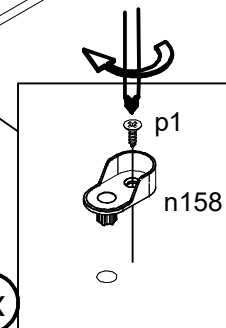
4x

7

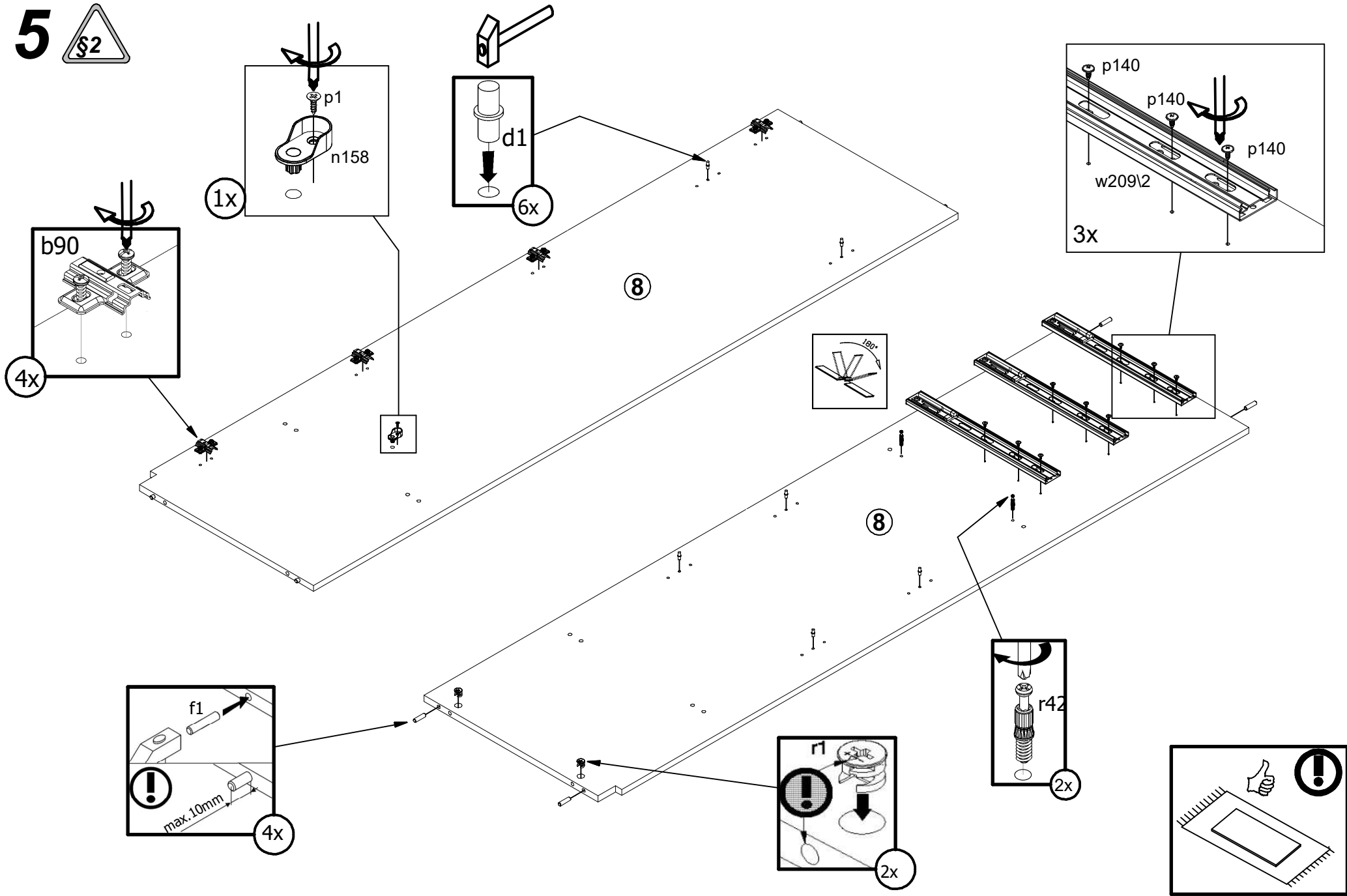
7



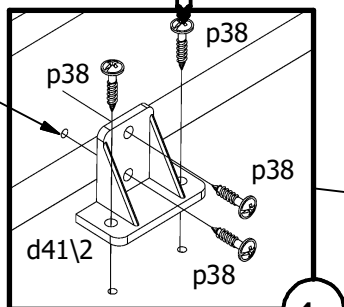
2x



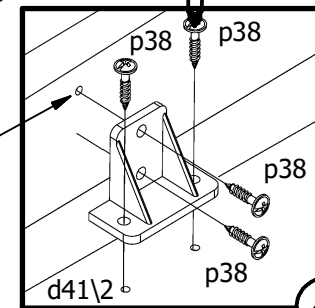
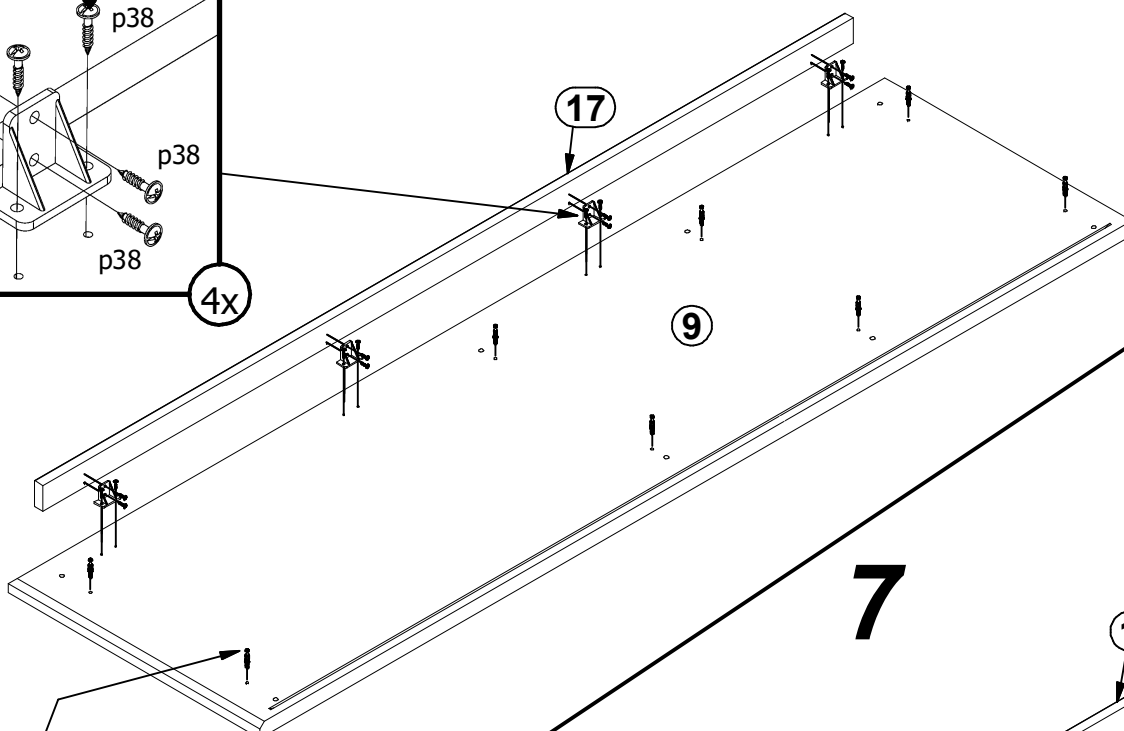
5



6

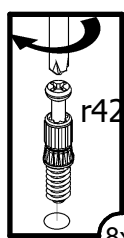


4x

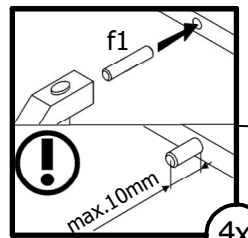


4x

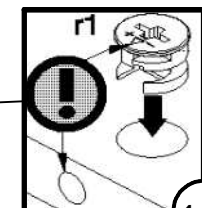
7



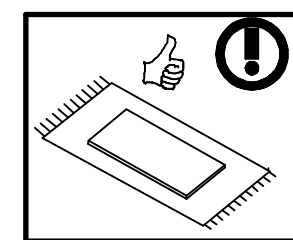
8x



4x

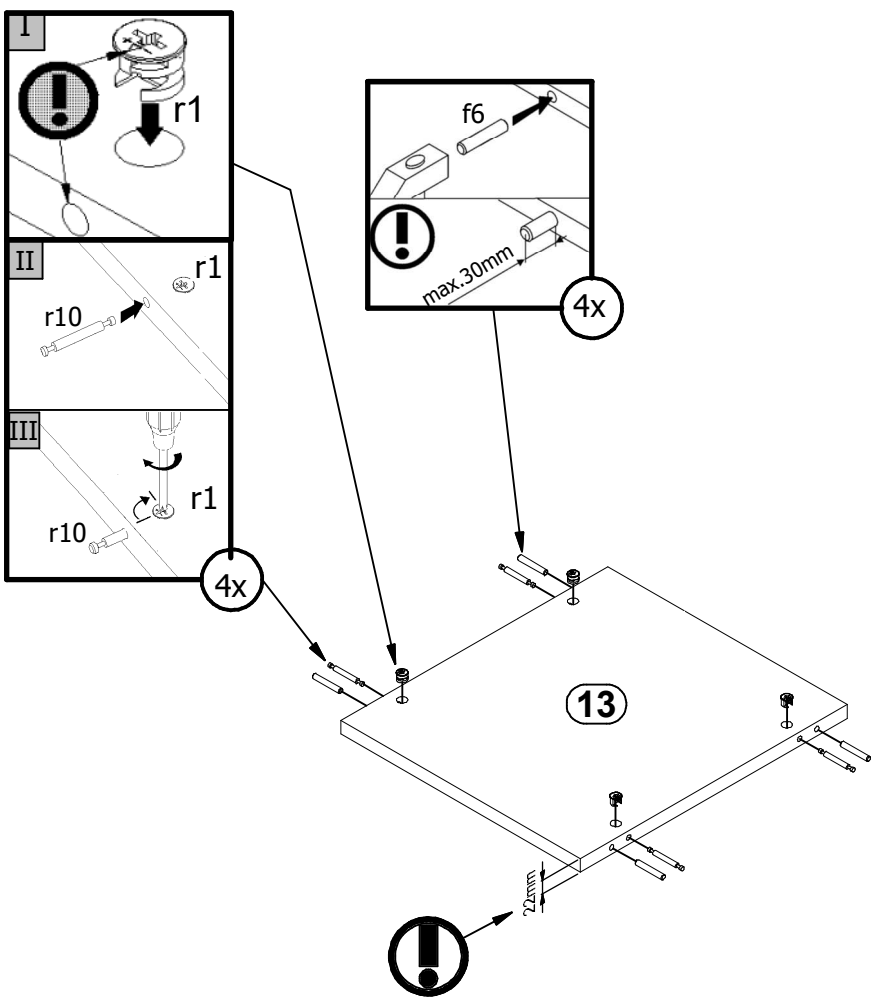
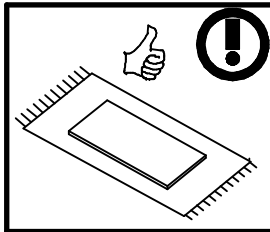


4x

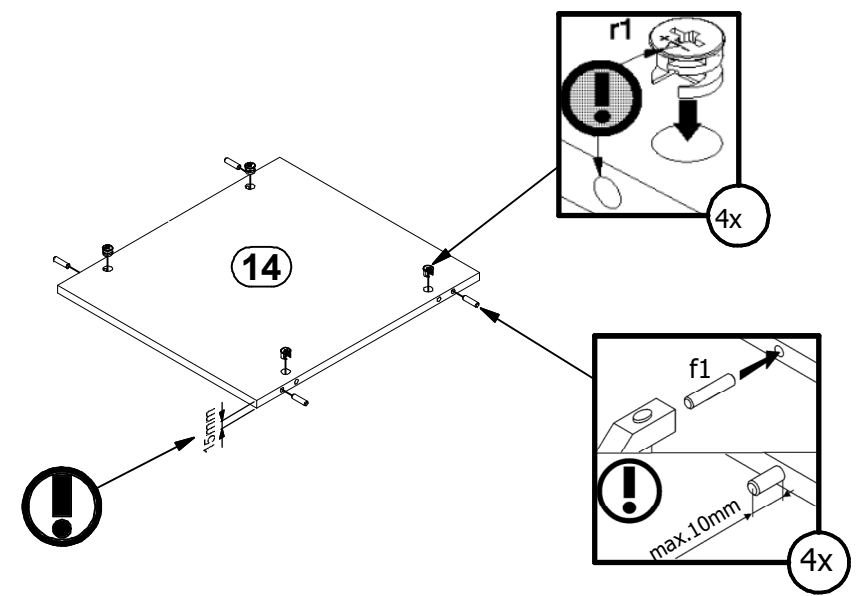


10

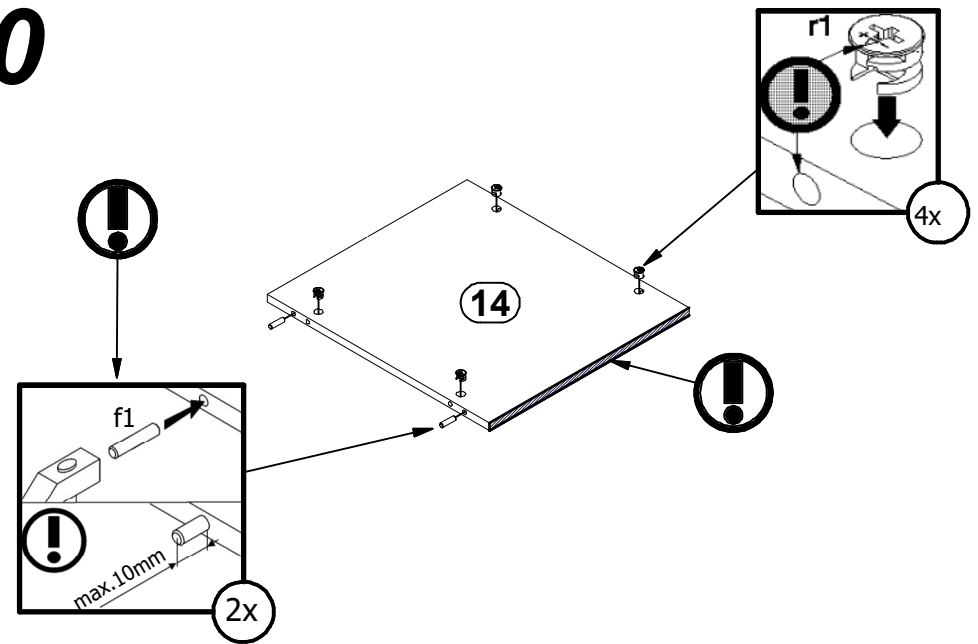
8



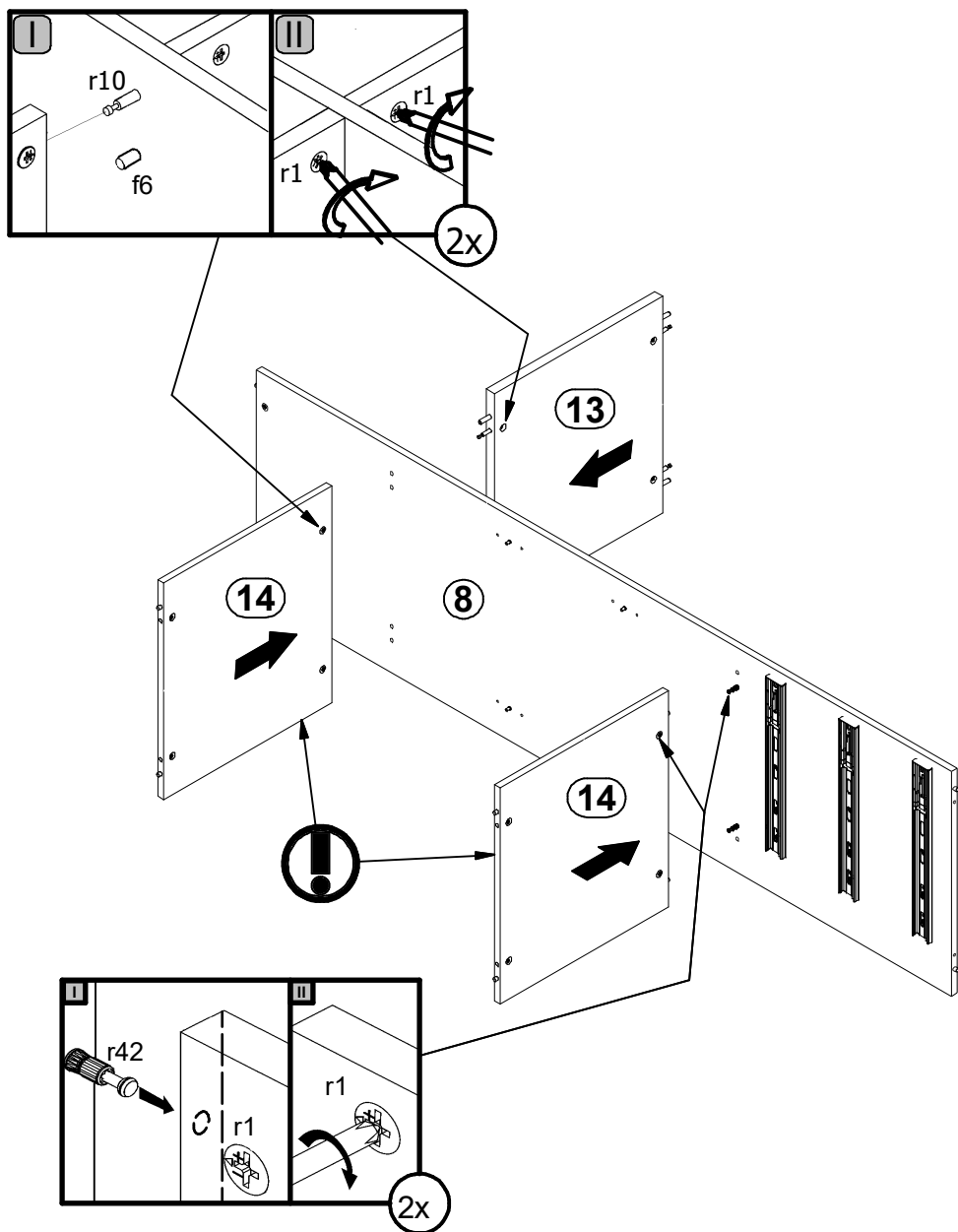
9



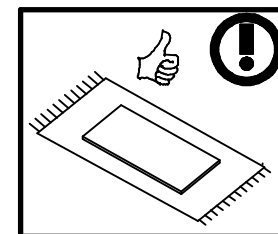
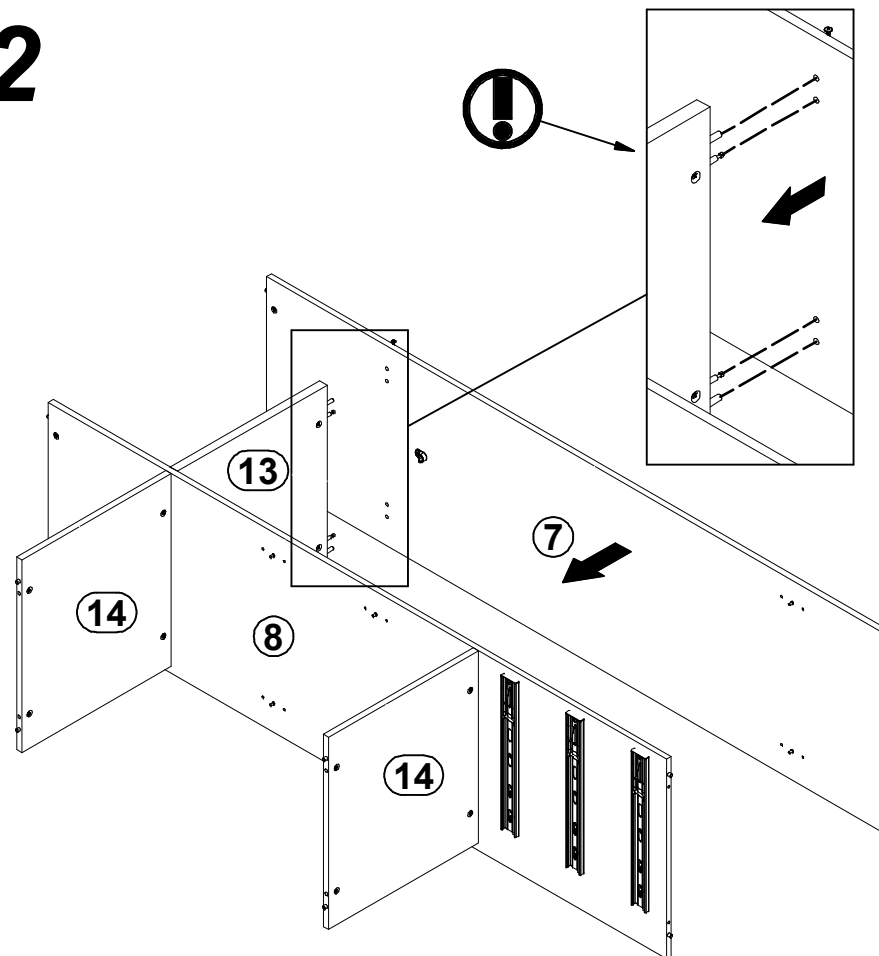
10



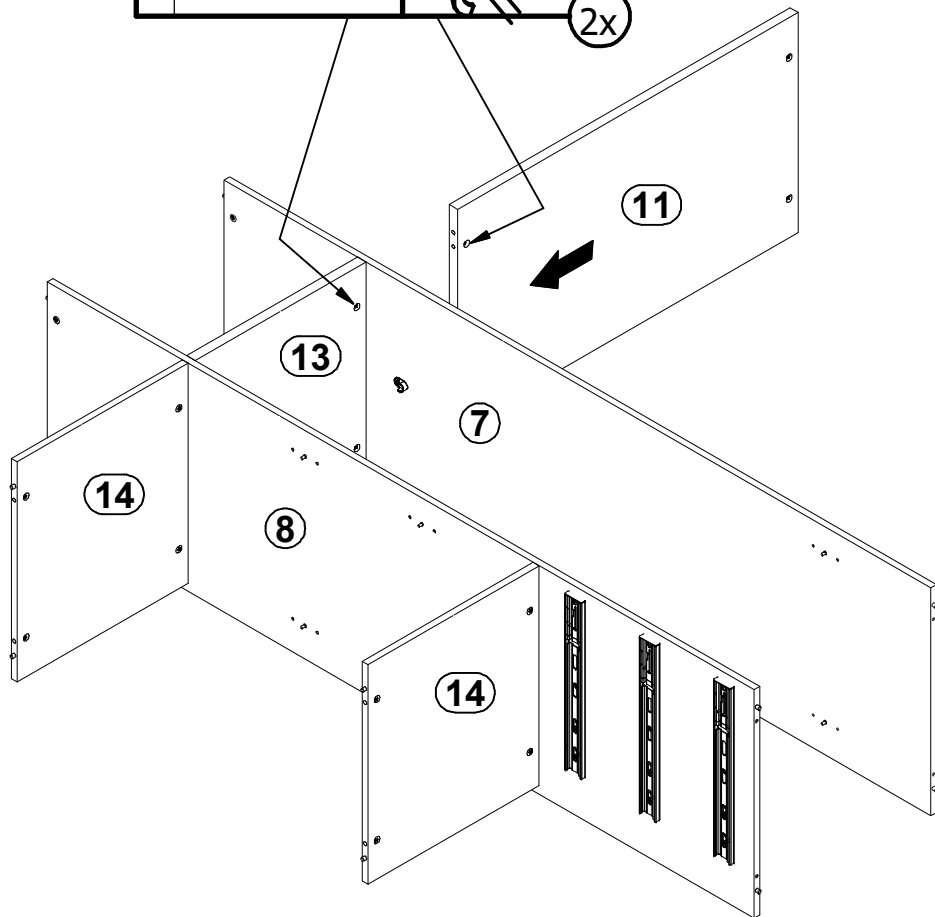
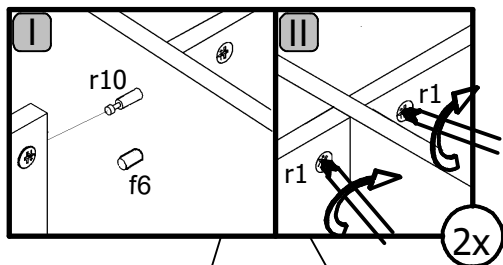
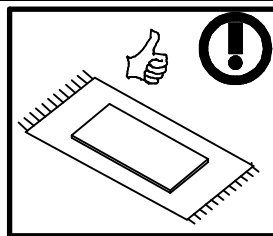
11



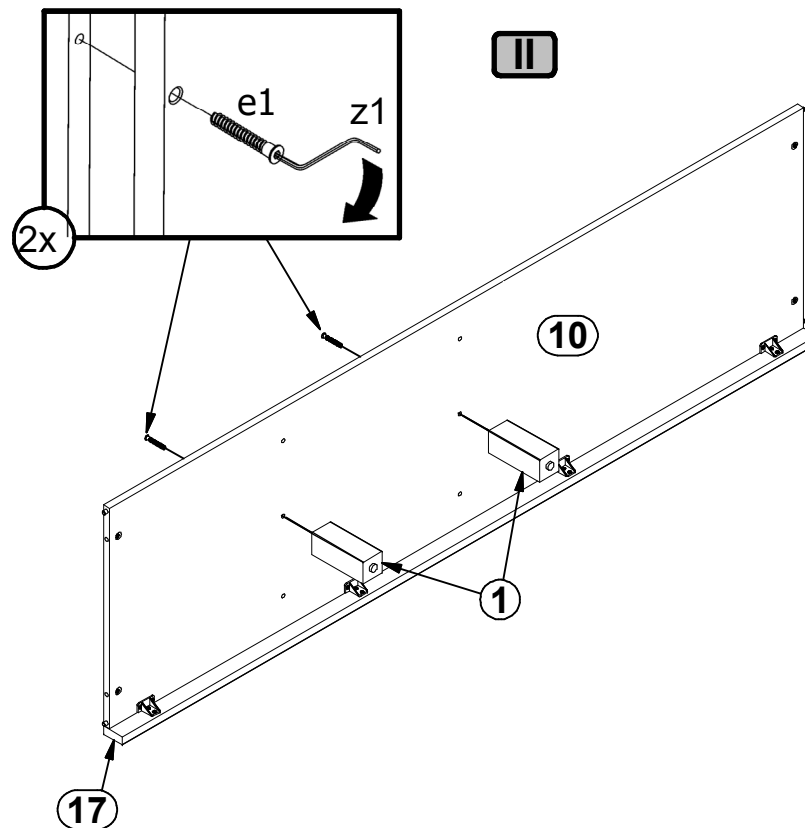
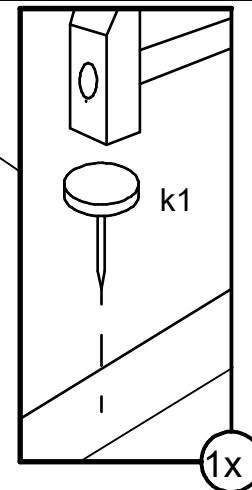
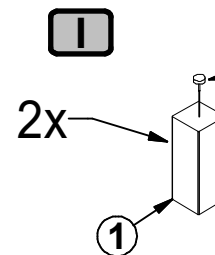
12



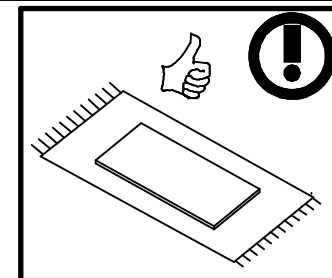
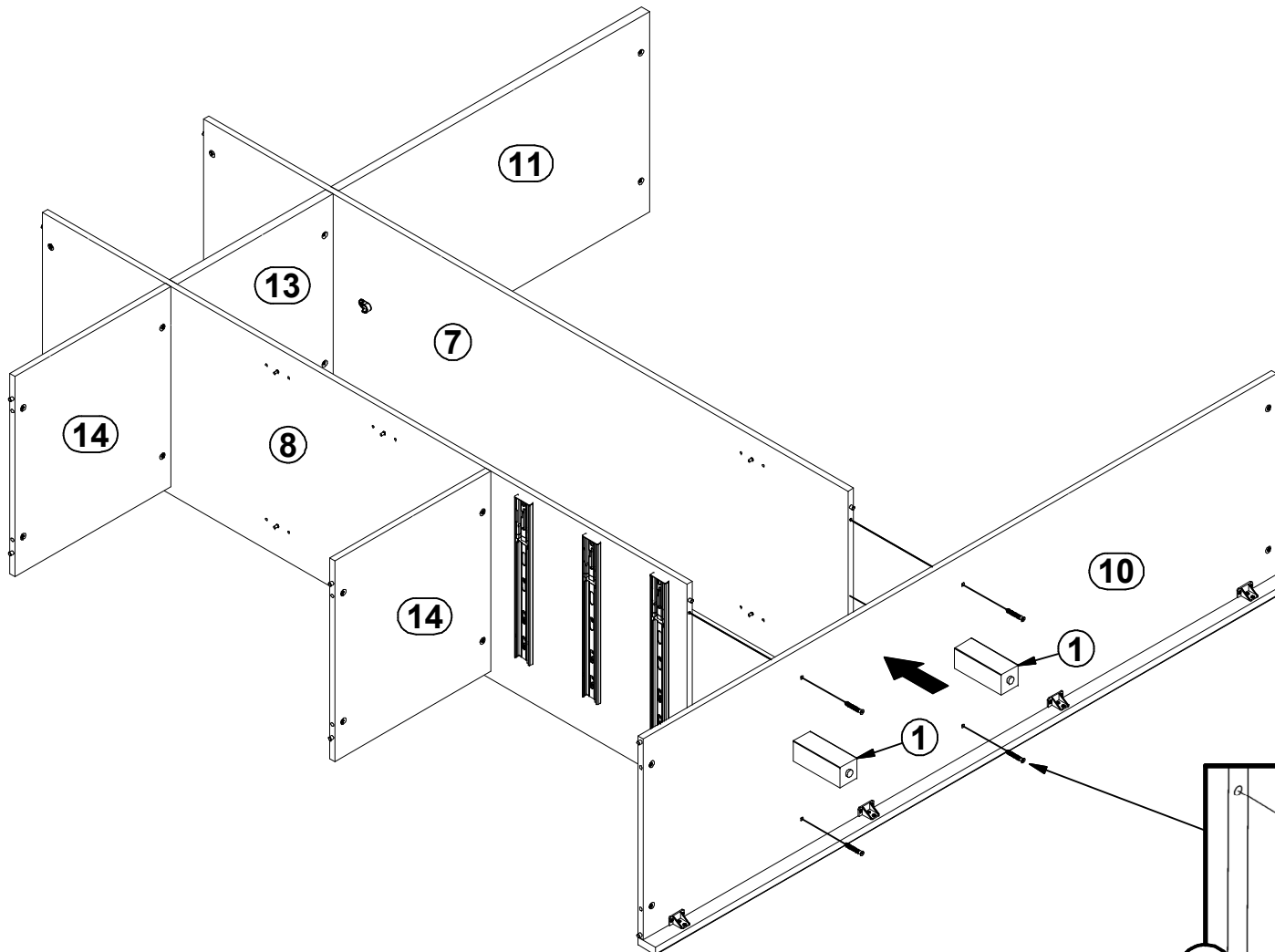
13



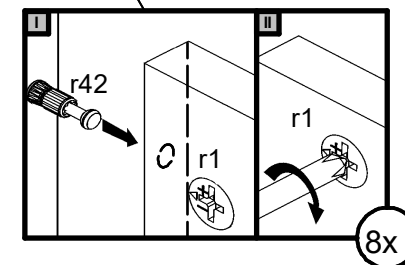
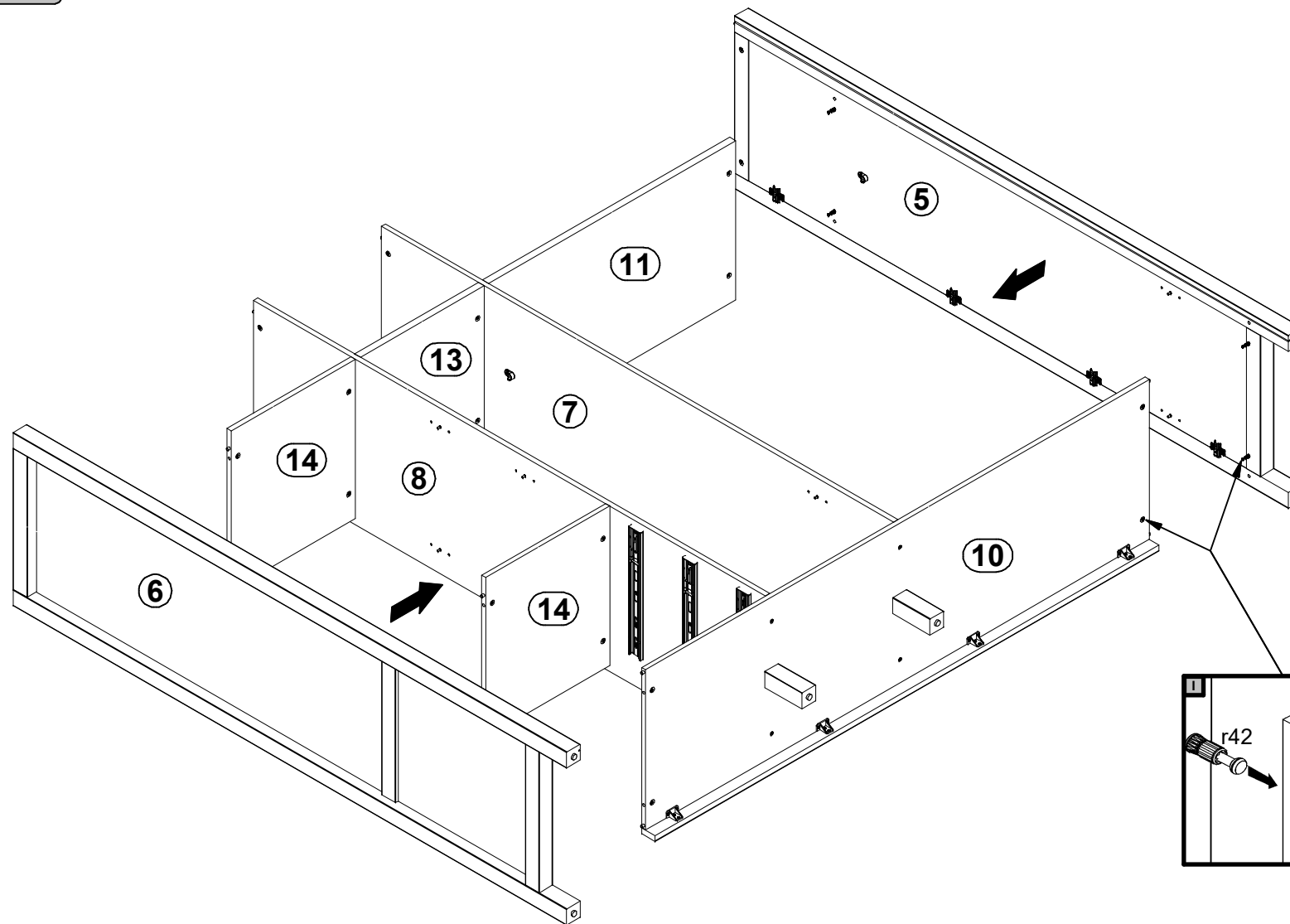
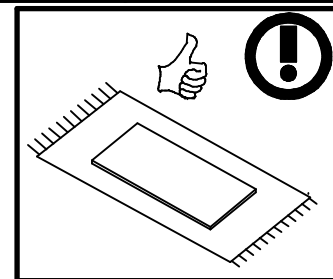
14



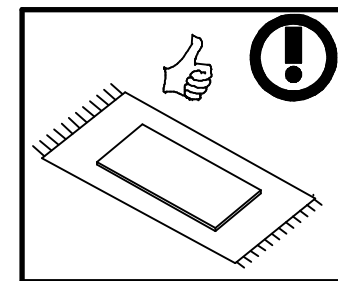
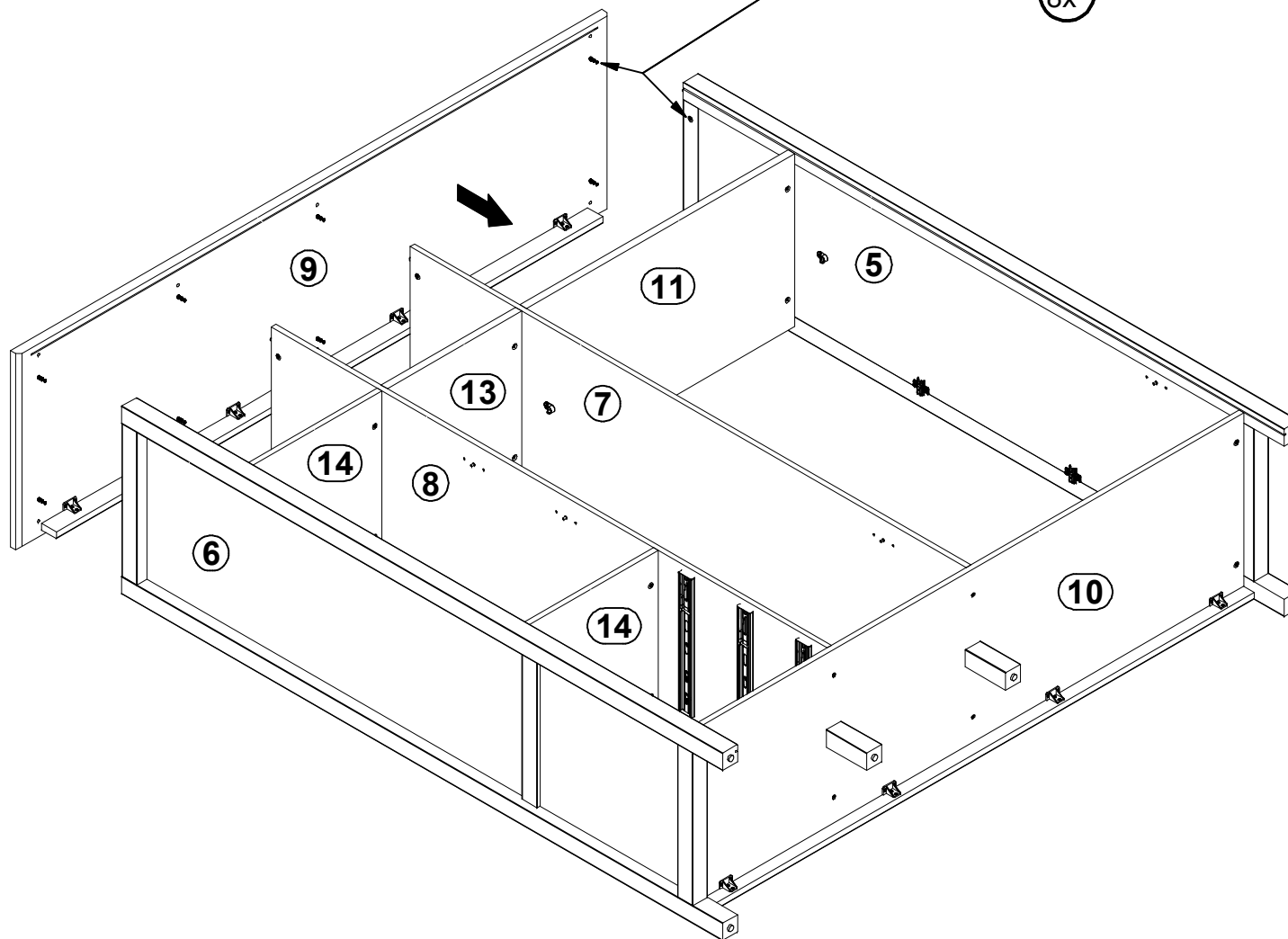
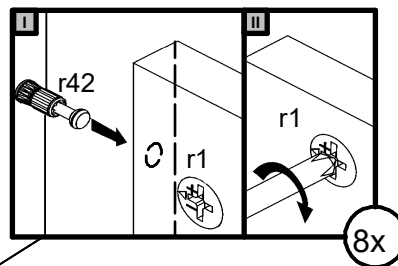
15



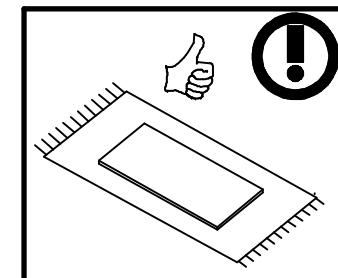
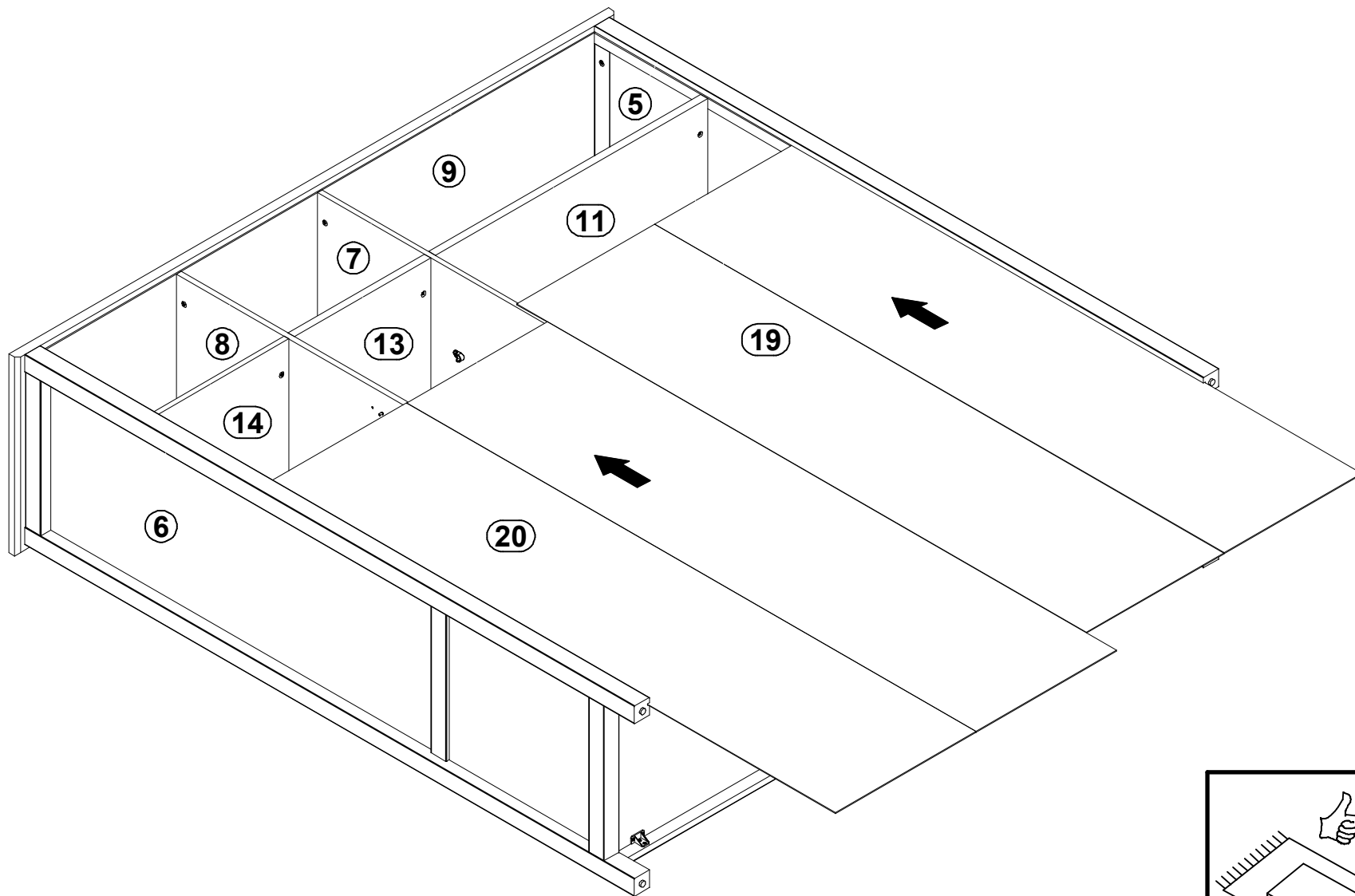
16



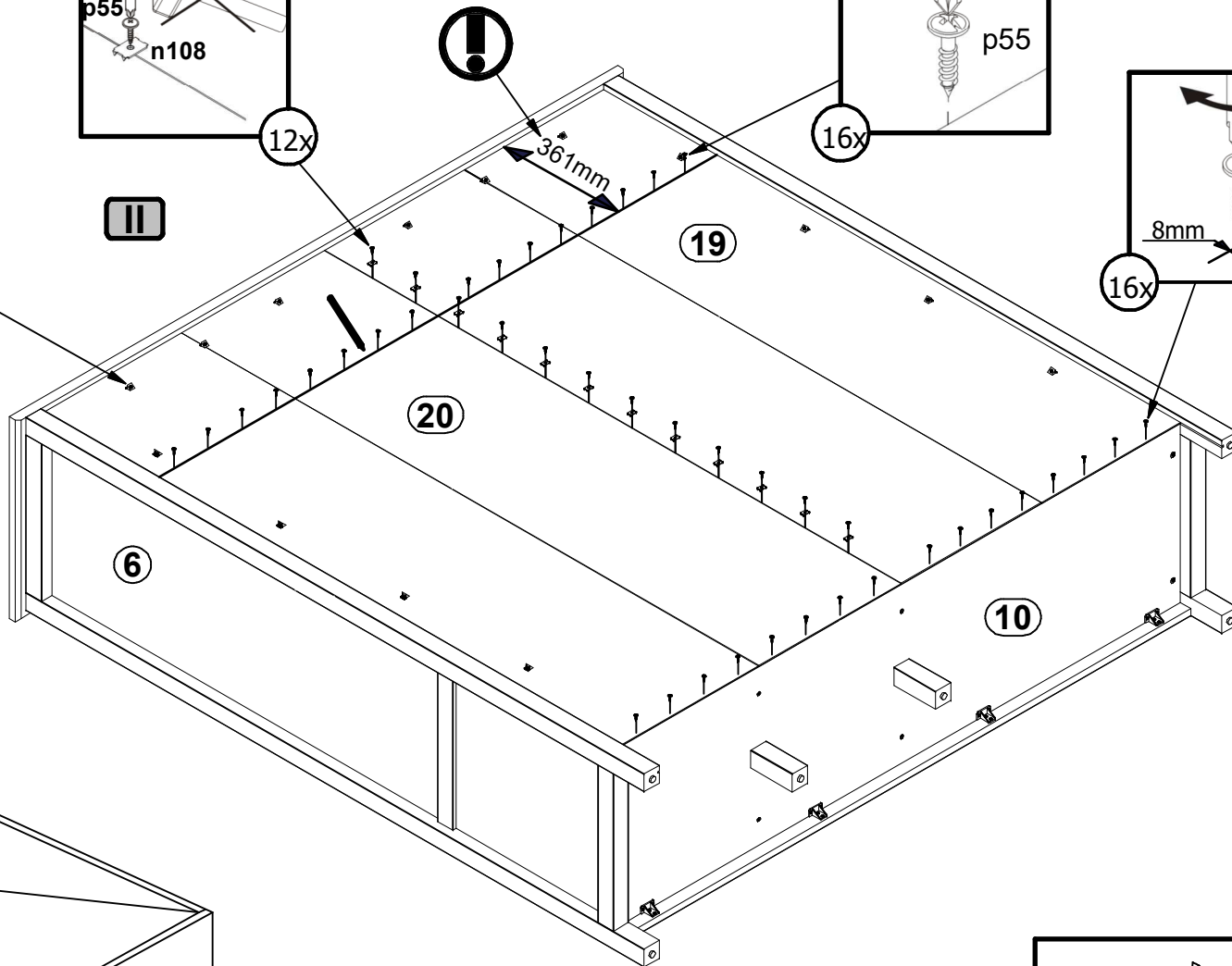
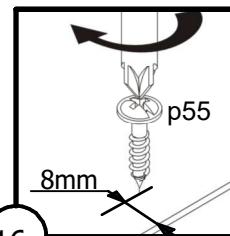
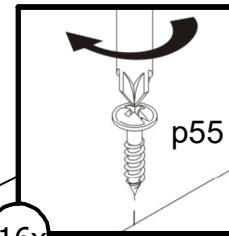
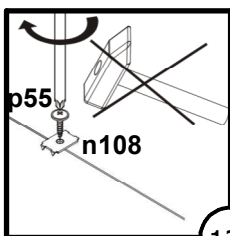
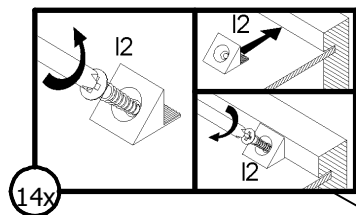
17



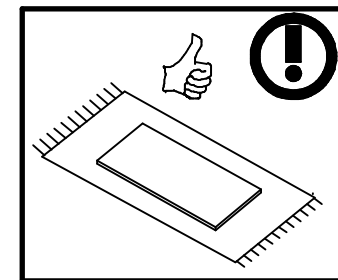
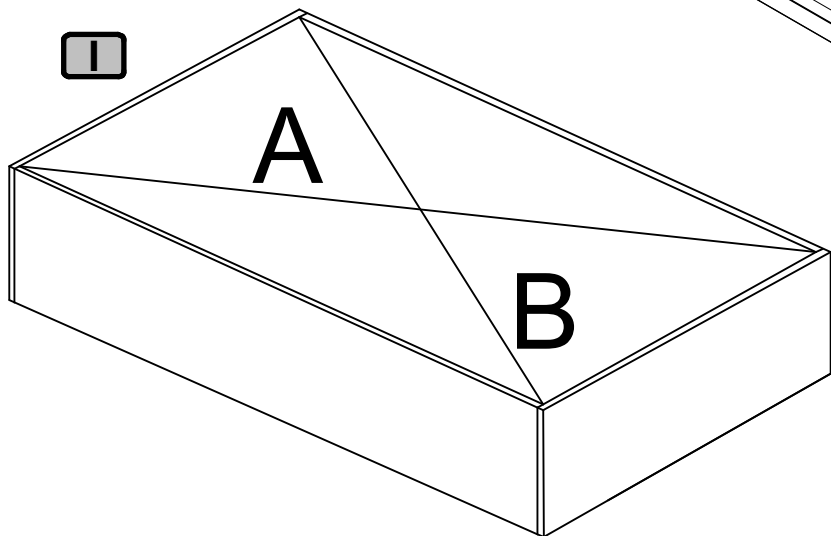
18

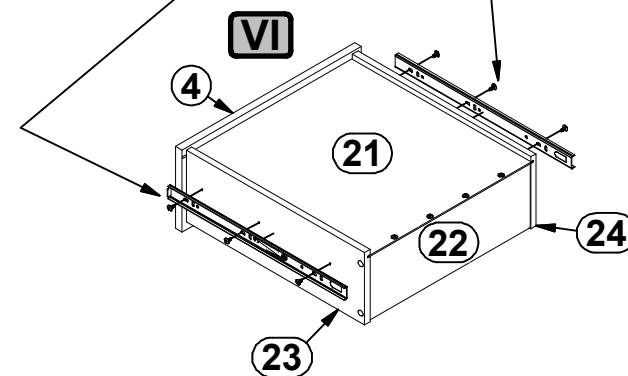
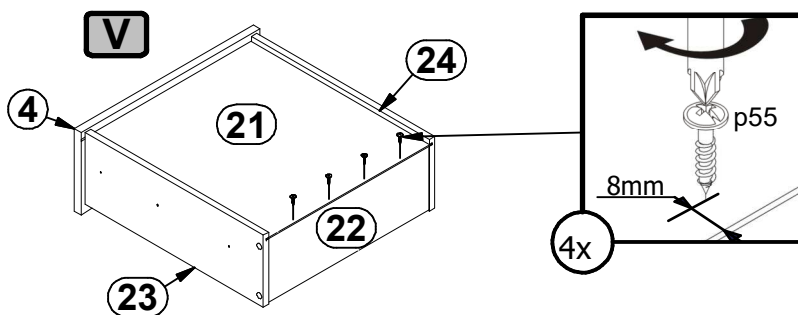
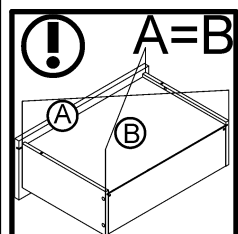
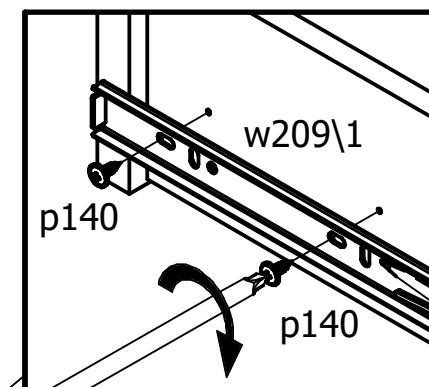
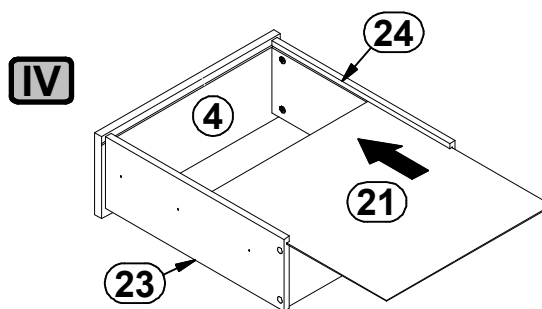
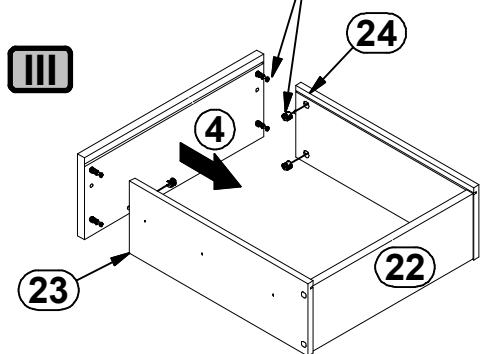
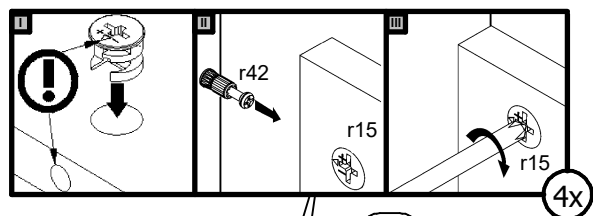
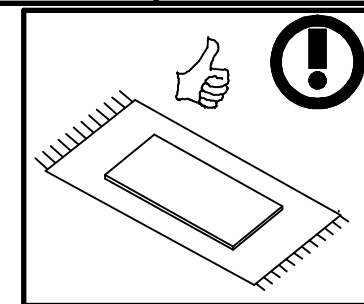
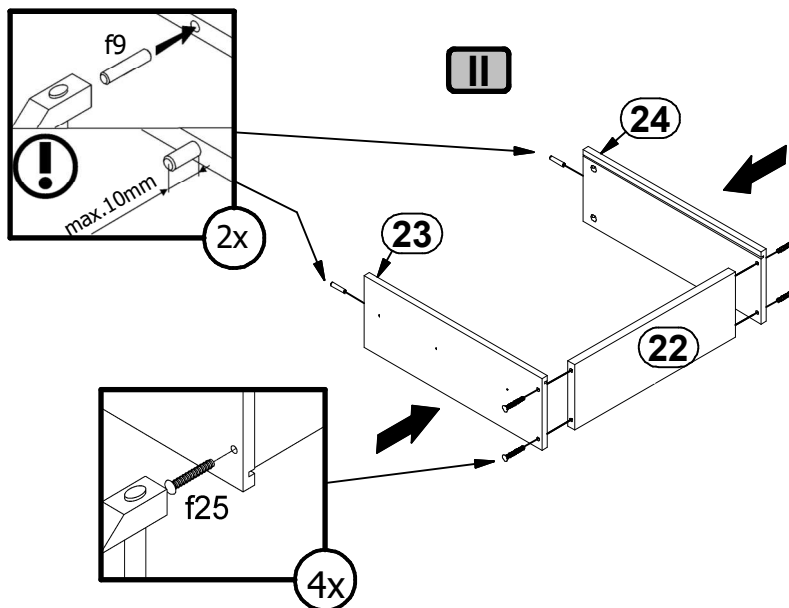
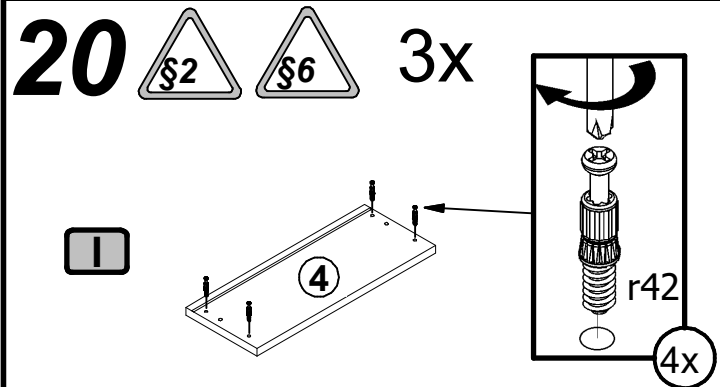


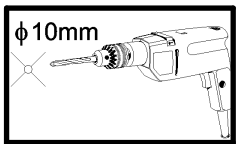
19



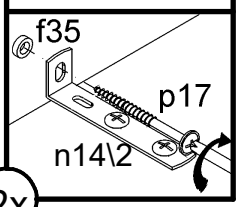
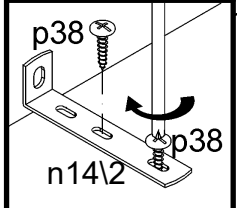
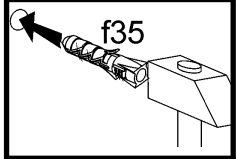
A=B



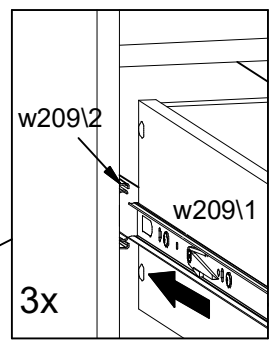
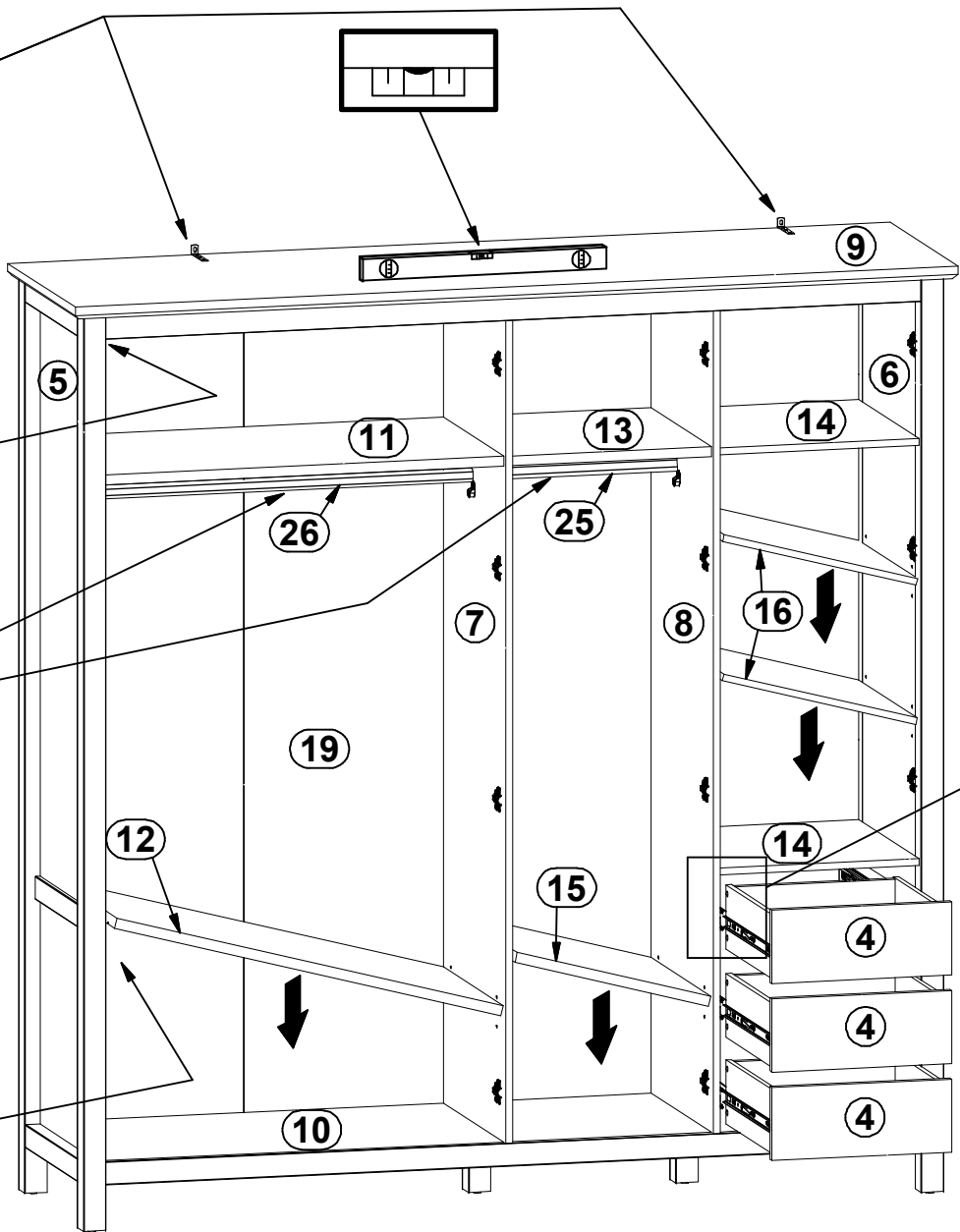
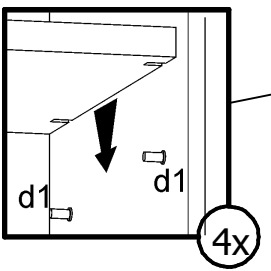
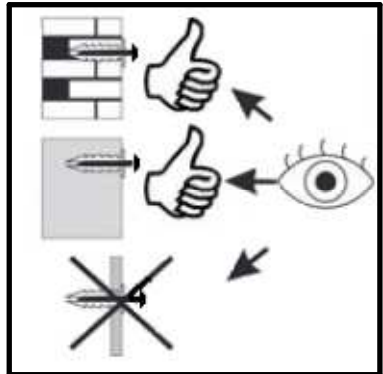
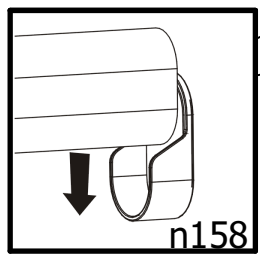
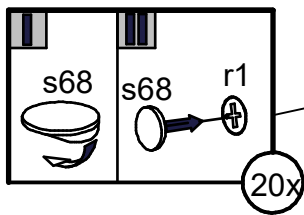




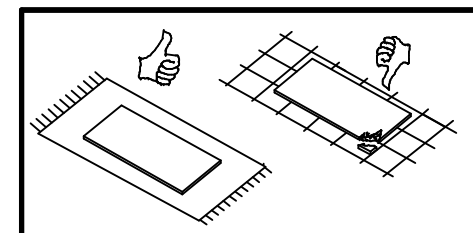
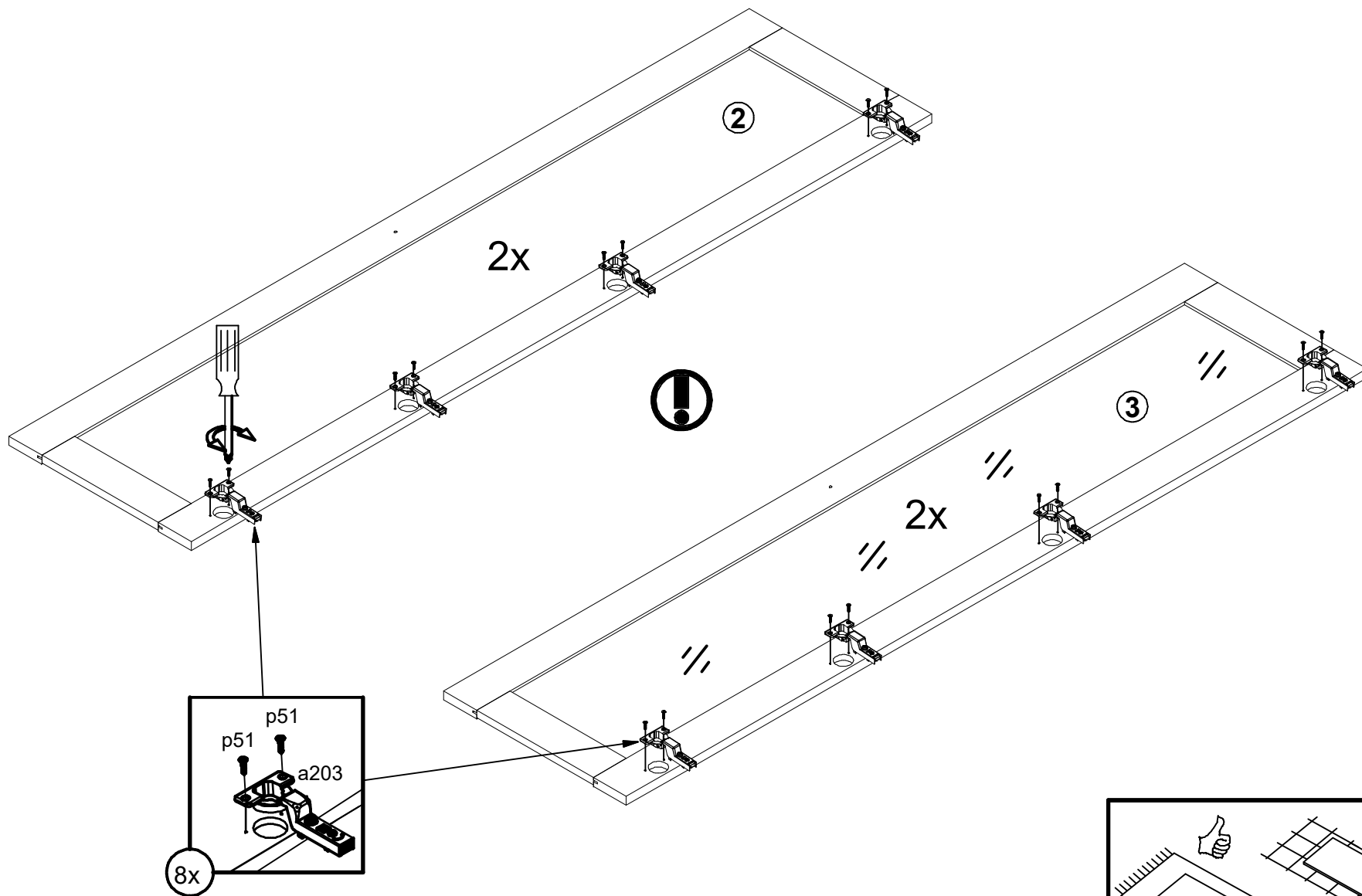
21



2x



22



23

