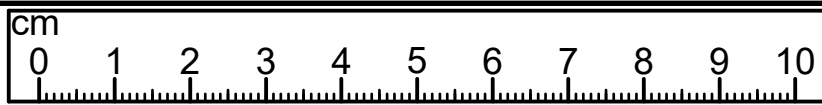
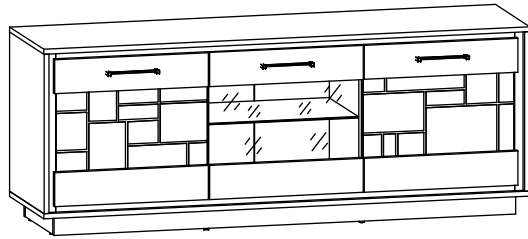
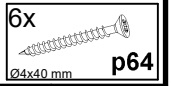
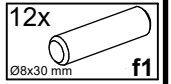
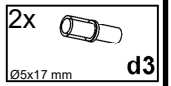
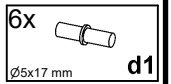
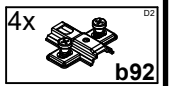
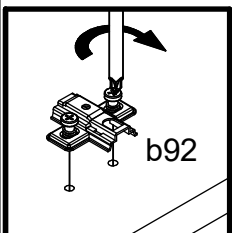
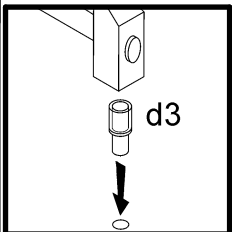
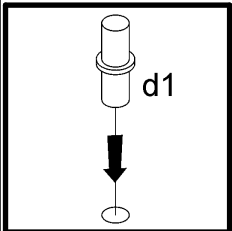
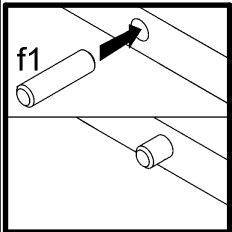
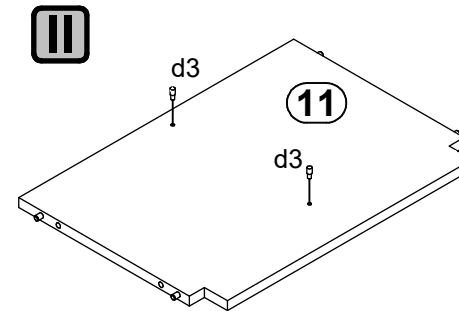
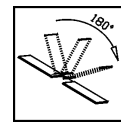
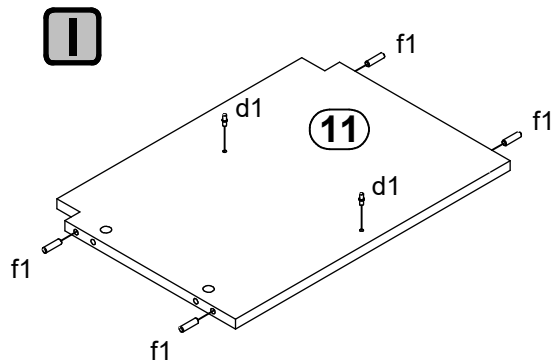
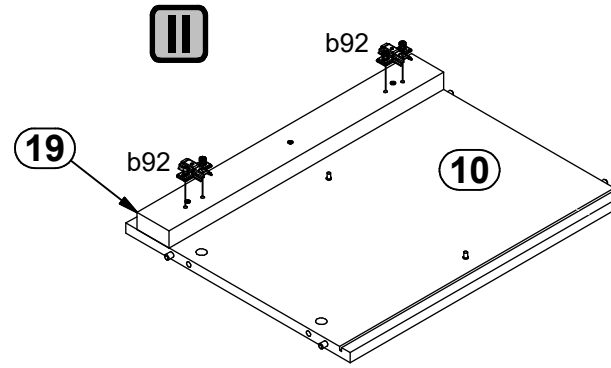
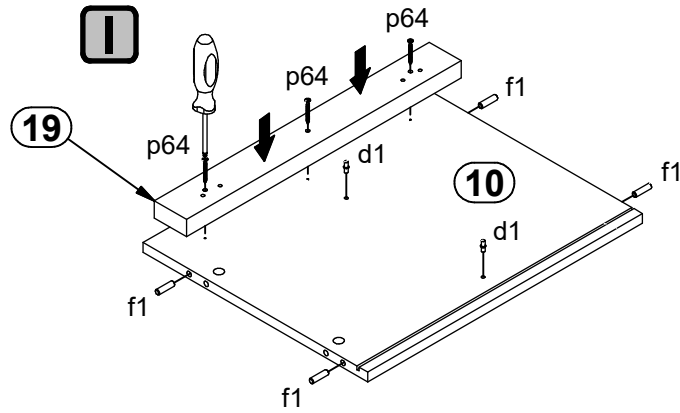
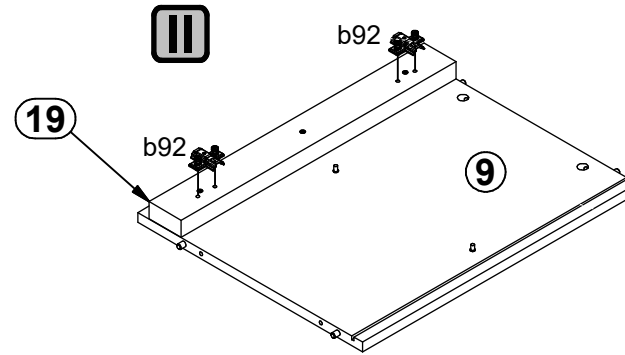
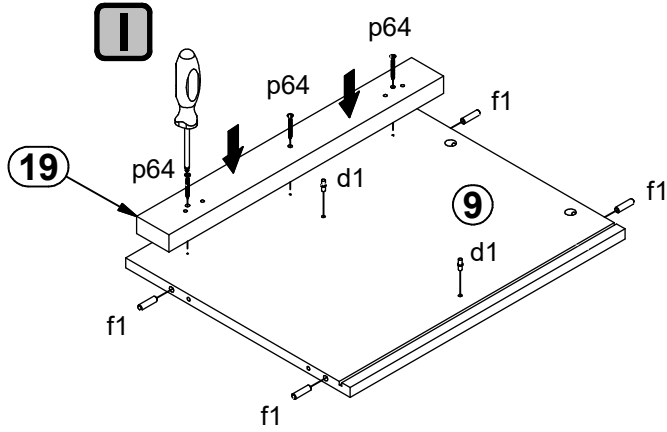


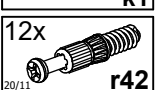
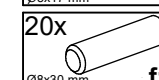
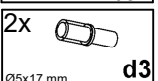
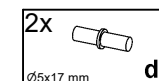
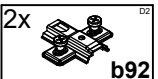
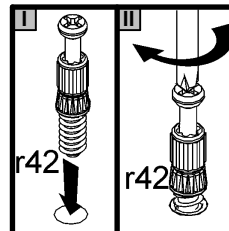
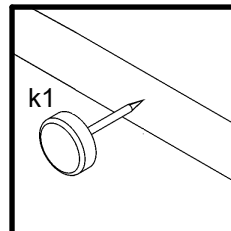
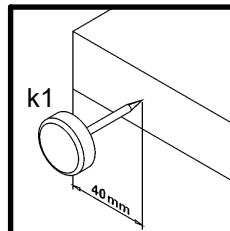
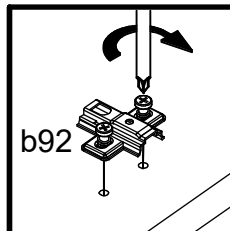
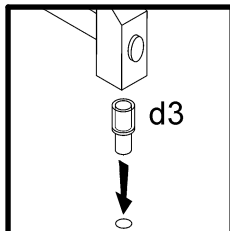
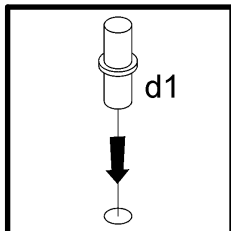
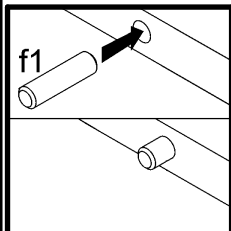
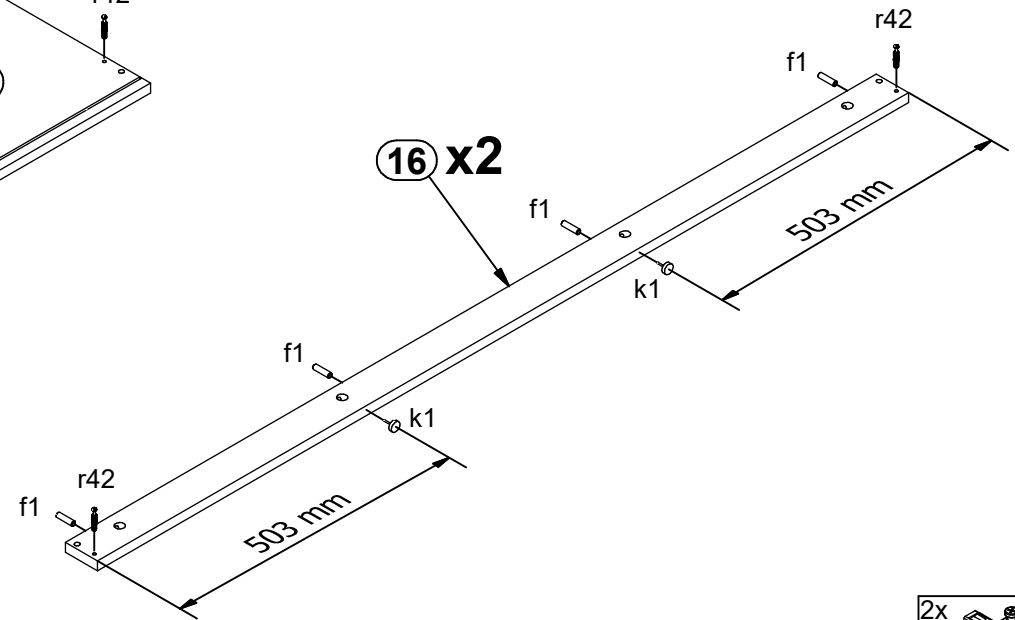
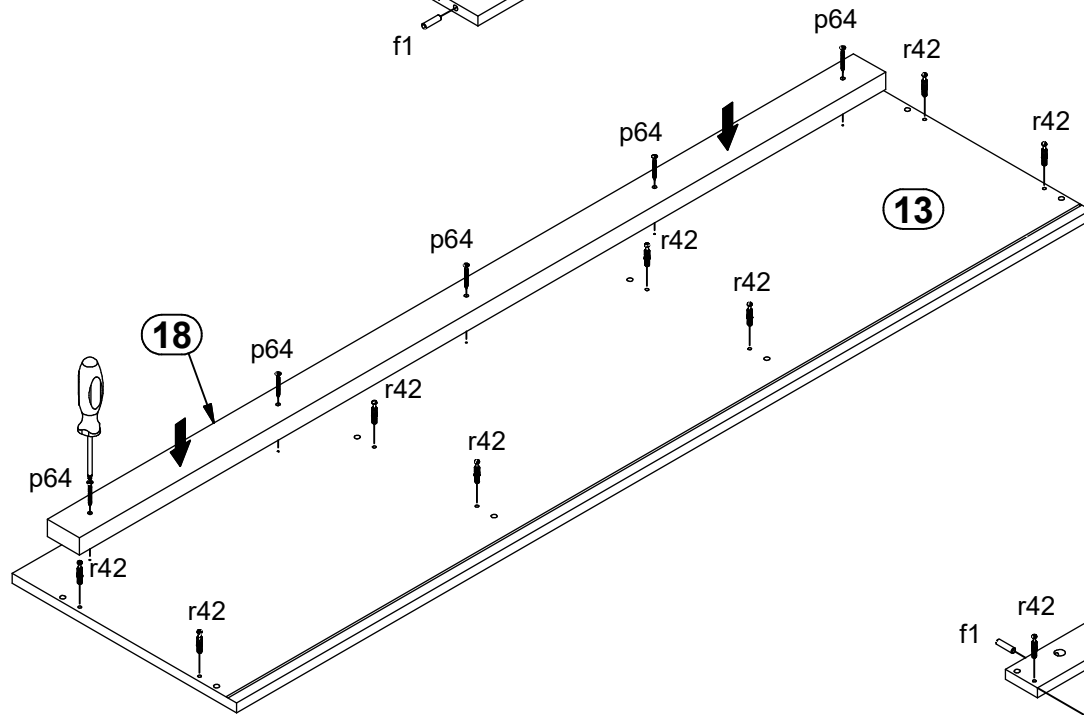
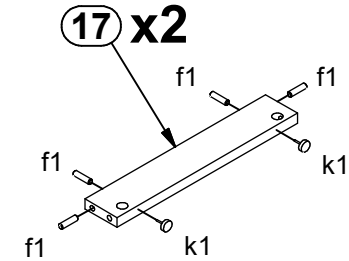
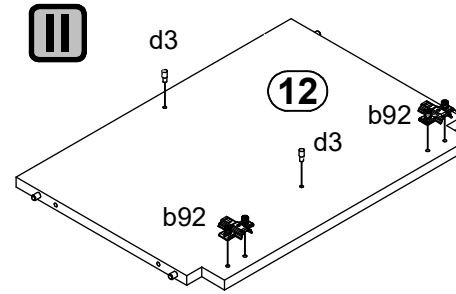
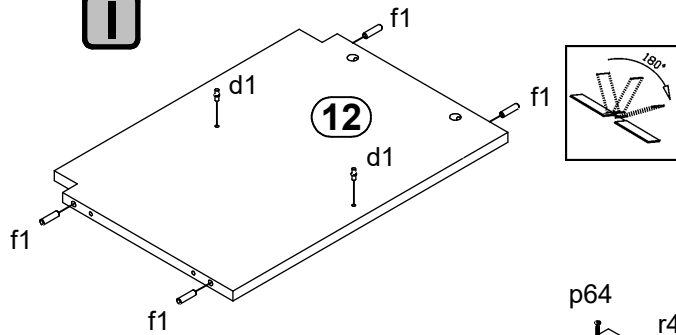
A	B	C (mm)			D
1	S605-0009	495	304	16	1/2
2	S605-0012	505	110	16	1/2
3	S605-0014	505	110	16	1/2
4	S605-0015	505	110	16	1/2
5	S605-0018	505	110	16	1/2
6	S605-0019	505	110	16	1/2
7	S605-0020	505	110	16	1/2
8	S605-0039	495	304	16	1/2
9	S605-1016	514	420	16	1/2
10	S605-1017	514	420	16	1/2
11	S605-1018	514	362	16	1/2
12	S605-1019	514	362	16	1/2
13	S605-2001	1597	420	16	2/2
14	S605-2002	1597	420	16	2/2
15	S605-3008	518	318	16	2/2
16	S605-4003	1517	60	16	2/2
17	S605-4004	338	60	16	2/2
18	S605-4006	1508	60	28	2/2
19	S605-4010	514	60	28	2/2
20	S605-5001	492	363	4	1/2
21	S605-5504	505	304	4	1/2
22	S605-9305	524	531	2,5	2/2
23	S605-9306	524	513	2,5	2/2



D
1/2

3x a205	3x a212	6x b92	3x c559/3	8x d1 Ø5x17 mm	4x d3 Ø5x17 mm	8x e1 Ø7x50 mm	8x e47 Ø5x16 mm	32x f1 Ø8x30 mm	6x j30 M4x22 mm	8x k1	8x l2	1x n26
6x n108 22x9,5x20,7 mm	8x o54 Ø5,3/Ø8,3x4,8 mm	1x p38 Ø3,5x16 mm	12x p51 Ø3,5x15 mm	6x p55 Ø2,9x16 mm	16x p64 Ø4x40 mm	16x p94 Ø4x28 mm	20x r1 Ø15x12 mm #16	20x r42 20/11	11x s59 Ø14x0,5 mm	8x s68 Ø 20mm	1x z1 4 mm	

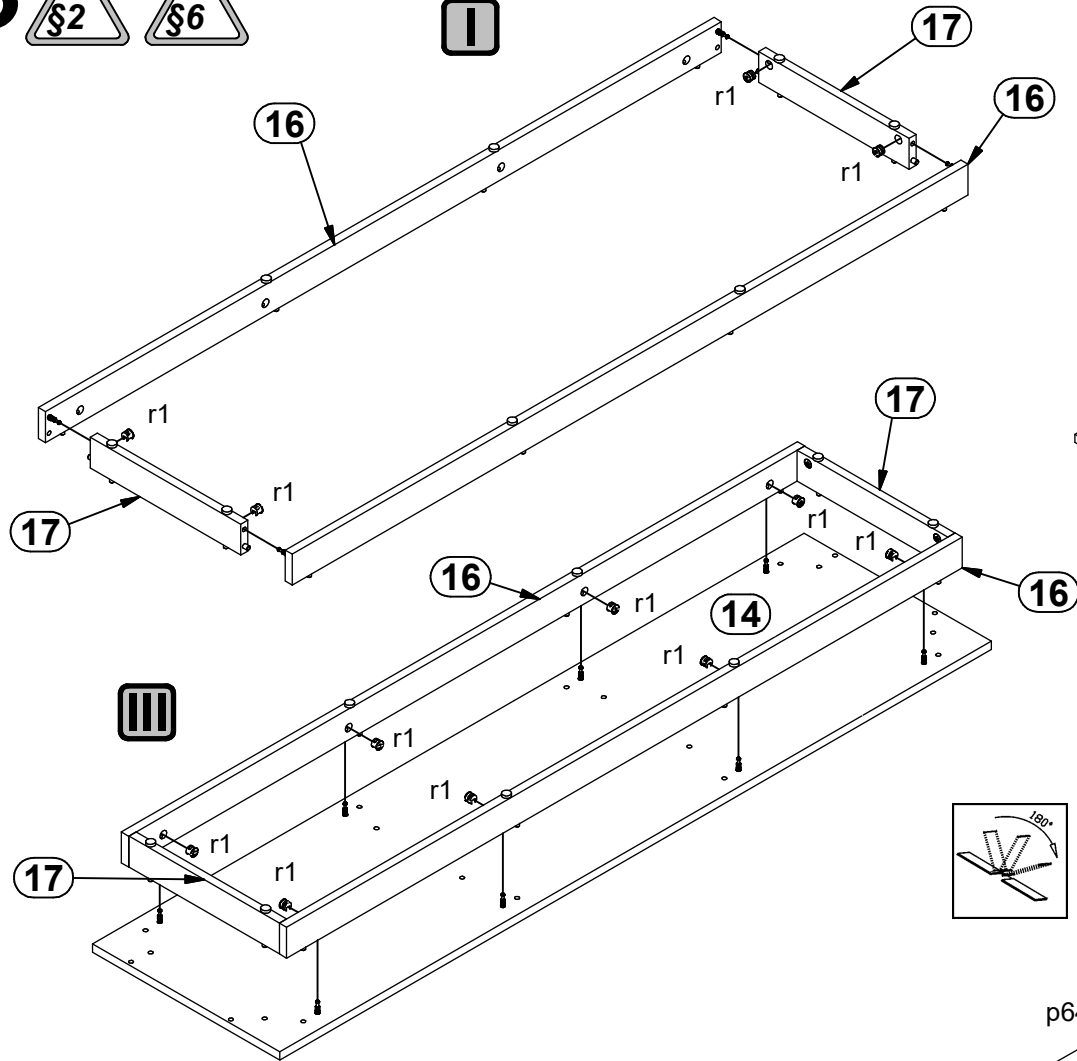




**3**  

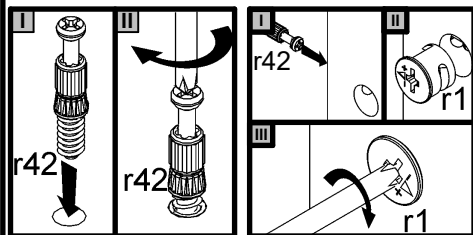
**I**

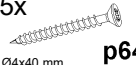


**II**



**III**

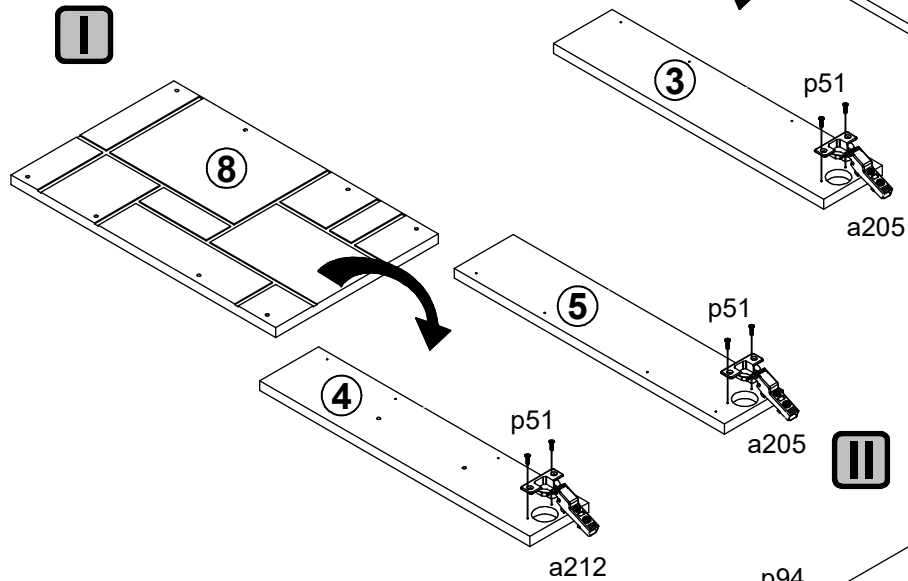
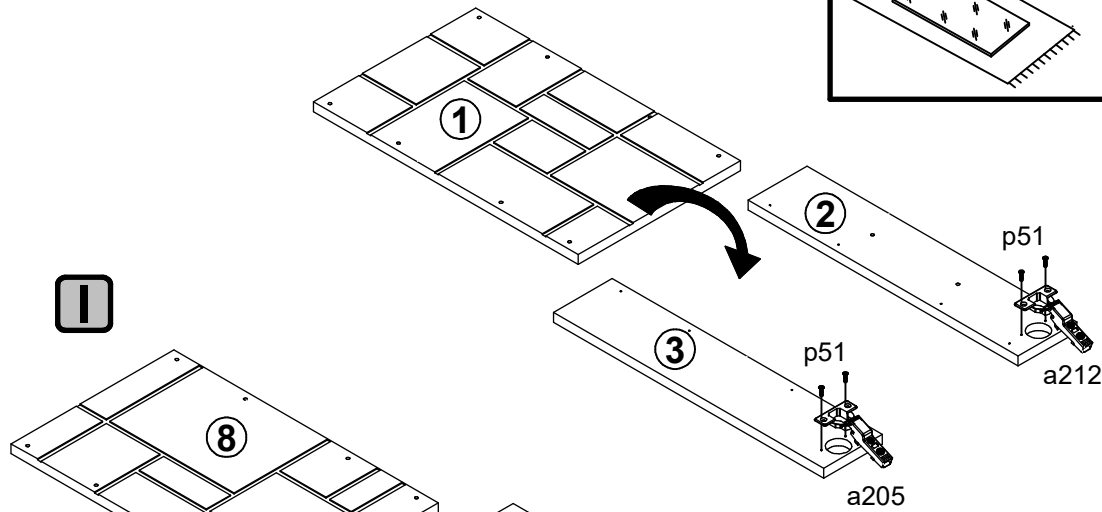
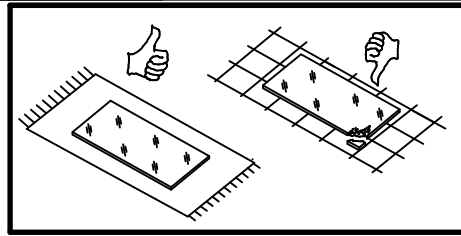
**IV**



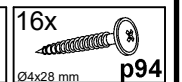
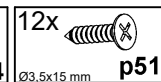
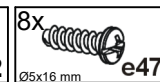
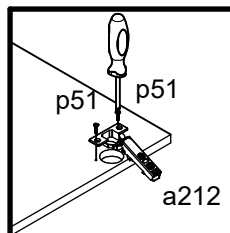
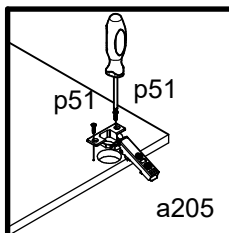
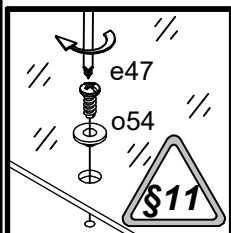
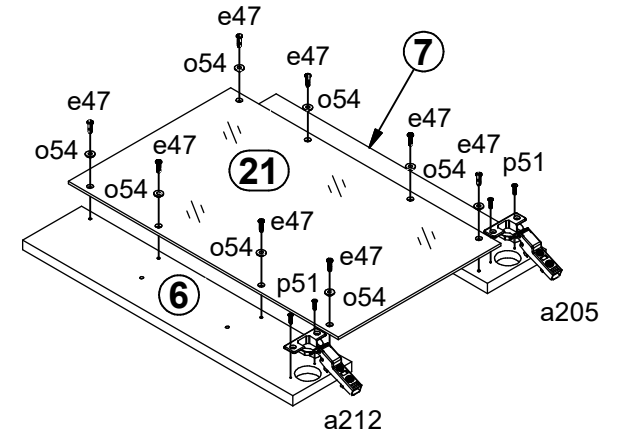
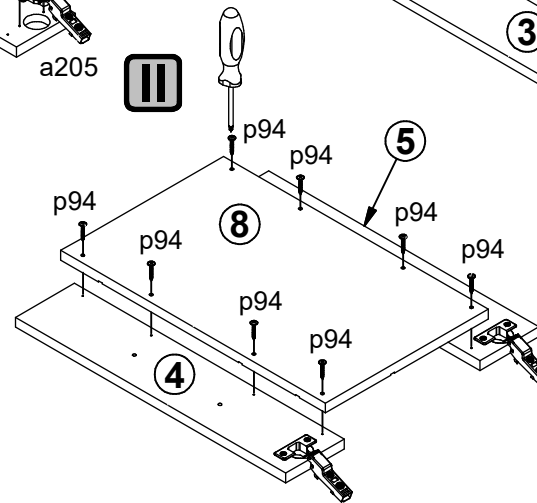
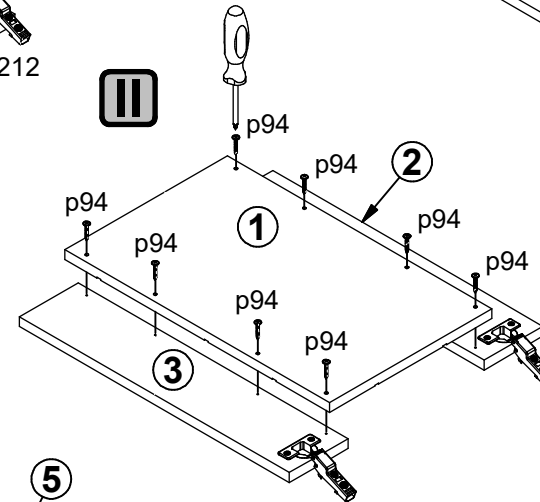
5x  Ø4x40 mm p64	12x  Ø15x12 mm #16 r1	8x  20/11 r42
---	--	--

4  

I



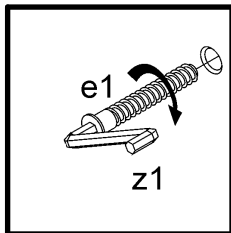
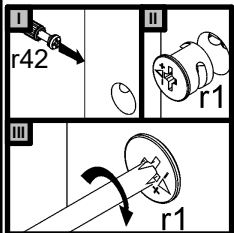
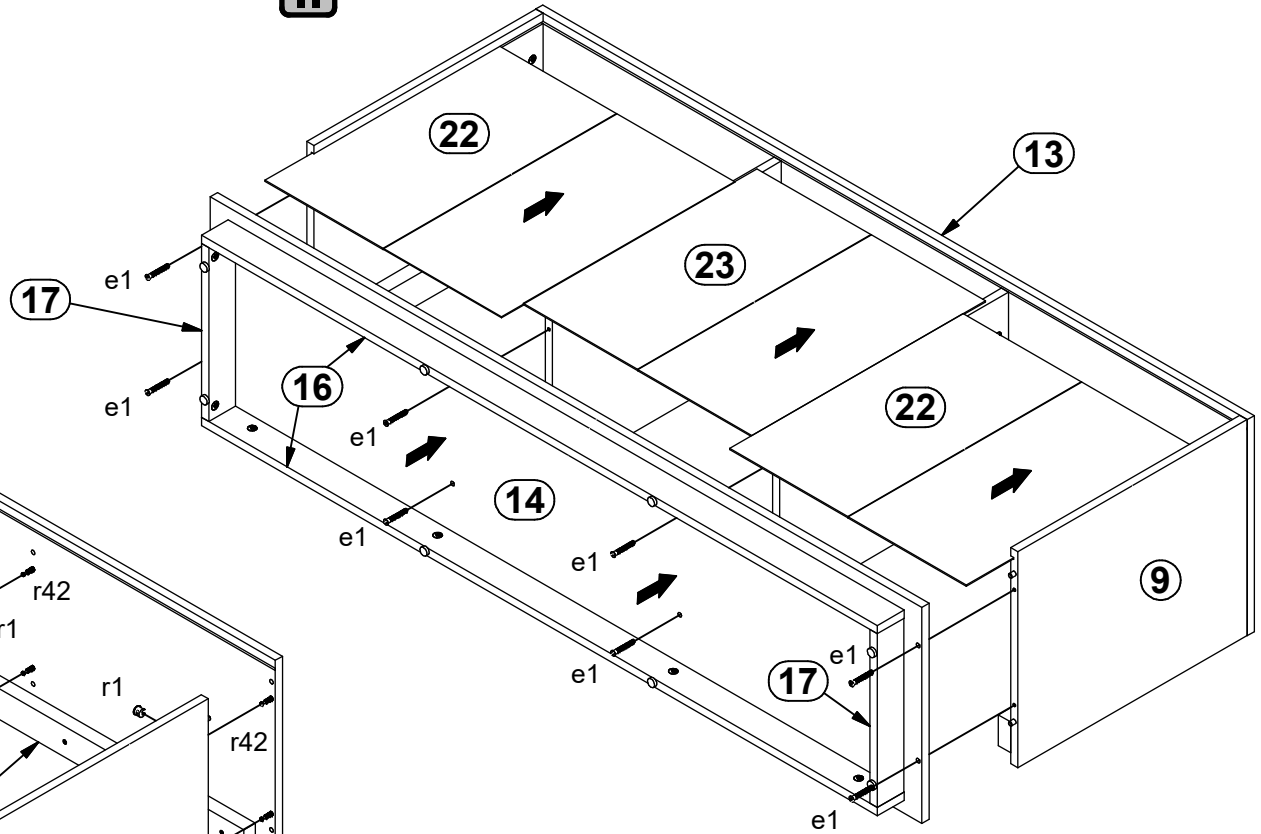
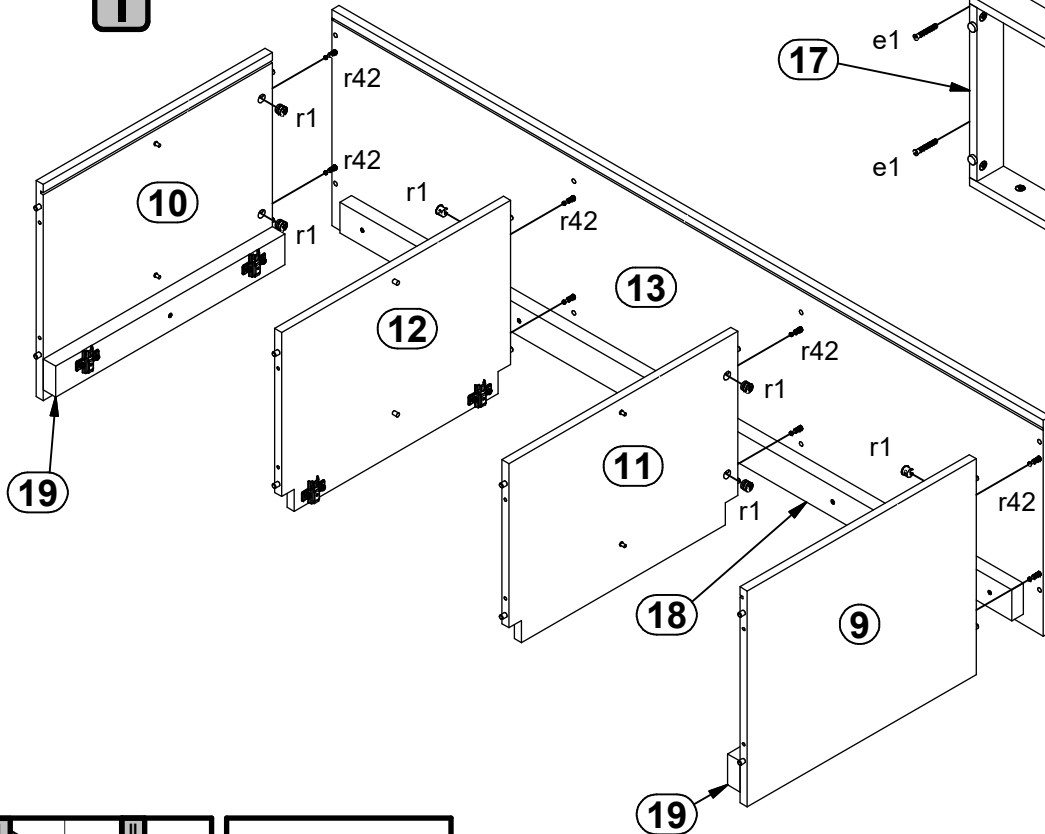
II






5 

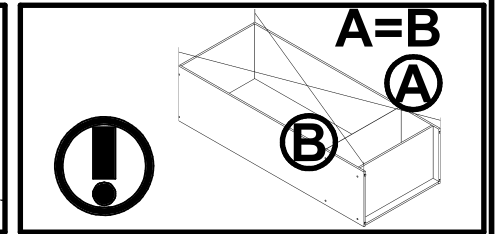
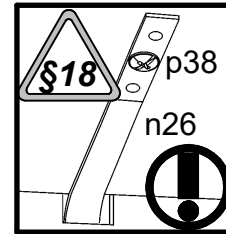
III

I



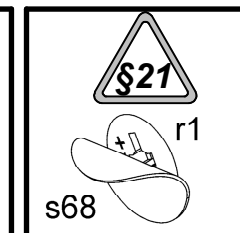
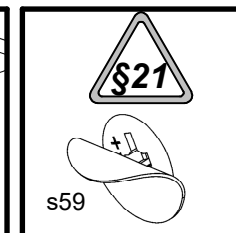
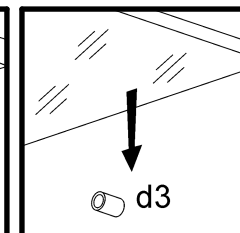
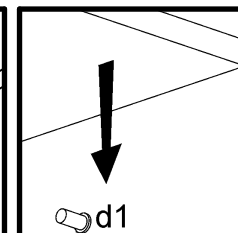
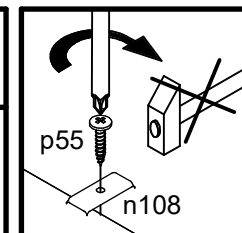
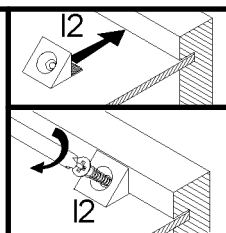
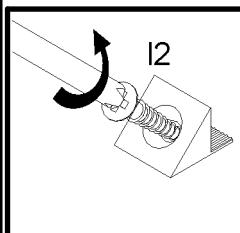
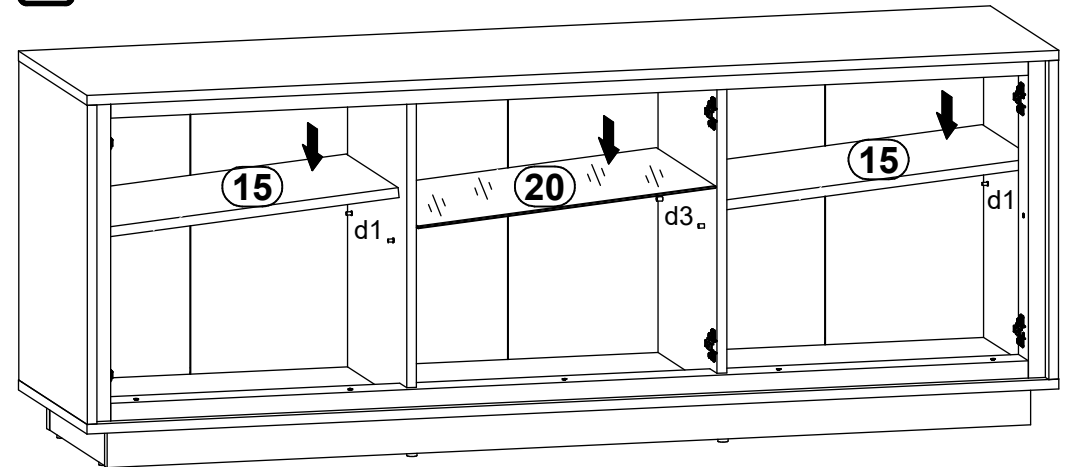
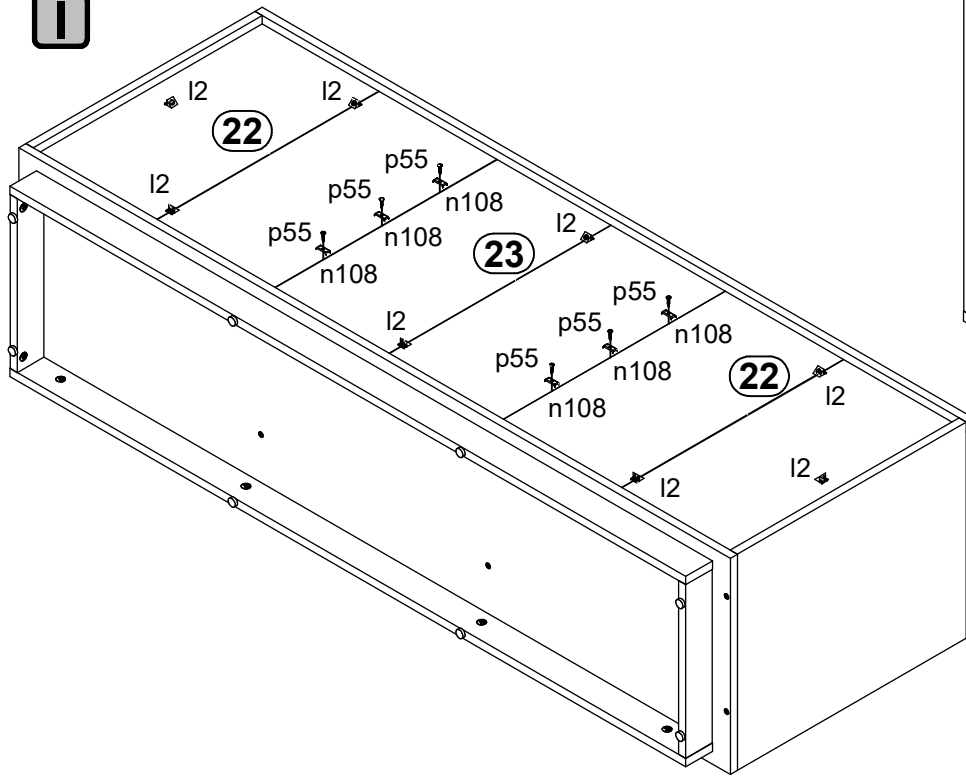
8x  Ø7x50 mm e1	8x  Ø15x12 mm #16 r1	1x  4 mm z1
---	--	---


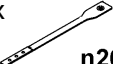

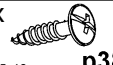
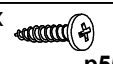


6 



II

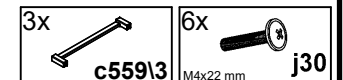
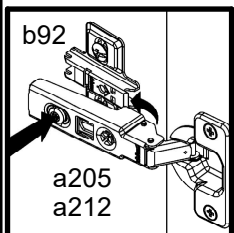
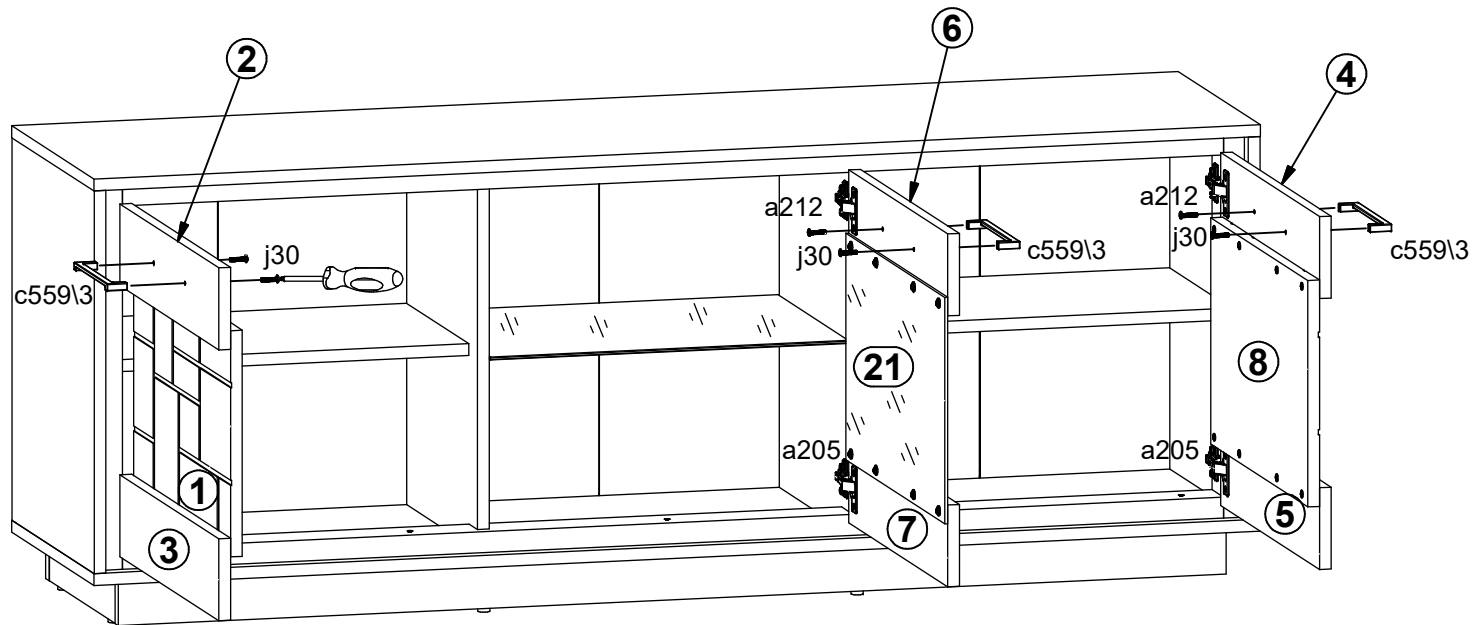
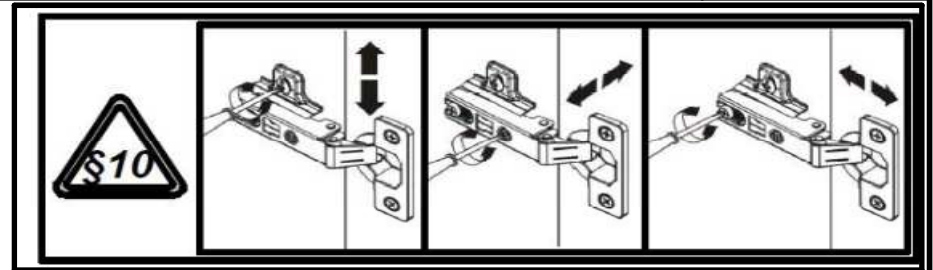
I



8x 	1x 
6x 	1x 
6x 	11x 
8x 	



7 



8

