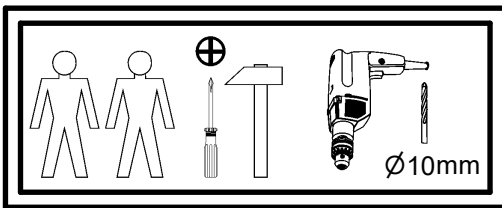
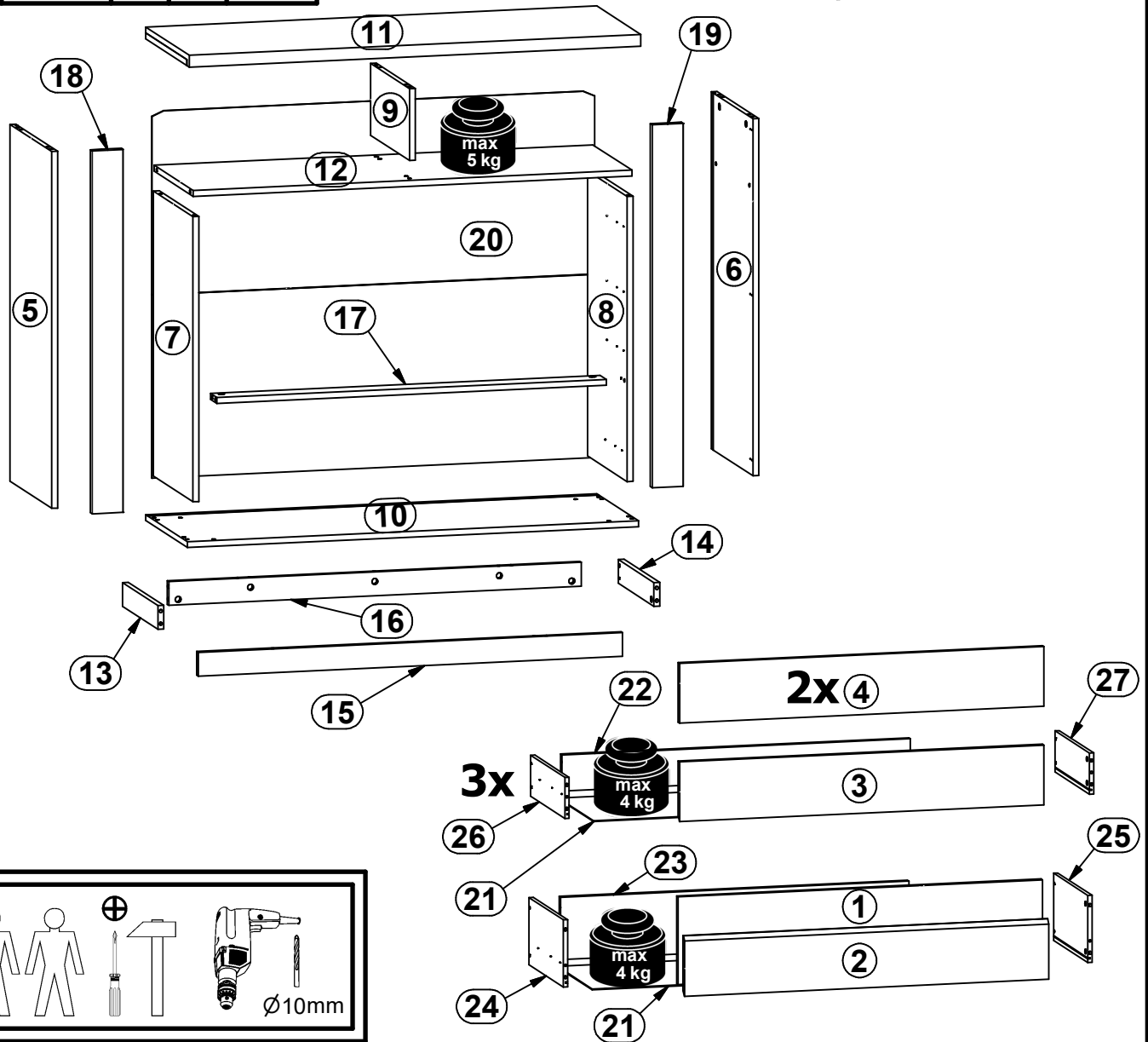
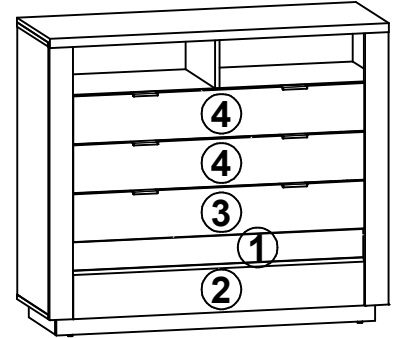
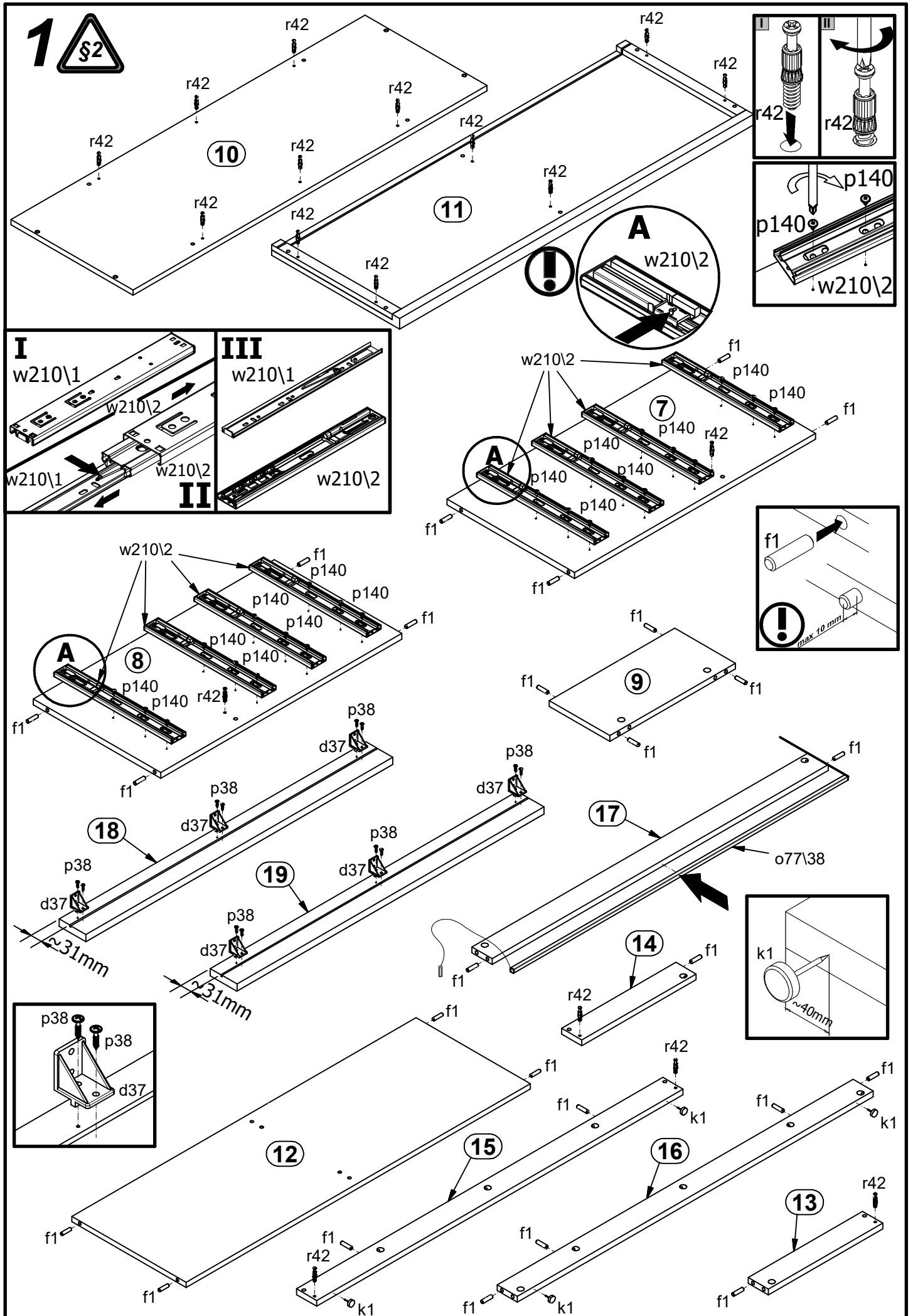


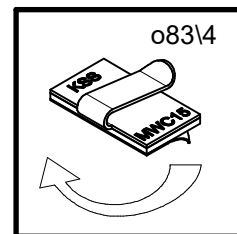
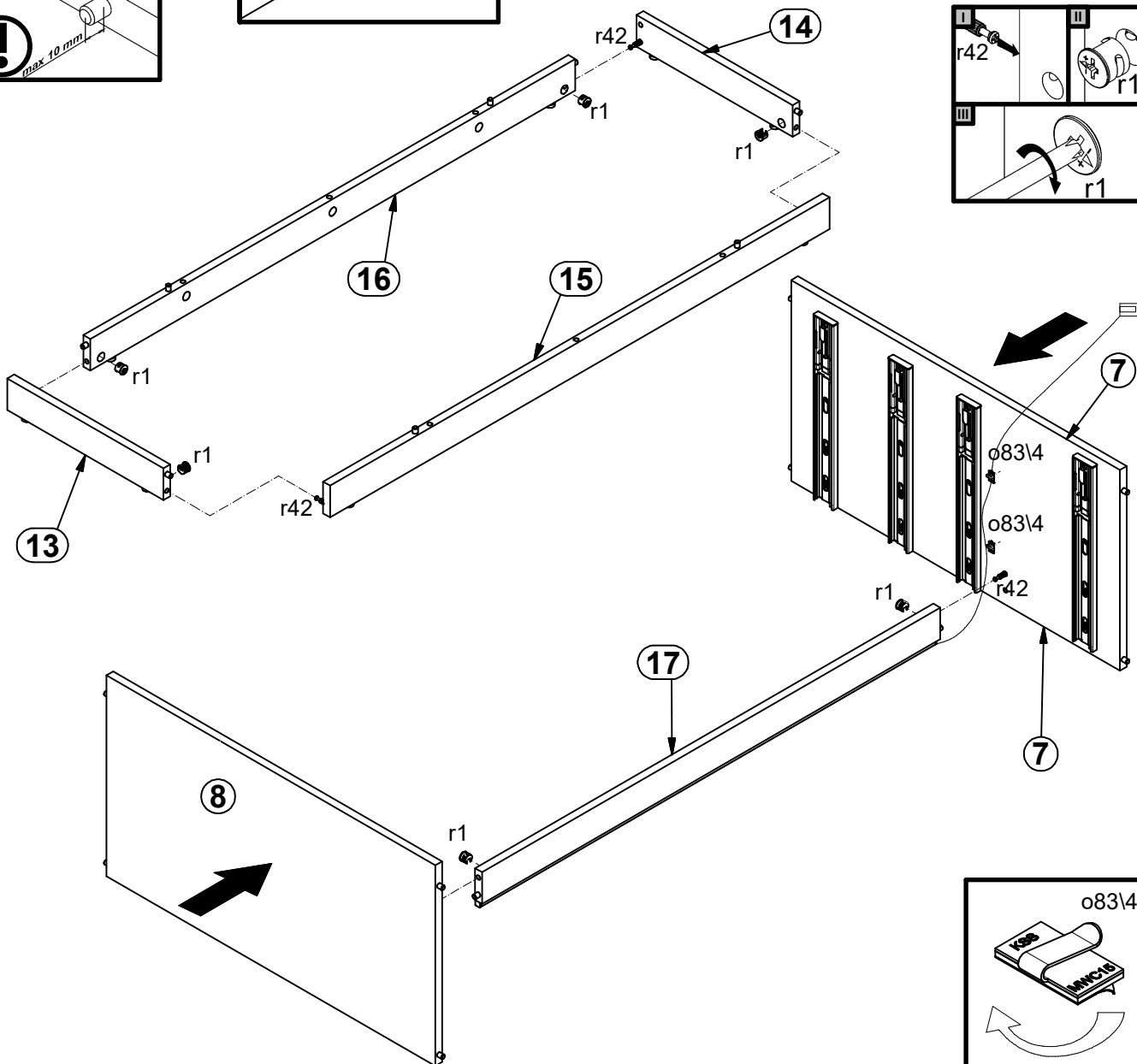
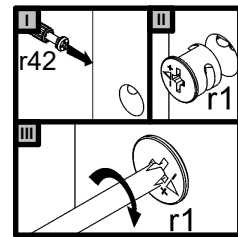
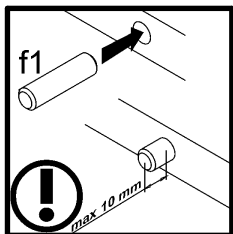
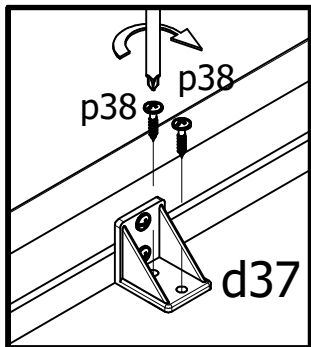
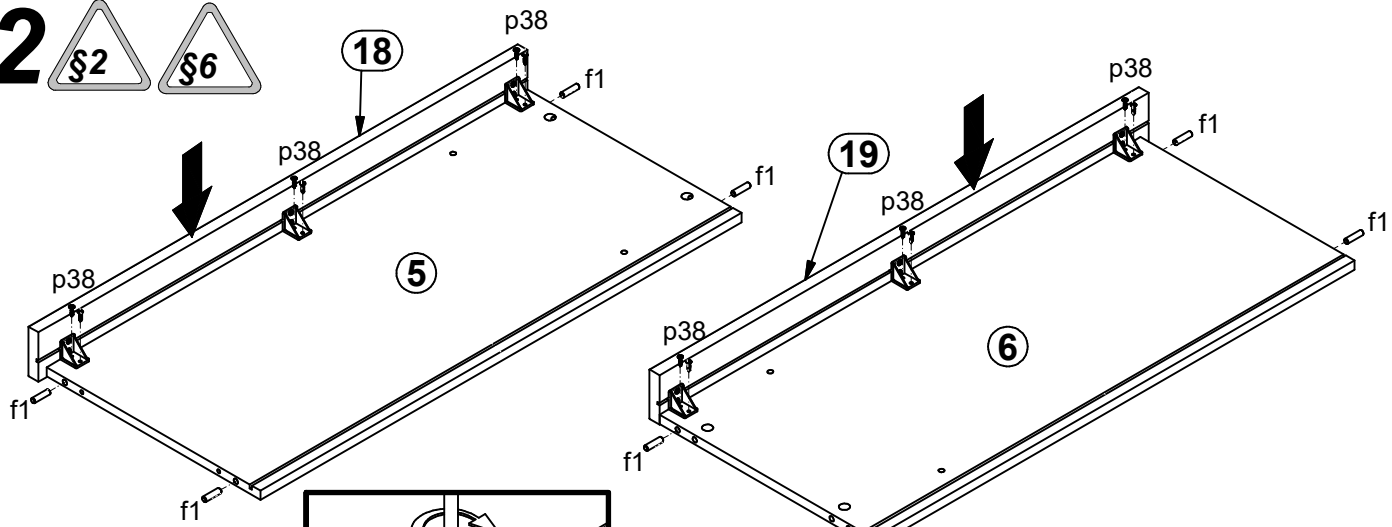
A	B	C	D	A	B	C	D		
1	S467-0001	996	235	2/2	15	S467-4003	1092	60	2/2
2	S467-0002	996	160	2/2	16	S467-4004	1061	60	2/2
3	S467-0003	996	160	2/2	17	S467-4005	1002	60	2/2
4	S467-0004	996	160	2/2	18	S467-5001	915	80	1/2
5	S467-1045	900	400	1/2	19	S467-5002	915	80	1/2
6	S467-1046	900	400	1/2	20	S467-9310	925	1139	2/2
7	S467-1047	719	380	1/2	21	S467-9001	963	357	1/2
8	S467-1048	719	380	1/2	22	ZK3-5101	952	97	2/2
9	S467-1049	181	374	1/2	23	ZK3-5102	952	167	2/2
10	S467-2002	1161	400	2/2	24	ZK4-503	350	180	1/2
11	S467-2020	1161	420	2/2	25	ZK4-504	350	180	1/2
12	S467-3019	1129	375	2/2	26	ZK4-523	350	110	1/2
13	S467-4001	341	60	2/2	27	ZK4-524	350	110	1/2
14	S467-4002	341	60	2/2					



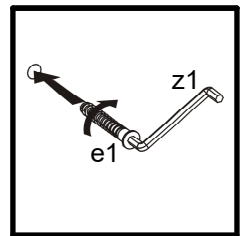
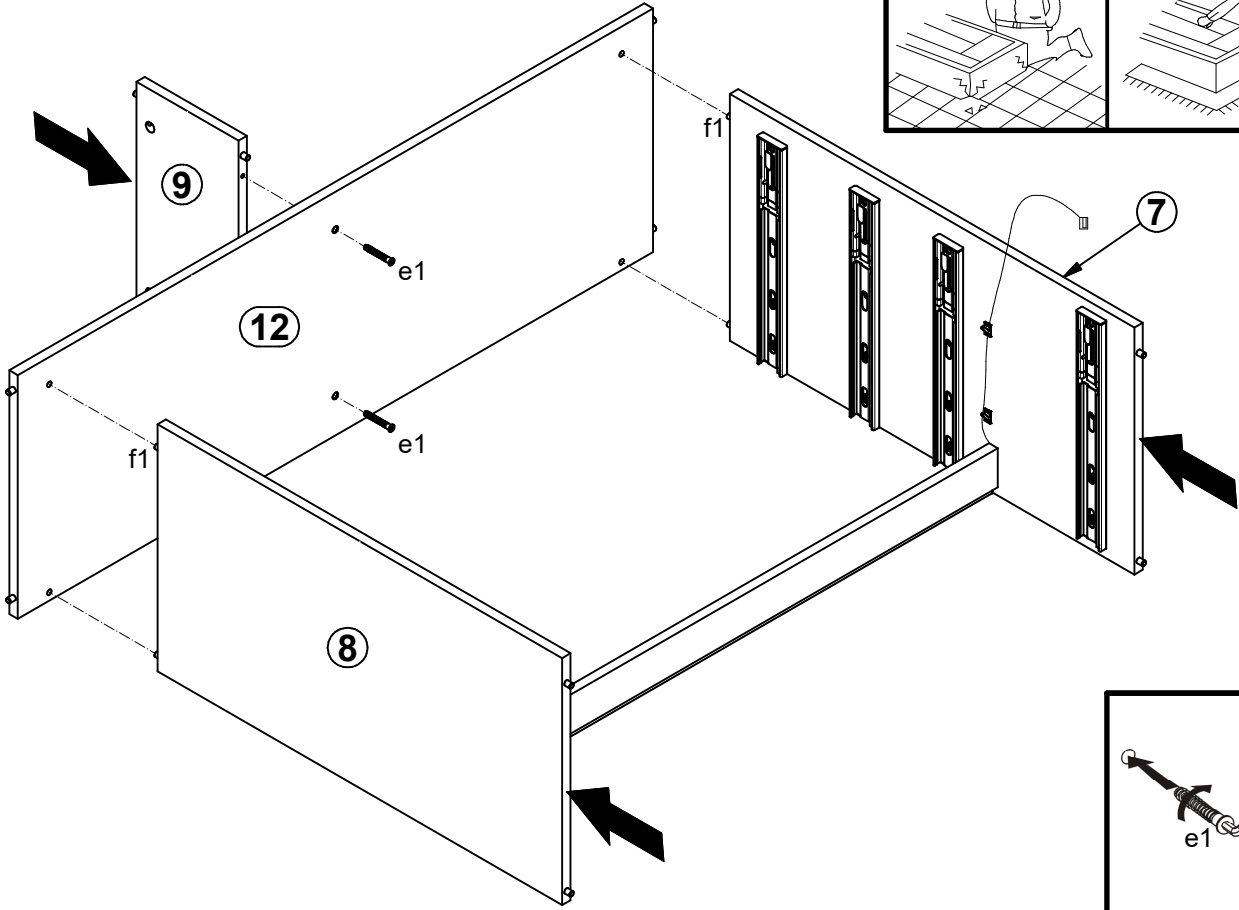
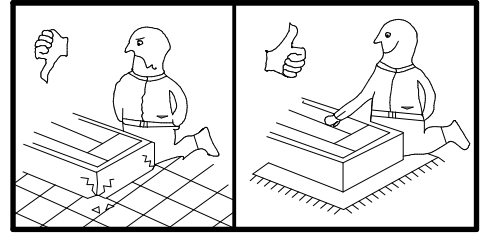
6x 64 mm c485	6x d37	6x Ø7x50 mm e1	34x Ø8x30 mm f1	8x Ø6x30 mm f9	16x Ø6,5x40 mm f25	4x k1	10x l2	12x Ø3,5x13 mm p1
8x Ø3,5x16 mm p25	8x Ø3,5x10 mm p35	48x Ø3,5x16 mm p38	8x Ø4x28 mm p94	48x Ø3,5x12 mm p140	18x Ø15x12 mm #16 r1	16x Ø12x10,5 mm #12 r15	34x 20/11 r42	8x 350 mm t35
8x w210\1	8x L-350 mm w210\2	1x 4 mm z1	1x 10x10 mm L=995 mm o77\38	2x 10x18 mm o83\4	1x 6W o70\9	6x Ø 20mm s68	1x n26	1x Ø3,5x16 mm p38



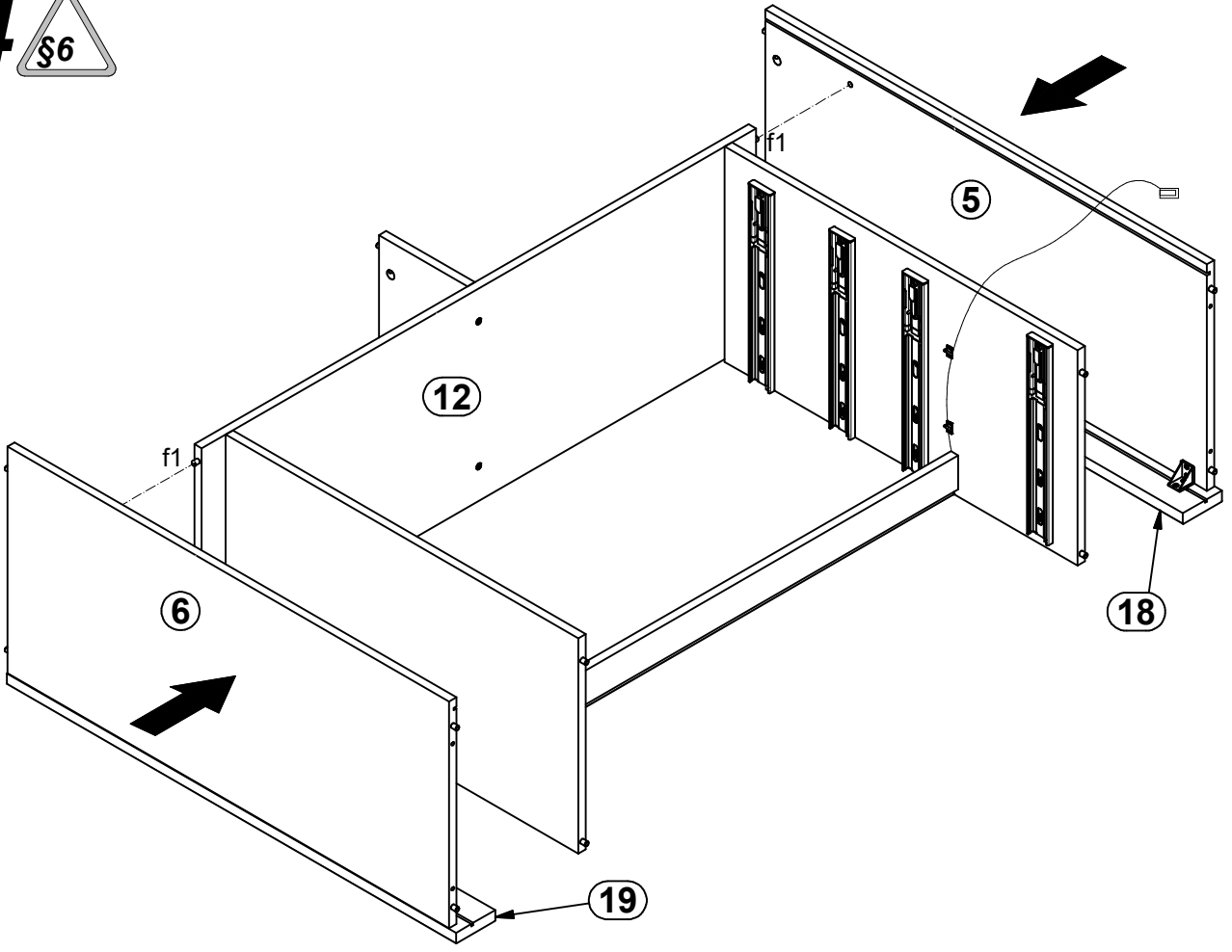
2  



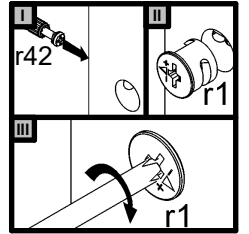
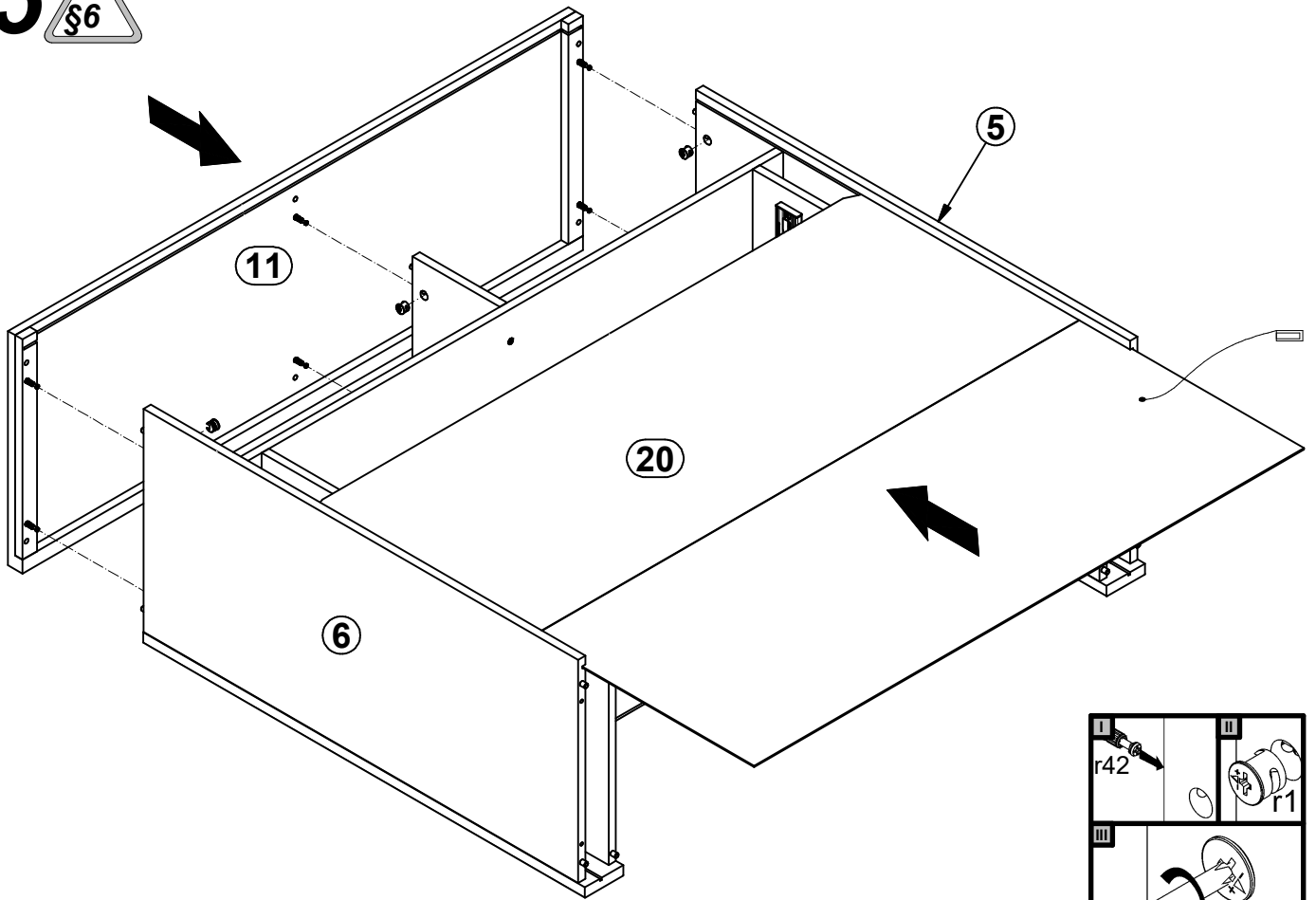
**3** §6



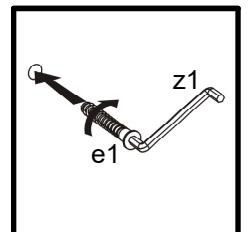
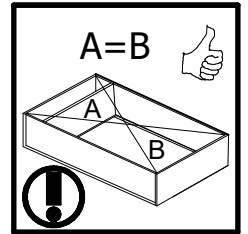
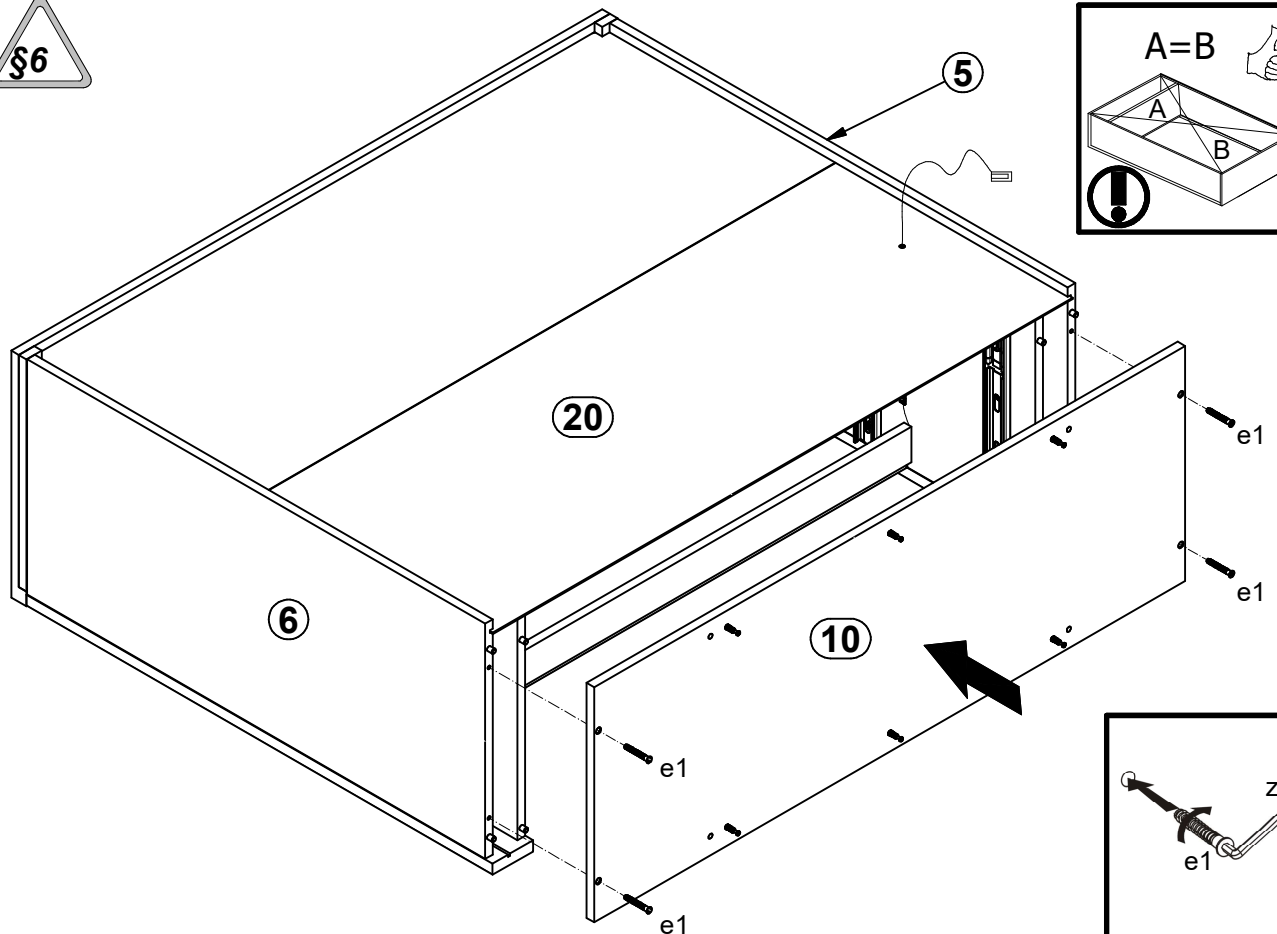
**4** §6

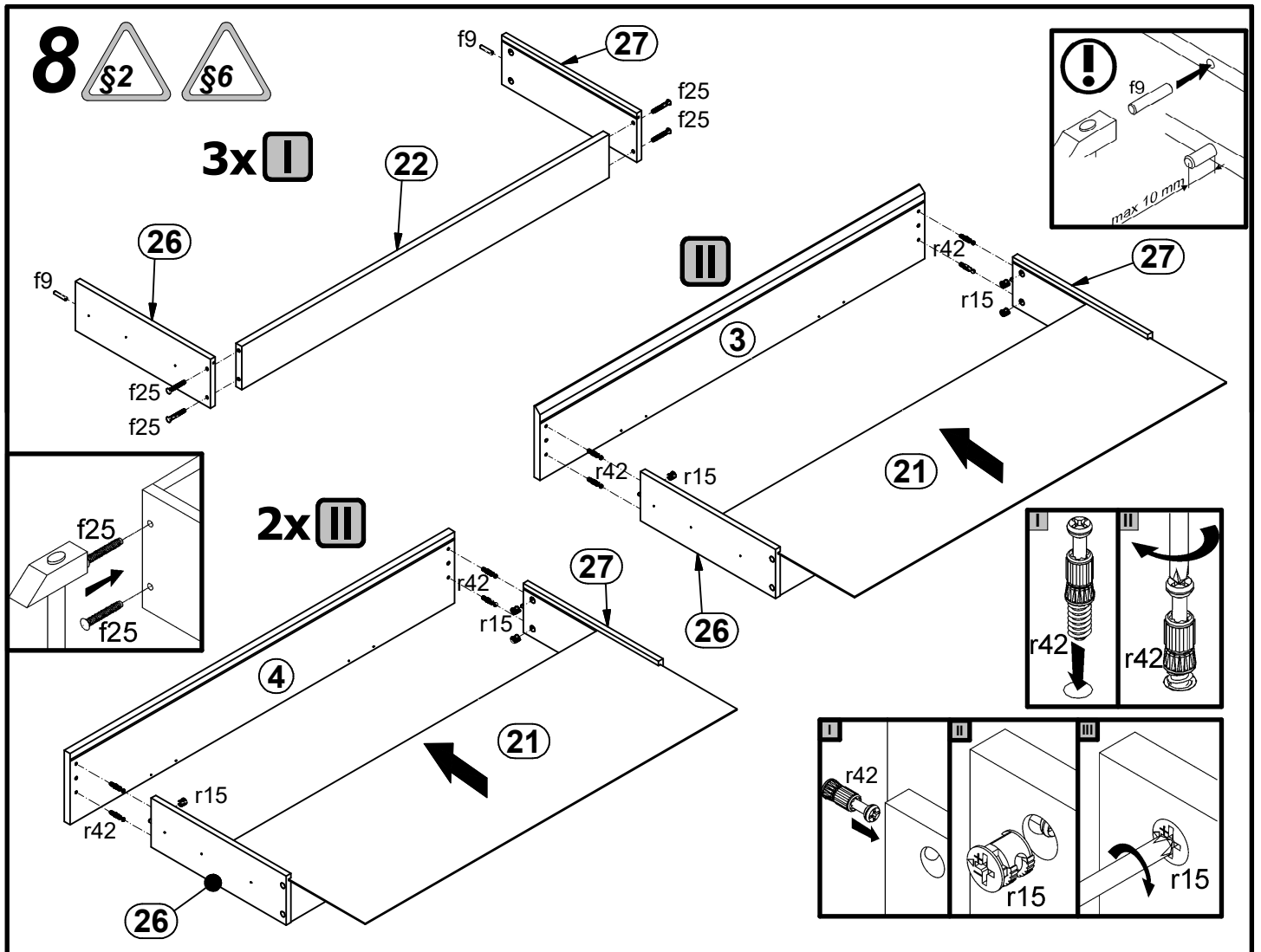
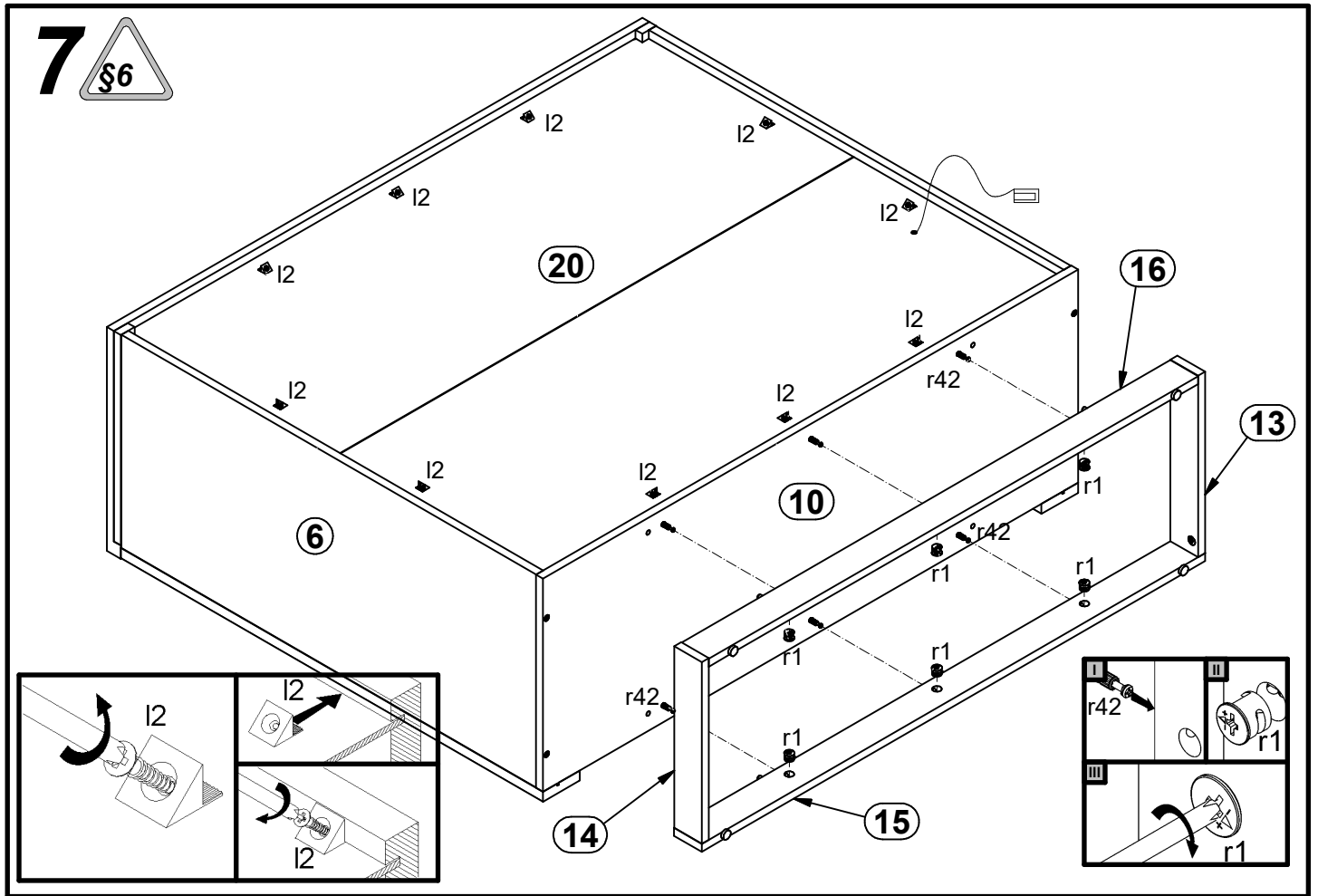


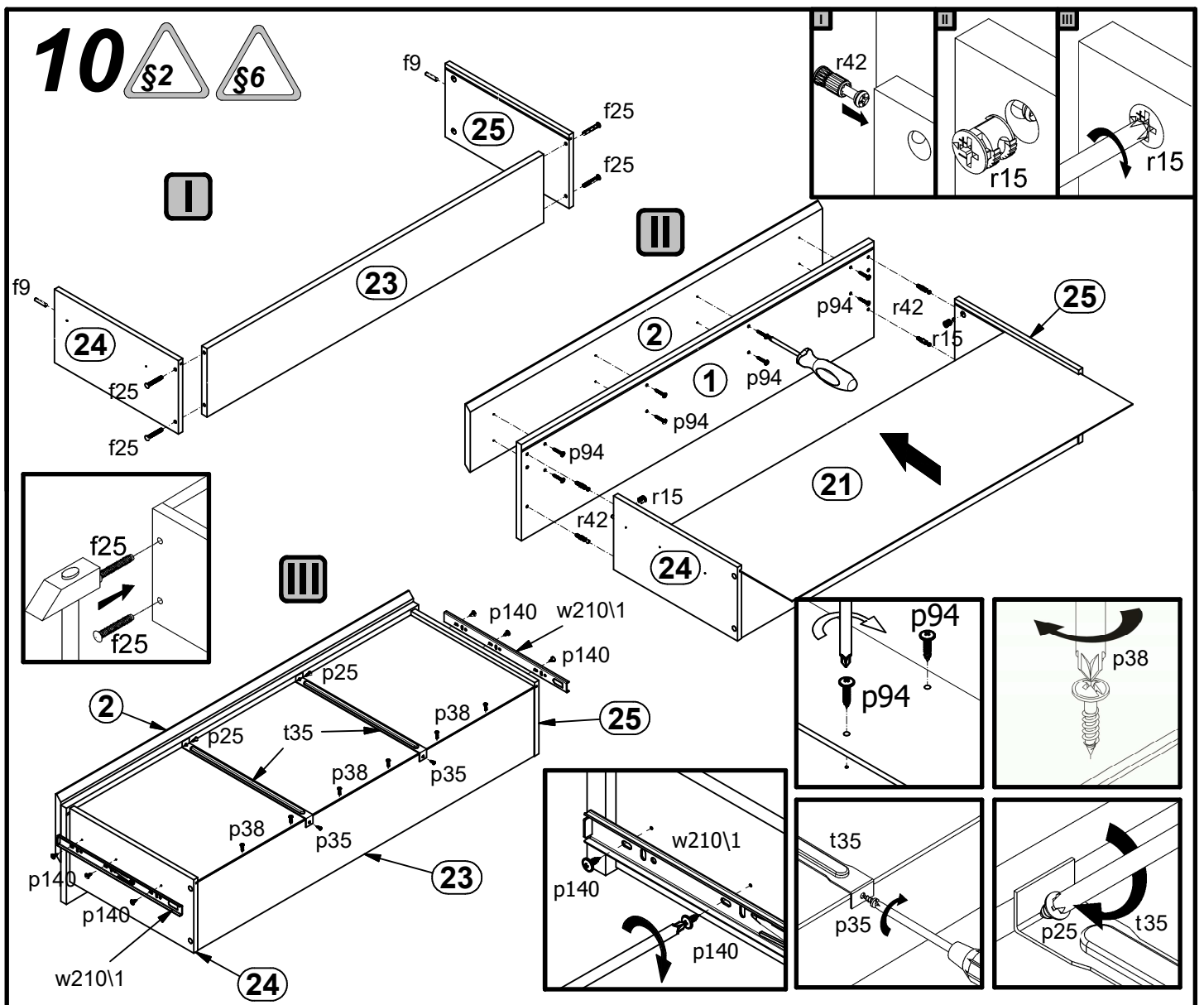
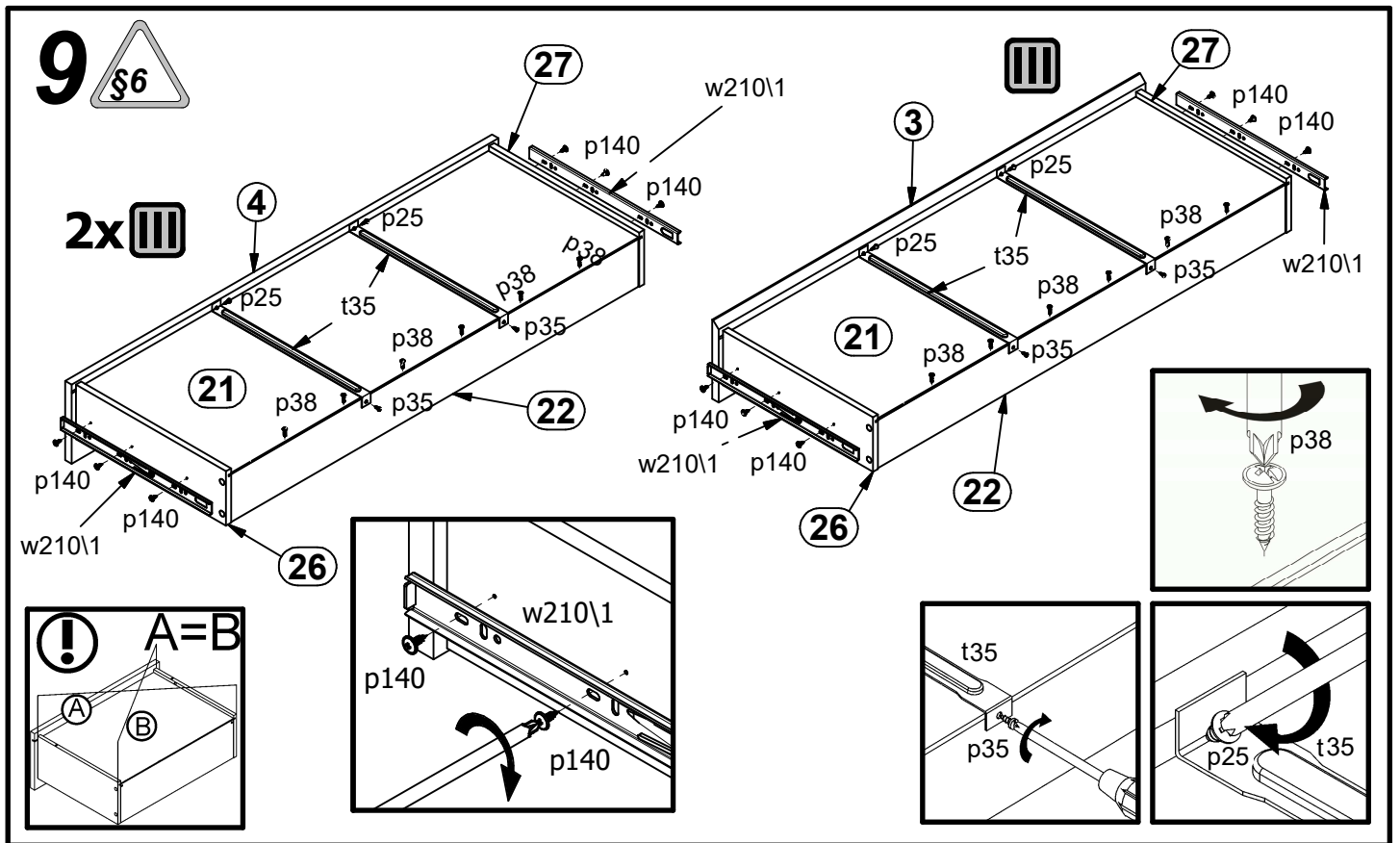
**5** §6



**6** §6







11 

