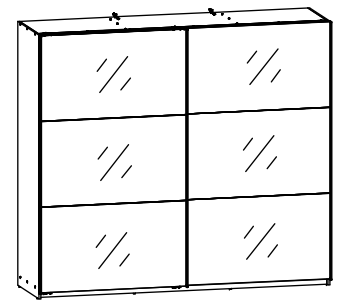


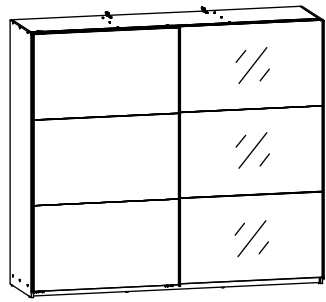
S442-FRN/220

A	B	C (mm)			D
1	S442-0021	1110	634	15	7/10,8/10
2	S442-0022	1110	634	15	9/10,10/10
3	S442-0026	1110	634	15	7/10,8/10



S442-FRN/220-2M

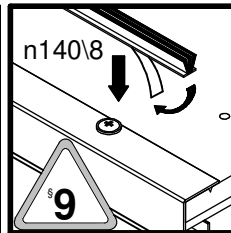
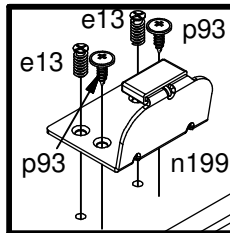
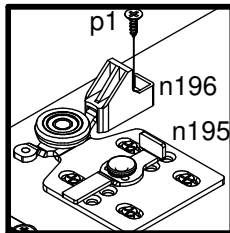
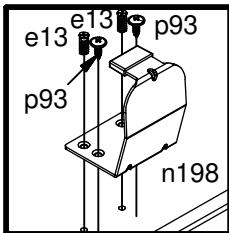
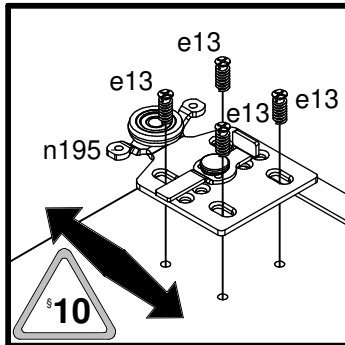
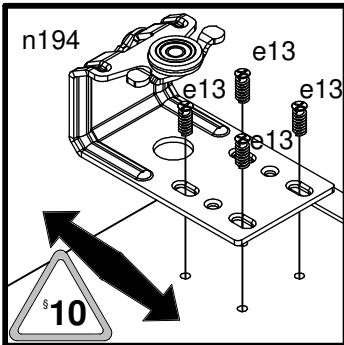
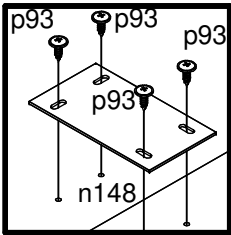
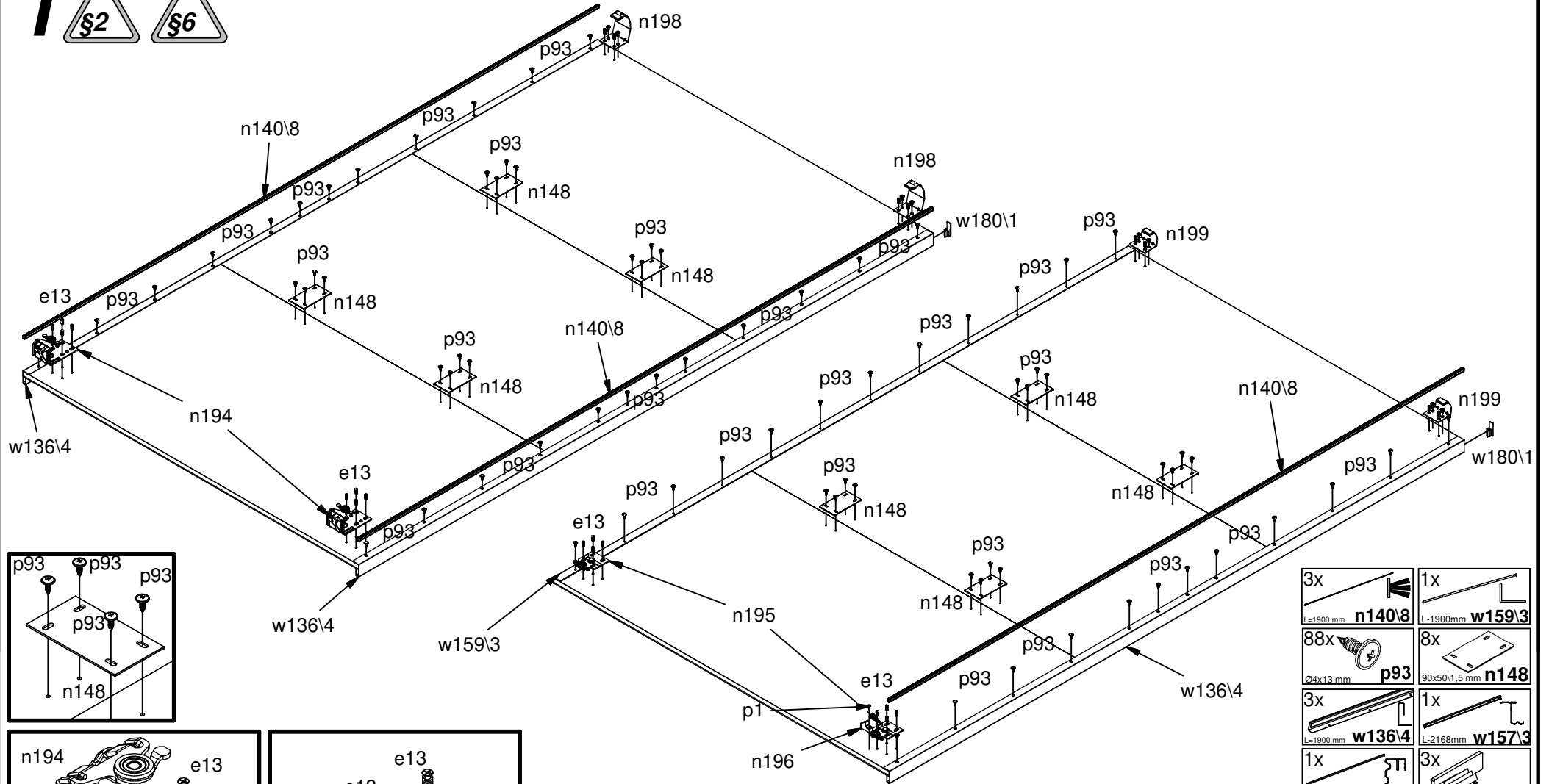
A	B	C (mm)			D
4	S442-0023	1110	634	15	7/10,8/10
5	S442-0024	1110	634	15	7/10,8/10
6	S442-0025	1110	634	15	9/10,10/10



S442-FRN/220-M

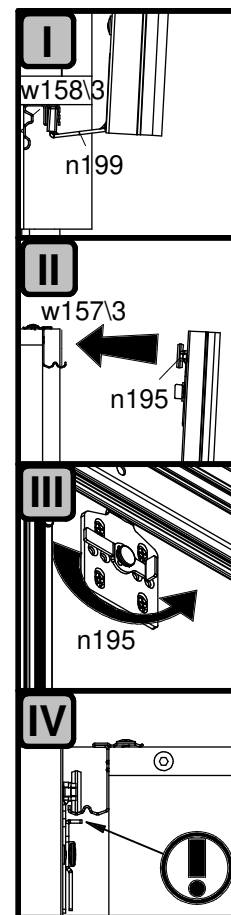
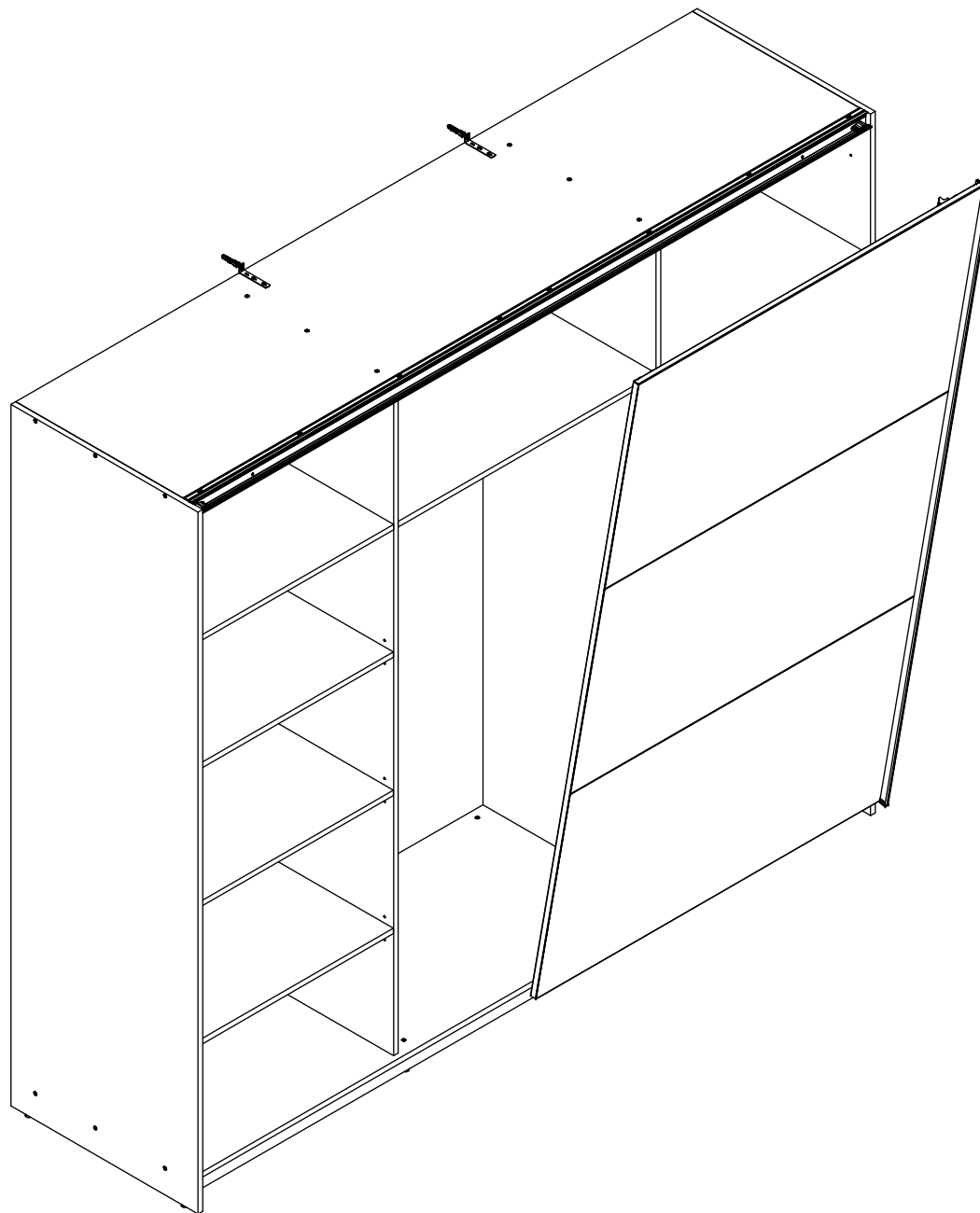
A	B	C (mm)			D
1	S442-0021	1110	634	15	7/10,8/10
2	S442-0022	1110	634	15	9/10,10/10
3	S442-0026	1110	634	15	7/10,8/10
4	S442-0023	1110	634	15	7/10,8/10
5	S442-0024	1110	634	15	7/10,8/10
6	S442-0025	1110	634	15	9/10,10/10

1 §2 §6



3x L=1900 mm n140\8	1x L=1900mm w159\3
88x Ø4x13 mm p93	8x 90x50x1.5 mm n148
3x L=1900 mm w136\4	1x L=2168mm w157\3
1x L=2168mm w158\3	3x w180\1
1x Ø3.5x13 mm p1	1x n196
2x n198	2x n199
2x n194	2x n195

2



3

