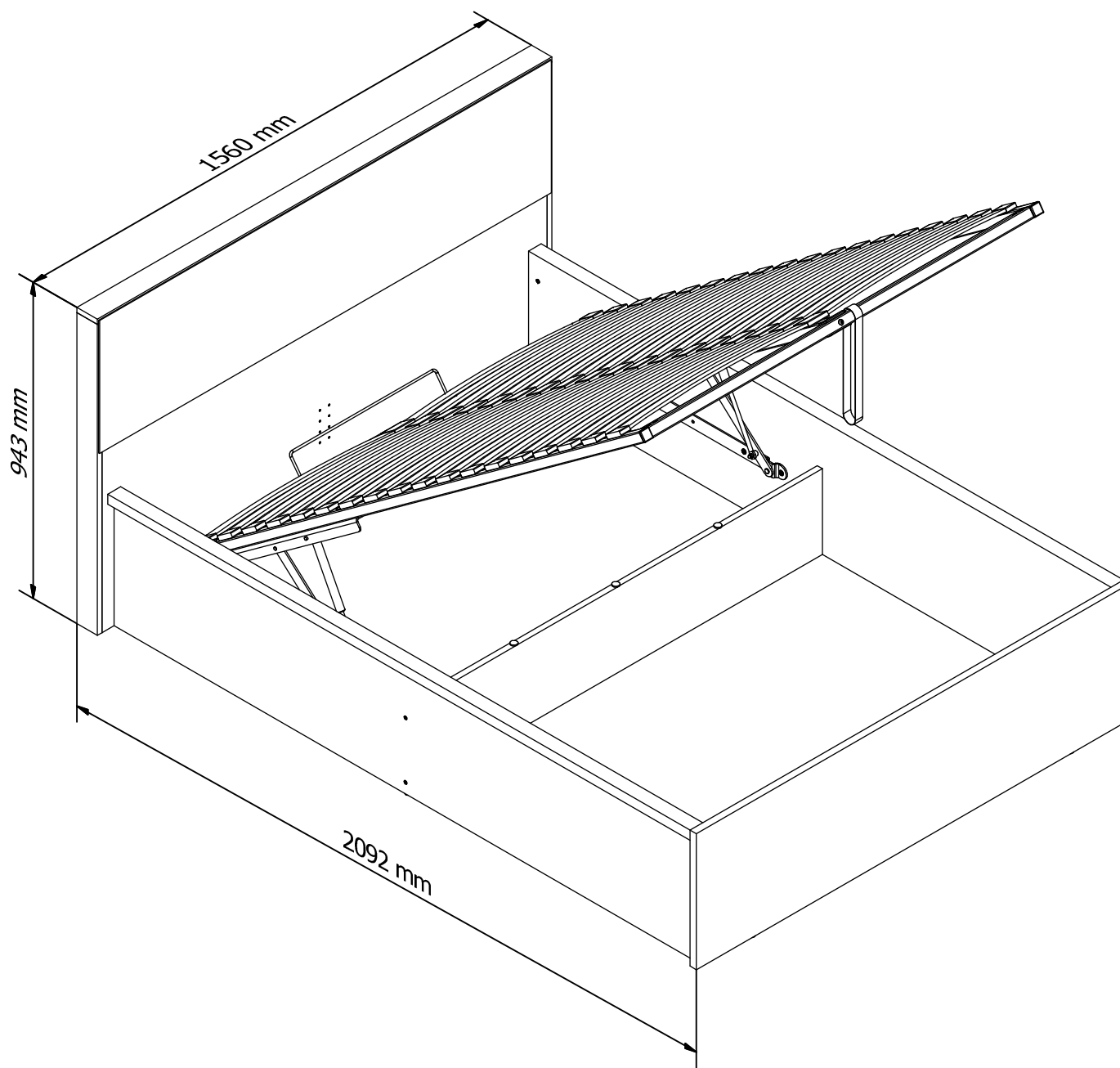
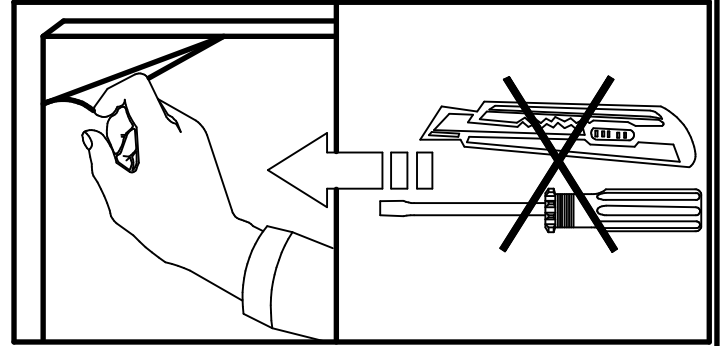
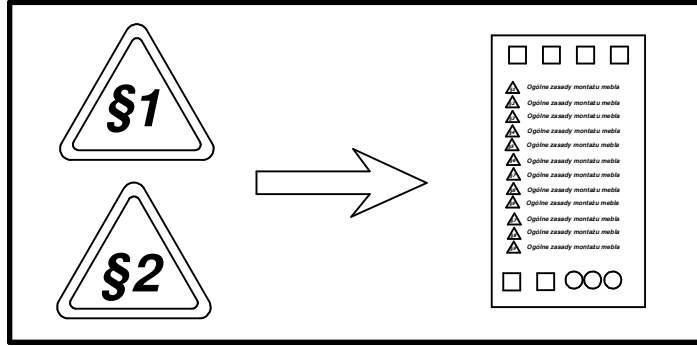
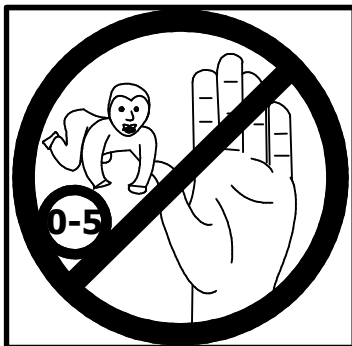
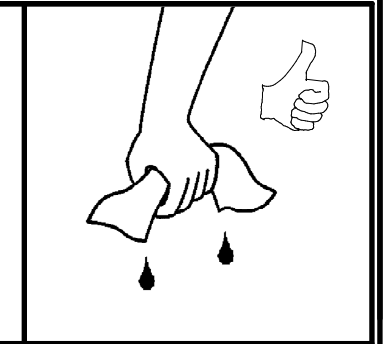
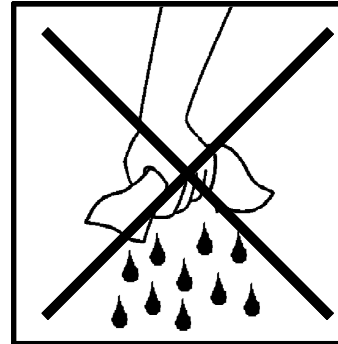
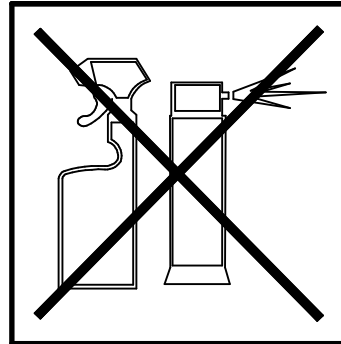
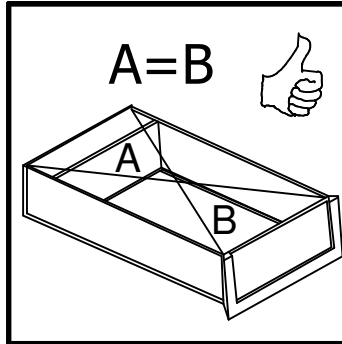
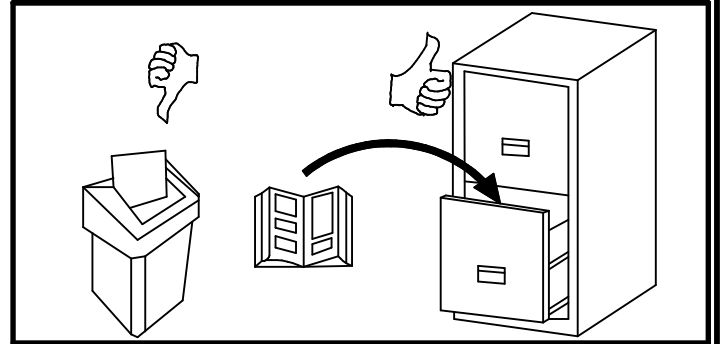
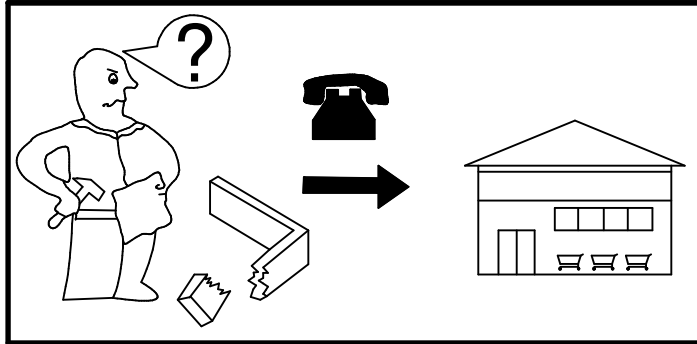
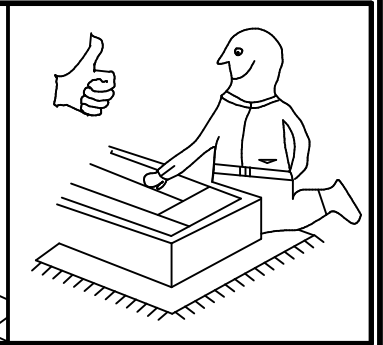
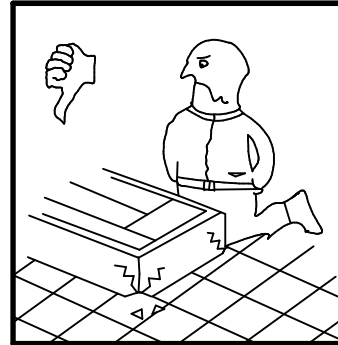
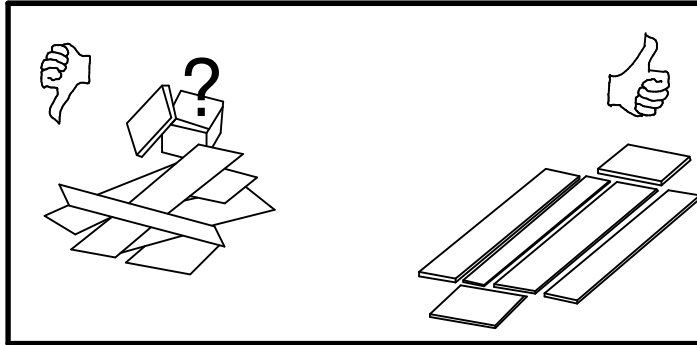
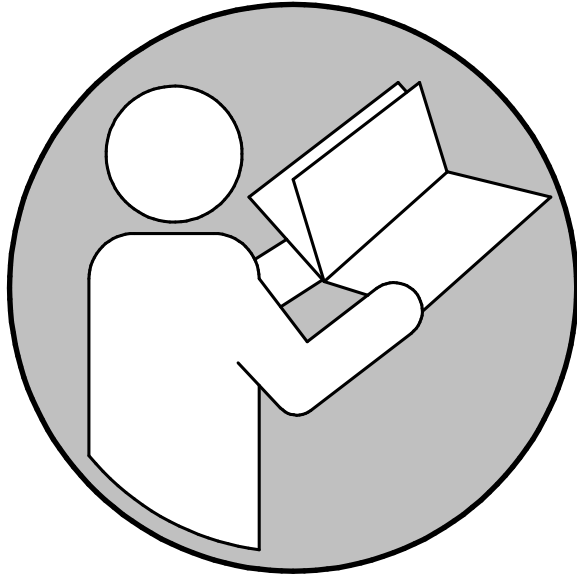
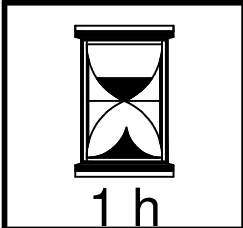
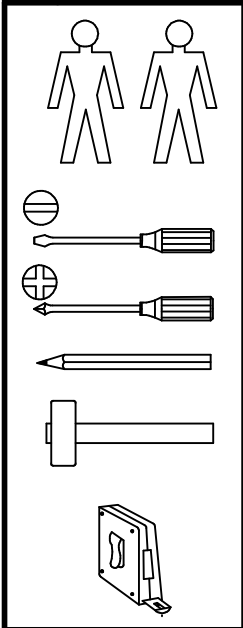


TETRIX

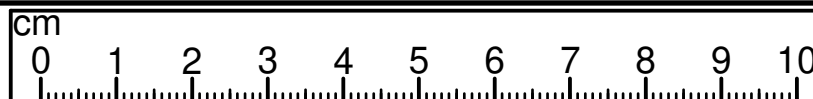
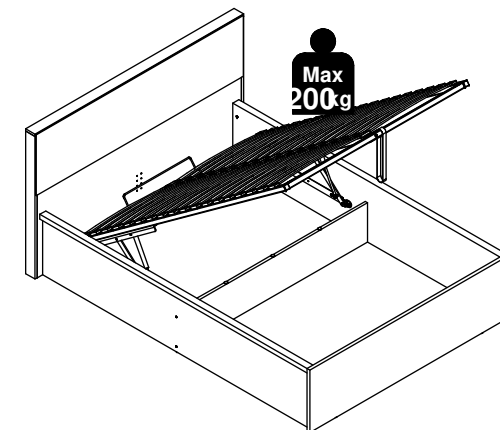
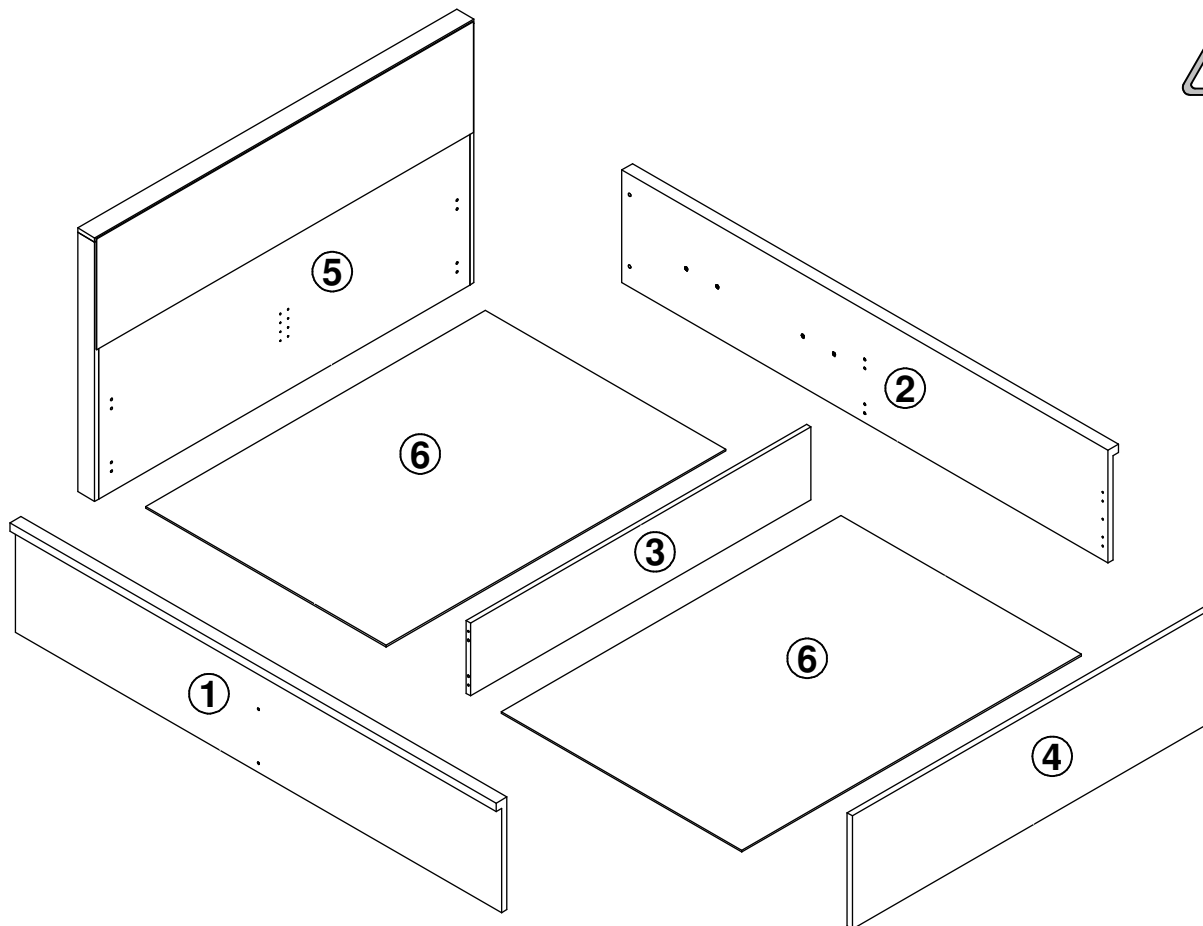
S442-LOZ/140/B/T



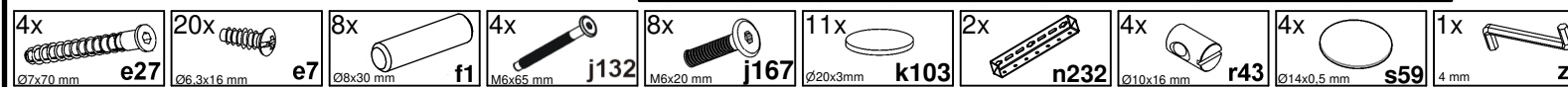




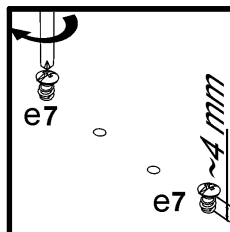
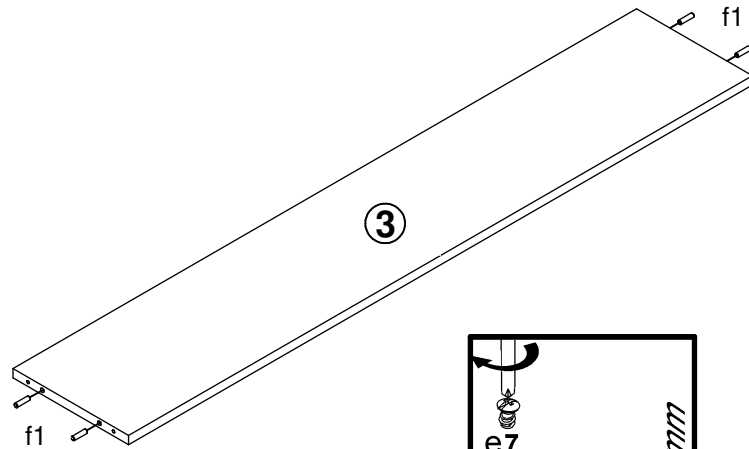
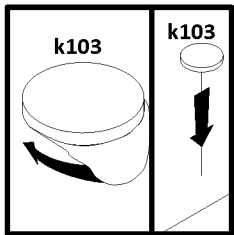
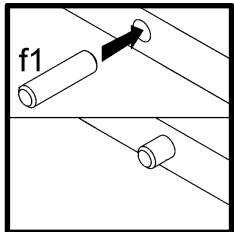
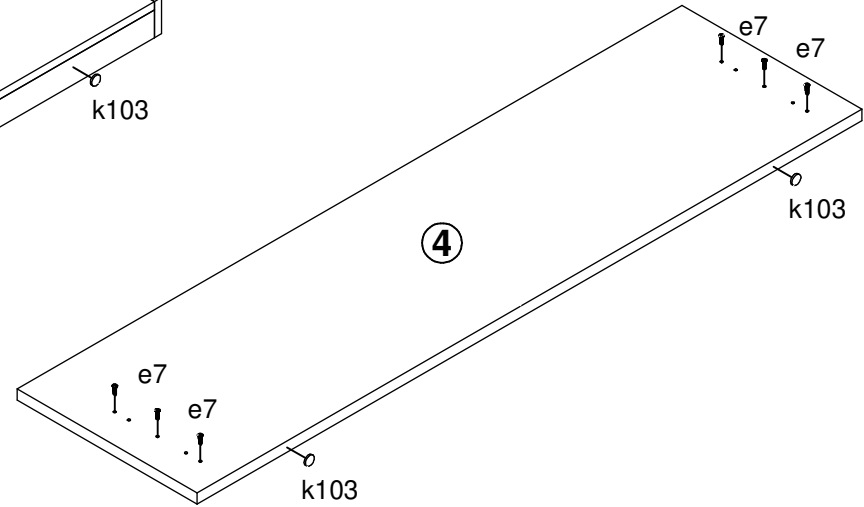
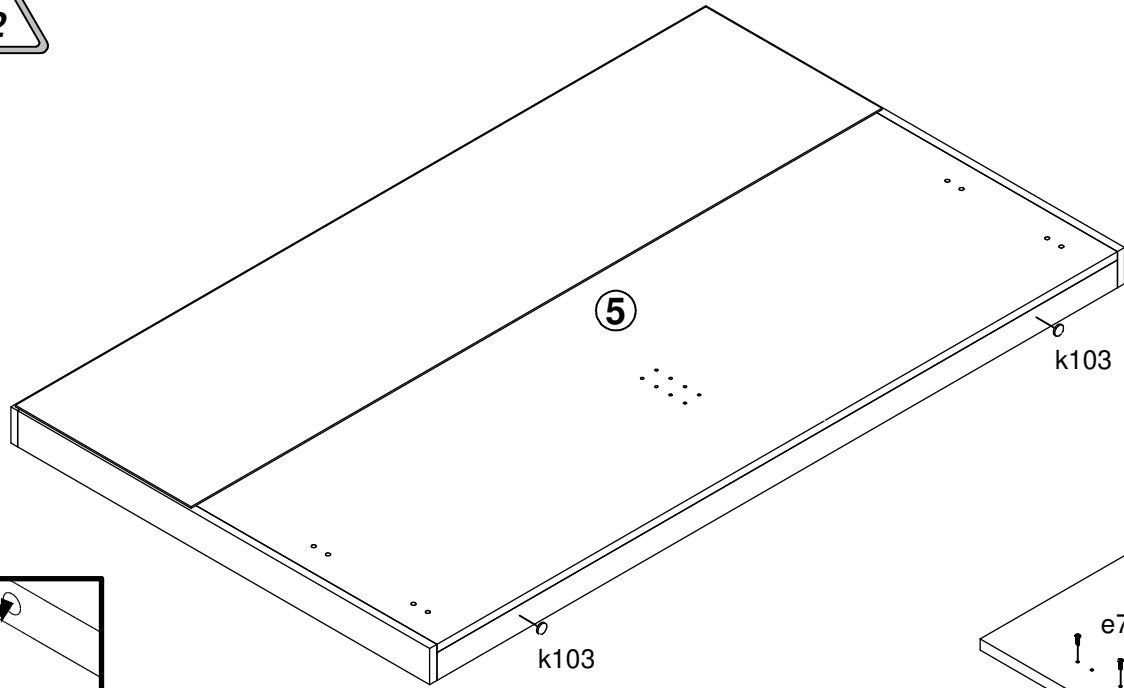
A	B	C (mm)			D
1	S442-1001/A	2000	402	44	2/4
2	S442-1002/A	2000	402	44	2/4
3	S442-4003	1400	260	18	3/4
4	S442-4006/A	1492	404	22	3/4
5	S442-5101	1560	940	74	1/4
6	S442-9002	1398	989	6	4/4






D
2/4

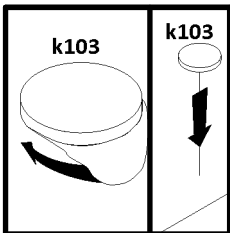
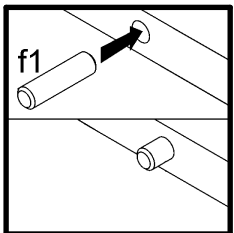
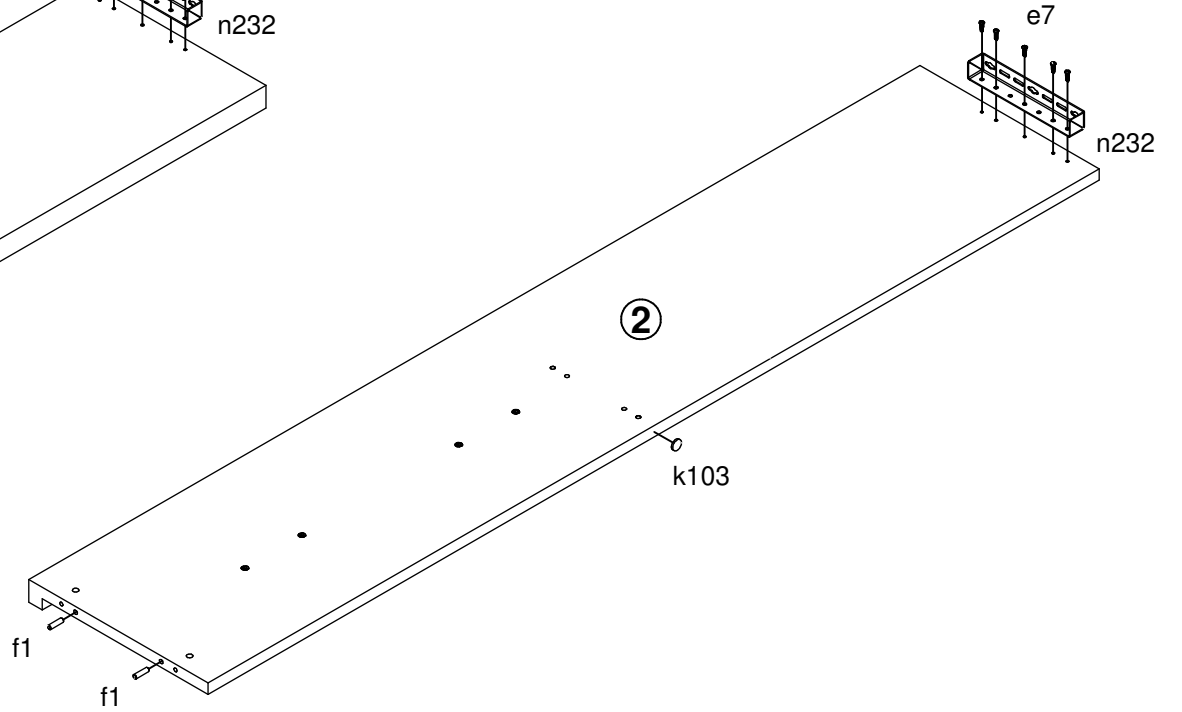
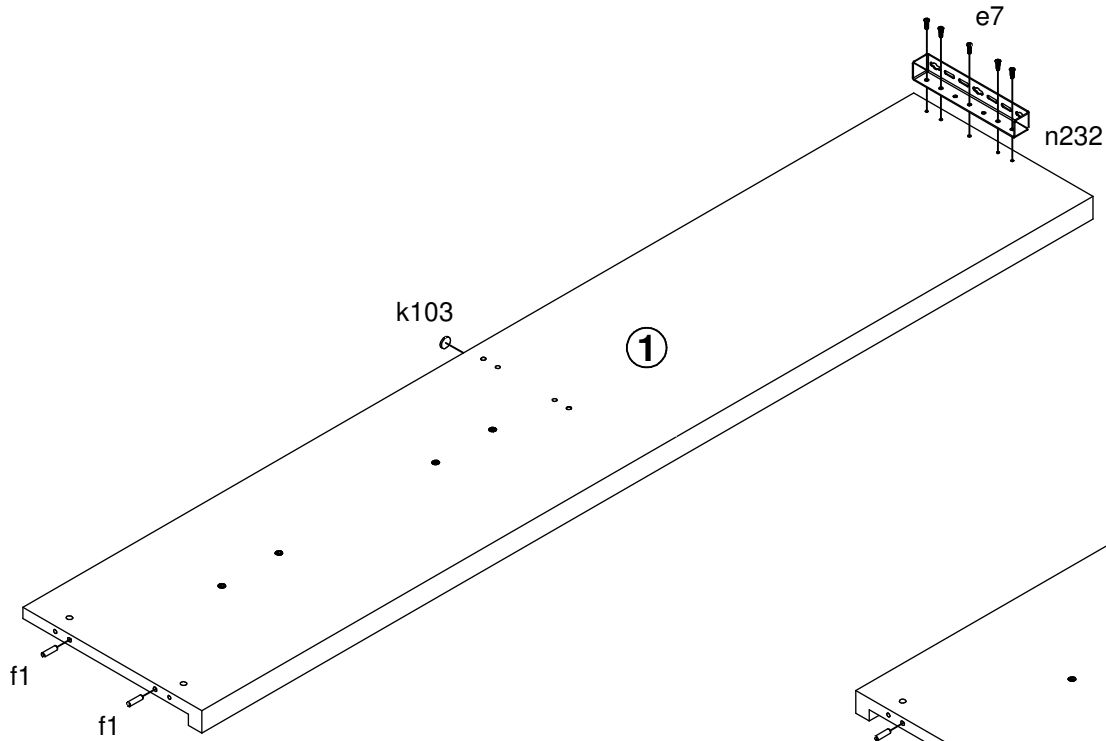


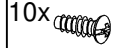



1 



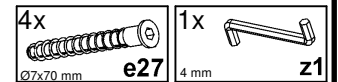
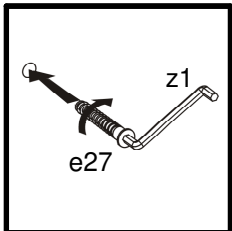
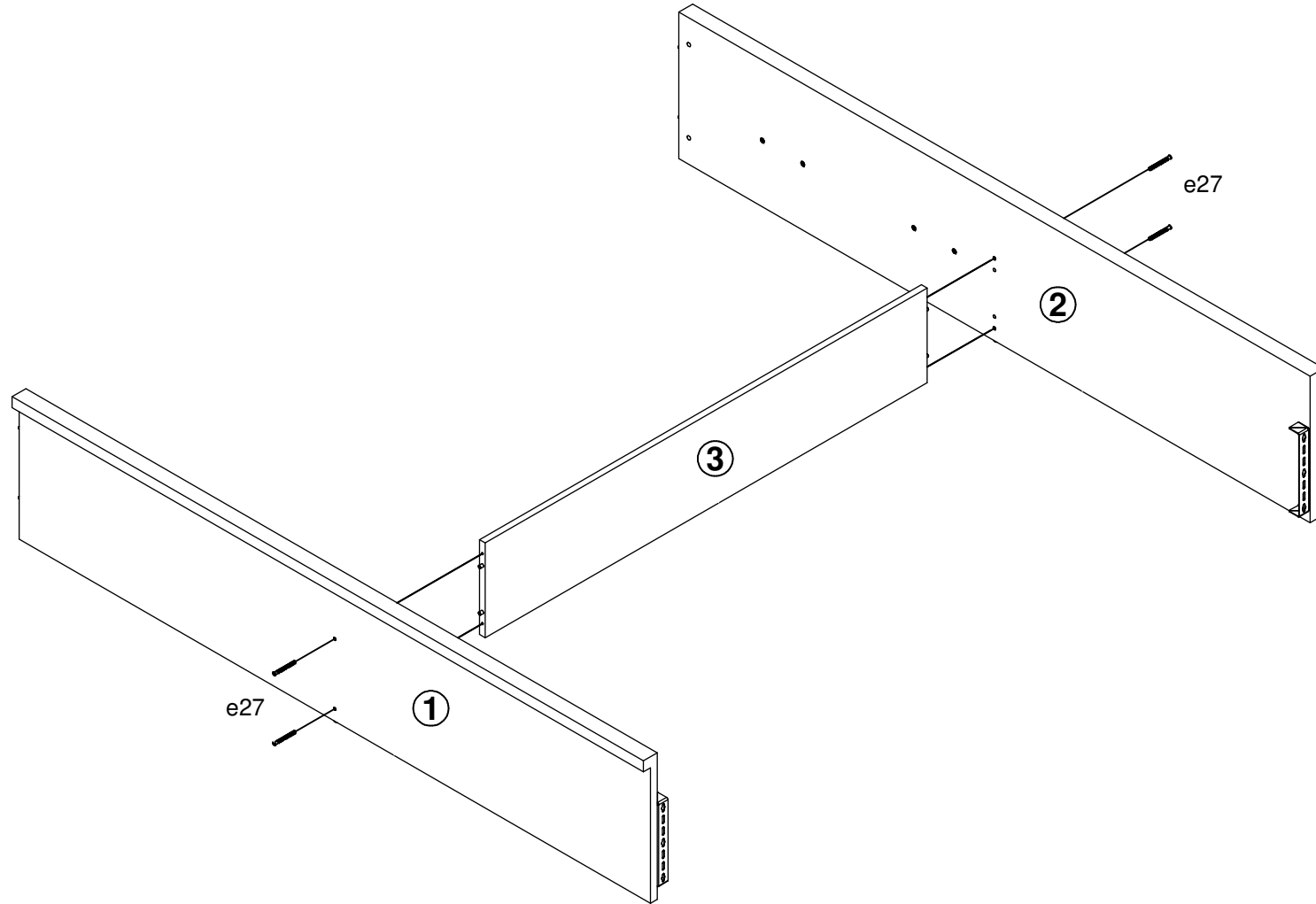
6x  e7 Ø6.3x16 mm	4x  f1 Ø8x30 mm	4x  k103 Ø20x3mm
---	---	--

2 

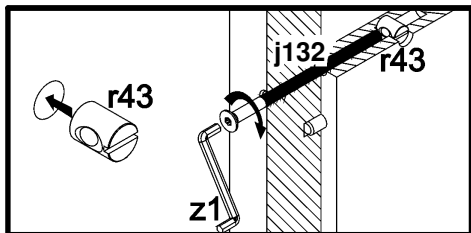
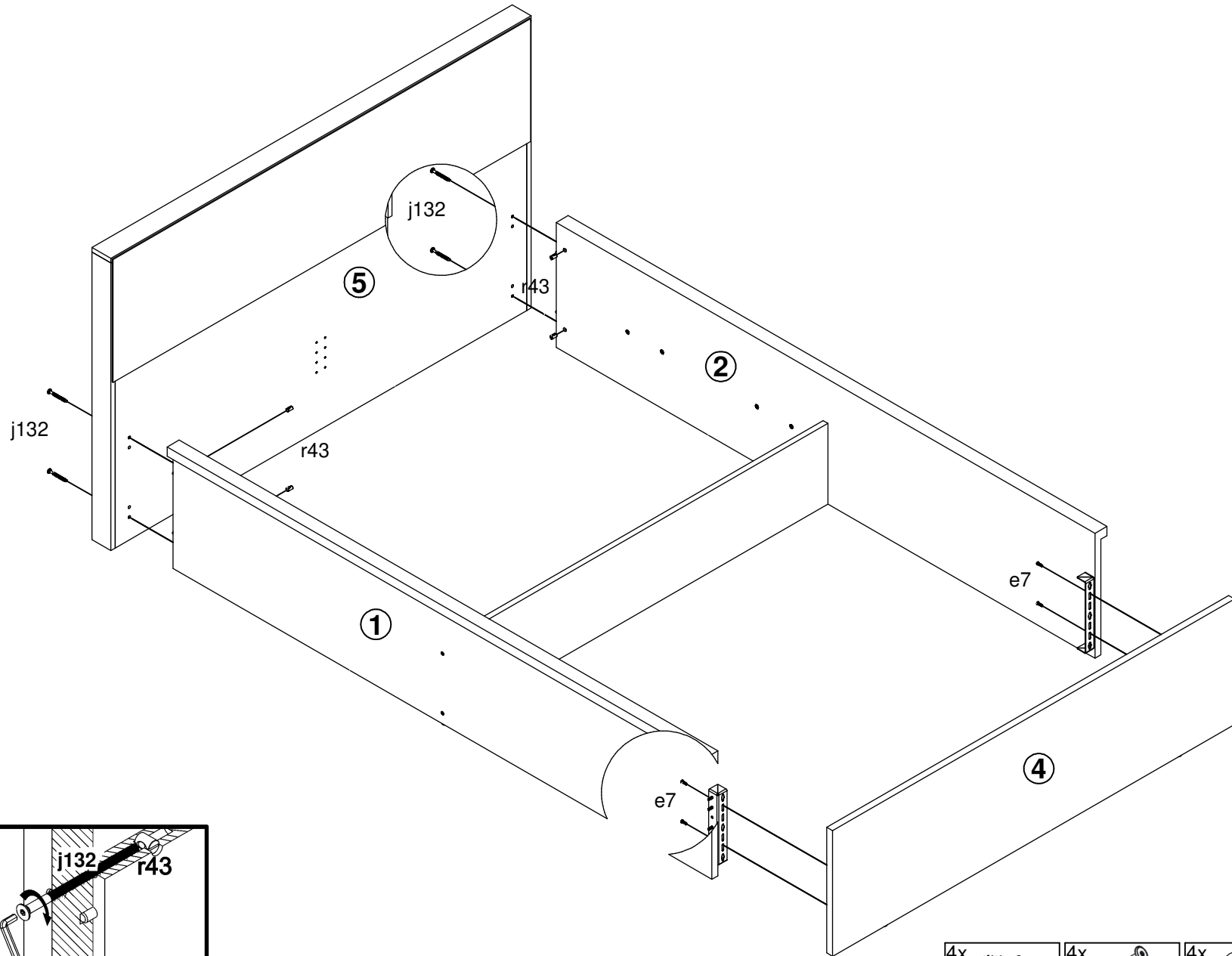
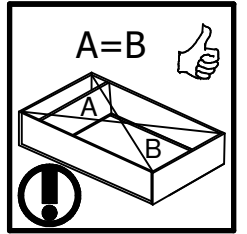






 10x Ø6.3x16 mm	 4x Ø8x30 mm	 2x Ø20x3mm	 2x n232
--	---	--	---

3 

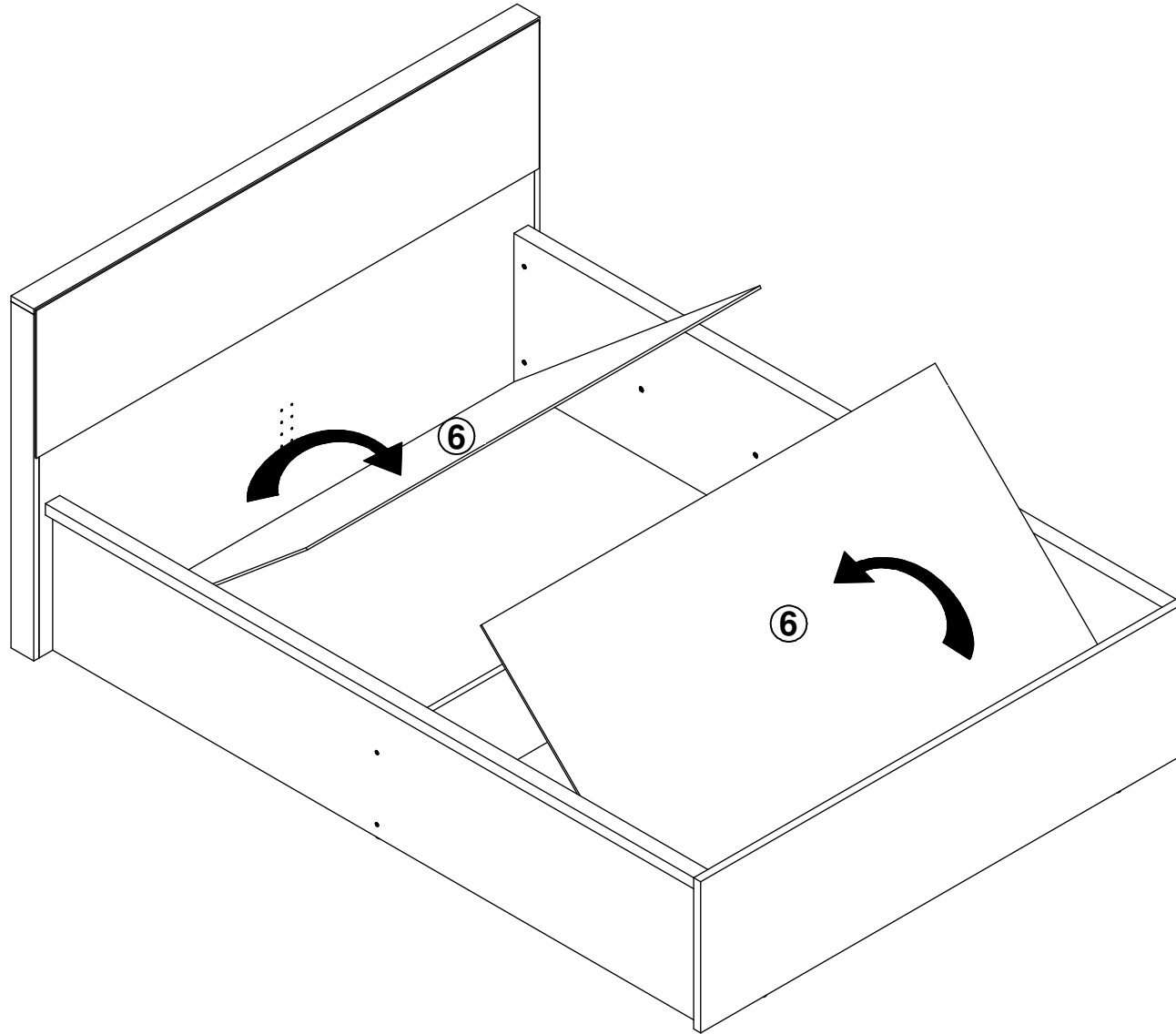


4 

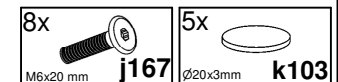
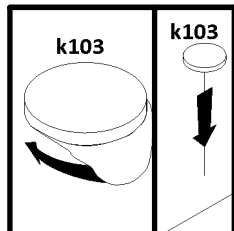
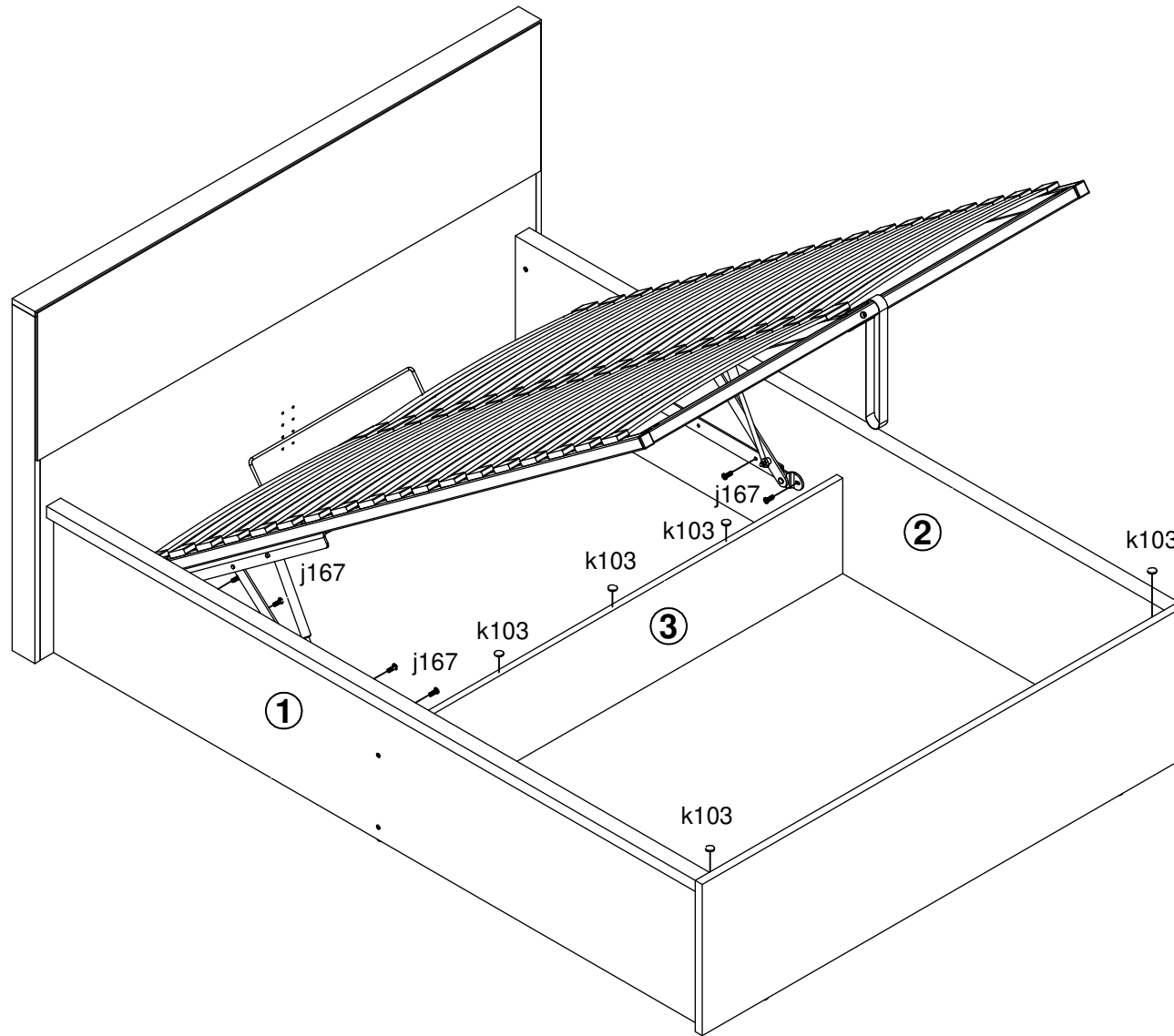


- | | | | |
|---|---|---|---|
| 4x  e7
Ø6.3x16 mm | 4x  j132
M6x65 mm | 4x  r43
Ø10x16 mm | 1x  z1
4 mm |
|---|---|---|---|

5 



6 



7

