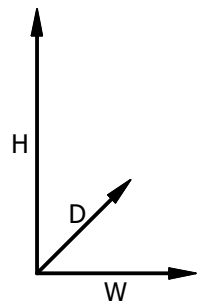
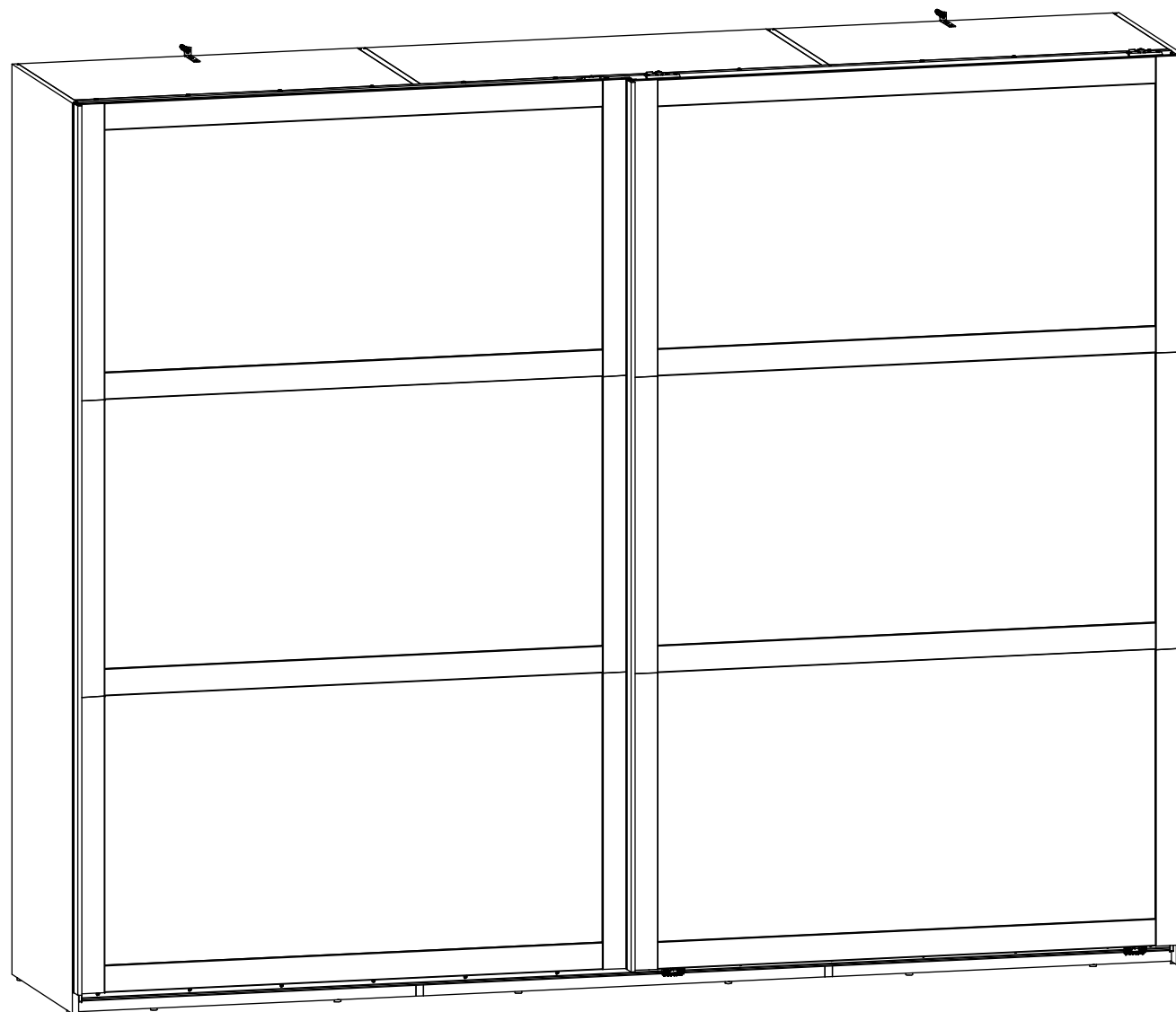
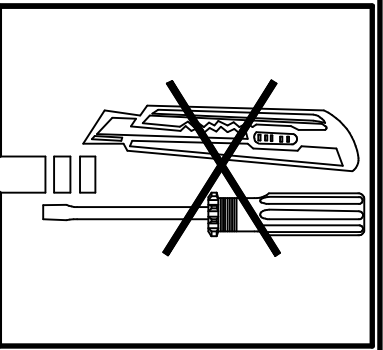
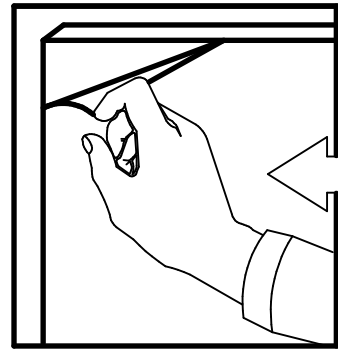
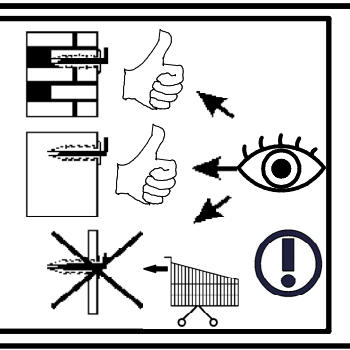
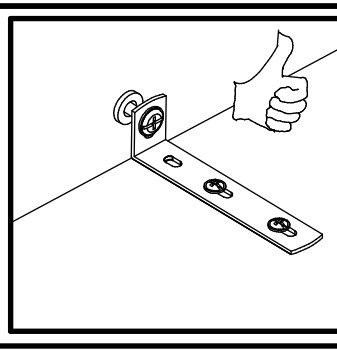
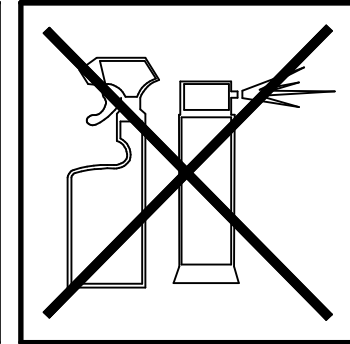
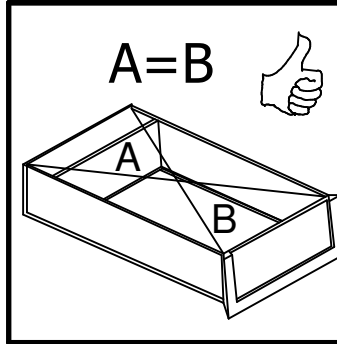
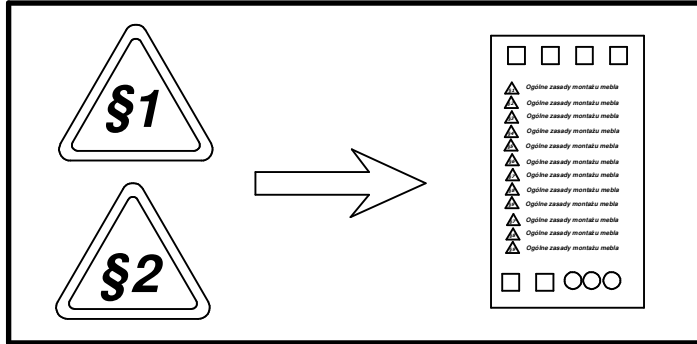
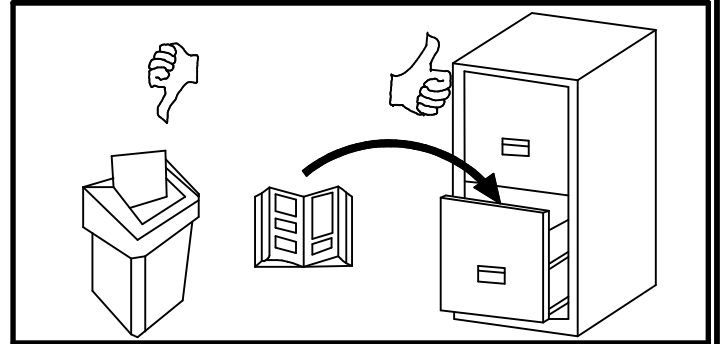
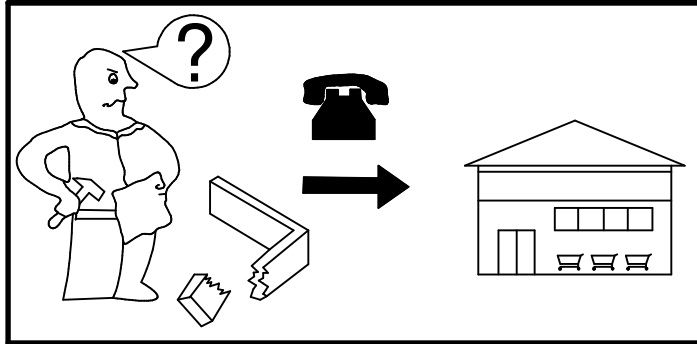
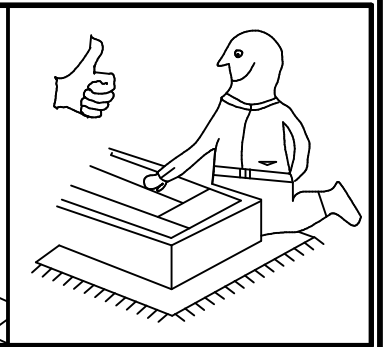
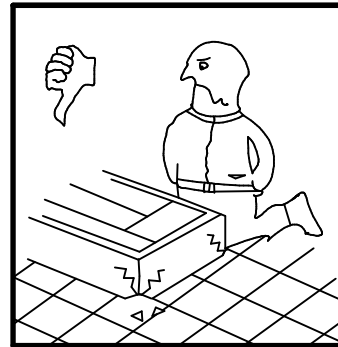
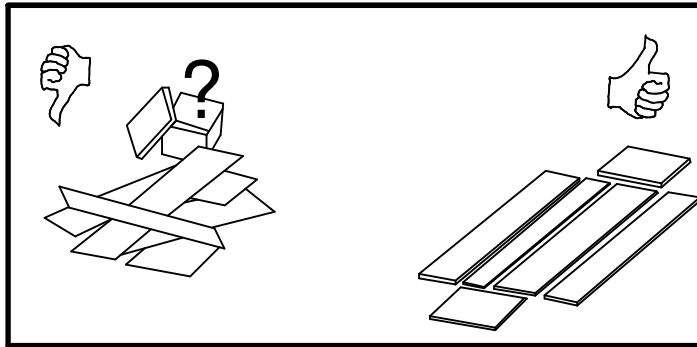
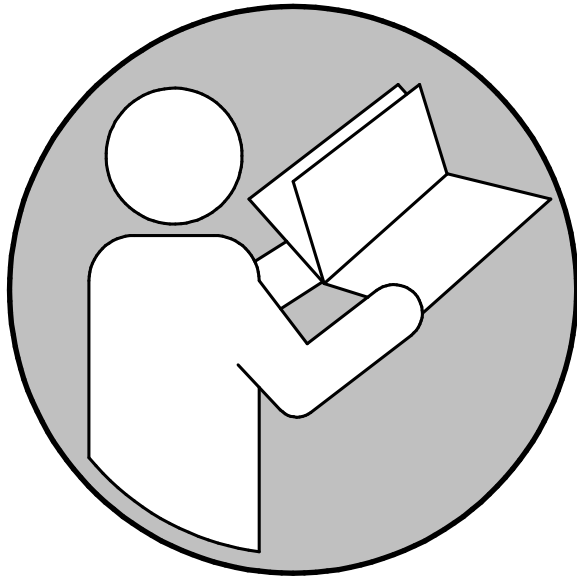


# LOKSA

# S455-SZF/270/218

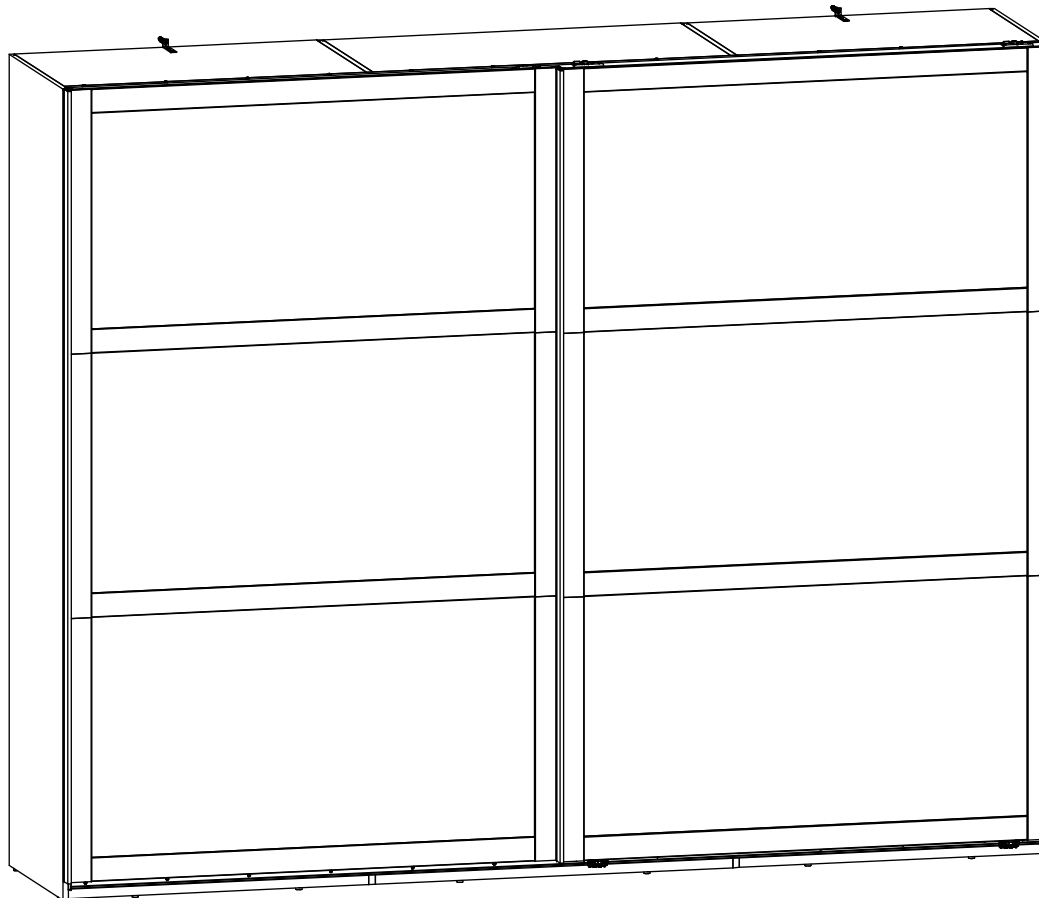


H - 2185 mm  
W - 2699 mm  
D - 624 mm

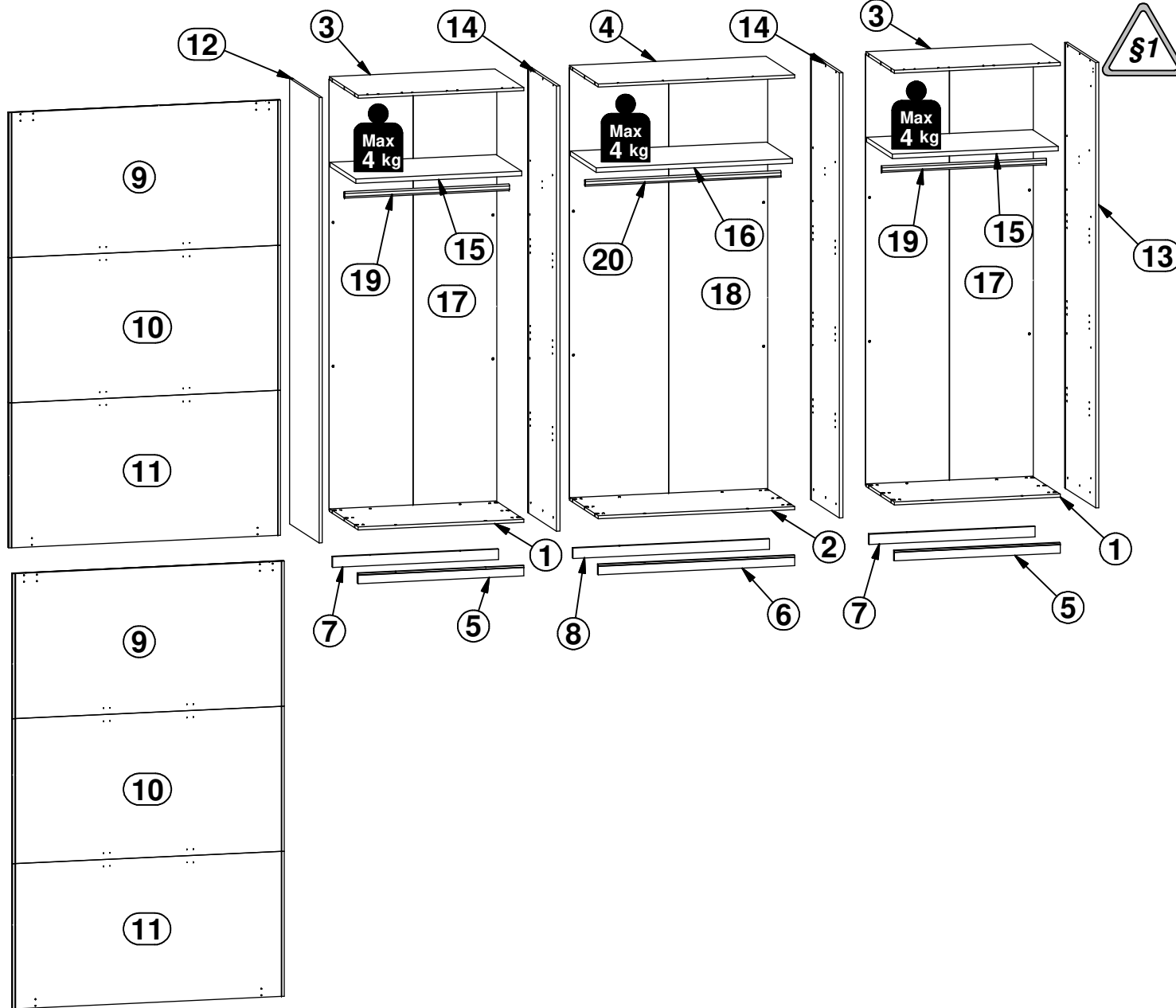


Ø10 mm

1,5 h

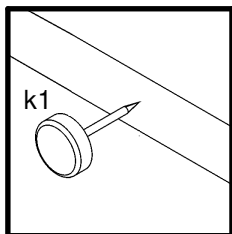
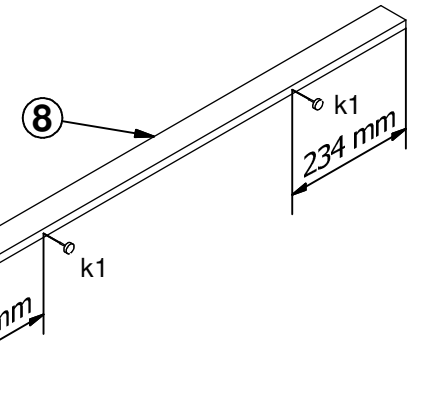
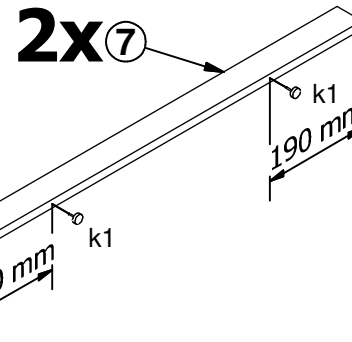
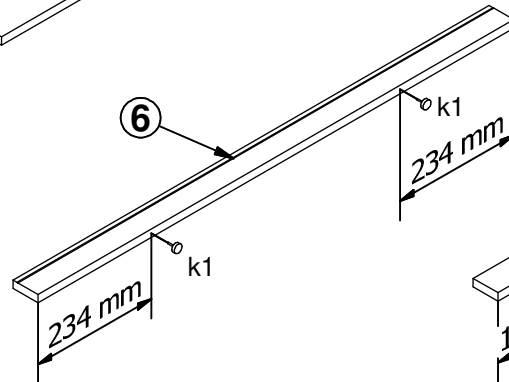
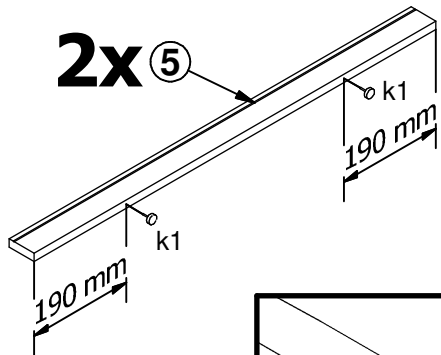
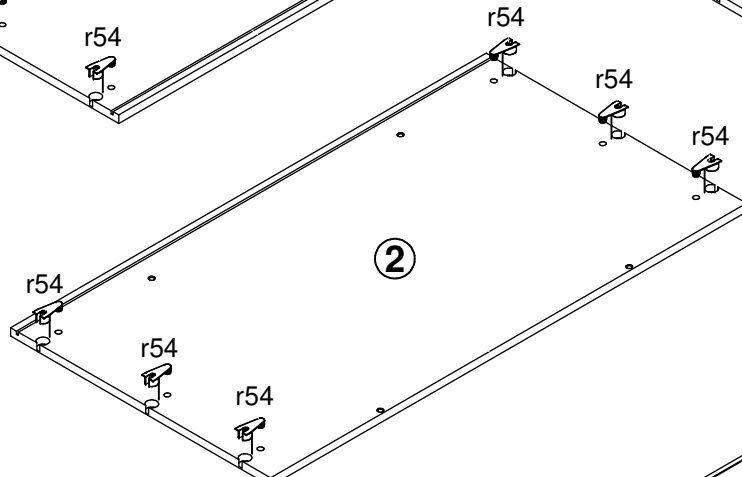
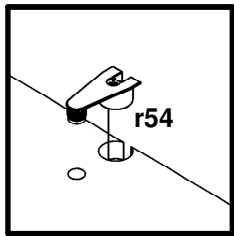
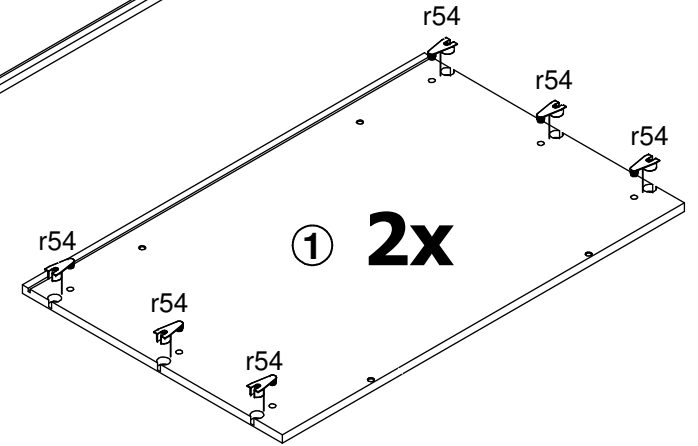
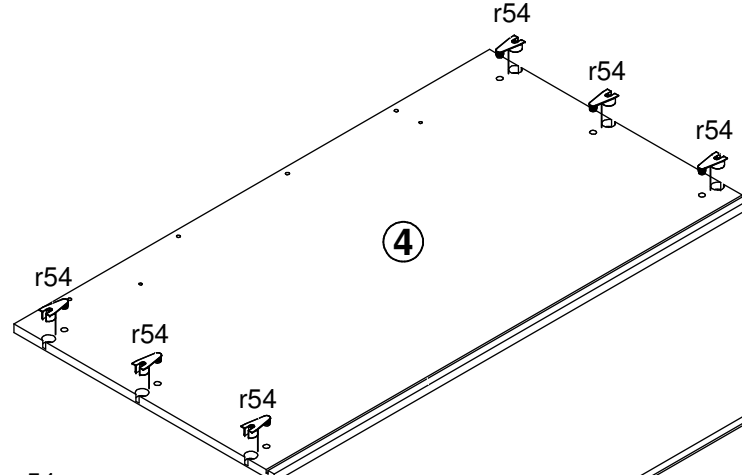
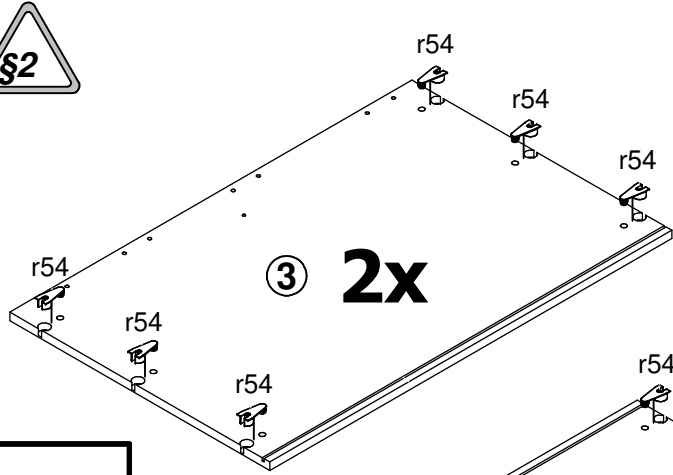


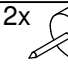

18x d20	12x d28	12x Ø7x50 mm e1	24x Ø6,3x13 mm e5	cm 0 1 2 3 4 5 6 7 8 9 10							18x Ø6,3x10 mm e50	12x Ø6,3x10 mm e51	2x Ø10x50 mm f35	<b>D</b> 4/7, 5/7
2x f69	2x f70	1x f71	1x f72	1x f73	1x f74	2x f75	2x f76	4x f77	11x M4x10 mm j106	11x Ø5x15 mm j140	11x M4x5 mm j84	2x j196		
20x k1	12x l2	8x l63	8x 90x50/1,5 mm n148	2x 86x21x15/1,5 n142	1x n2382	1x n2392	1x n240	1x n2412	6x n267	2x Ø5x60 mm p17	4x Ø3,5x16 mm p25	26x Ø3,5x15 mm p51		
80x Ø4x13 mm p93	36x 6,7/7,8 r37	36x #16 Ø20x12,5 mm r54	12x s1	2x s113	1x 2130 mm w1188	3x #10 2130 mm w2382	1x L=2668 w2491	1x L=2664 w2501	1x 4 mm z1	1x 5 mm z17				



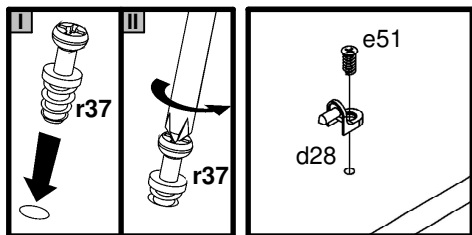
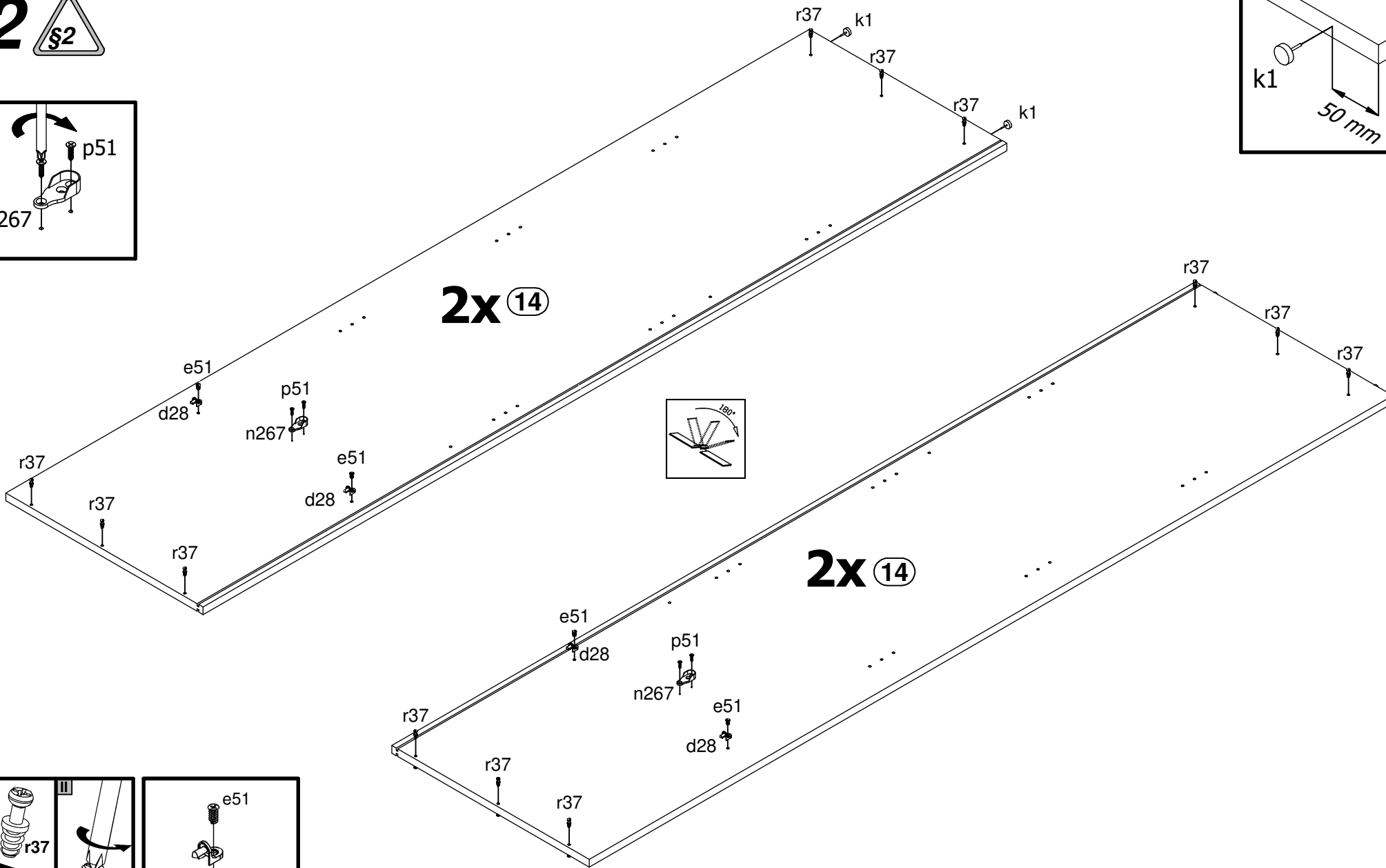
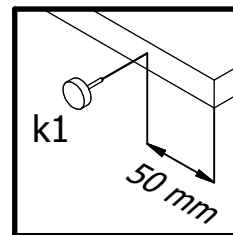
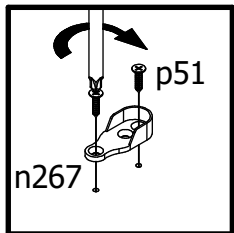
A	B	C (mm)			D
1	L99-3003	827	535	15	3/7
2	L99-3004	979	535	15	4/7
3	L99-3009/A	827	535	15	3/7
4	L99-3010/A	979	535	15	4/7
5	L99-4010/A	827	51	15	4/7
6	L99-4011/A	979	51	15	4/7
7	L99-4012	827	51	15	4/7
8	L99-4013	979	51	15	4/7
9	S455-0027	1354	710	18	6/7;7/7
10	S455-0028	1354	710	18	7/7
11	S455-0029	1354	710	18	6/7
12	S455-1039	2180	551	15	1/7
13	S455-1040	2180	580	15	1/7
14	S455-1041	2179	535	18	2/7
15	S455-3037	827	480	22	3/7
16	S455-3038	979	480	22	4/7
17	S455-9309	2108	837	2,5	1/7
18	S455-9310	2108	989	2,5	2/7
19	dr-821x30	821	30	15	4/7
20	dr-975	975	30	15	4/7
21	Eg-sp_2130	2130	6,9	12	5/7







**1** 



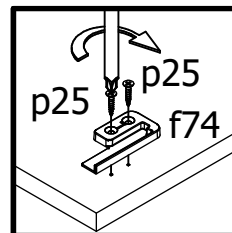
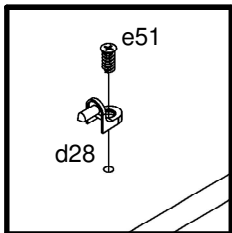
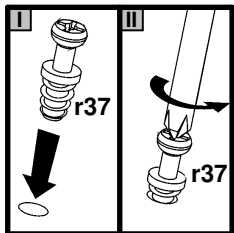
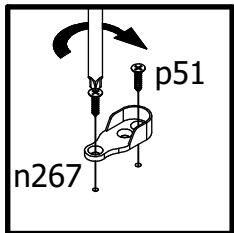
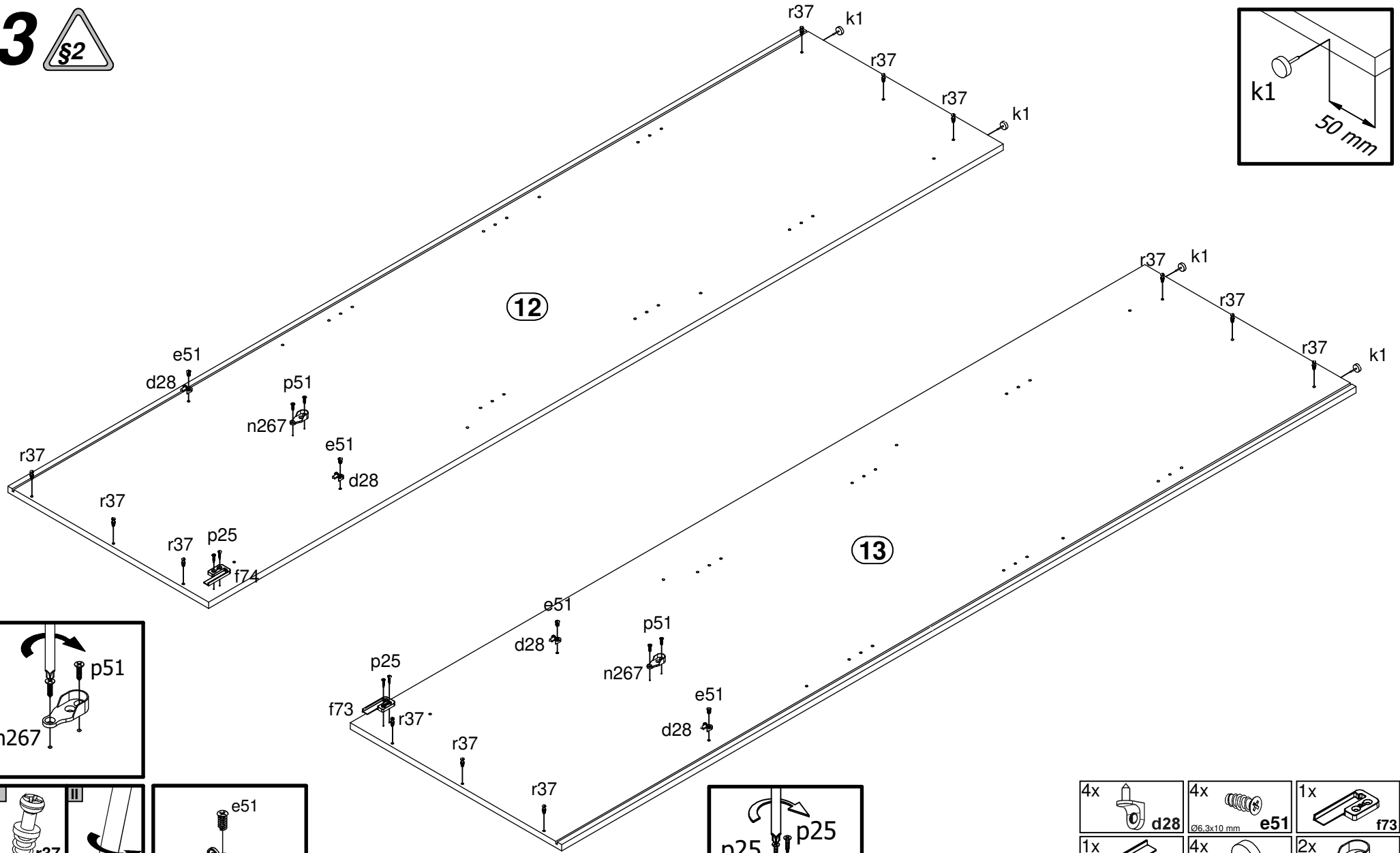
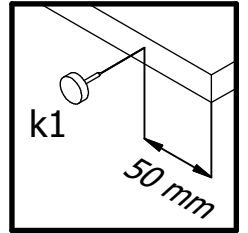
12x  k1	36x  #16 r54
--	---

2 



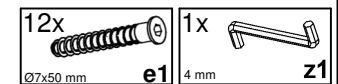
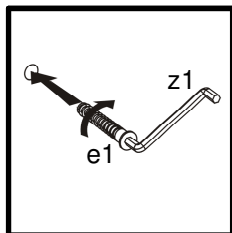
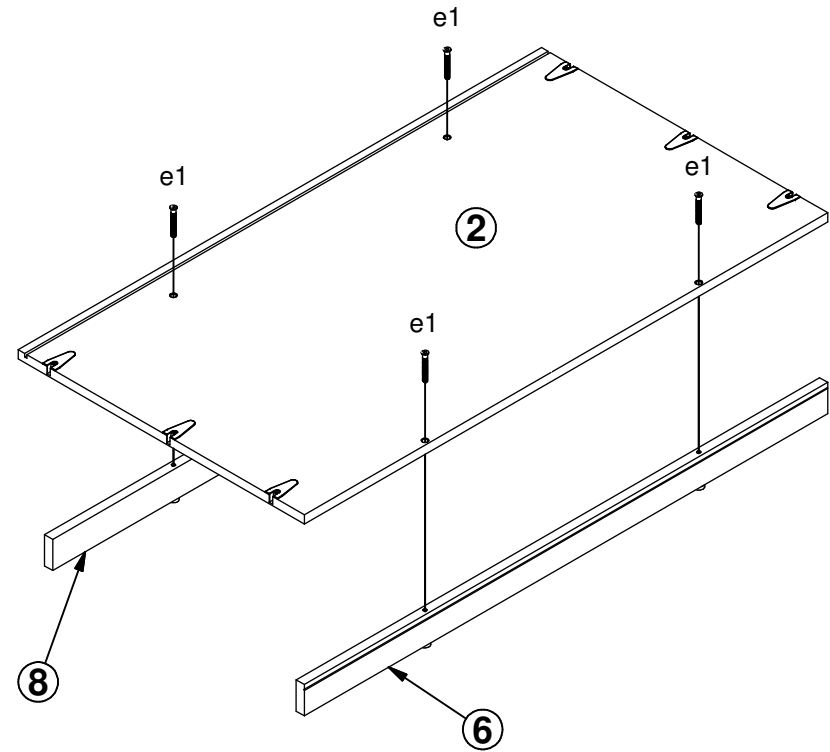
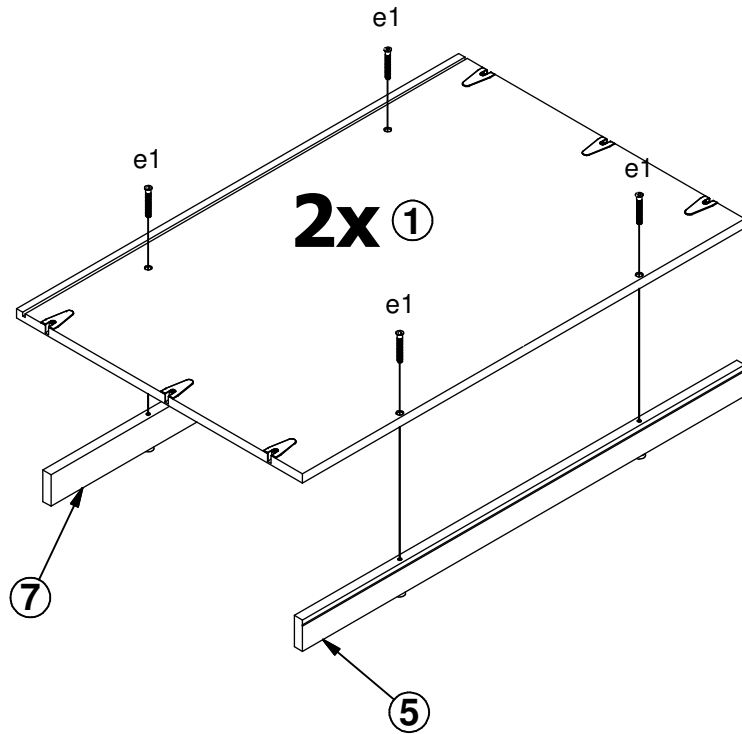
8x  d28	8x  e51 Ø6,3x10 mm	4x  k1	4x  n267	8x  p51 Ø3,5x15 mm	24x  r37 6,77,8
--	--	---	---	--	---

3 §2



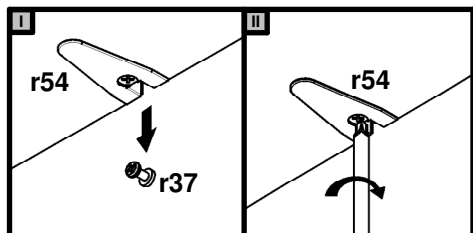
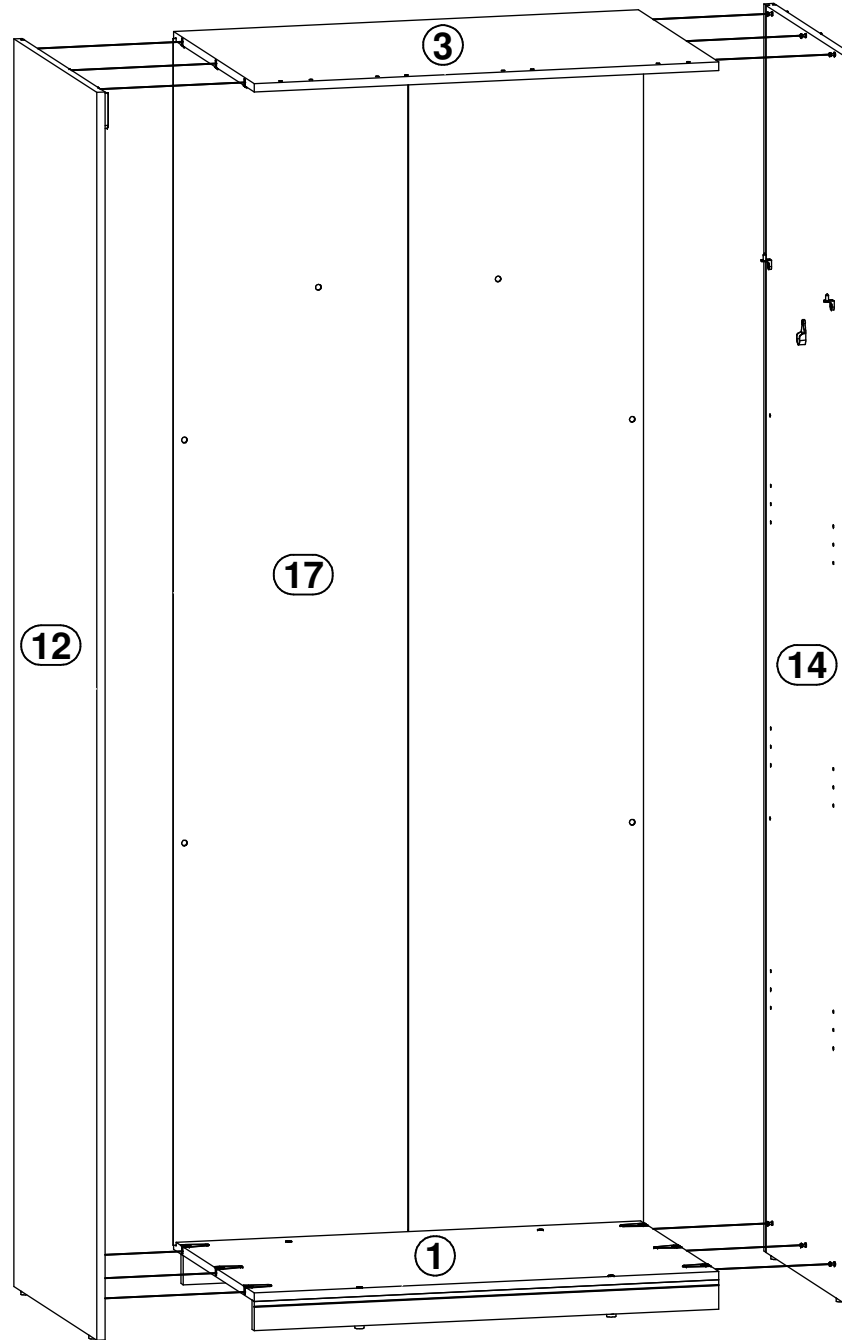
4x  d28	4x  e51 Ø6.3x10 mm	1x  f73
1x  f74	4x  k1	2x  n267
4x  p25 Ø3.5x16 mm	4x  p51 Ø3.5x15 mm	12x  r37 6.77.8

4 

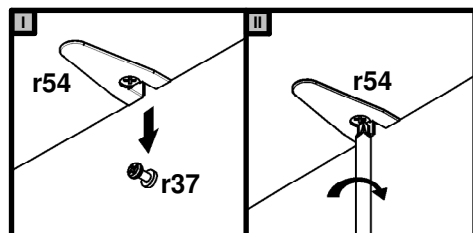
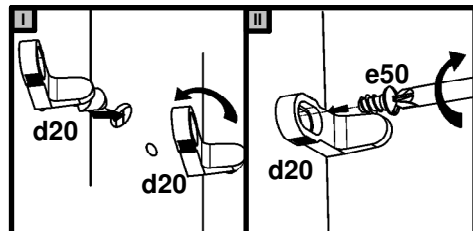
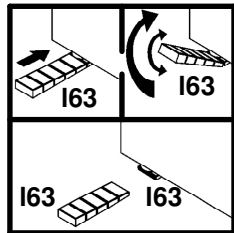
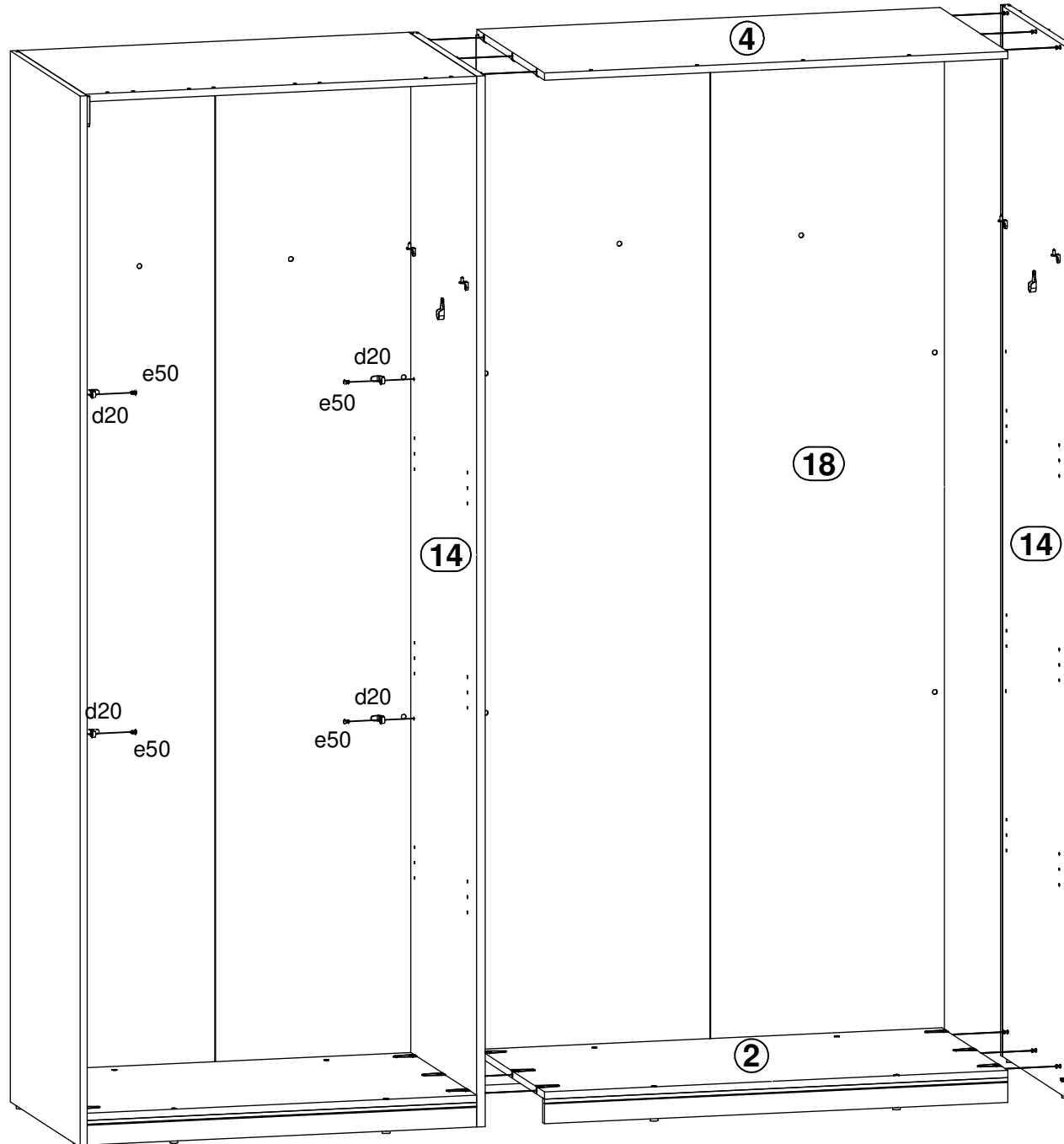




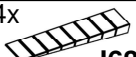


**5** 

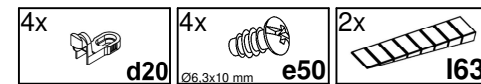
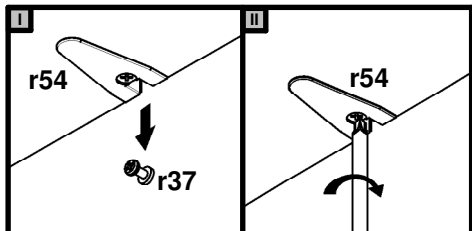
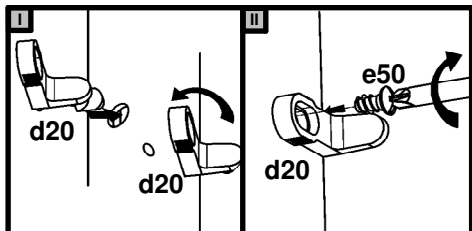
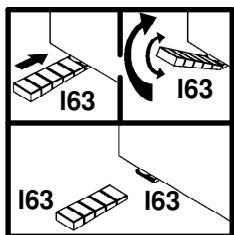
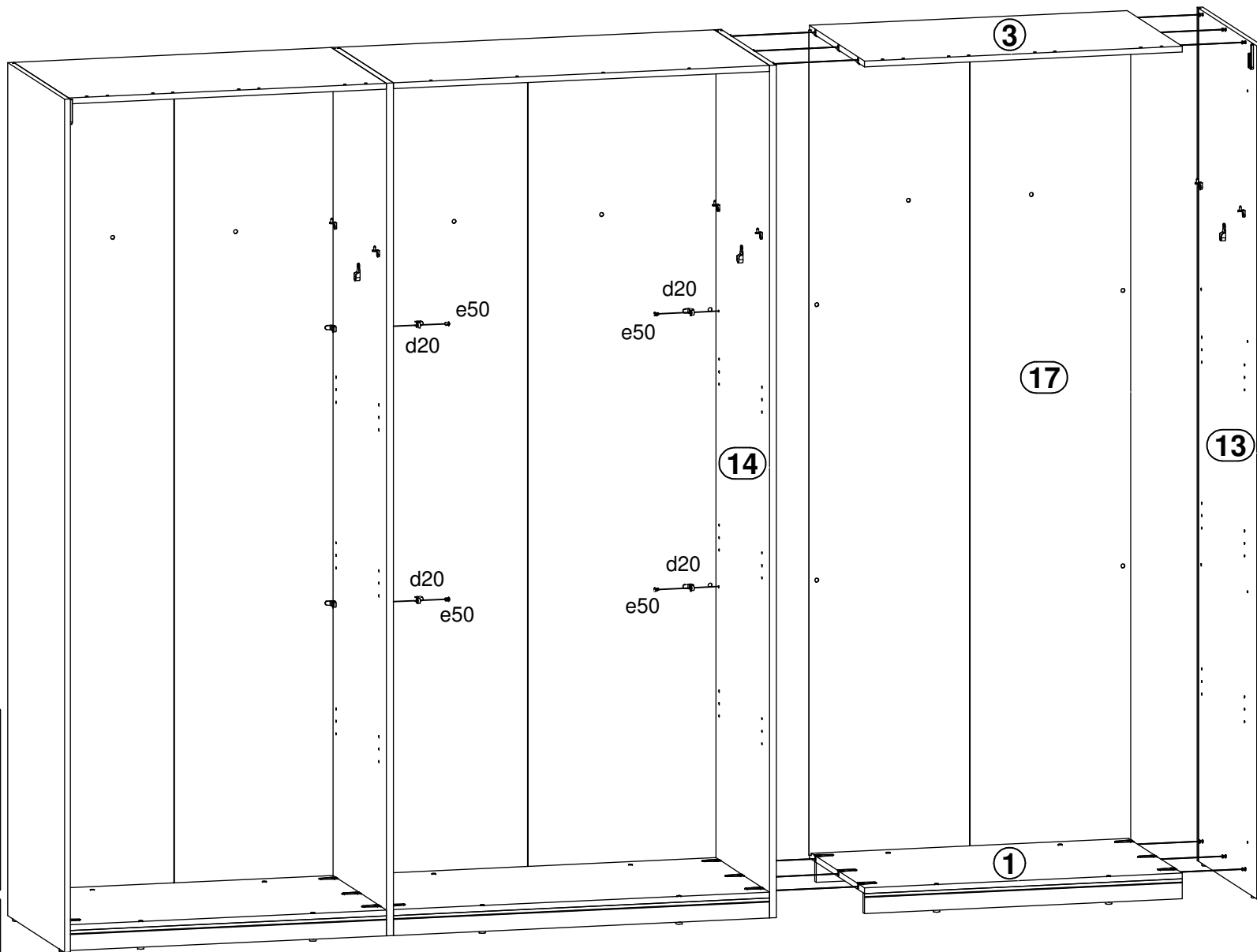


6 

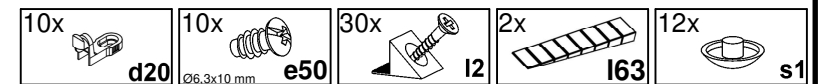
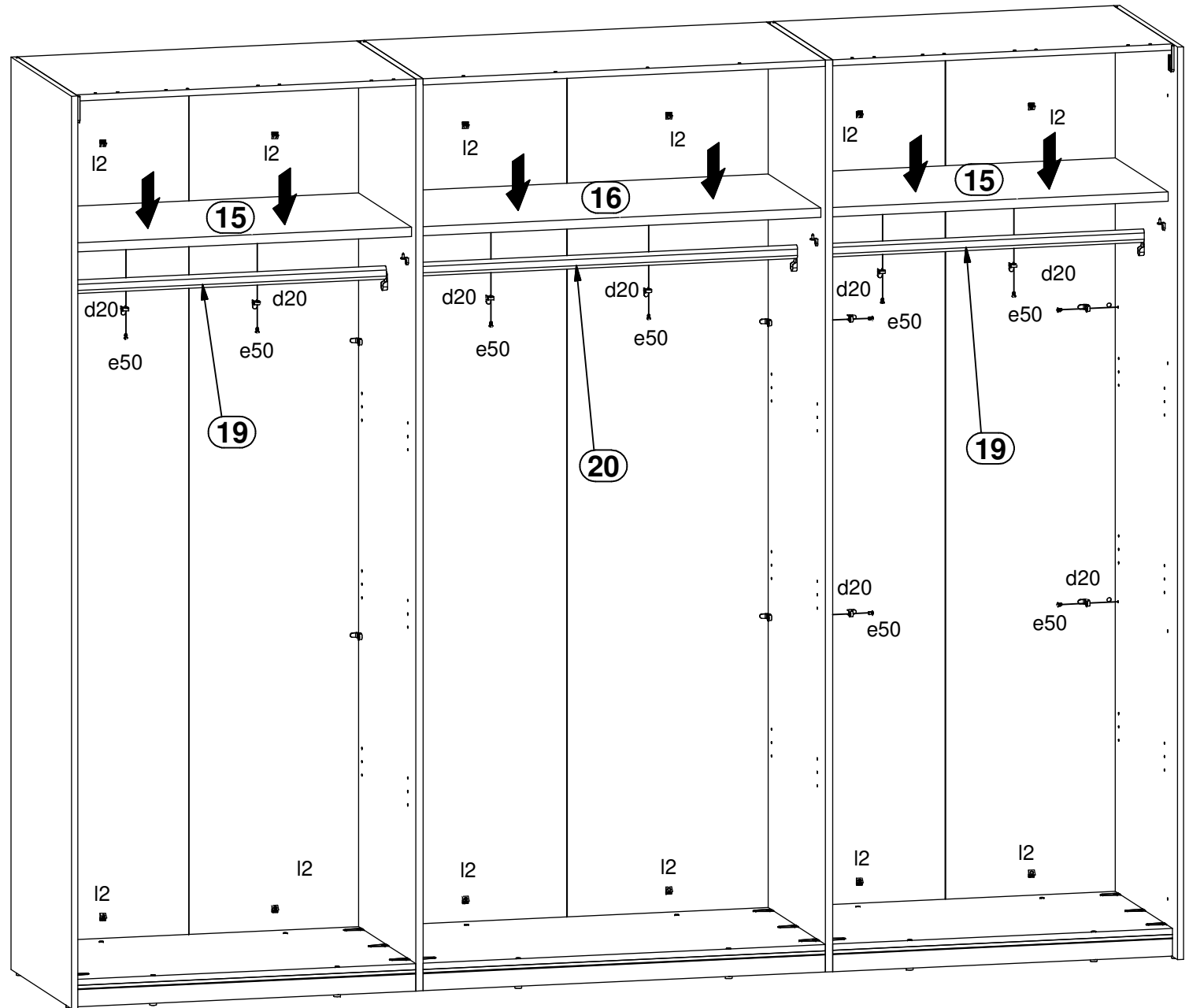
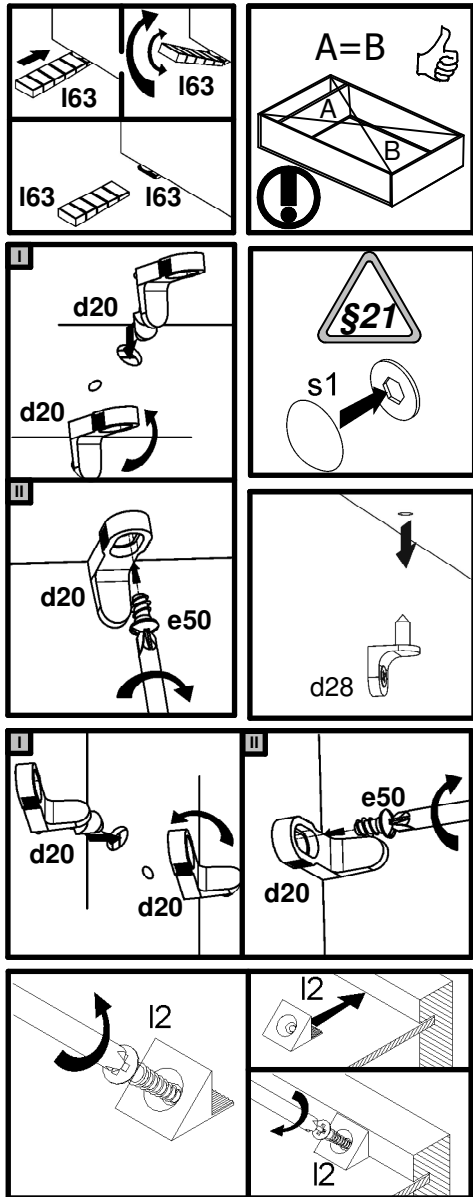


- 4x  d20
- 4x  e50  
Ø6.3x10 mm
- 4x  I63

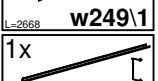
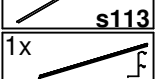
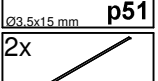
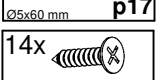
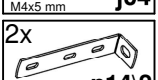
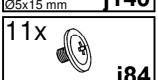
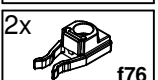
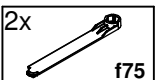
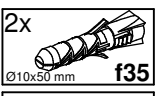
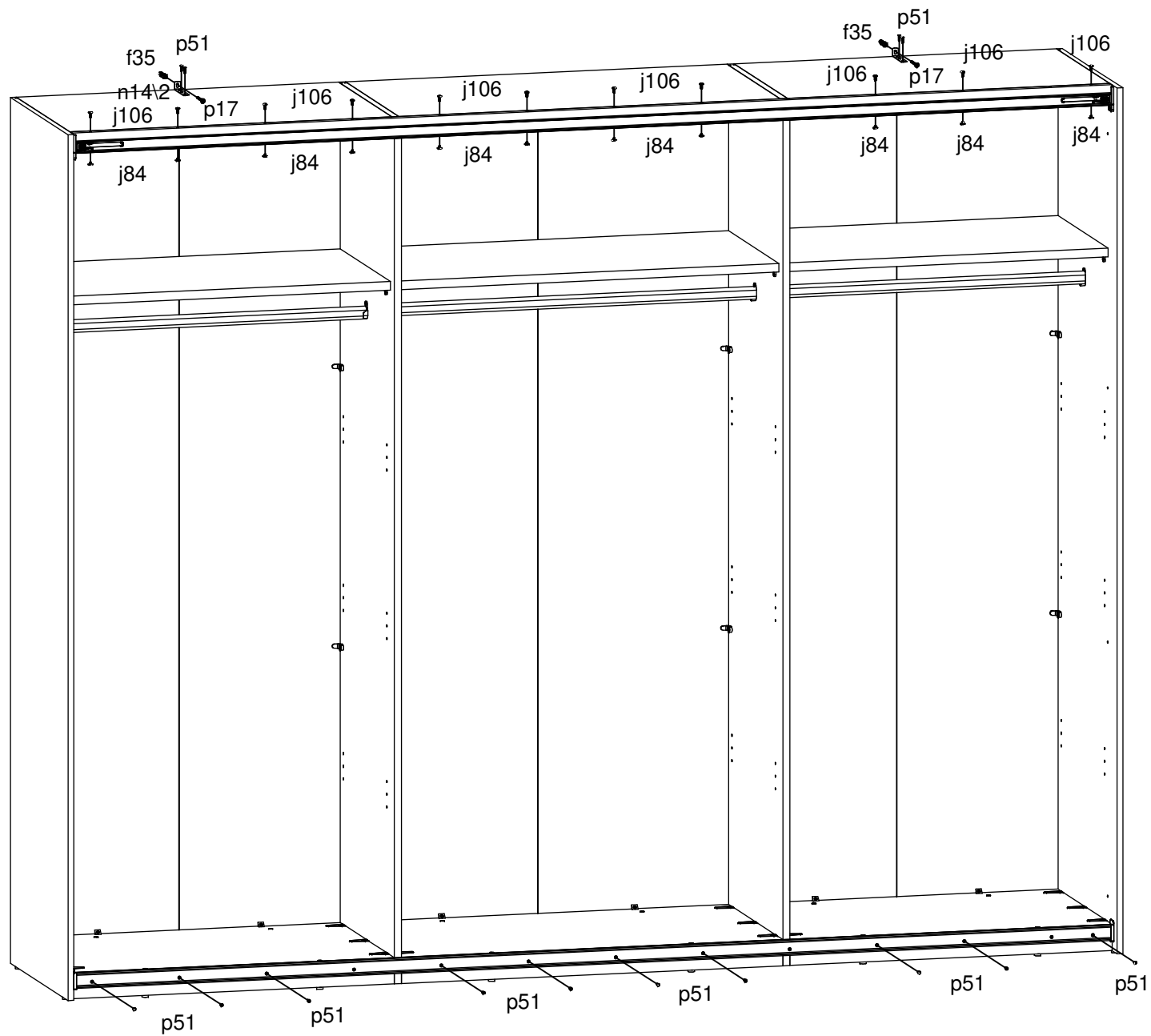
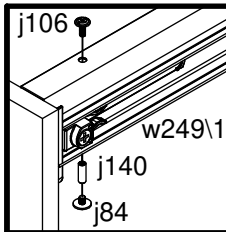
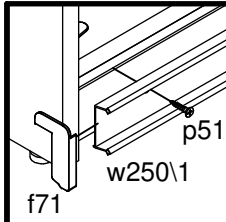
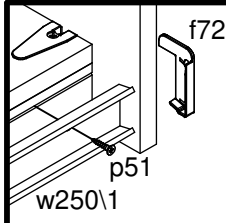
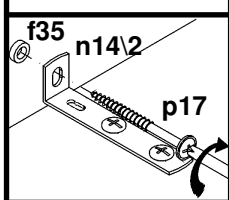
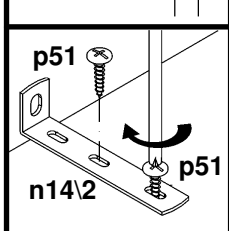
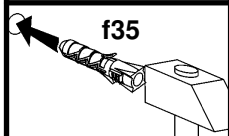
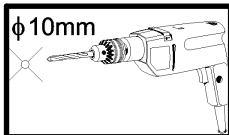
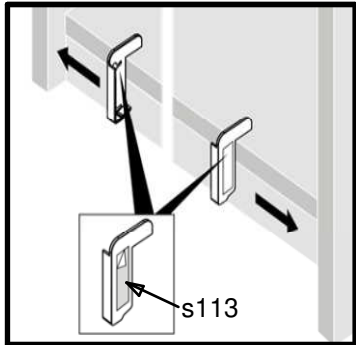
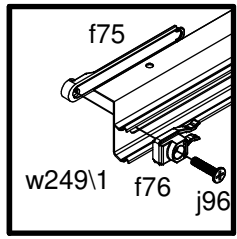
7 



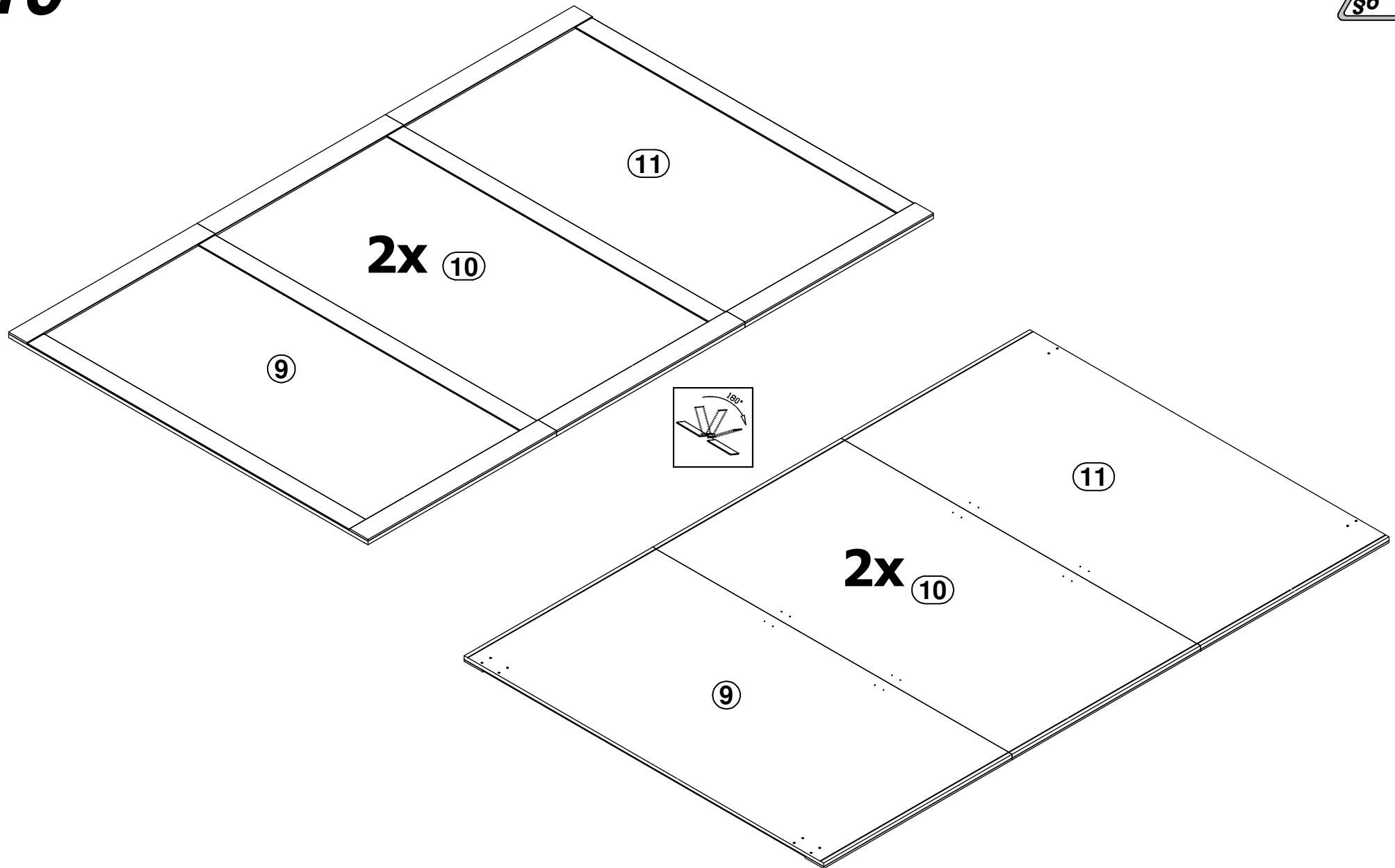
**8** 



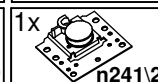
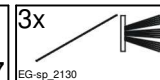
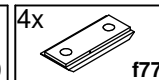
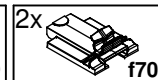
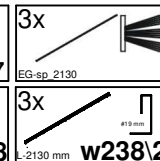
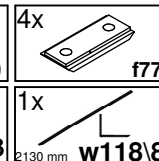
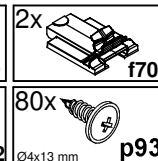
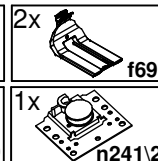
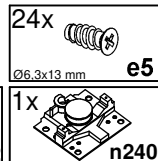
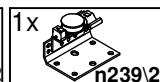
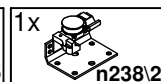
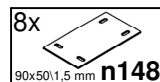
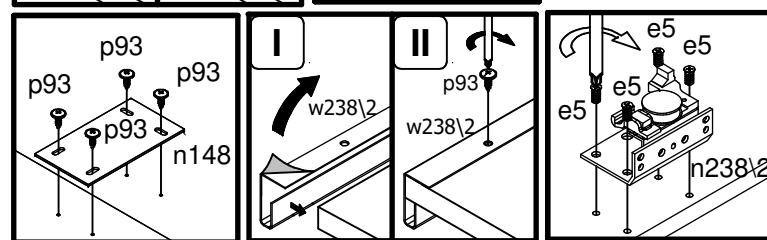
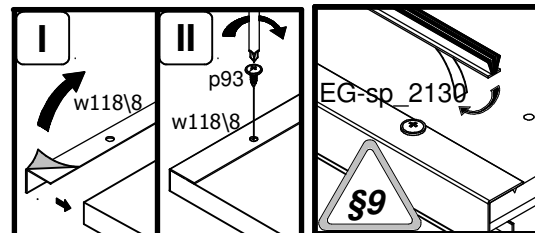
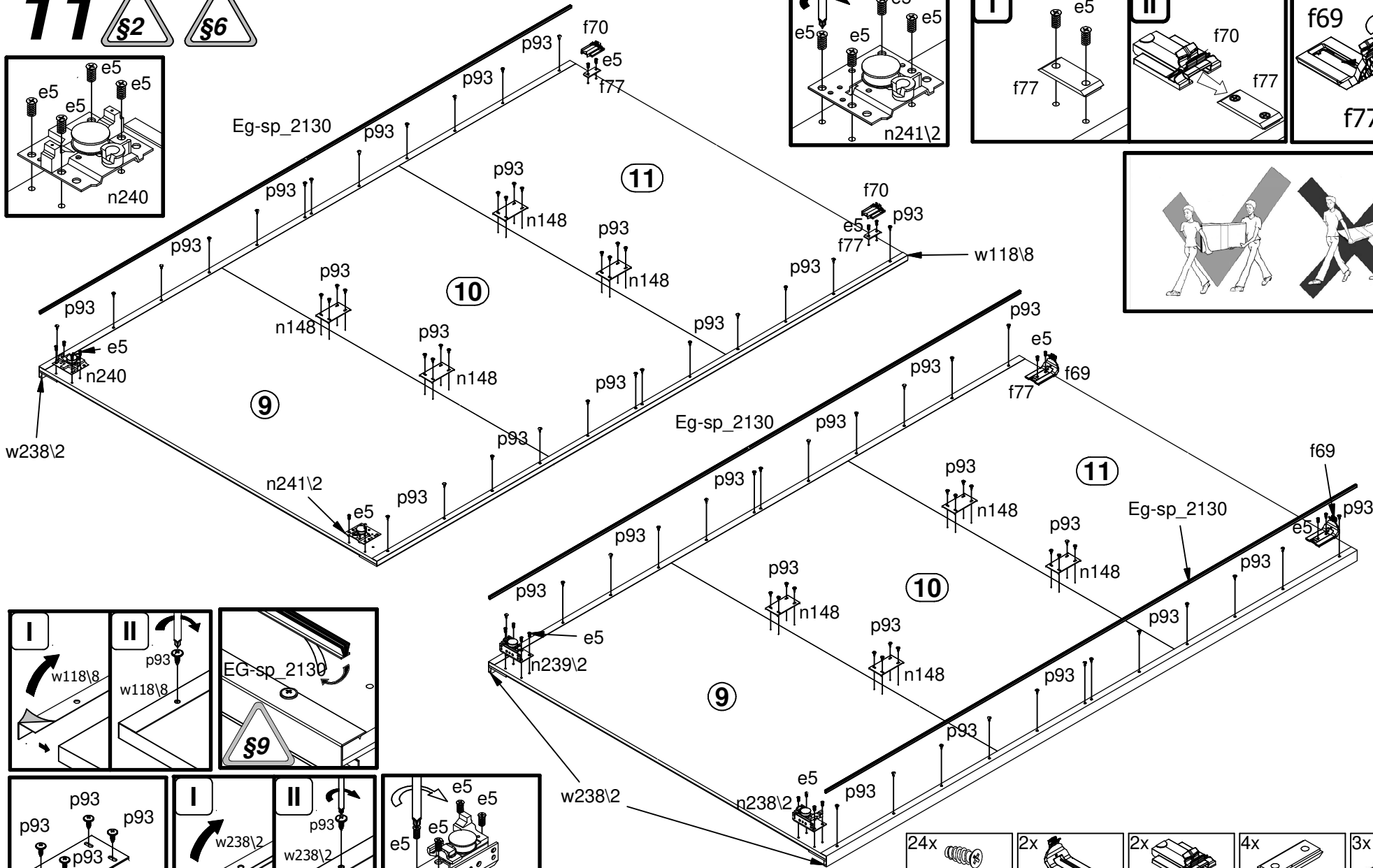
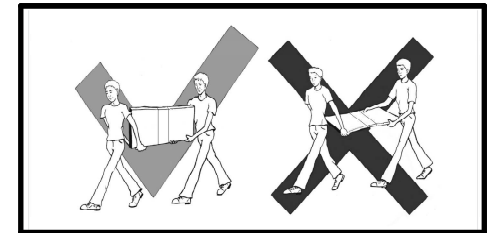
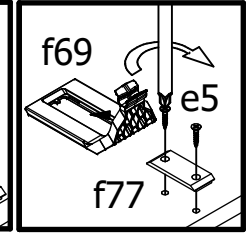
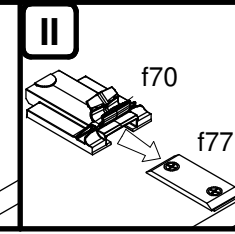
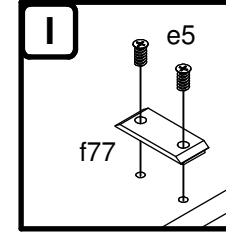
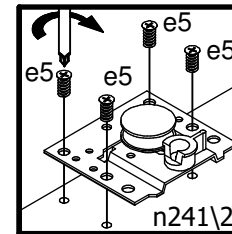
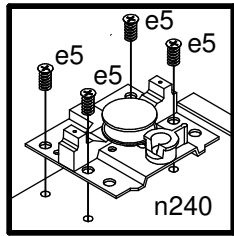
9 



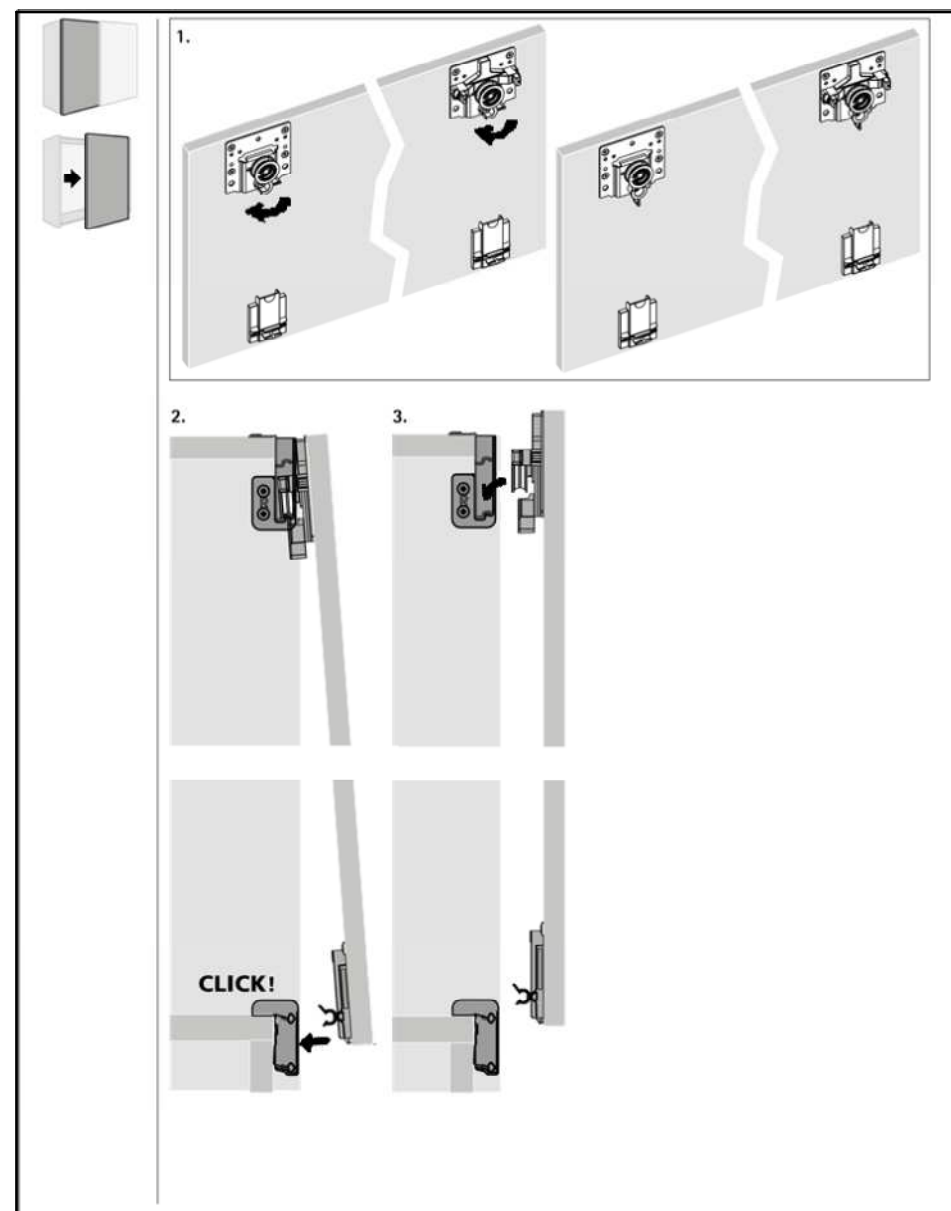
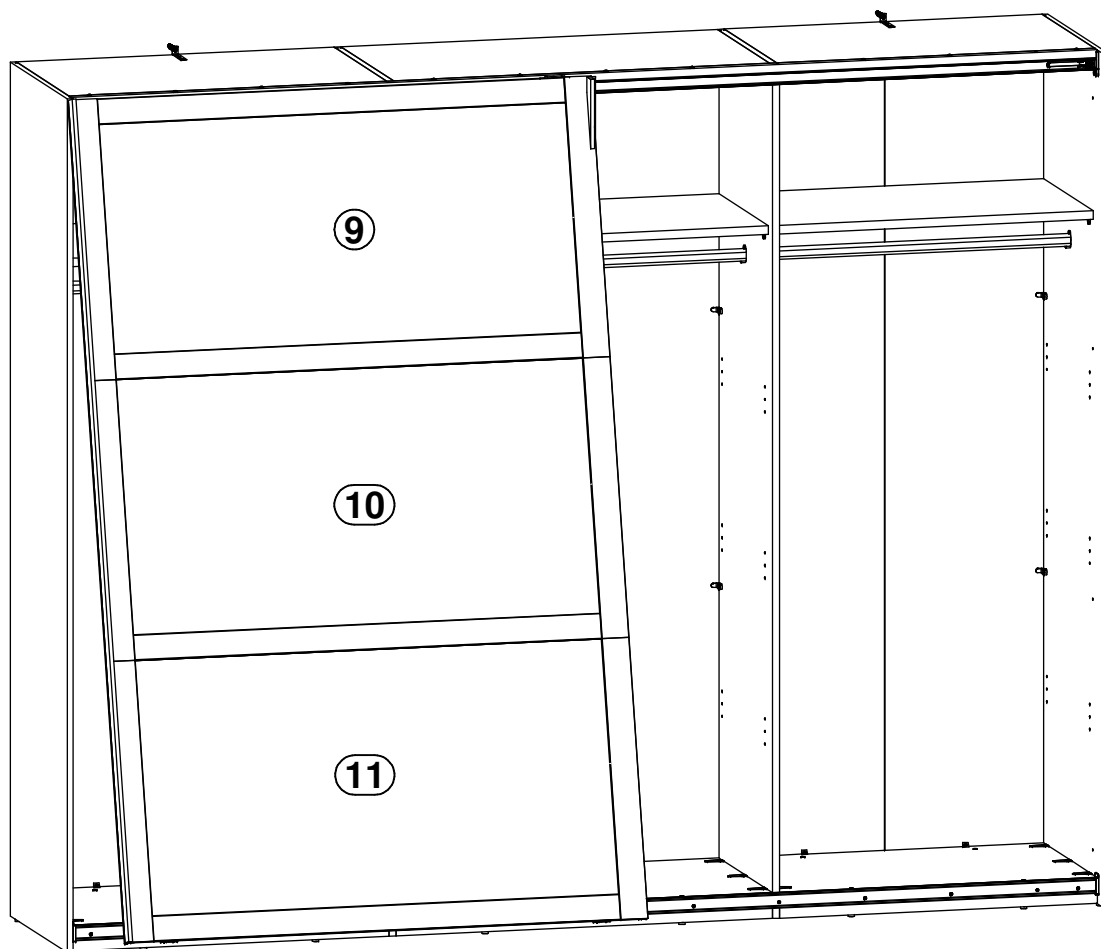
10



11 §2 §6

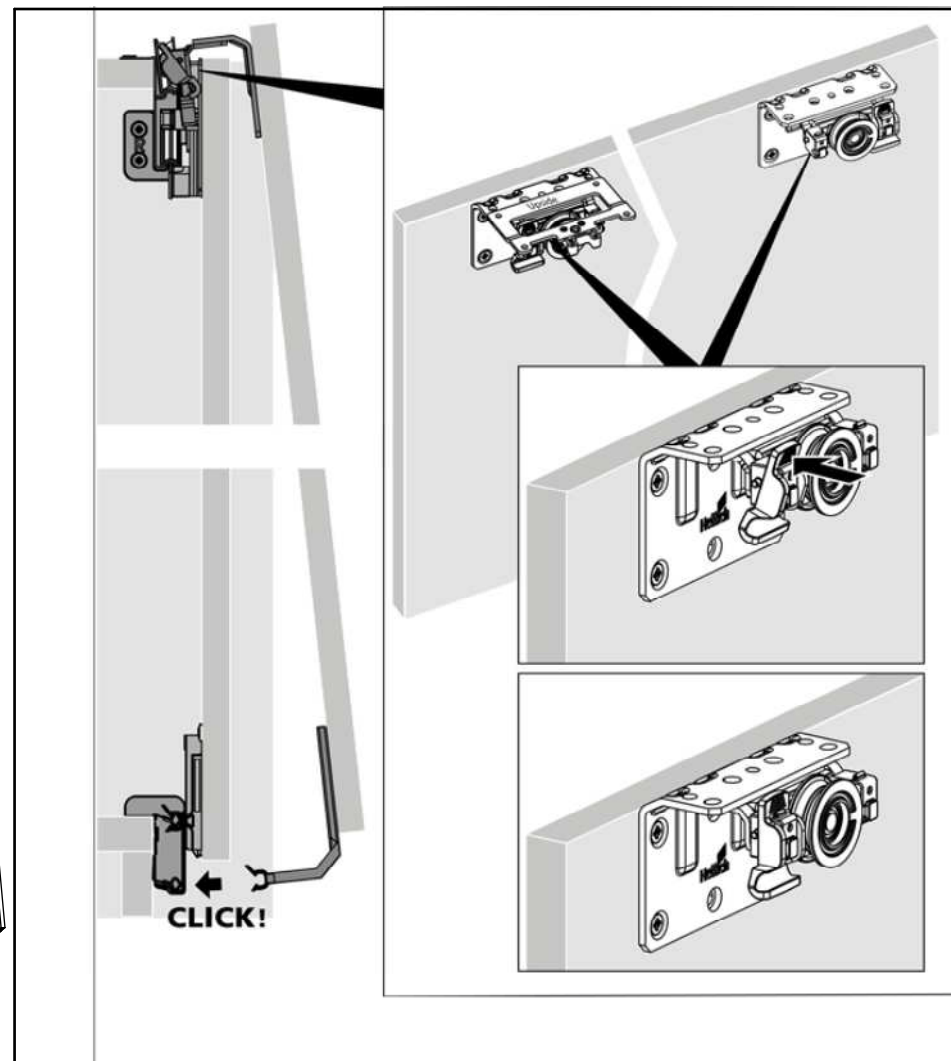
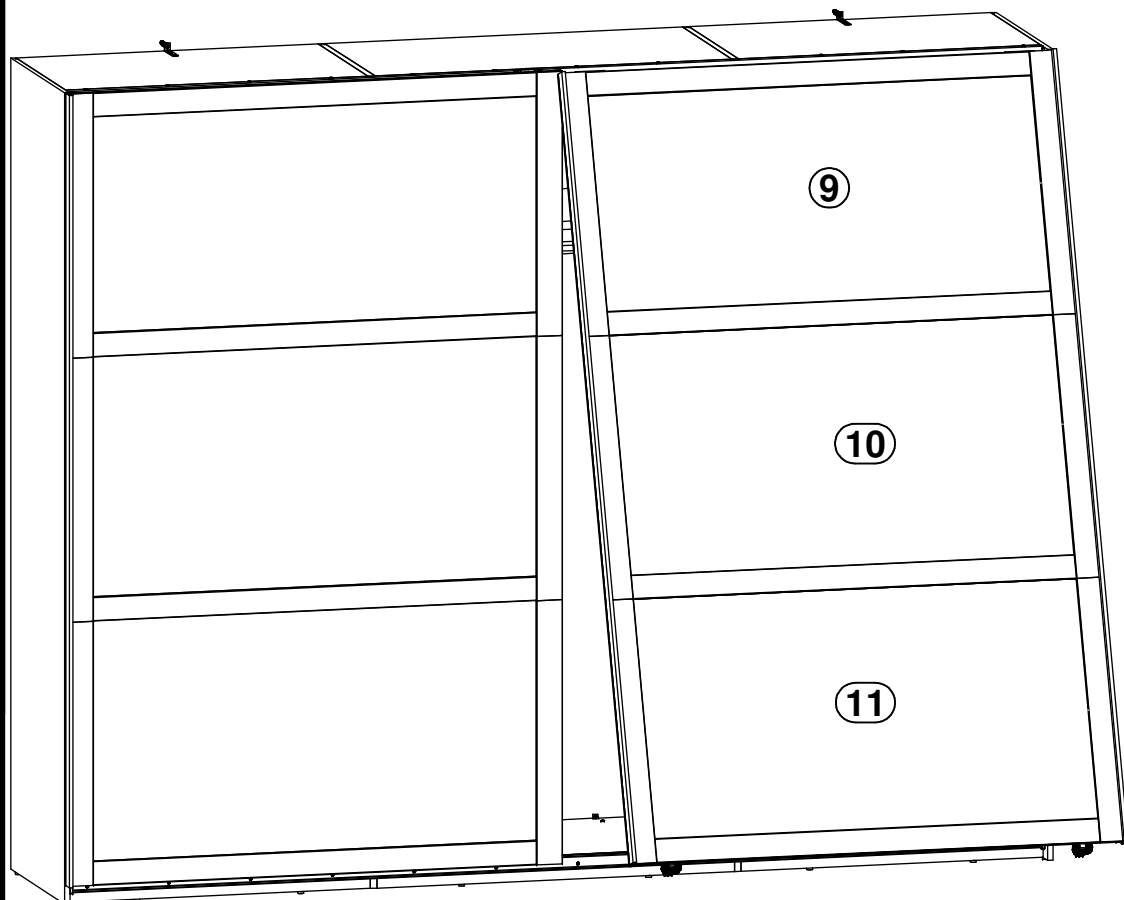


12 





13 



14

