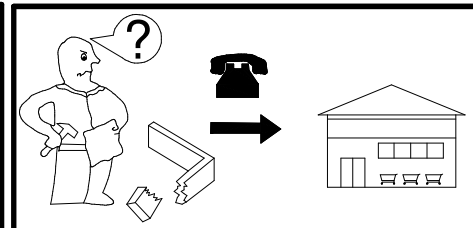
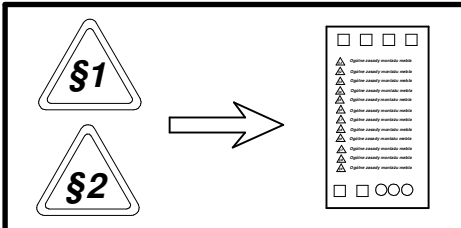
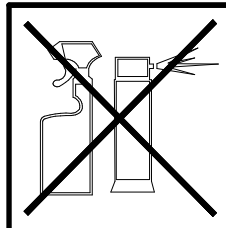
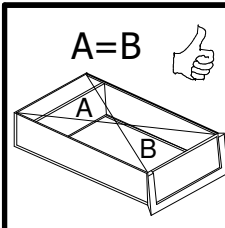
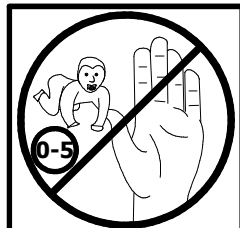
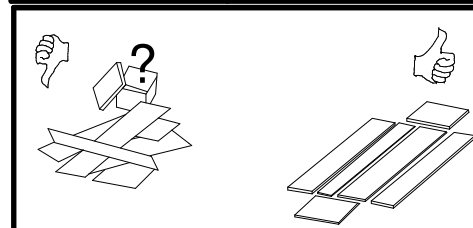
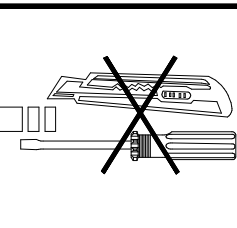
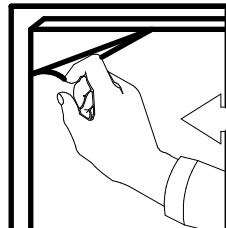
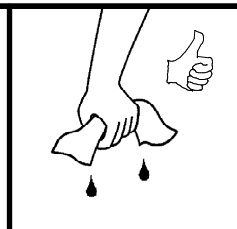
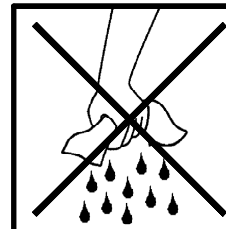
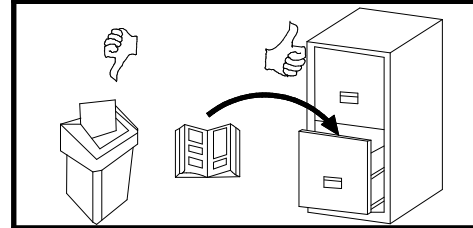
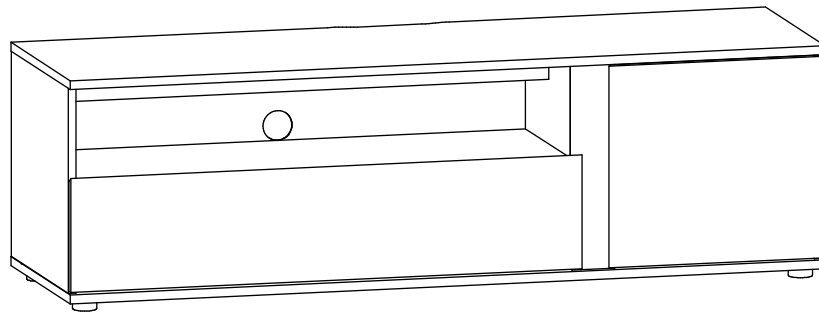
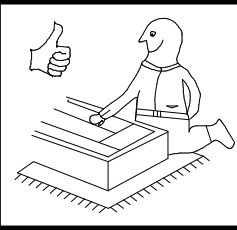
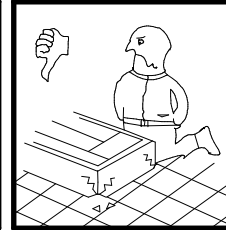
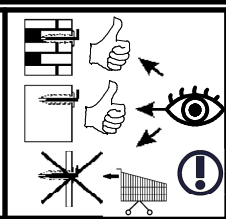
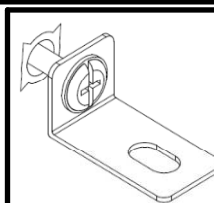
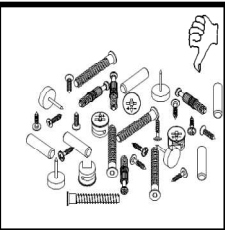
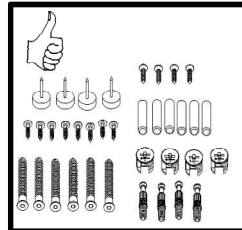
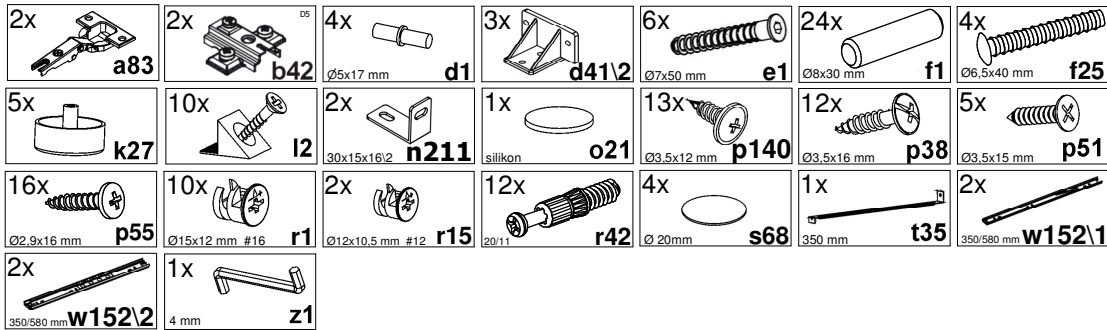
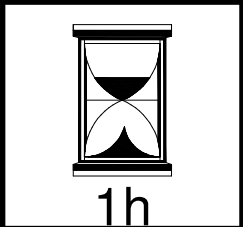
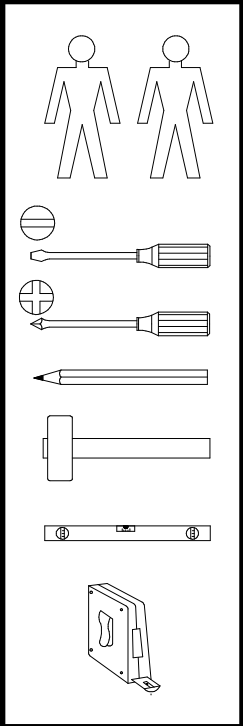


**A**

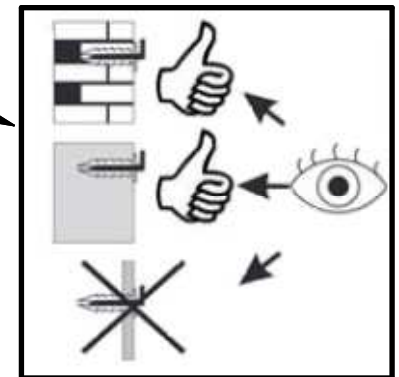
**S634-RTV1D1S**

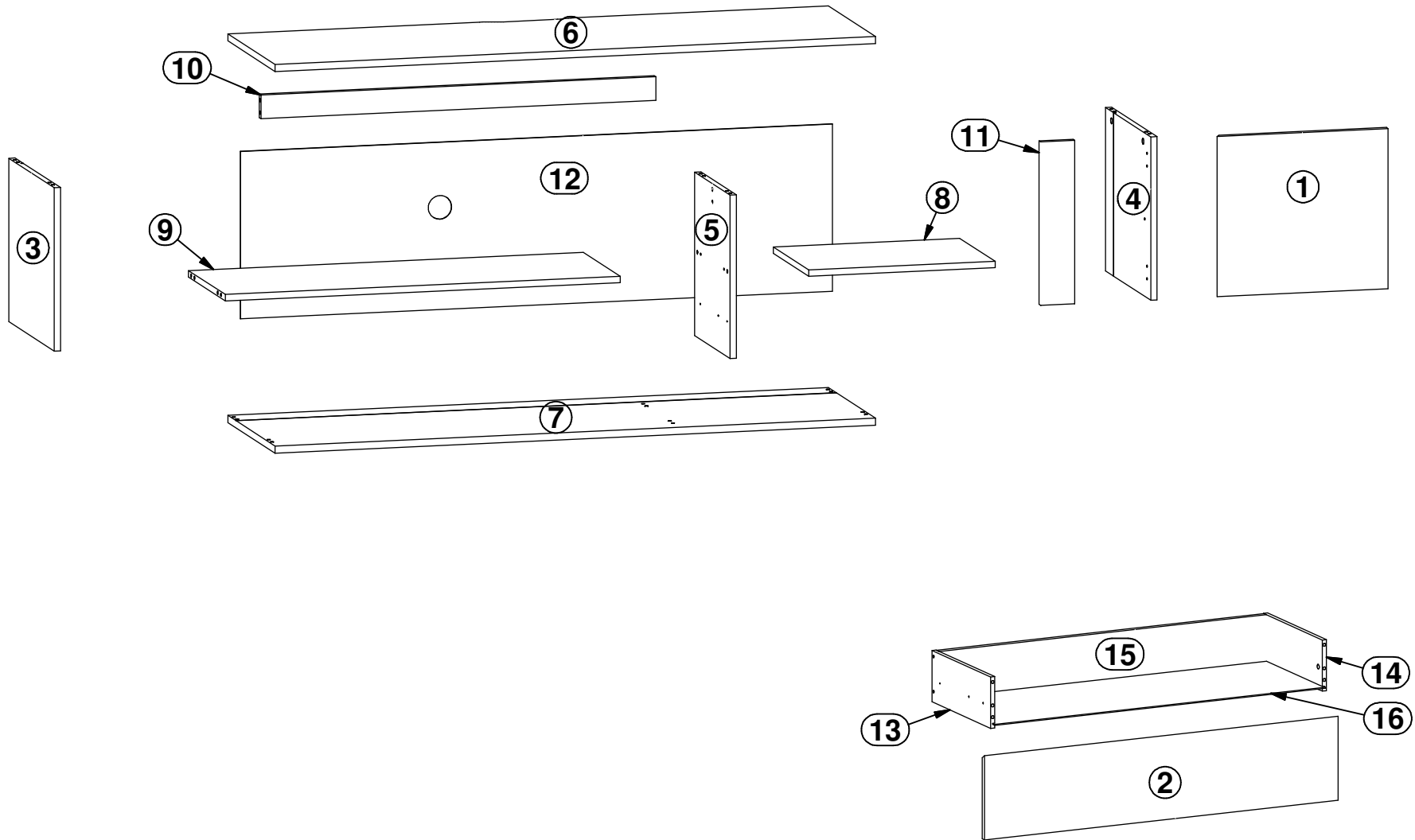
**LUEN**

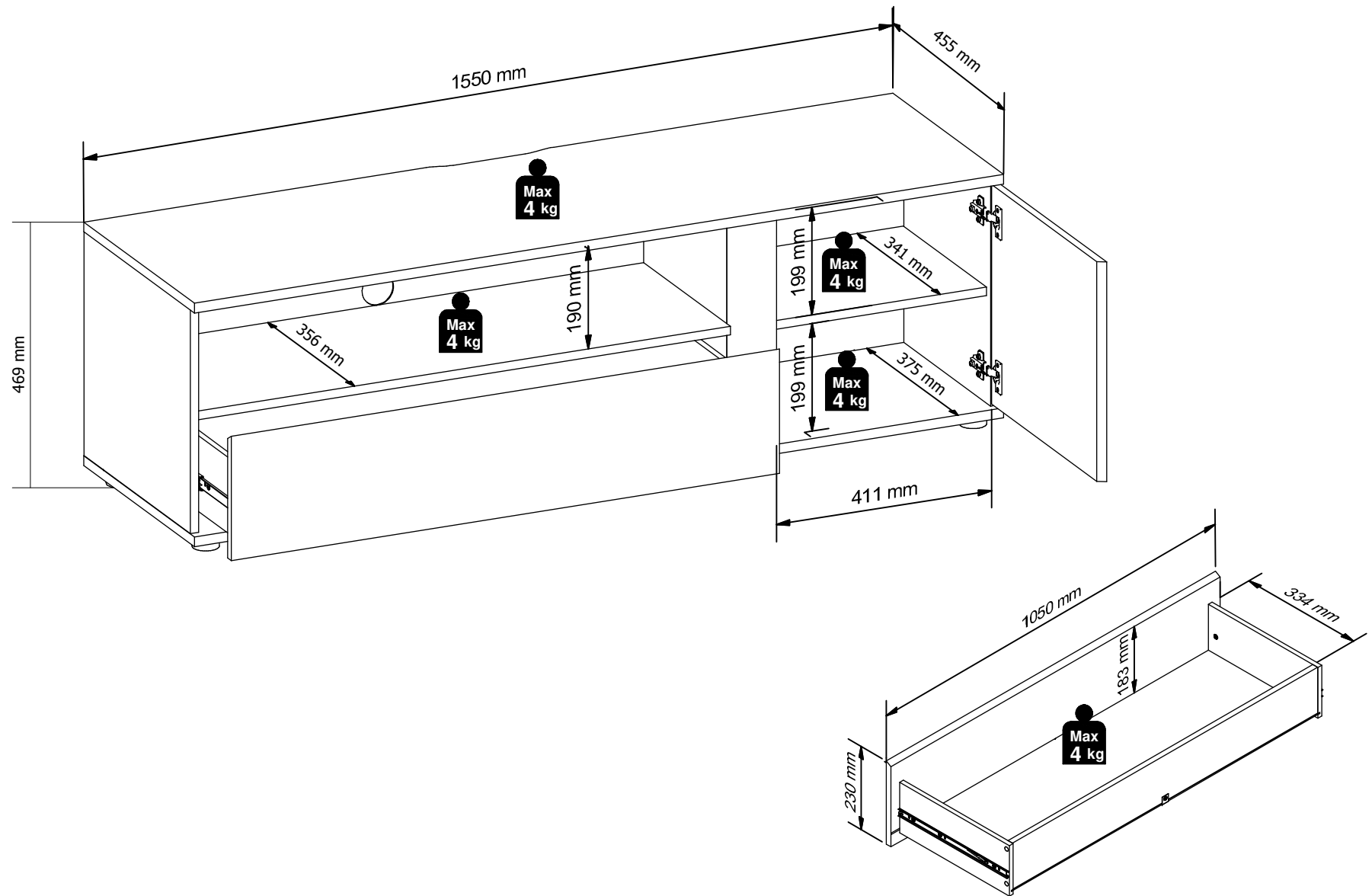






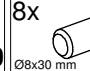

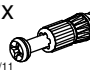

| A  | B1        | B2 | C1   | C2  | C3  | D   |
|----|-----------|----|------|-----|-----|-----|
| 1  | S634-0013 | -4 | 406  | 441 | 15  | 2/2 |
| 2  | S634-0014 | -4 | 1050 | 230 | 15  | 2/2 |
| 3  | S634-1017 | -3 | 414  | 437 | 16  | 2/2 |
| 4  | S634-1018 | -3 | 414  | 437 | 16  | 2/2 |
| 5  | S634-1019 | -4 | 414  | 341 | 16  | 2/2 |
| 6  | S634-2011 | -3 | 1550 | 455 | 18  | 1/2 |
| 7  | S634-2012 | -3 | 1550 | 455 | 18  | 1/2 |
| 8  | S634-3017 | -4 | 481  | 341 | 16  | 2/2 |
| 9  | S634-3018 | -3 | 1019 | 356 | 16  | 2/2 |
| 10 | S634-4001 | -2 | 1019 | 60  | 16  | 2/2 |
| 11 | S634-5007 | -3 | 414  | 88  | 16  | 2/2 |
| 12 | S634-9011 | -3 | 1527 | 424 | 2,5 | 1/2 |
| 13 | WSK3-5005 | -5 | 350  | 140 | 12  | 2/2 |
| 14 | WSK3-5006 | -5 | 350  | 140 | 12  | 2/2 |
| 15 | STK-5030  | -  | 973  | 127 | 15  | 2/2 |
| 16 | WSD-9047  | -1 | 983  | 358 | 2,5 | 2/2 |

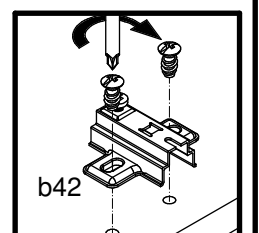
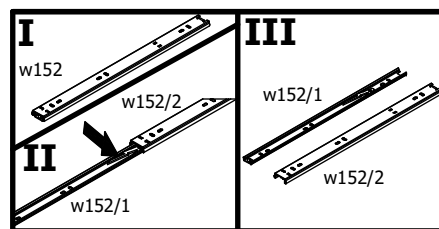
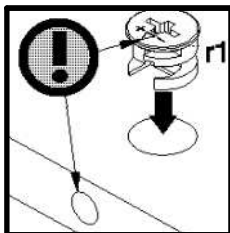
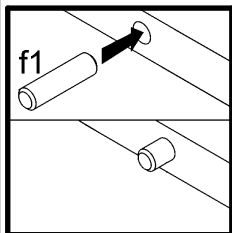
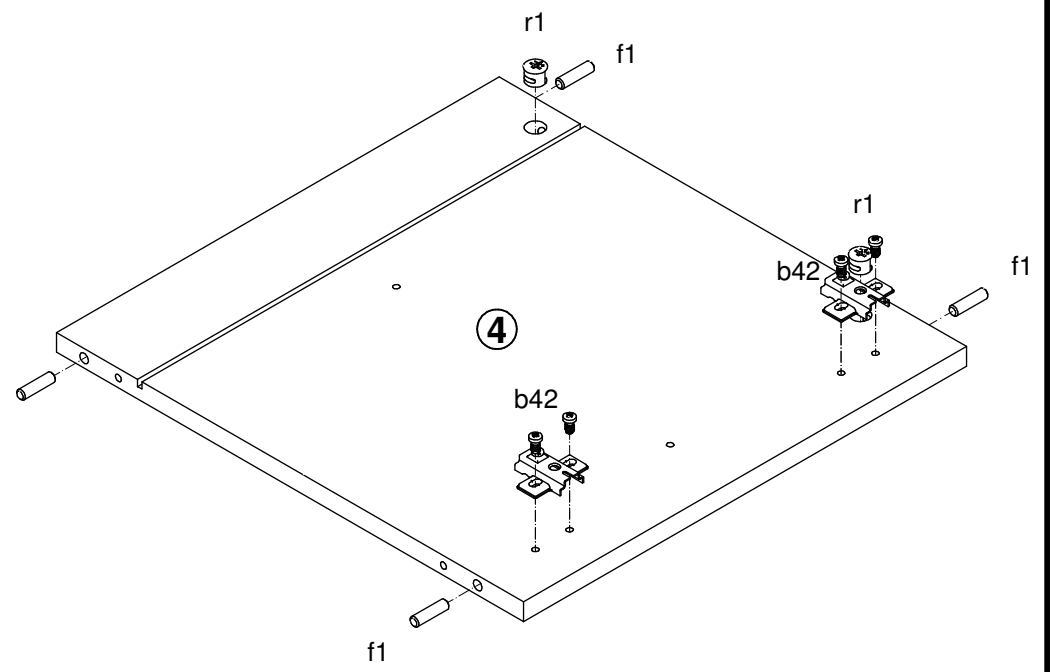
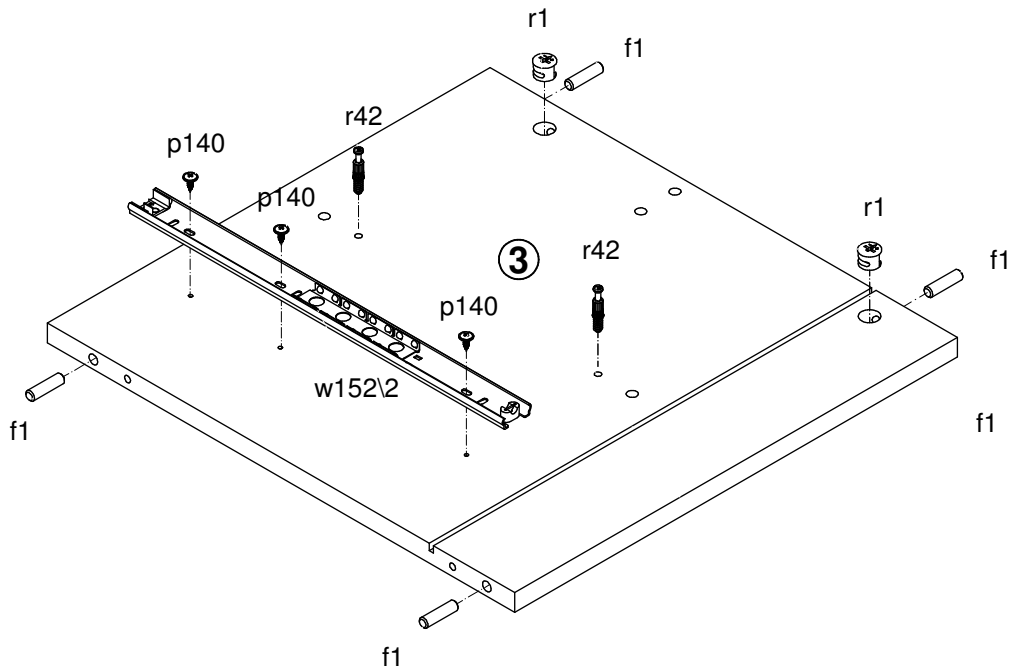




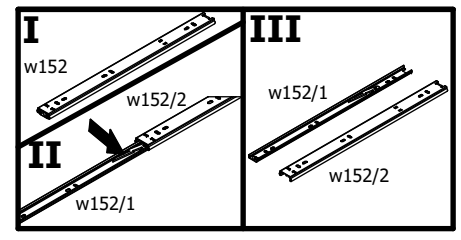
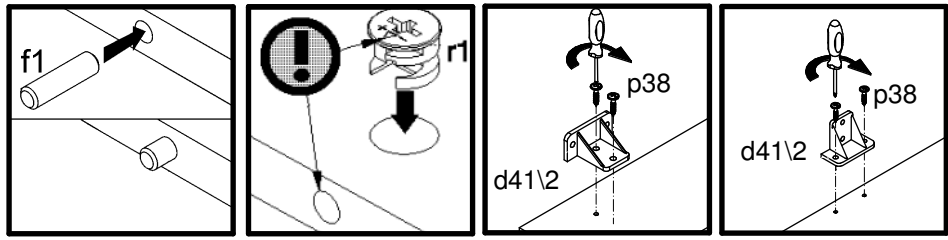
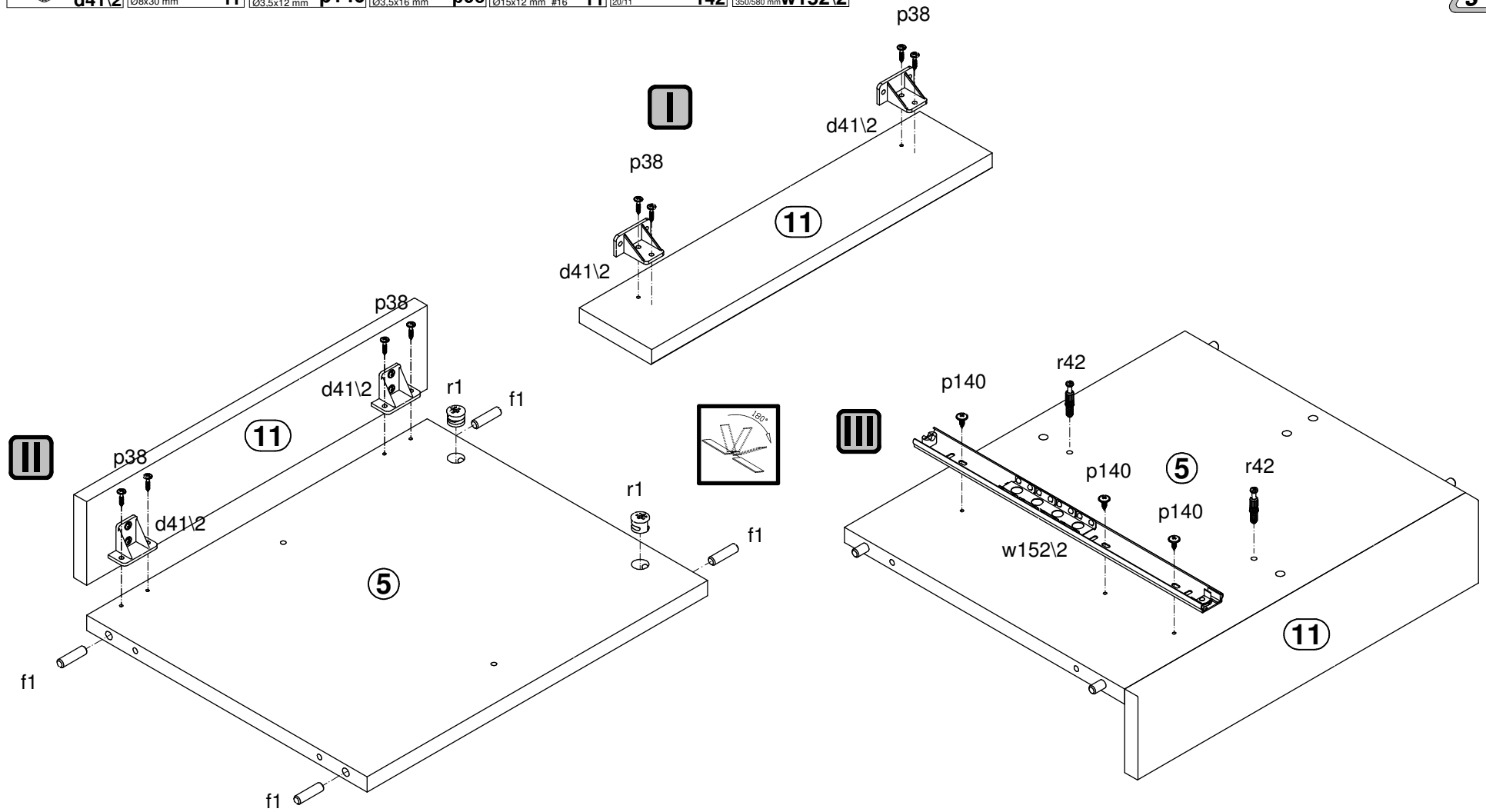


# 1

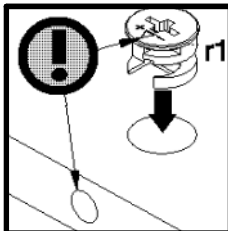
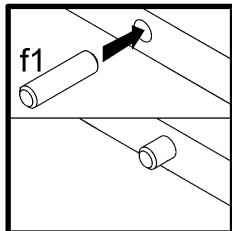
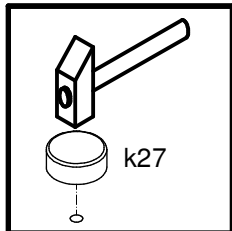
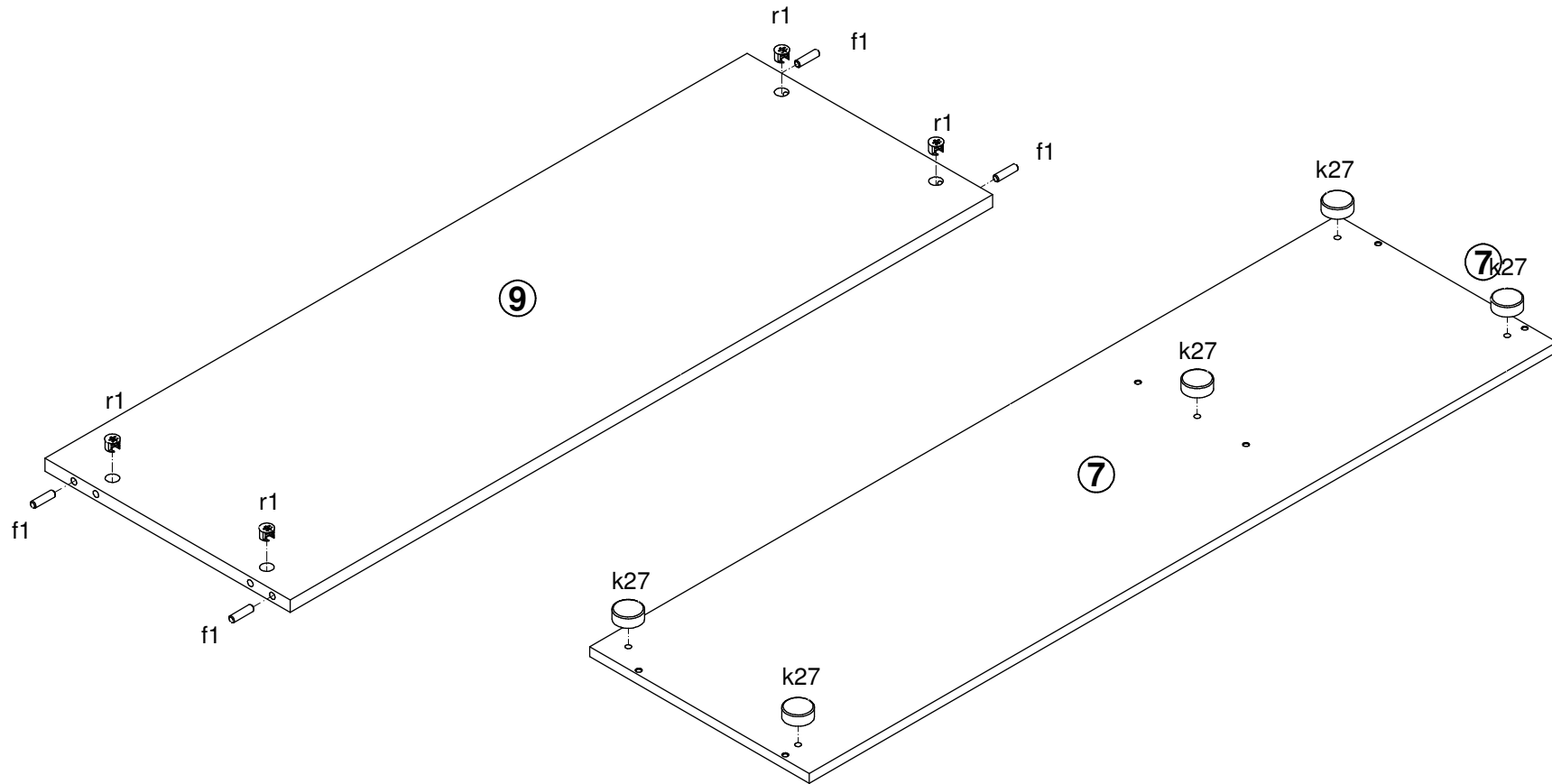
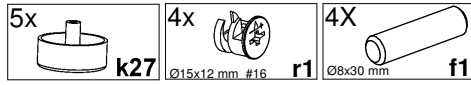
- 2x  **b42**
- 3x  **p140**  
Ø3,5x12 mm
- 8x  **f1**  
Ø8x30 mm
- 4x  **r1**  
Ø15x12 mm #16
- 2x  **r42**  
20/11
- 1x  **w152/2**  
350/580 mm



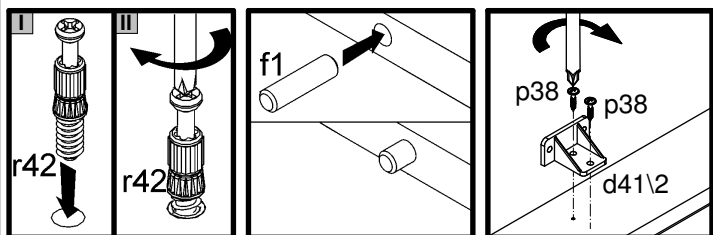
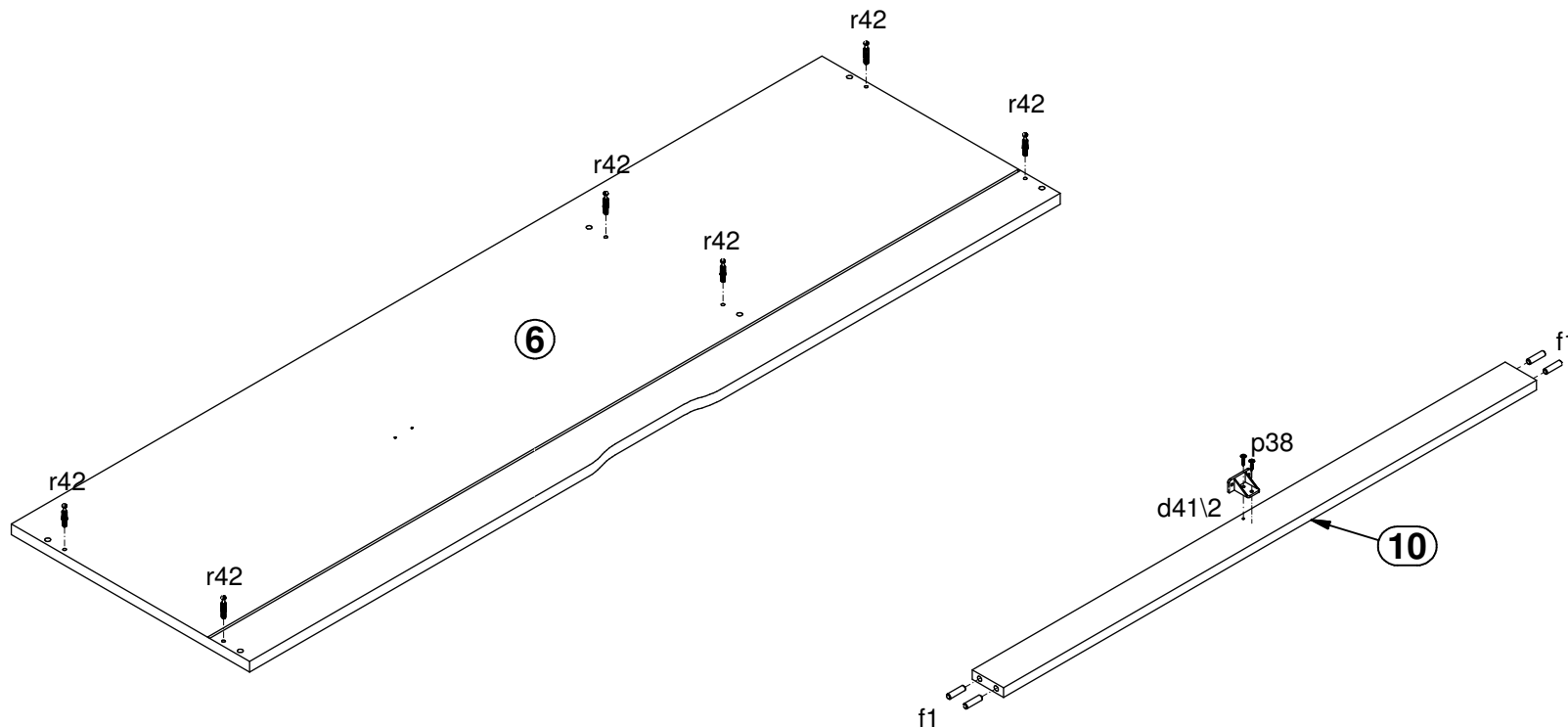
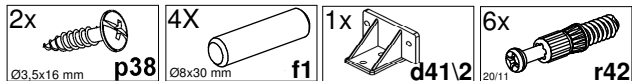
- 2x d41\2
- 4x f1
- 3x p140
- 8x p38
- 2x r1
- 2x r42
- 1x w152\2



3

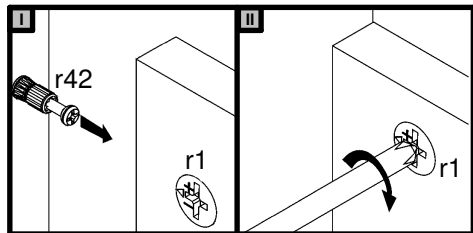
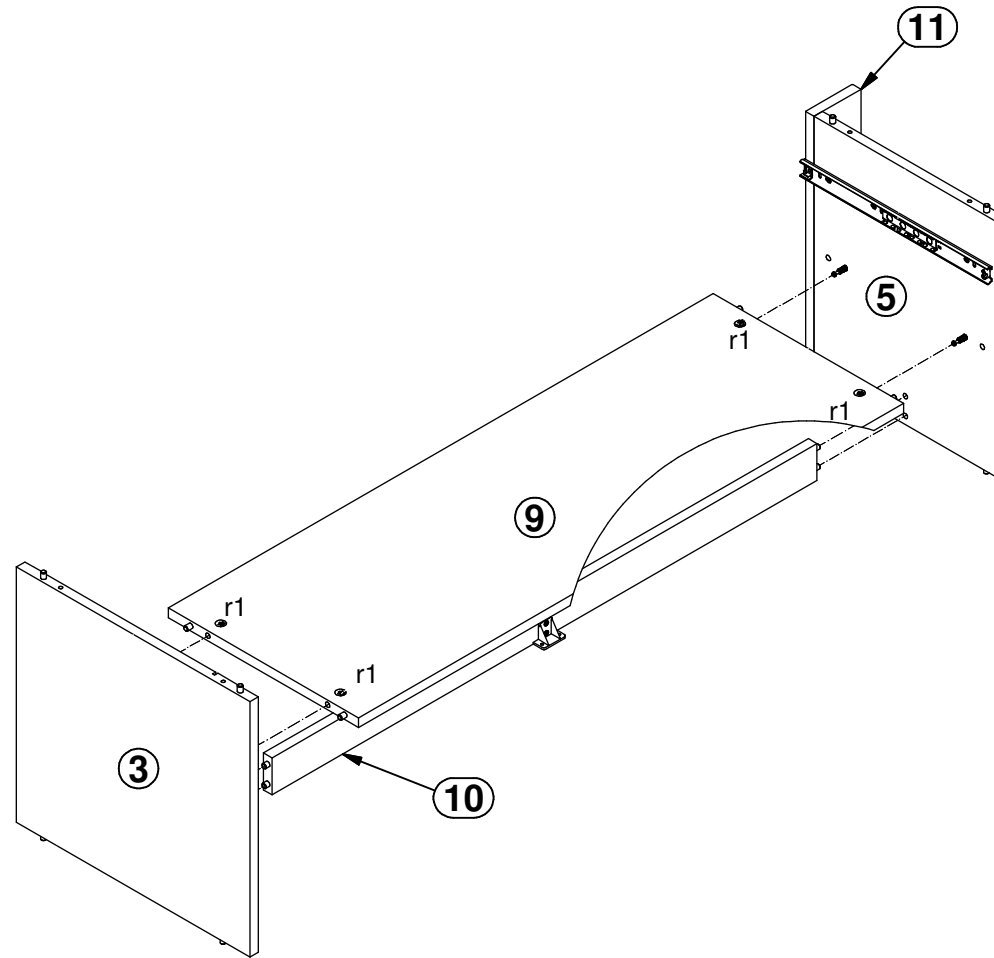


4

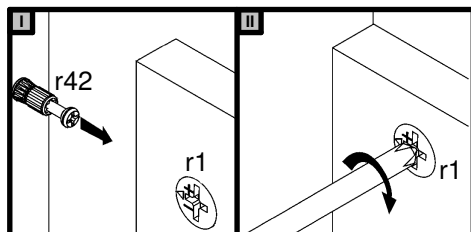
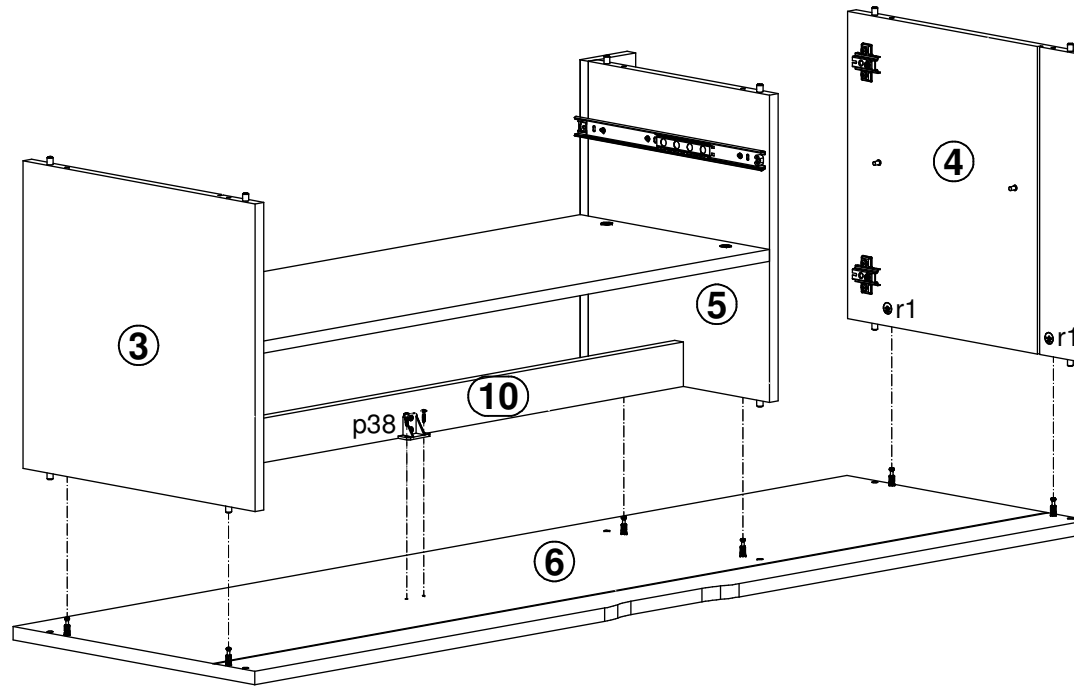
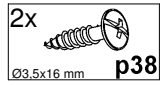


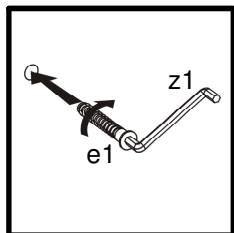
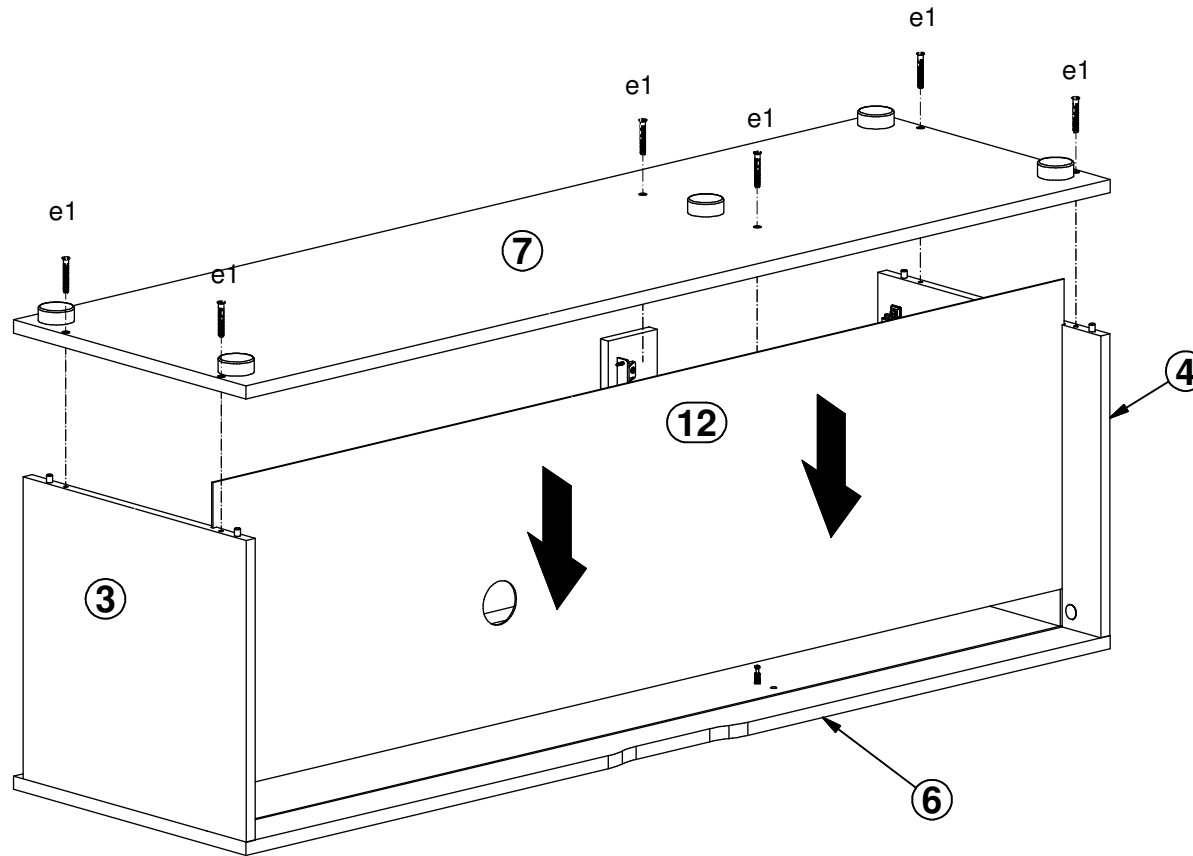
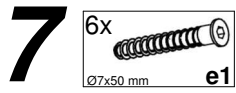


# 5

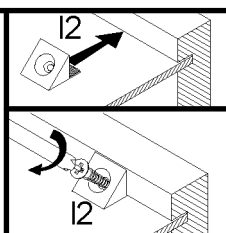
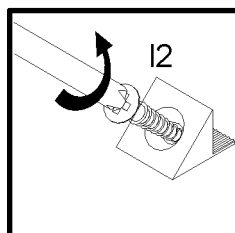
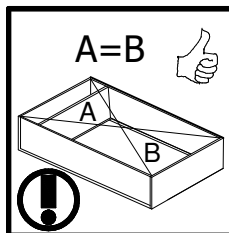
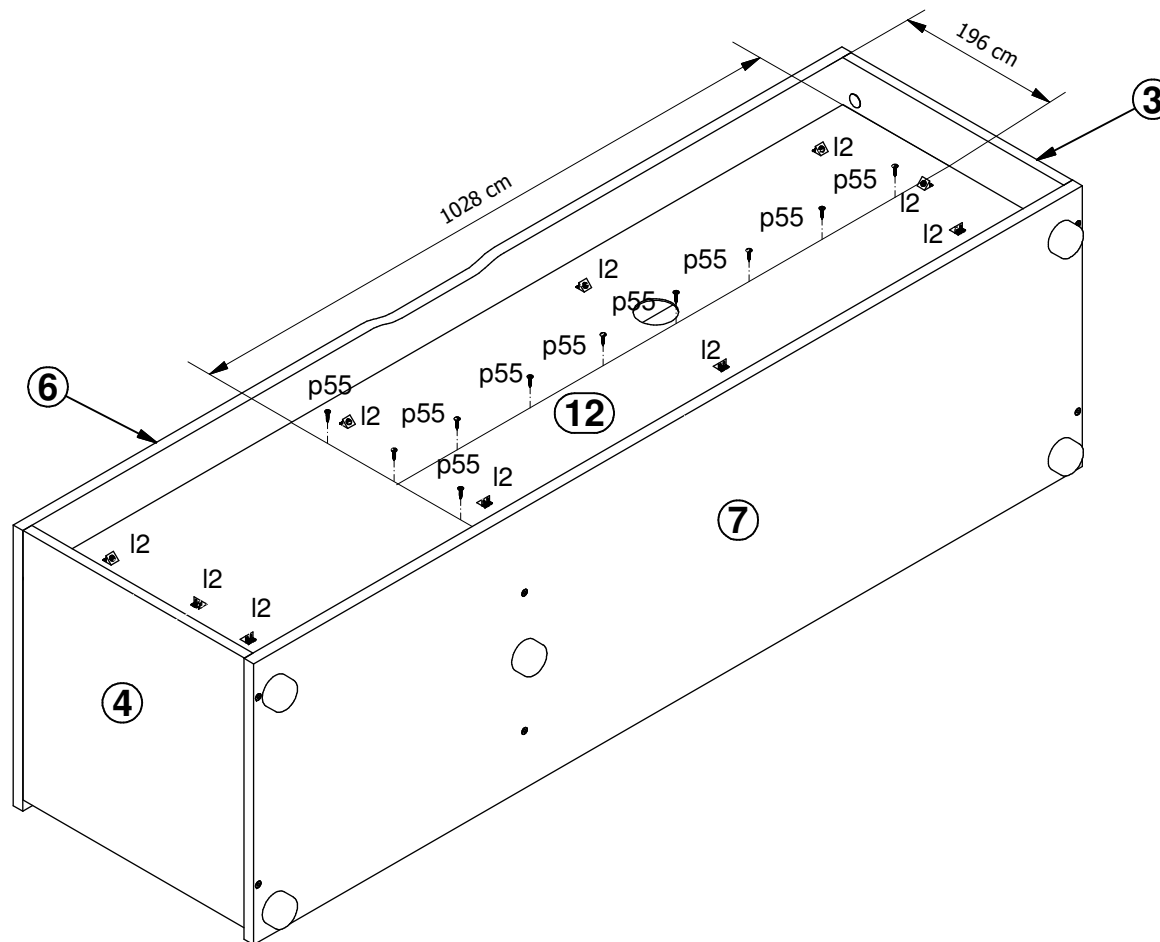
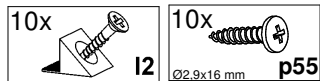


6



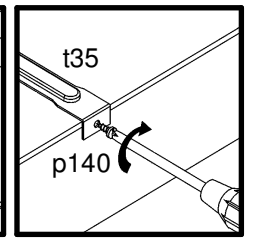
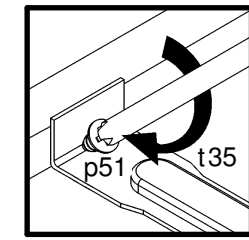
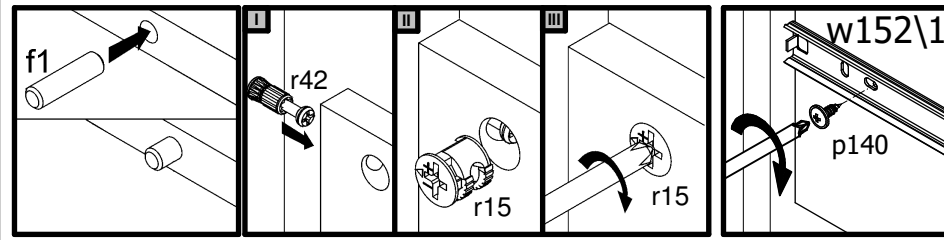
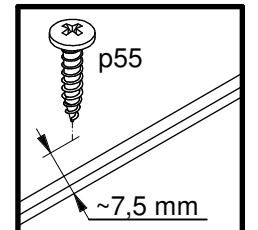
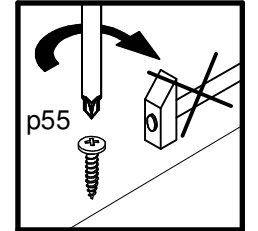
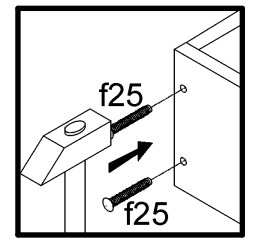
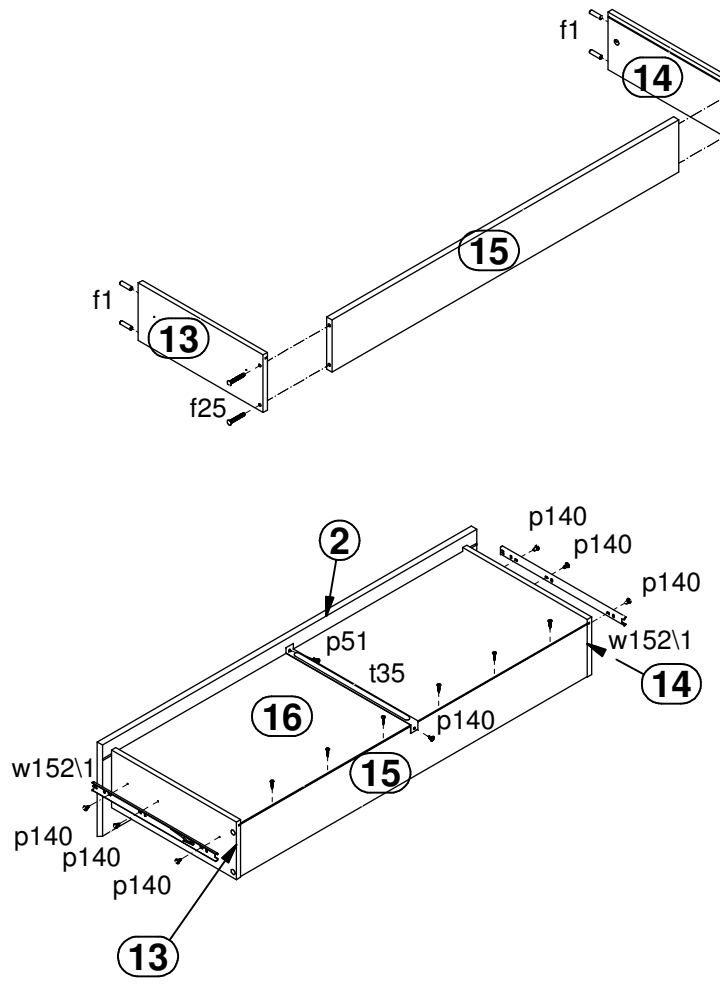
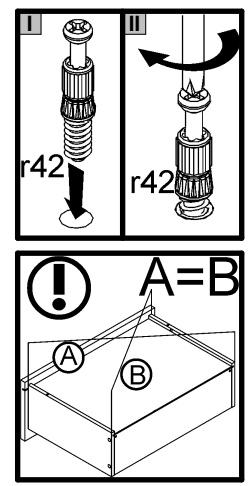
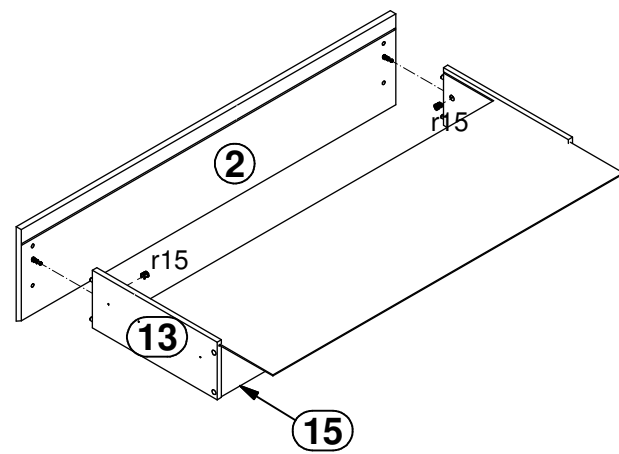
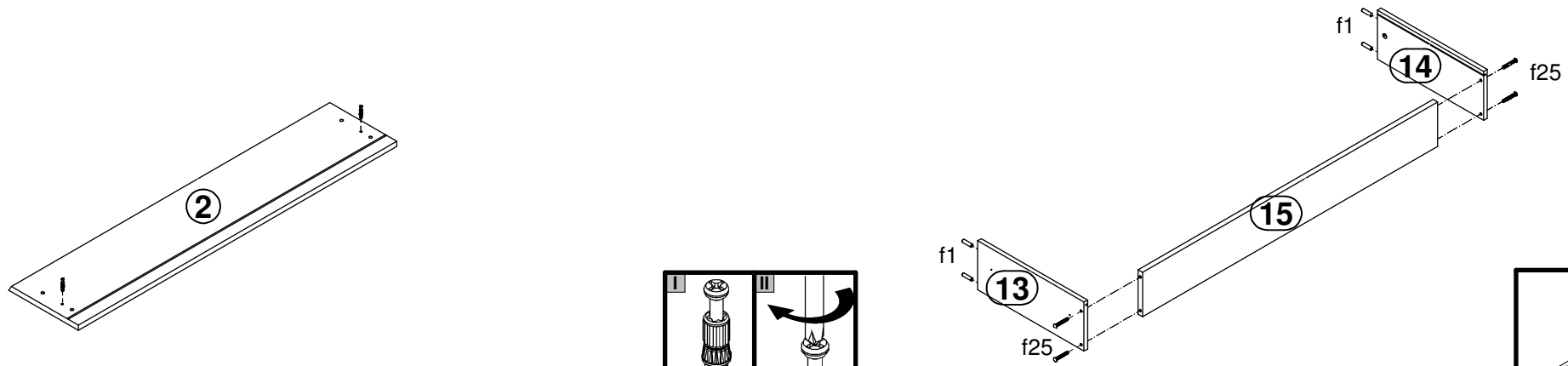


8

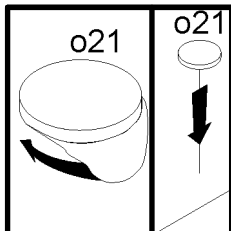
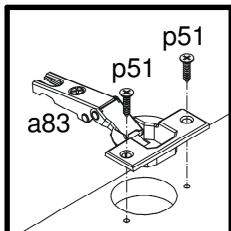
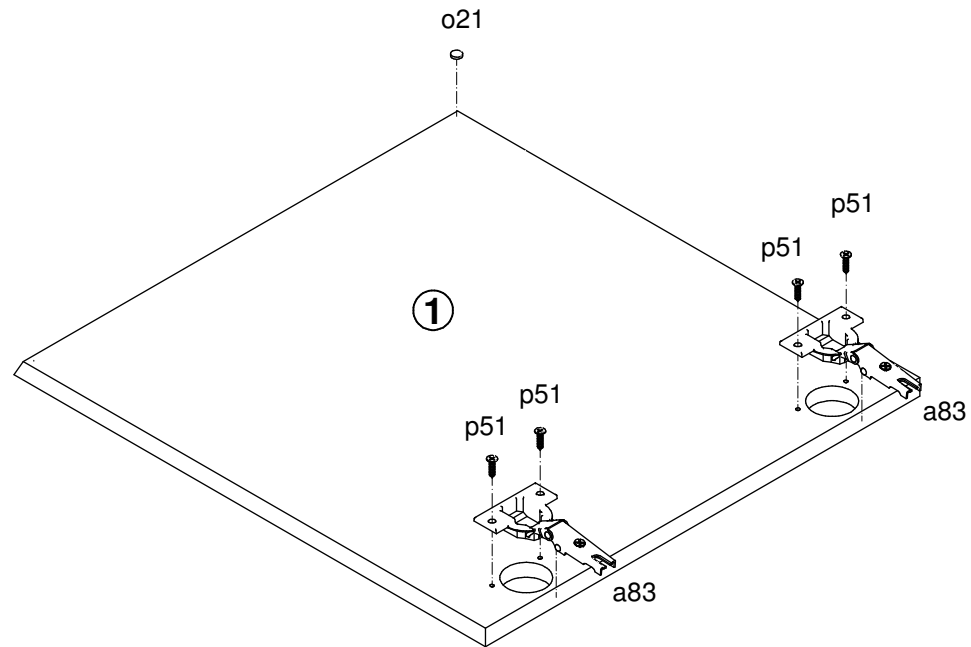
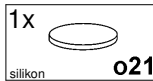
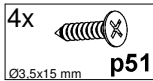
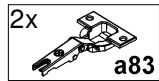


9

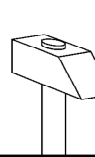
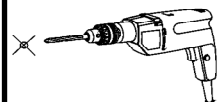
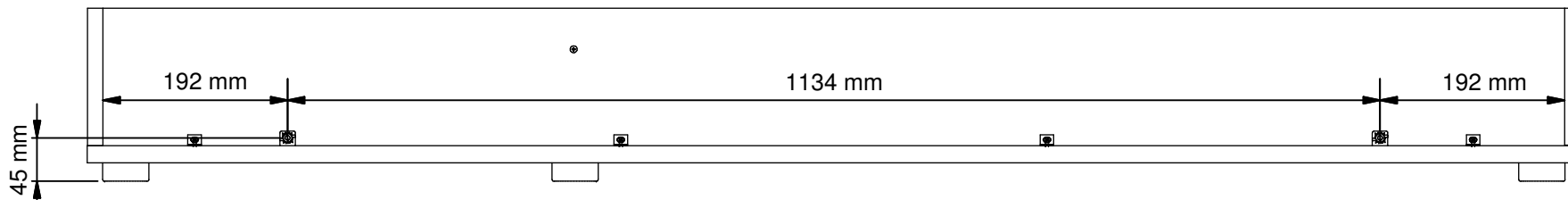
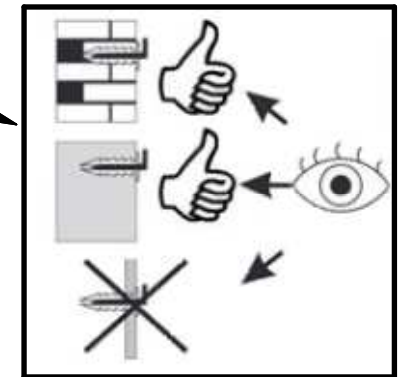
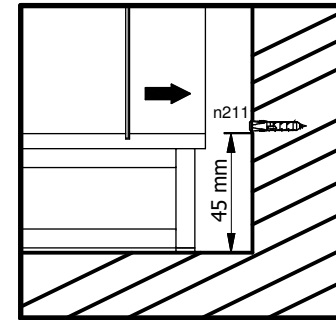
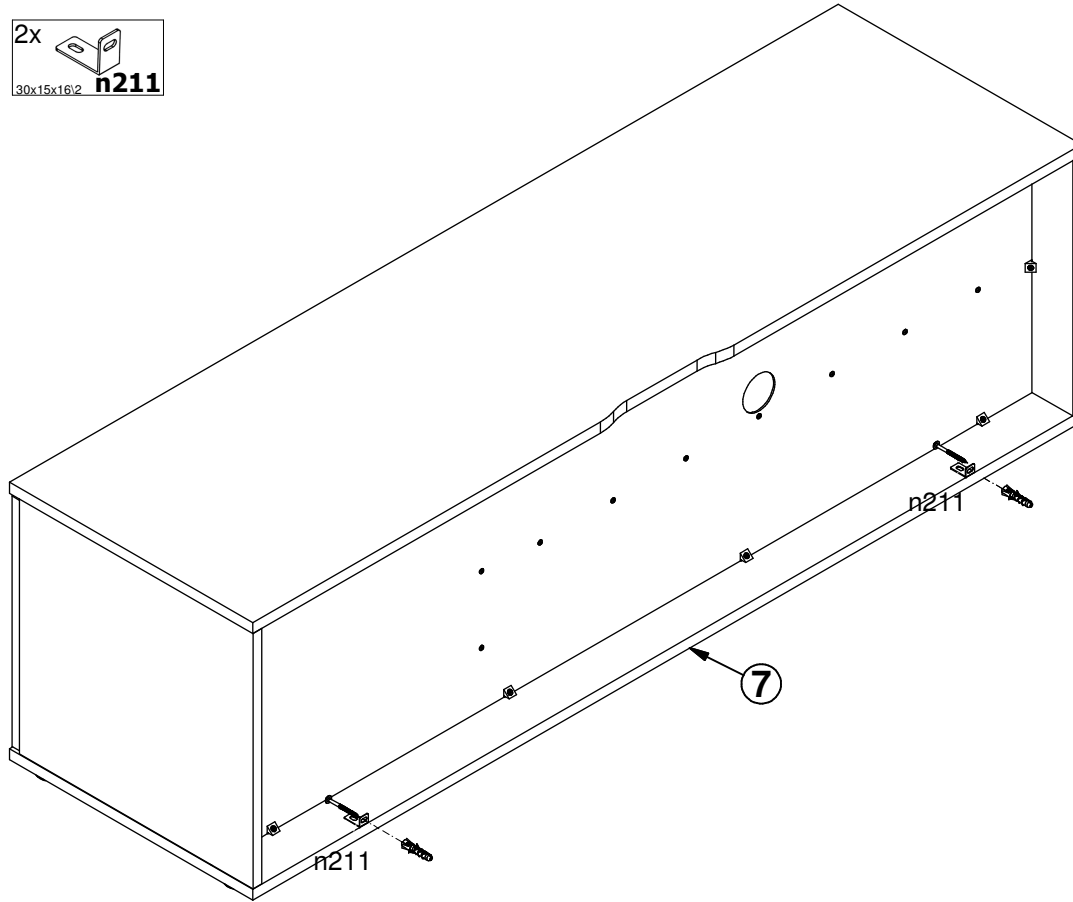
- 4x  $\varnothing 6.5 \times 40$  mm f25
- 4x  $\varnothing 8 \times 30$  mm f1
- 6  $\varnothing 2.9 \times 16$  mm p55
- 7x  $\varnothing 3.5 \times 12$  mm p140
- 1x  $\varnothing 3.5 \times 15$  mm p51
- 2x  $\varnothing 12 \times 10.5$  mm #12 r15
- 2x  $\varnothing 20 \times 11$  r42
- 1  $\varnothing 350$  mm t35
- 2x  $\varnothing 350 / 580$  mm w152\1



10



**11** 2x  
30x15x16/2 **n211**



n211



12

