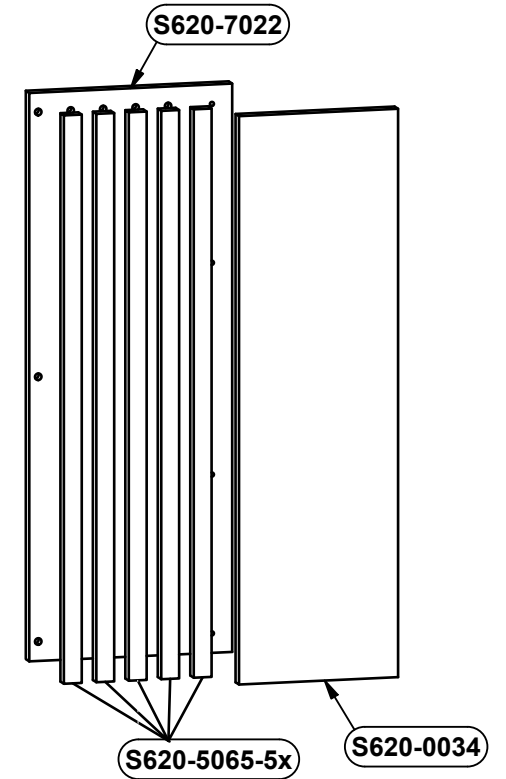
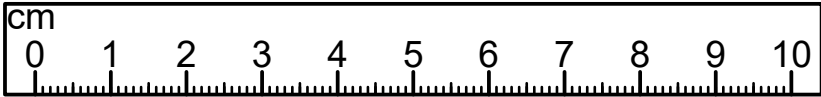
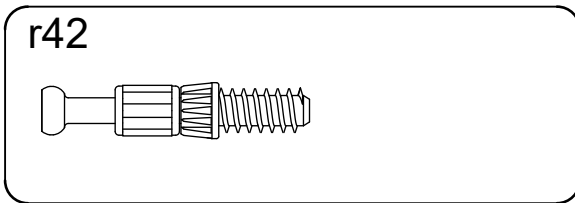
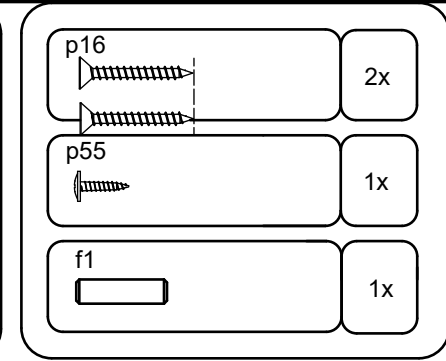
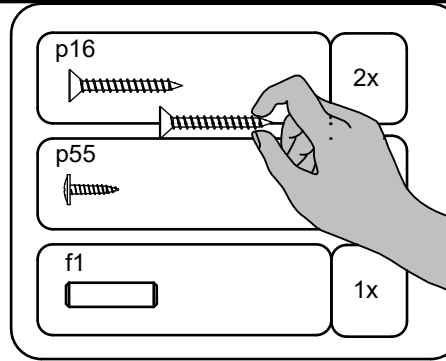


	B1	B2	C1	C2	C3	C4	D
S620-0034	-.1	687	196	16	1	1	1/2
S620-1036	-.1	727	596	16	1	1	2/2
S620-1037	-.1	695	580	16	1	1	1/2
S620-1038	-.1	695	564	16	1	1	1/2
S620-2022	-.1	1200	600	18	1	1	2/2
S620-3026	-.1	401	600	18	1	1	2/2
S620-3027	-.1	366	500	16	2	1	1/2
S620-4008	-.1	783	240	16	1	1	1/2
S620-4009	-.1	367	695	16	1	1	1/2
S620-5065	-.1	687	22	16	5	1	1/2
S620-7022	-.2	687	250	16	1	1	1/2



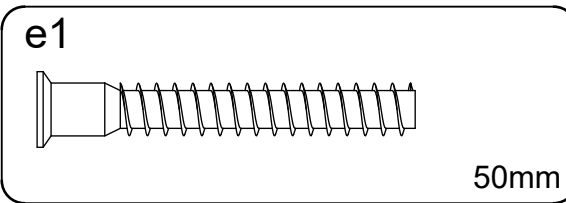


1:1



r42

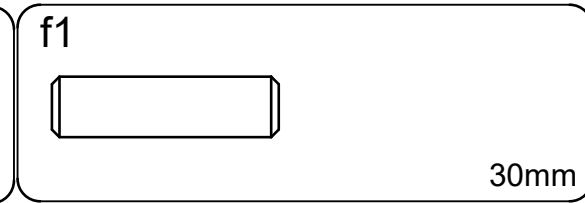
19x



e1

6x

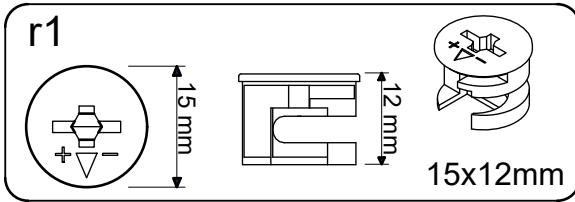
50mm



f1

18x

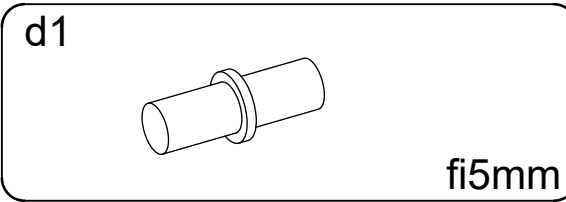
30mm



r1

19x

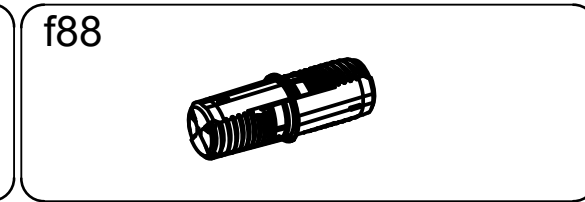
15x12mm



d1

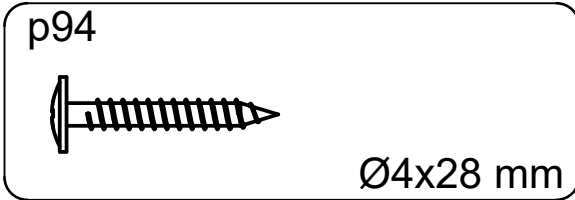
8x

fi5mm



f88

15x



p94

4x

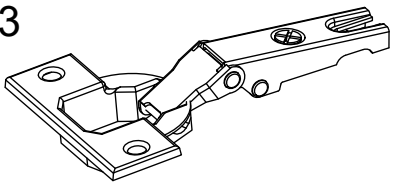
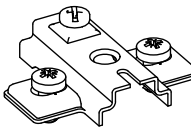
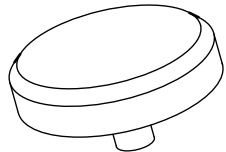
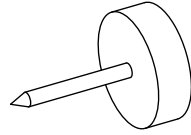
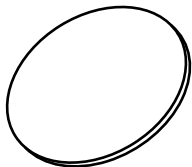
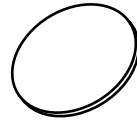
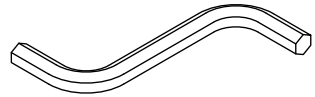
Ø4x28 mm




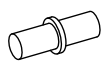
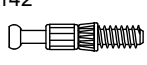
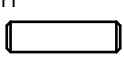
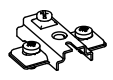
p51

4x

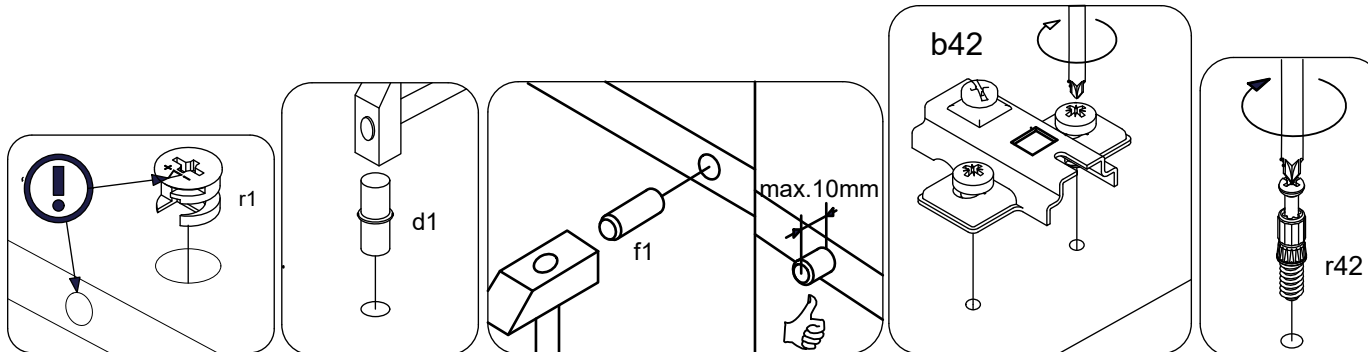
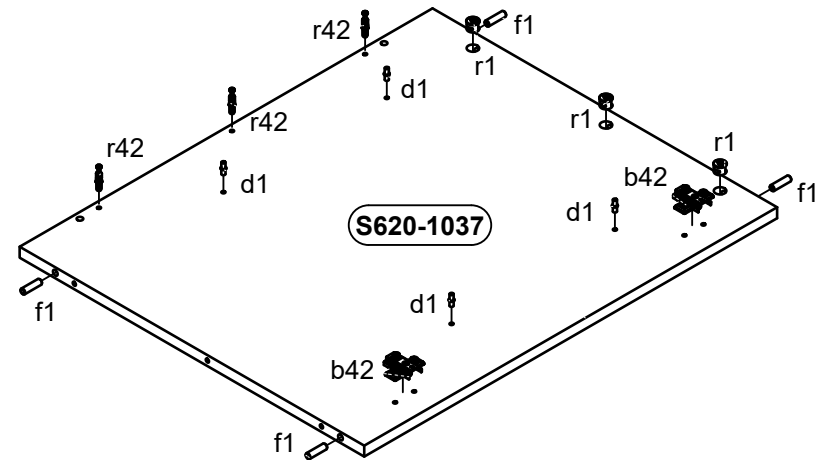
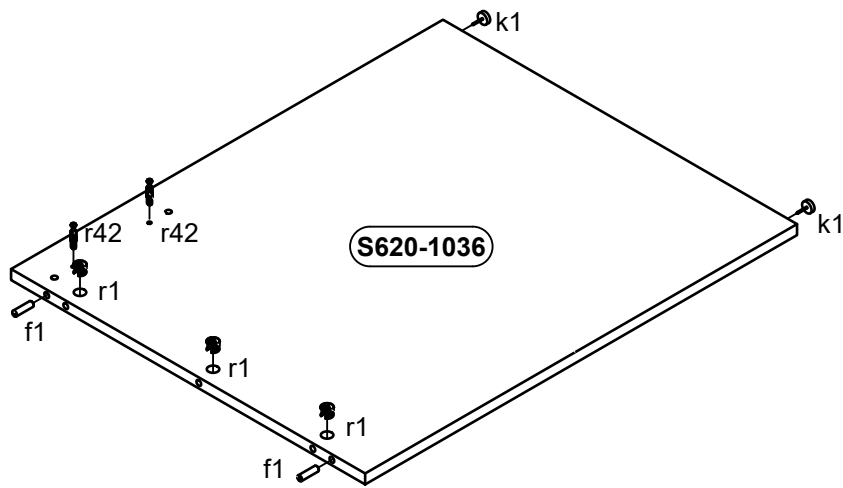
3.5x15mm

<p>a83</p> 	<p>2x</p>	<p>b42</p> 	<p>2x</p>	<p>k27</p>  <p>fi48x19mm</p>	<p>4x</p>
<p>k1</p> 	<p>2x</p>	<p>s68</p>  <p>Ø20mm</p>	<p>19x</p>	<p>o21</p>  <p>Ø8/1,8mm</p>	<p>2x</p>
<p>z1</p>  <p>3mm</p>	<p>1x</p>				



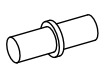

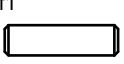
1

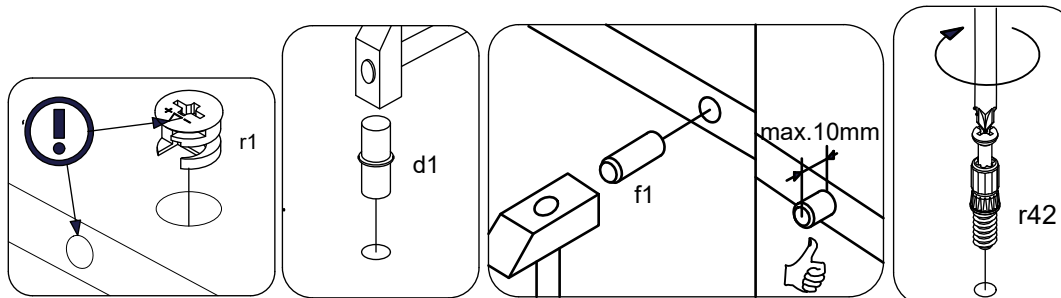
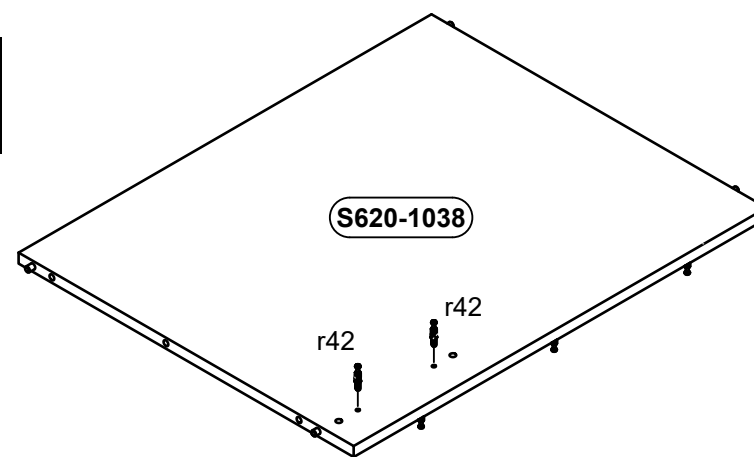
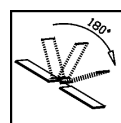
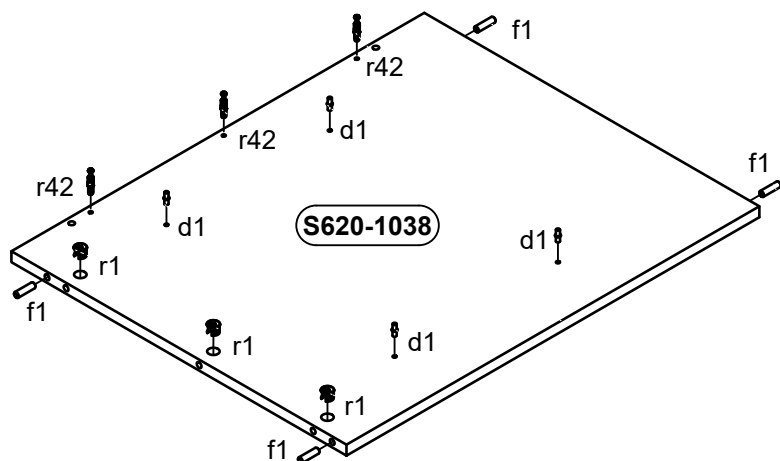
 r1 15x12mm 6x	 d1 fi5mm 4x	 r42 5x	 f1 30mm 6x	 b42 2x
--	--	--	---	--

2

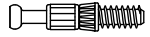



3

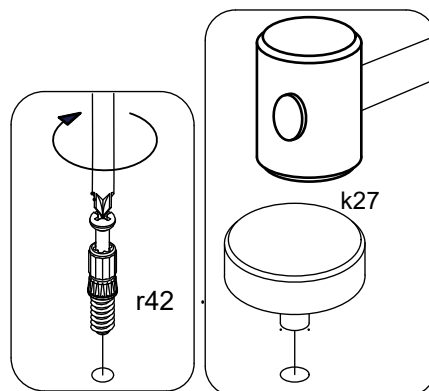
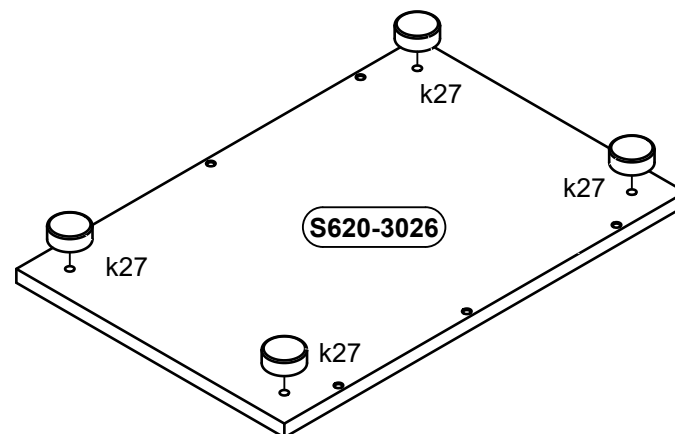
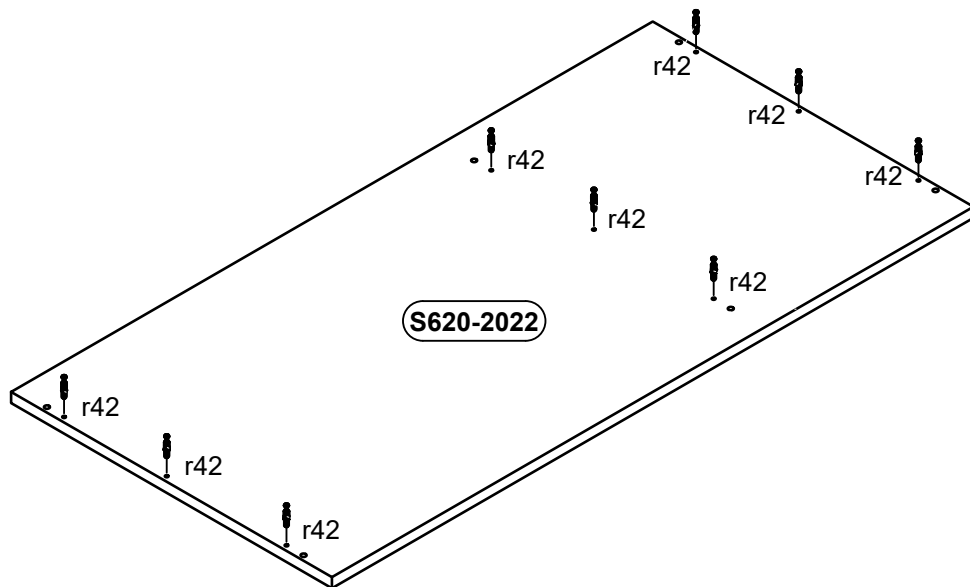
  <p>r1 15x12mm</p>	<p>3x</p>	 <p>d1 fi5mm</p>	<p>4x</p>	 <p>r42</p>	<p>5x</p>	 <p>f1 30mm</p>	<p>4x</p>
---	-----------	---	-----------	--	-----------	--	-----------





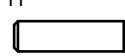
4

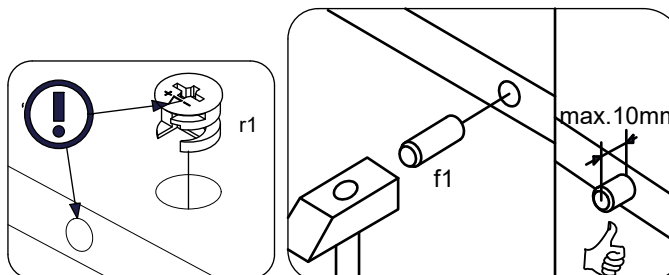
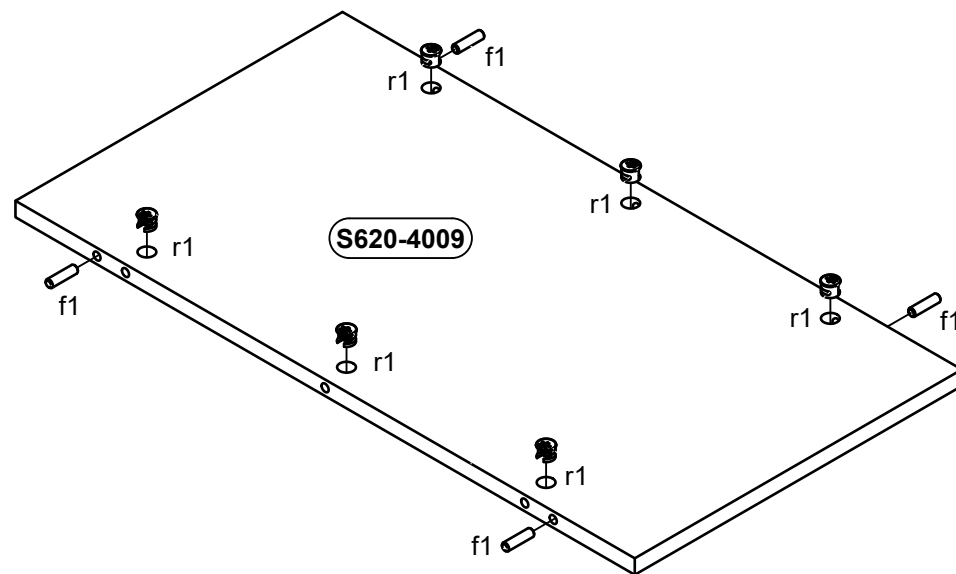
r42 	9x	k27  fi48x19mm	6x
---	----	---	----

5


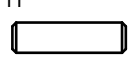


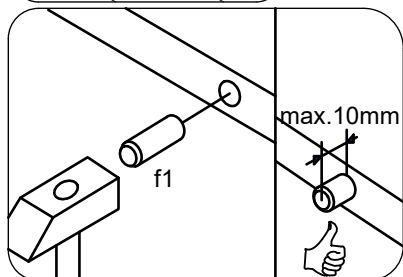
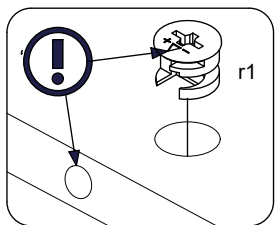
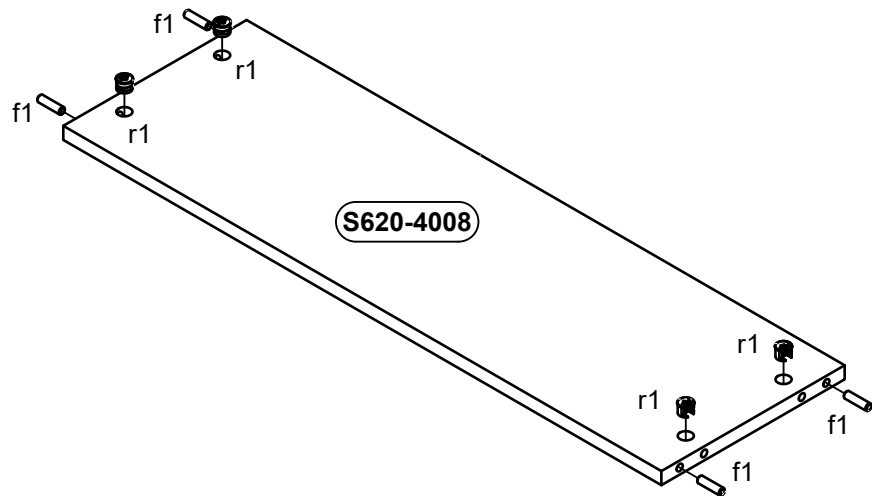
# 6

 r1	 15x12mm	6x	 f1	4x
--	---	----	--	----

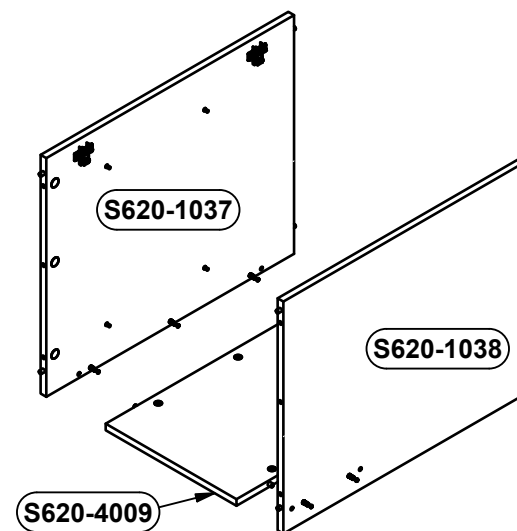
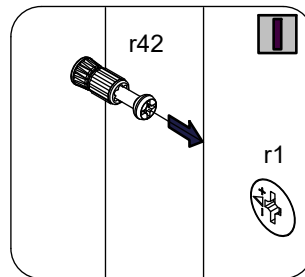
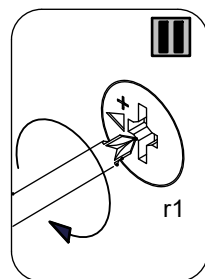
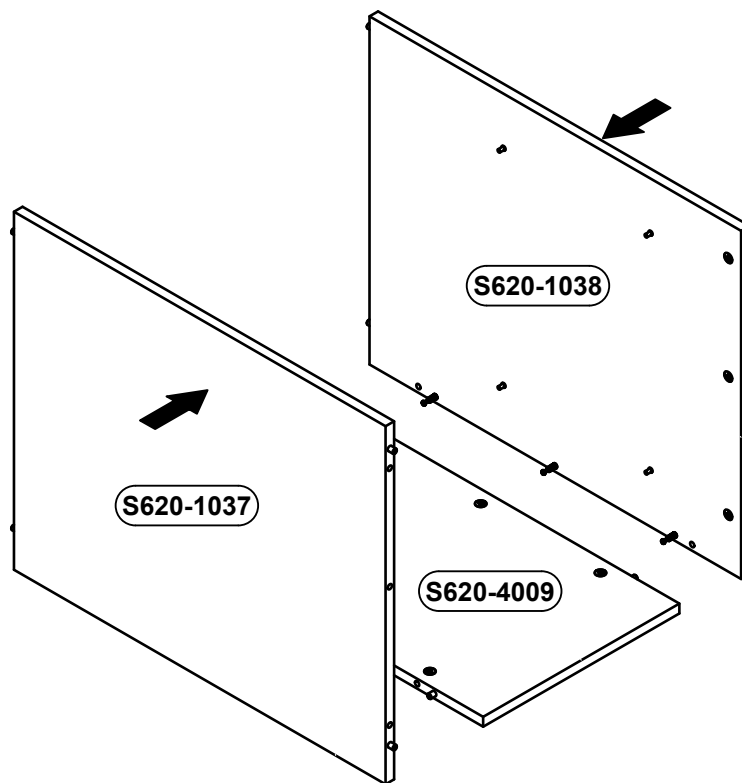


7

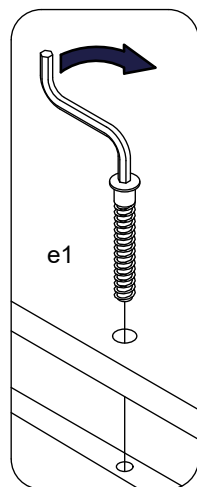
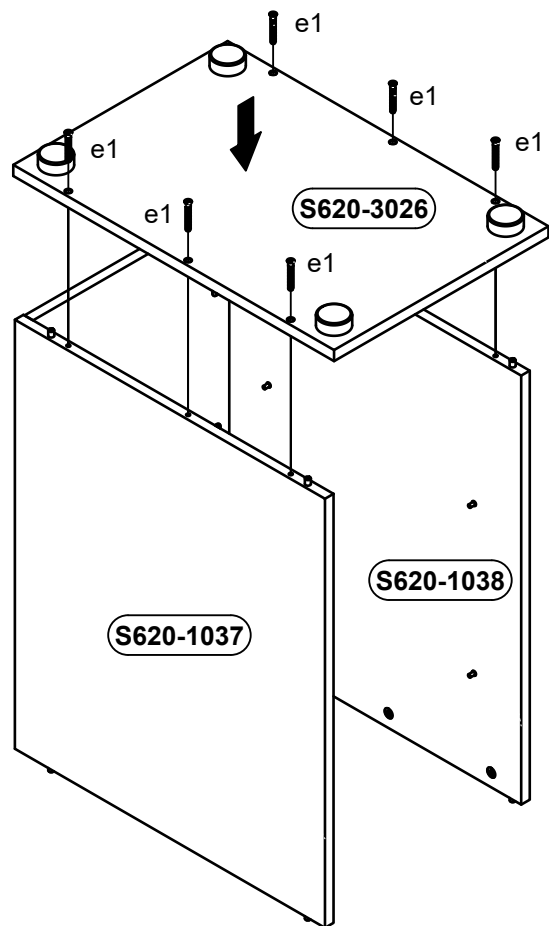
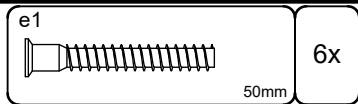
r1		15x12mm	3x	f1		30mm	4x
----	---	---------	----	----	---	------	----



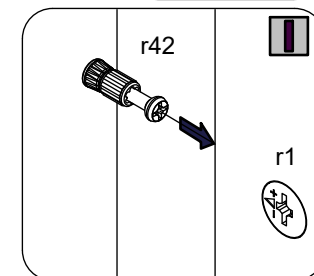
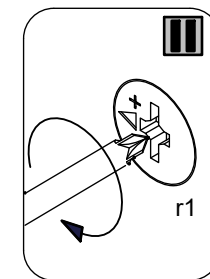
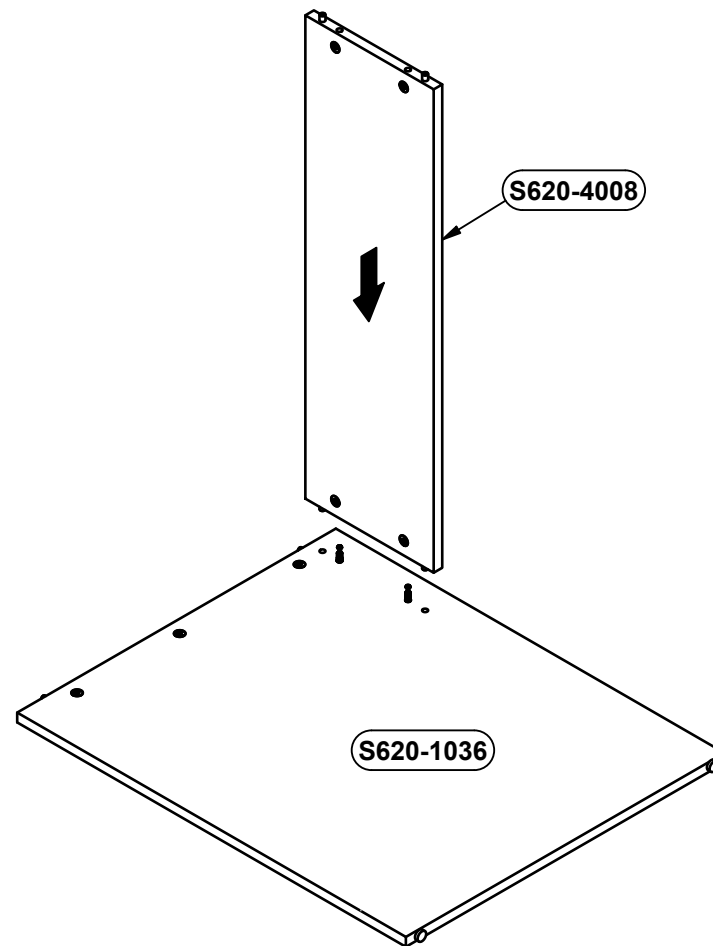
8



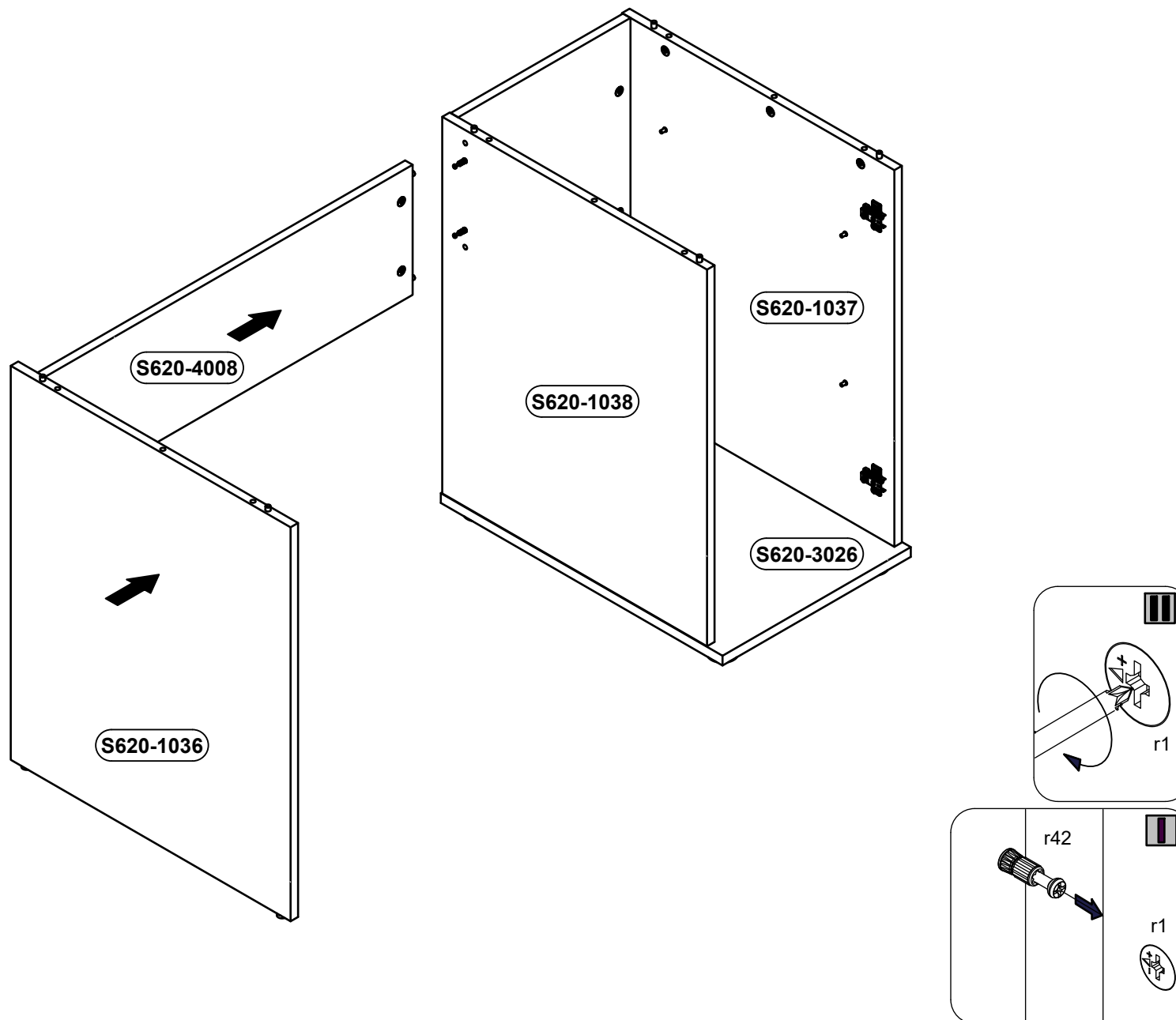
9



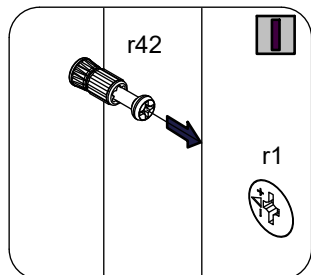
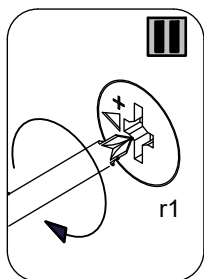
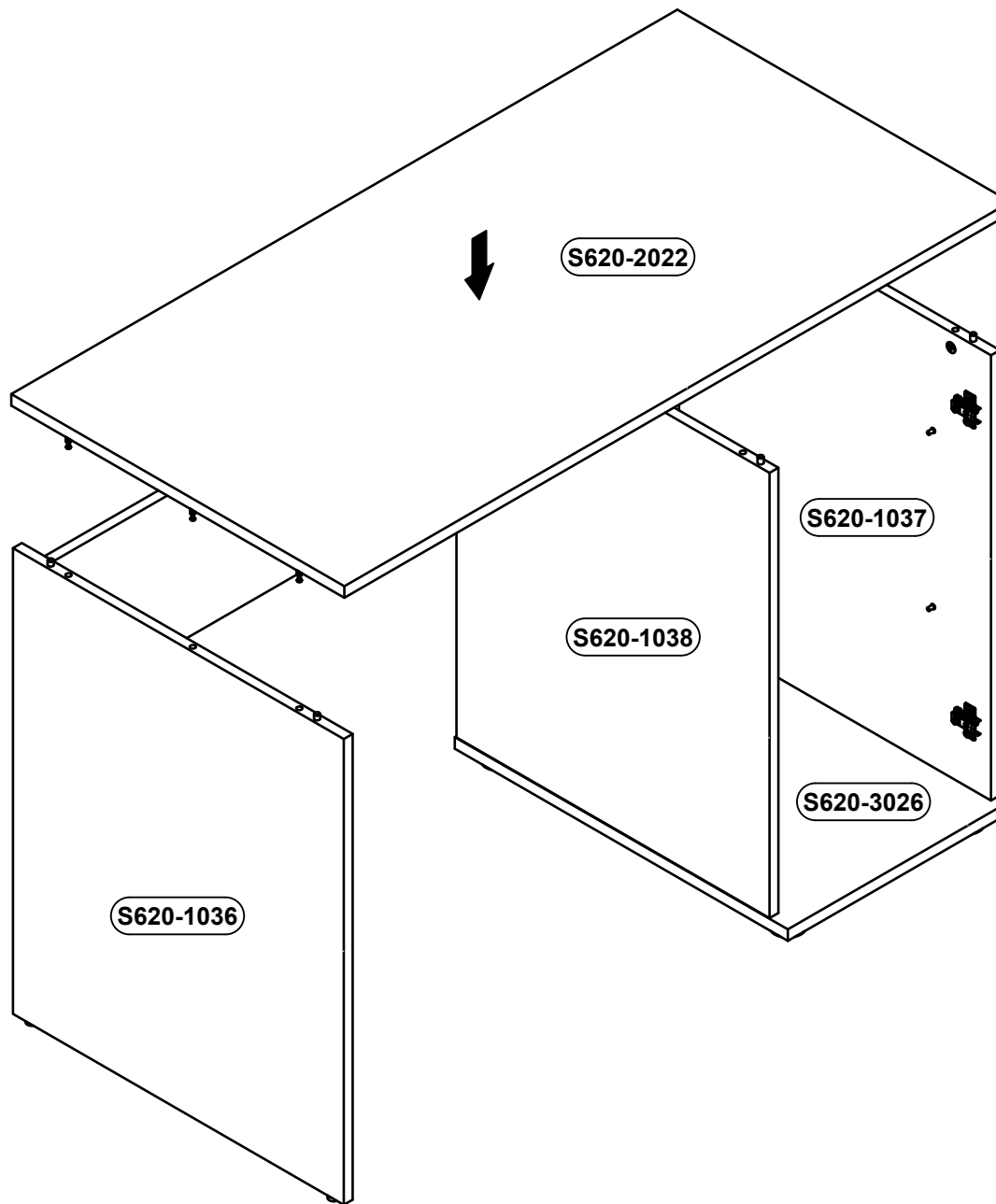
10



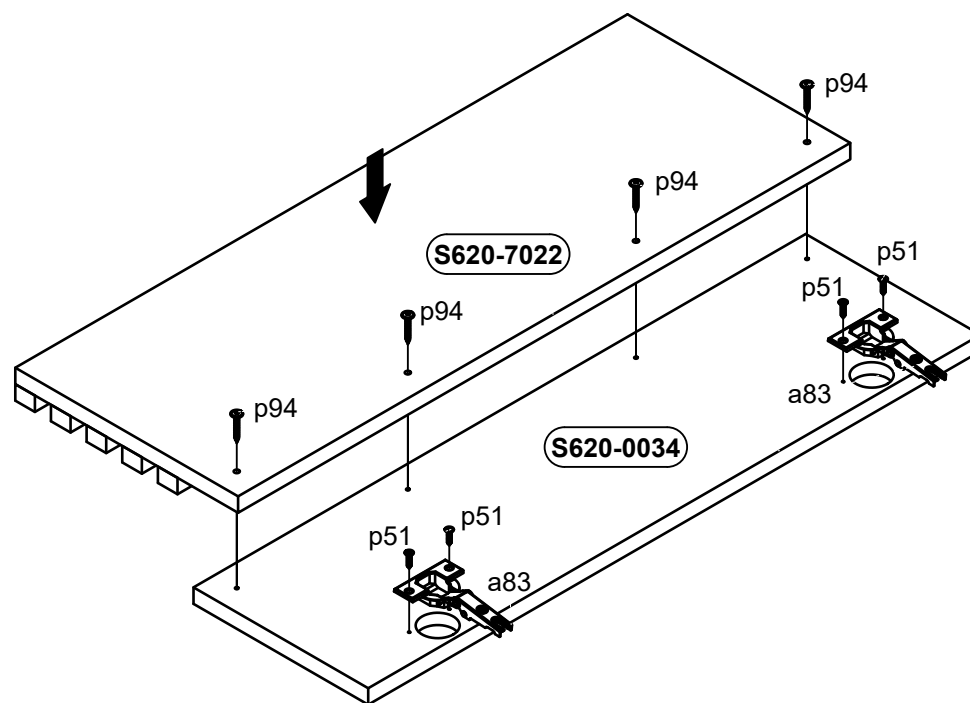
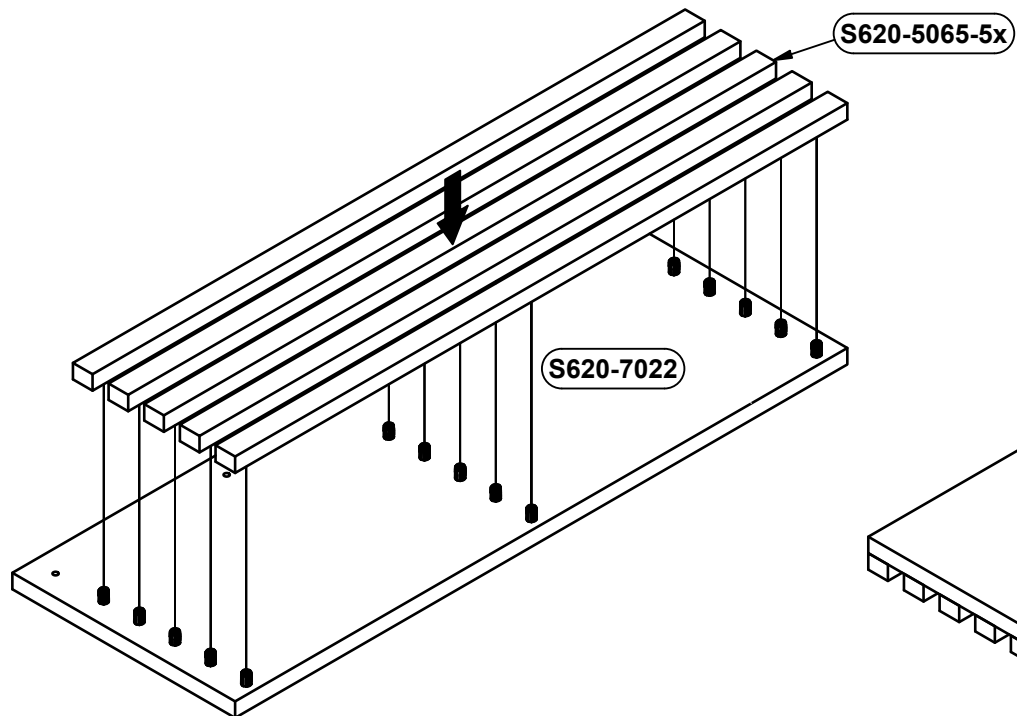
# 11



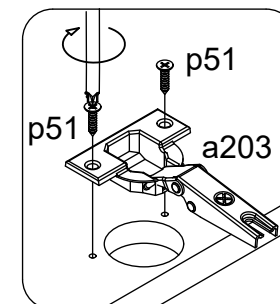
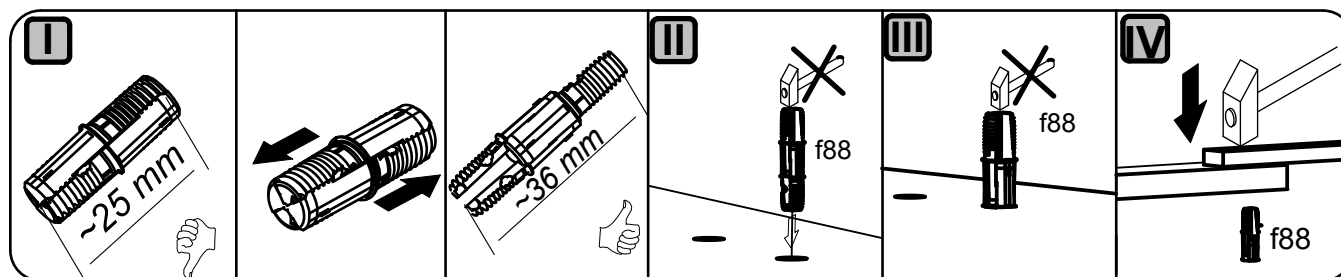
# 12



# 13



p51  3.5x15mm	4x	p94  Ø4x28 mm	4x
f88 	15x	a83 	2x



# 14

