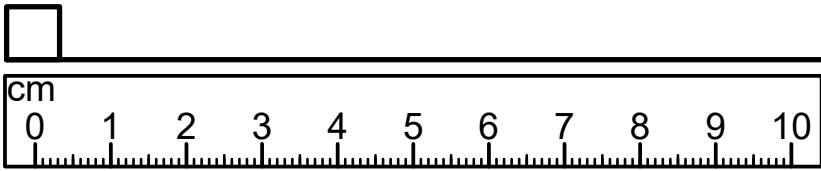
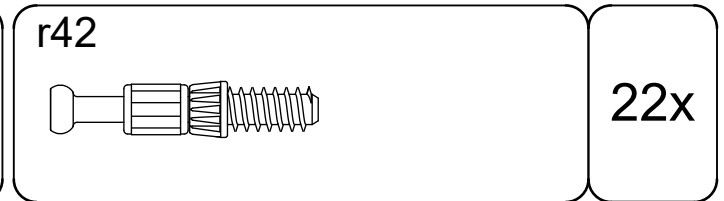
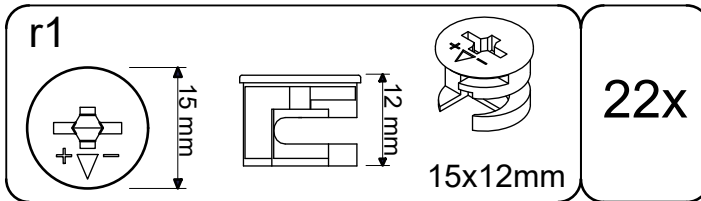
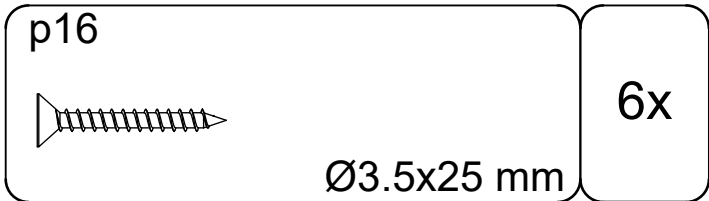
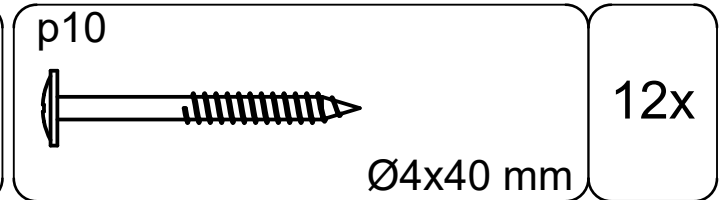
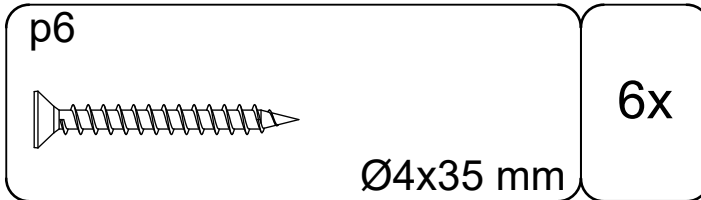
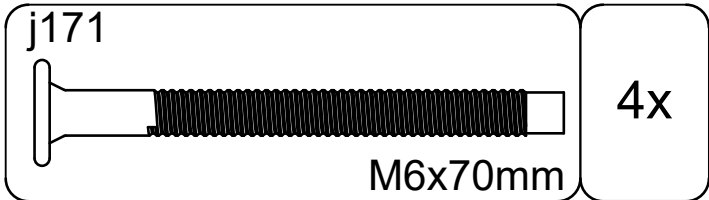
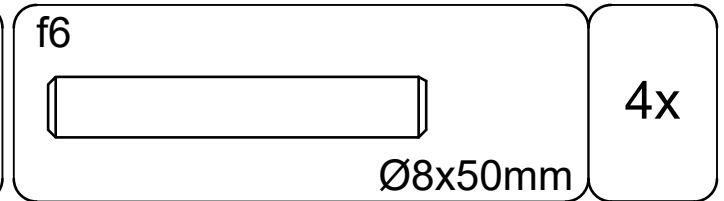
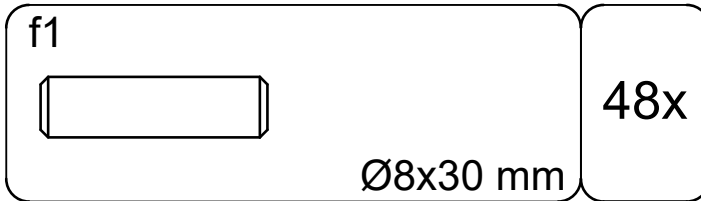
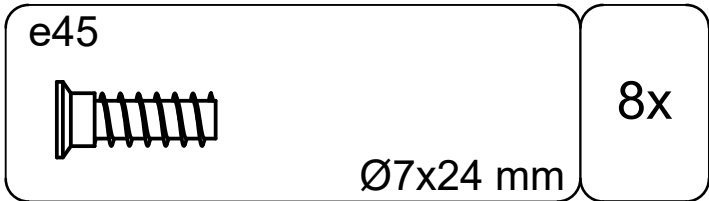
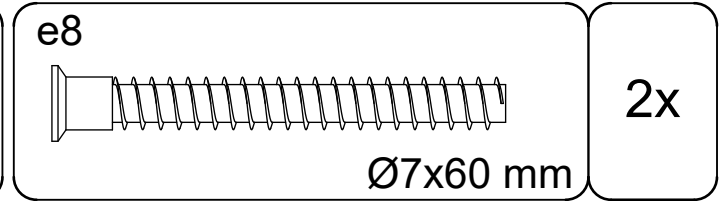
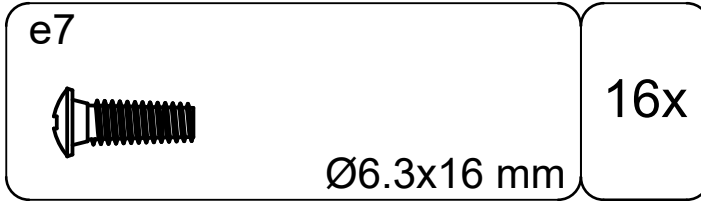
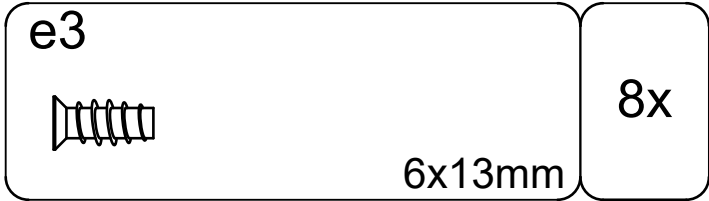
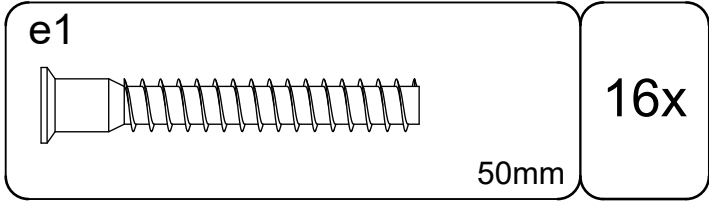
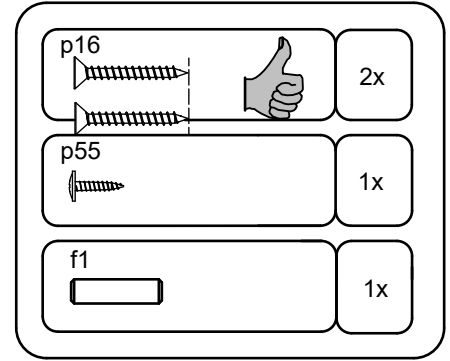
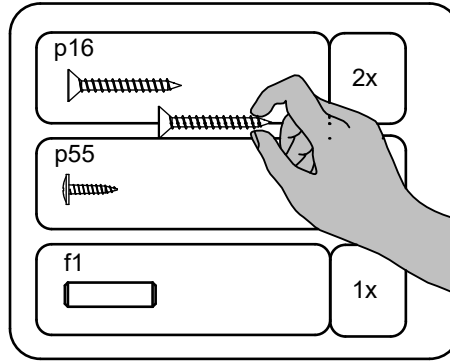


B1	B2	C1	C2	C3	C4	D
S620-1039	-2	2000	180	22	1	1/2
S620-1040	-3	2000	180	22	1	1/2
S620-4010	-2	2000	199	16	1	1/2
S620-4011	-3	2000	175	16	1	1/2
S620-4012	-2	2000	185	16	1	1/2
S620-4013	-2	185	159	16	2	2/2
S620-4015	-3	638	831	28	1	2/2
S620-4017	-3	831	831	28	1	2/2
S620-4018	-3	1250	420	28	1	2/2
S620-5057	-12	420	22	16	10	2/2
S620-5067	-1	1260	36	19	2	2/2
ZZ1-431	-3	64	70	27	2	1/2
ZZ1-460		221	70	27	2	1/2
ZZ1-719	-3	1983	70	27	1	1/2
ZZ1-747	-2	1880	25	25	2	1/2

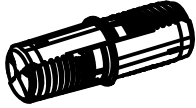


1:1



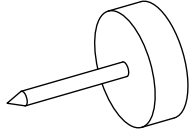
~~1:1~~

f88



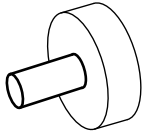
20x

k1



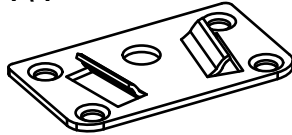
6x

k22



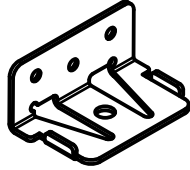
3x

n34\1



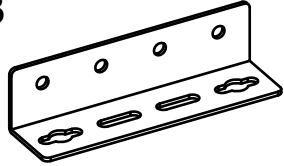
2x

n34\2



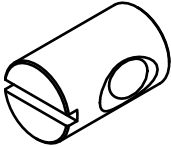
2x

n63



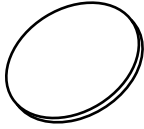
2x

r43



4x

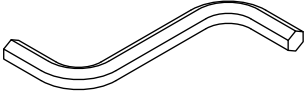
s59



Ø14mm

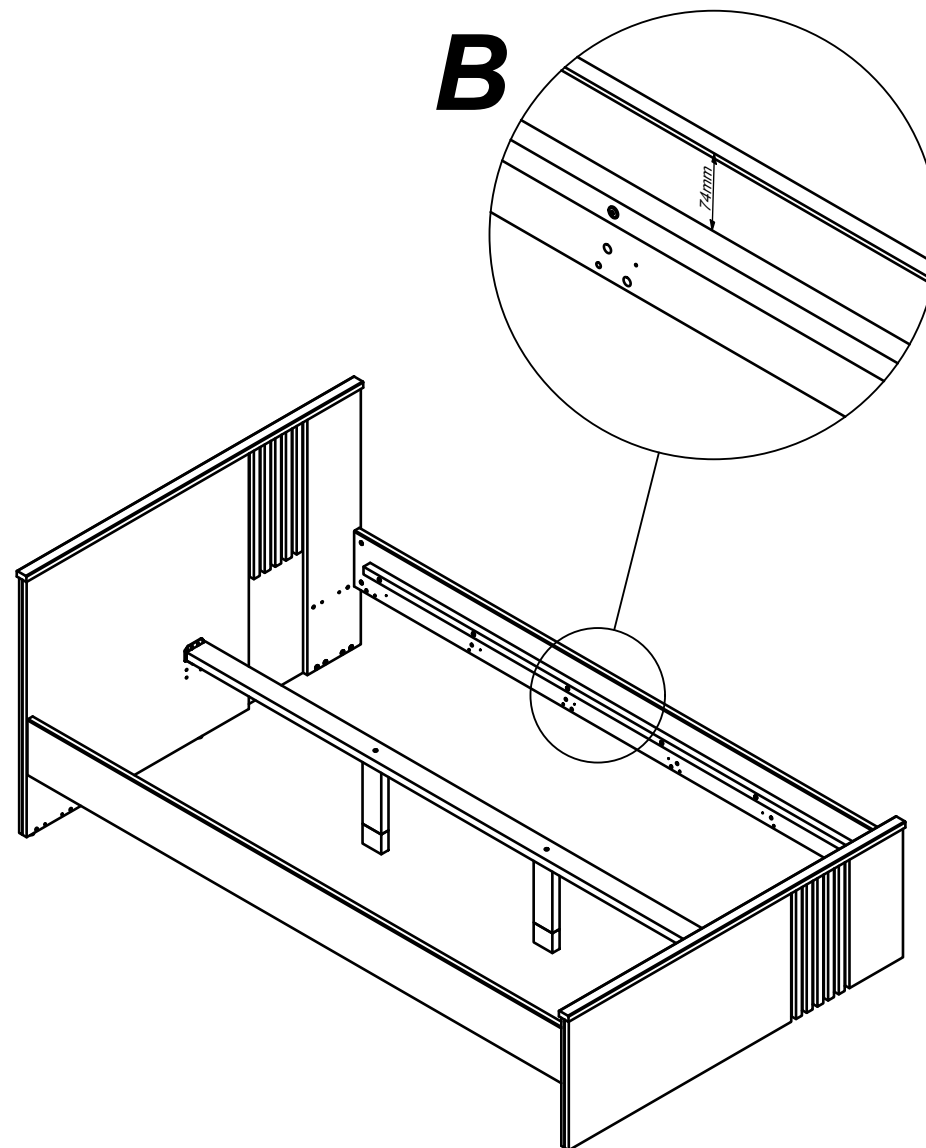
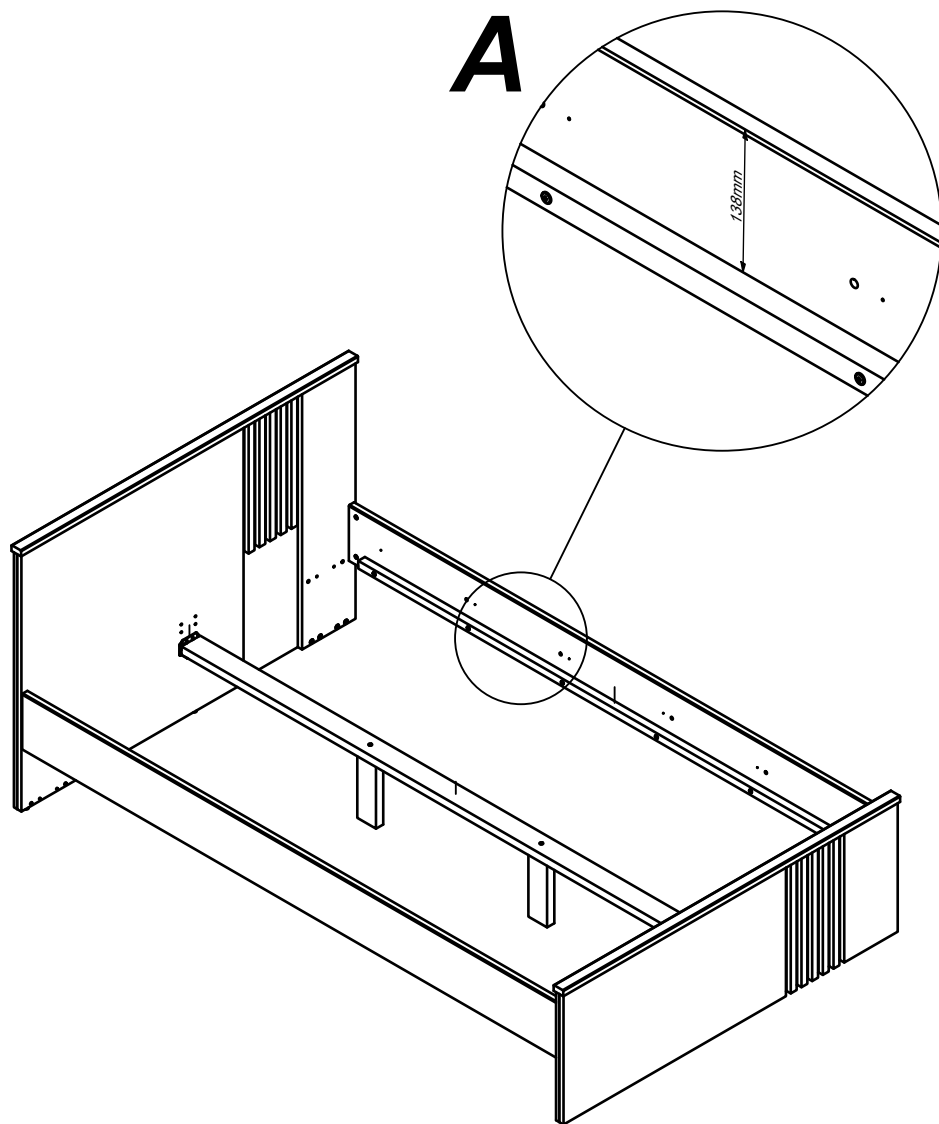
18x

z1



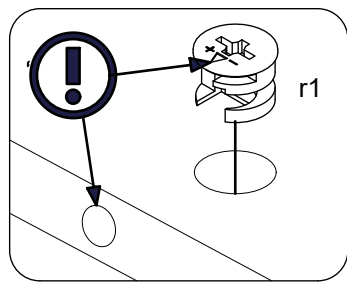
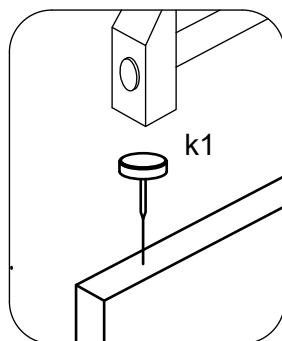
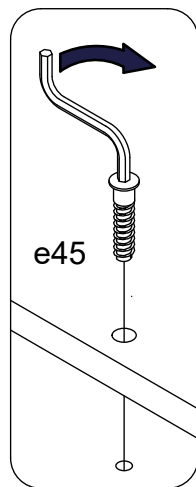
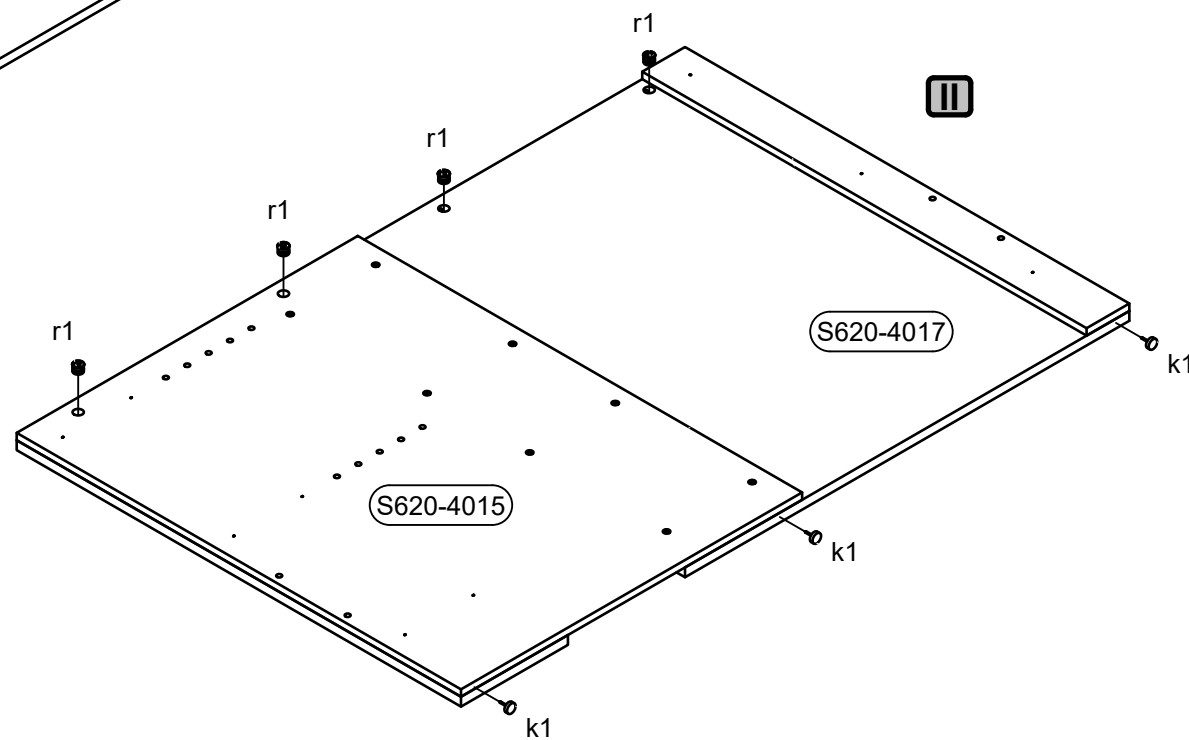
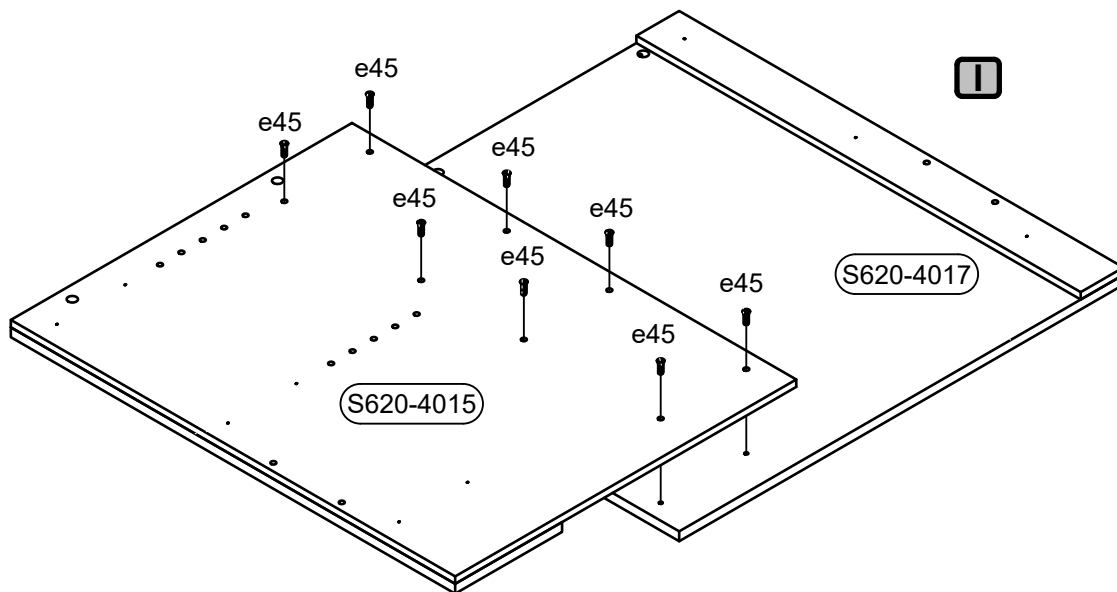
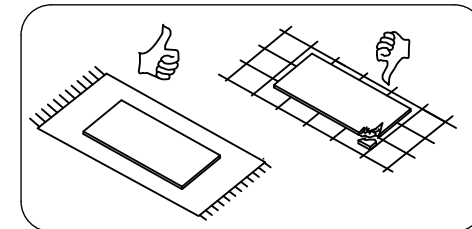
4 mm

1x

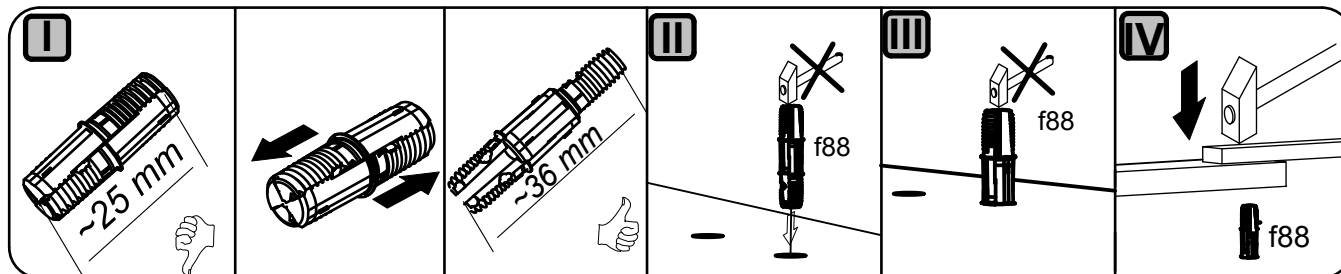
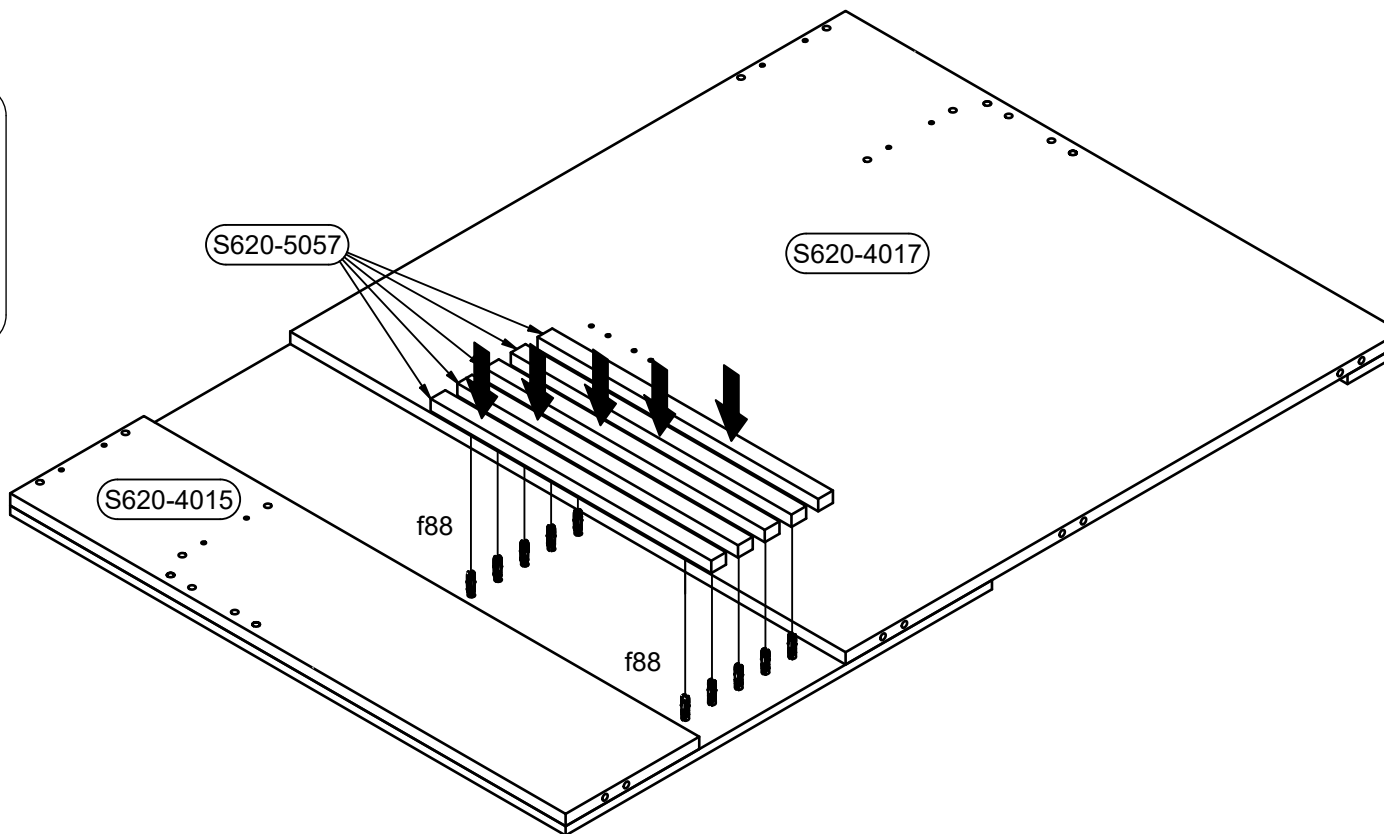
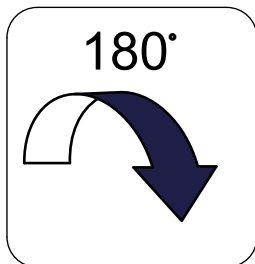




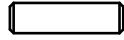
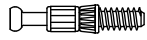
e45  Ø7x24 mm	8x	r1  15 mm 12 mm 15x12mm	4x	k1 	3x
---------------------	----	-------------------------------------	----	--------	----

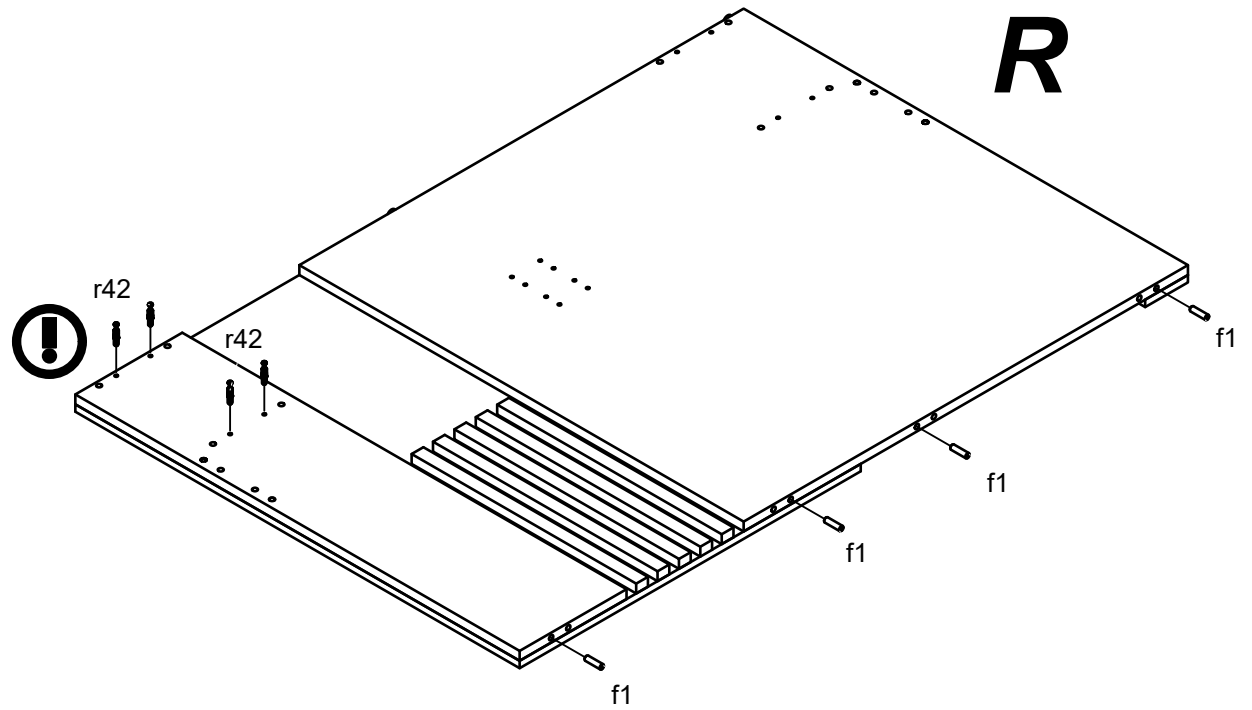
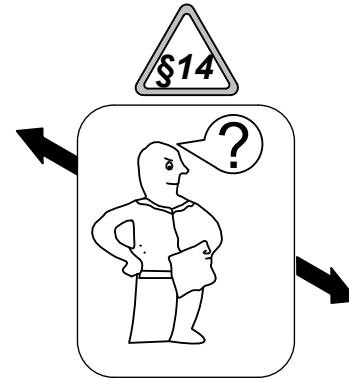
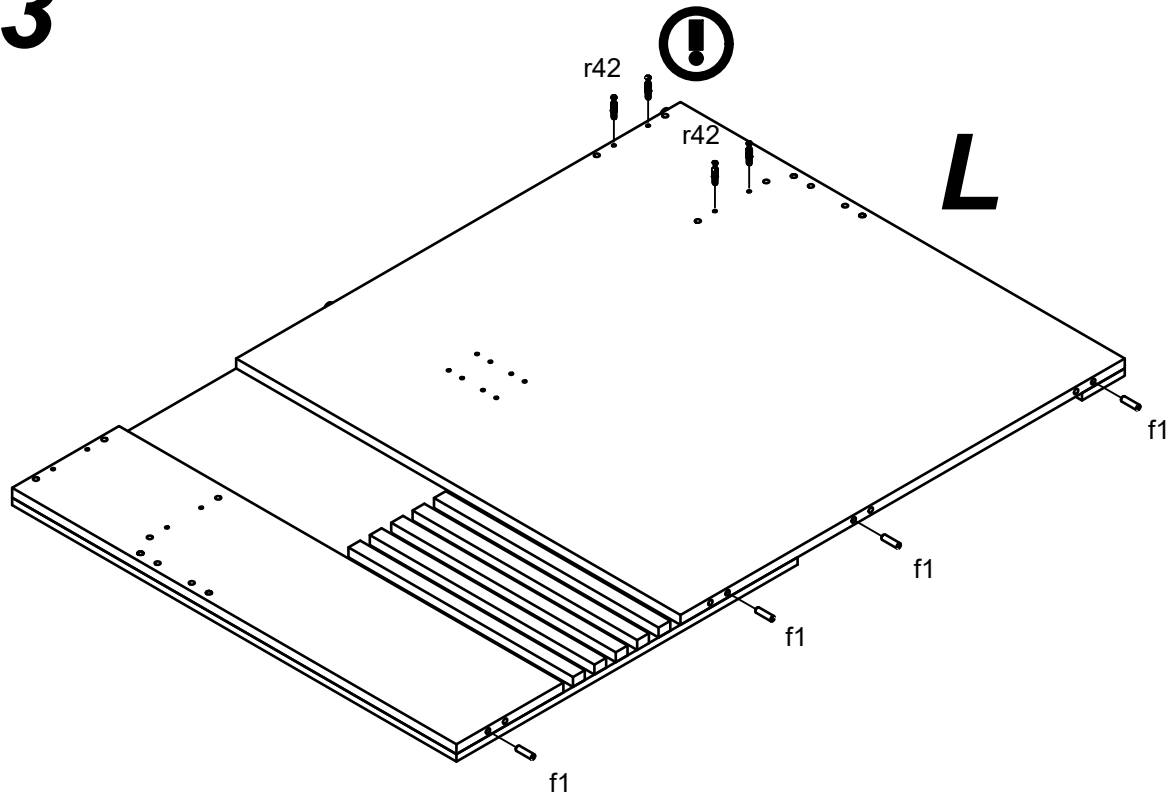


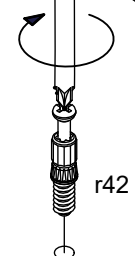
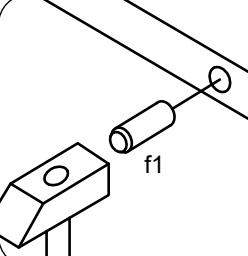
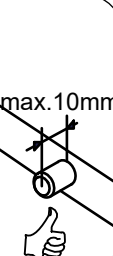
2



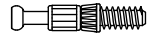
3

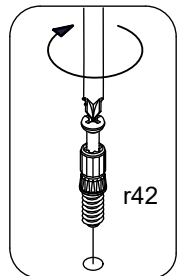
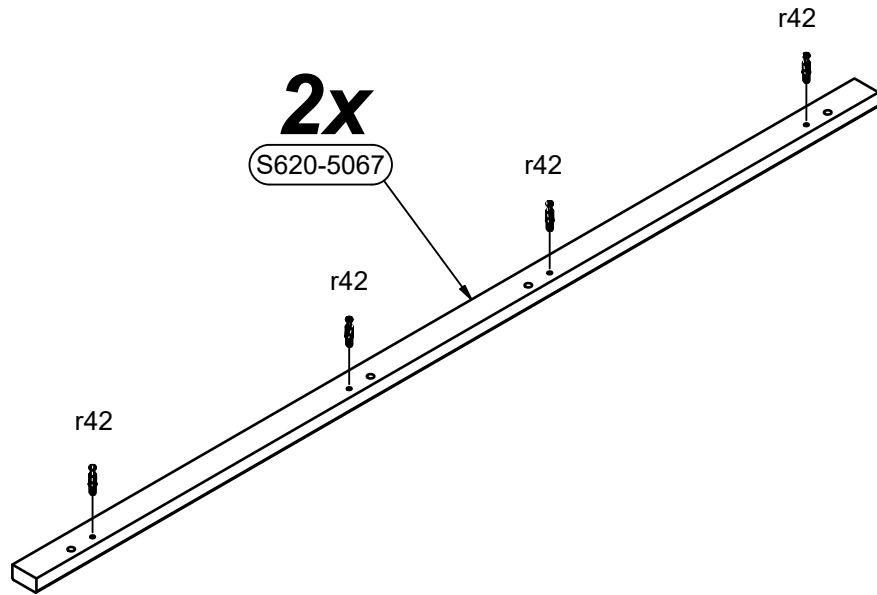
 <p>f1 30mm</p>	<p>4x</p>	 <p>r42</p>	<p>4x</p>
--	-----------	--	-----------



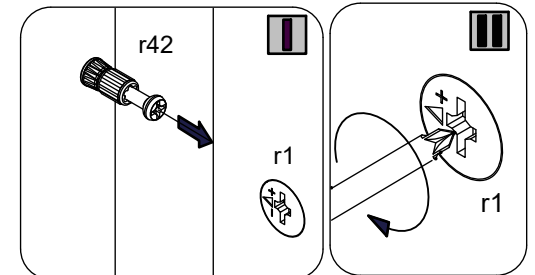
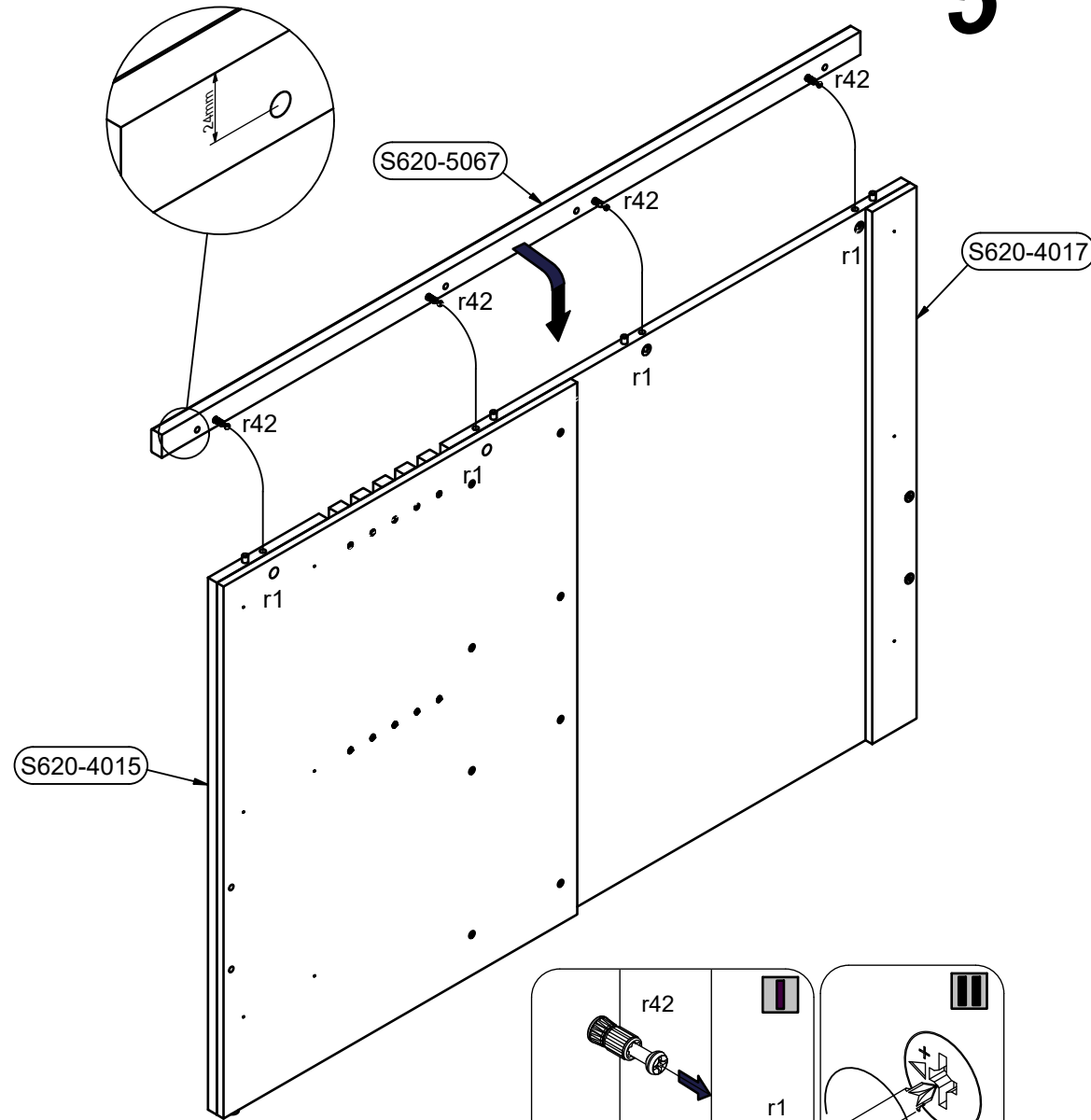
 <p>r42</p>	 <p>f1</p>	 <p>max. 10mm</p>
--	---	--

4

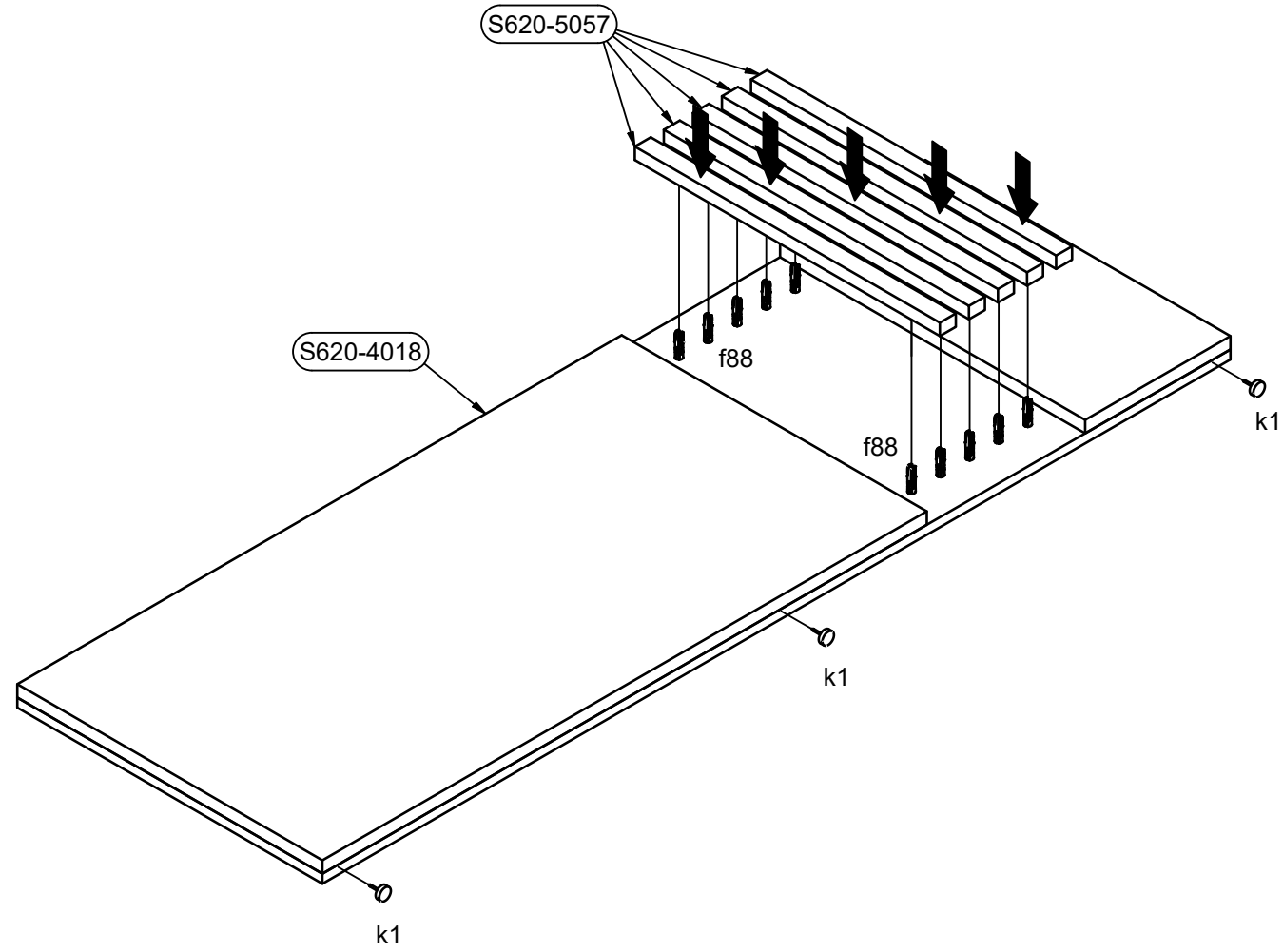
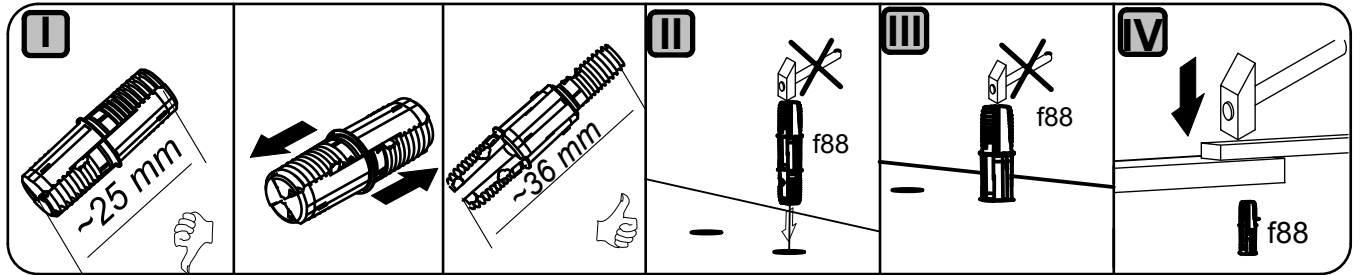
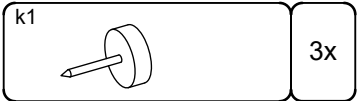
r42		8x
-----	---	----



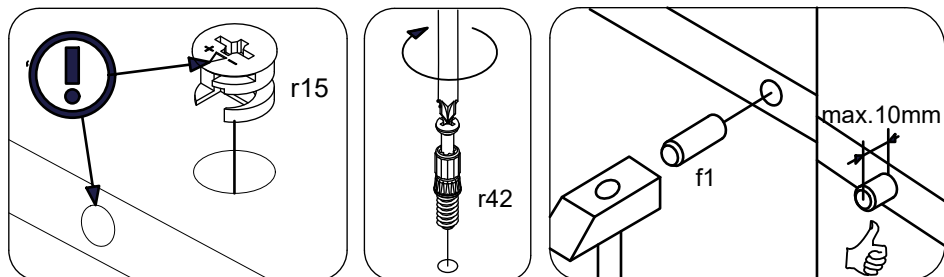
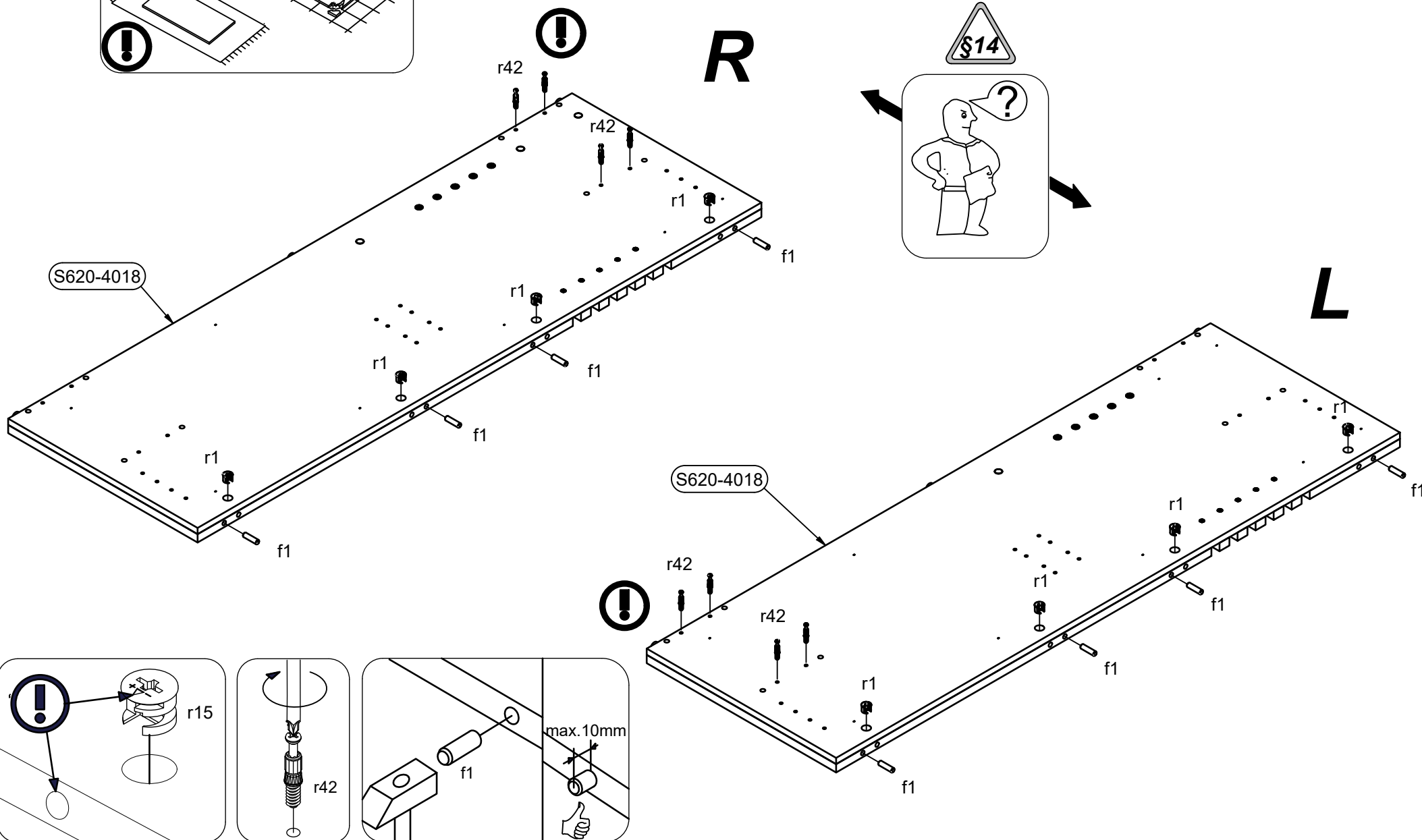
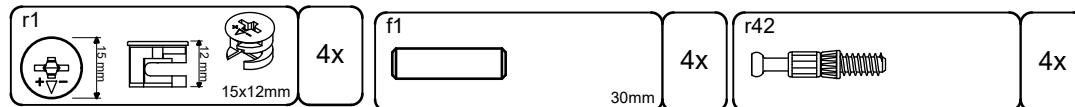
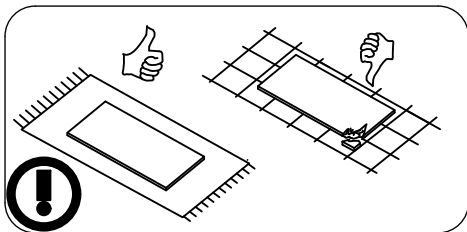
5



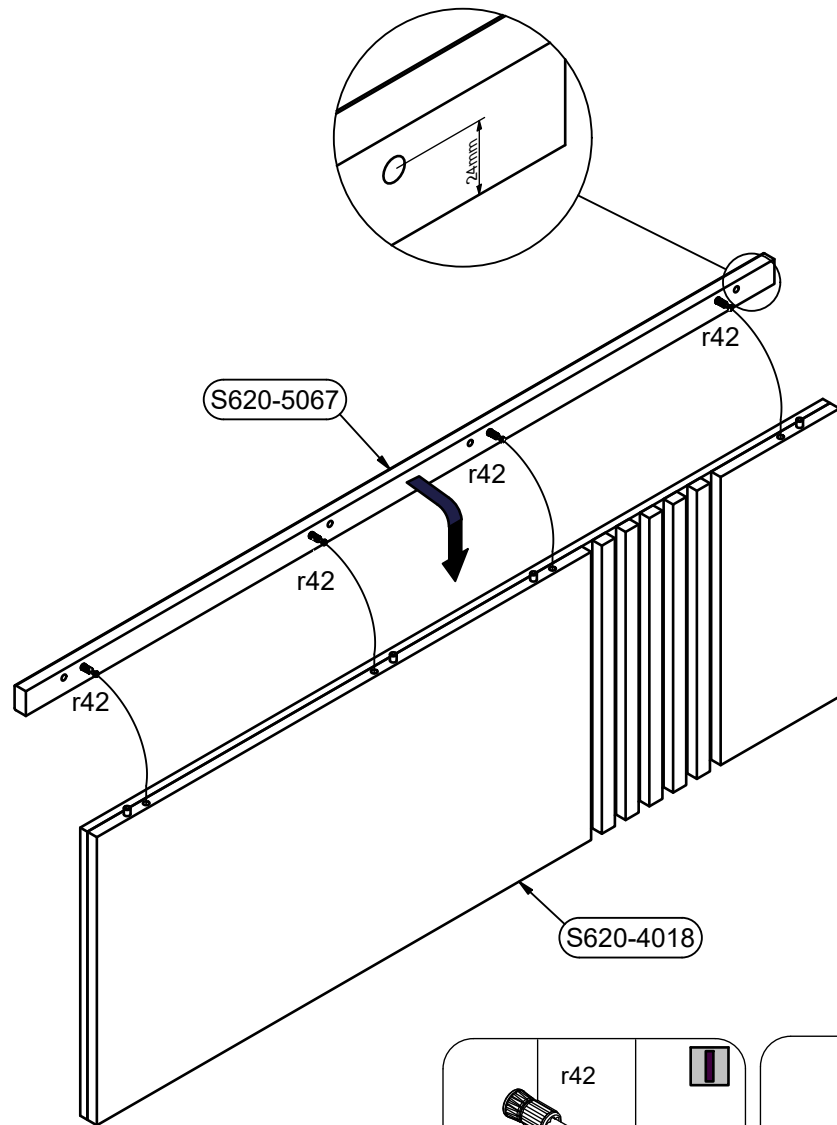
6



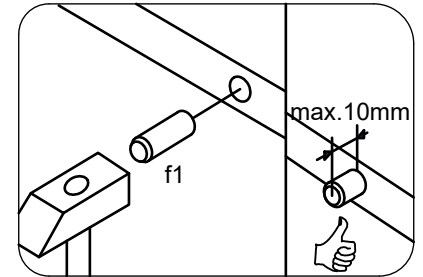
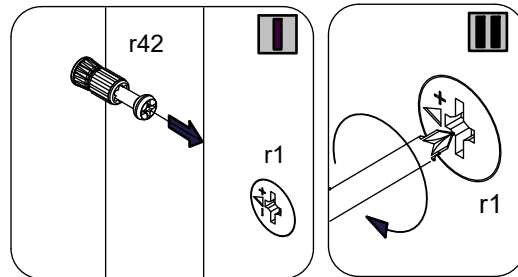
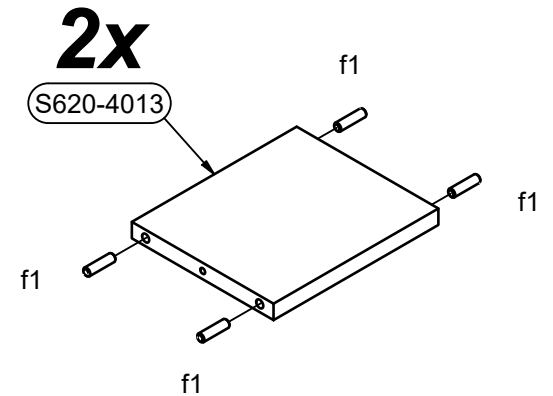
7


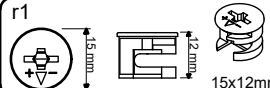
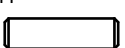


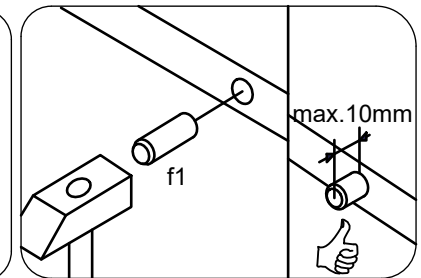
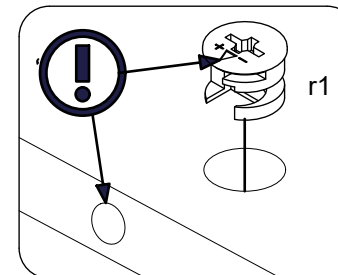
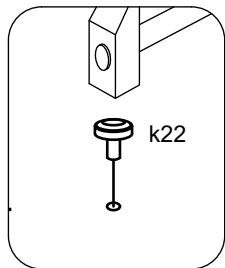
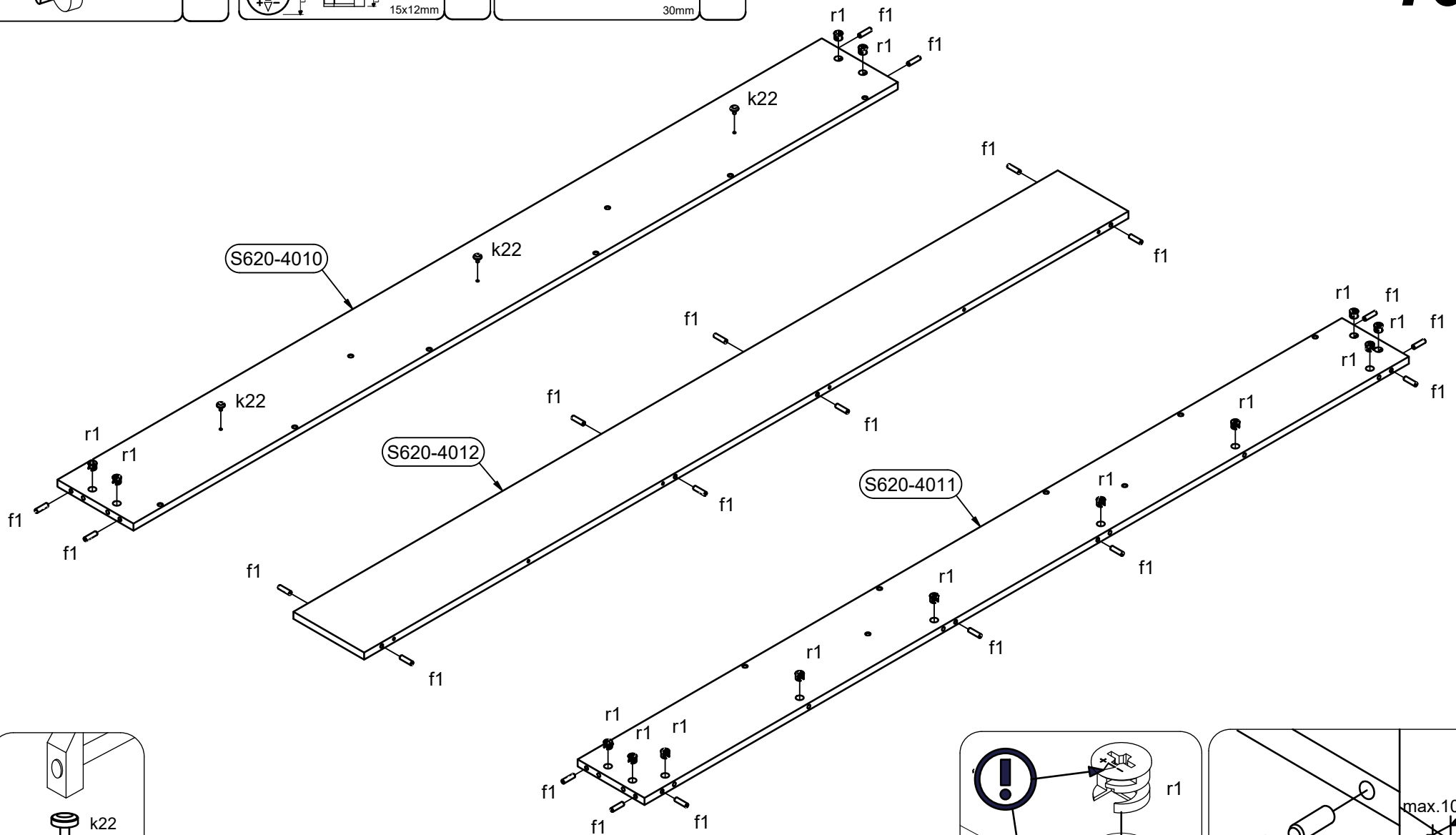
8



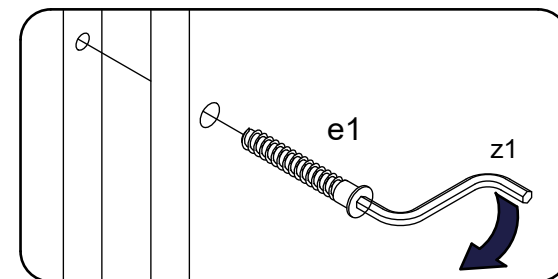
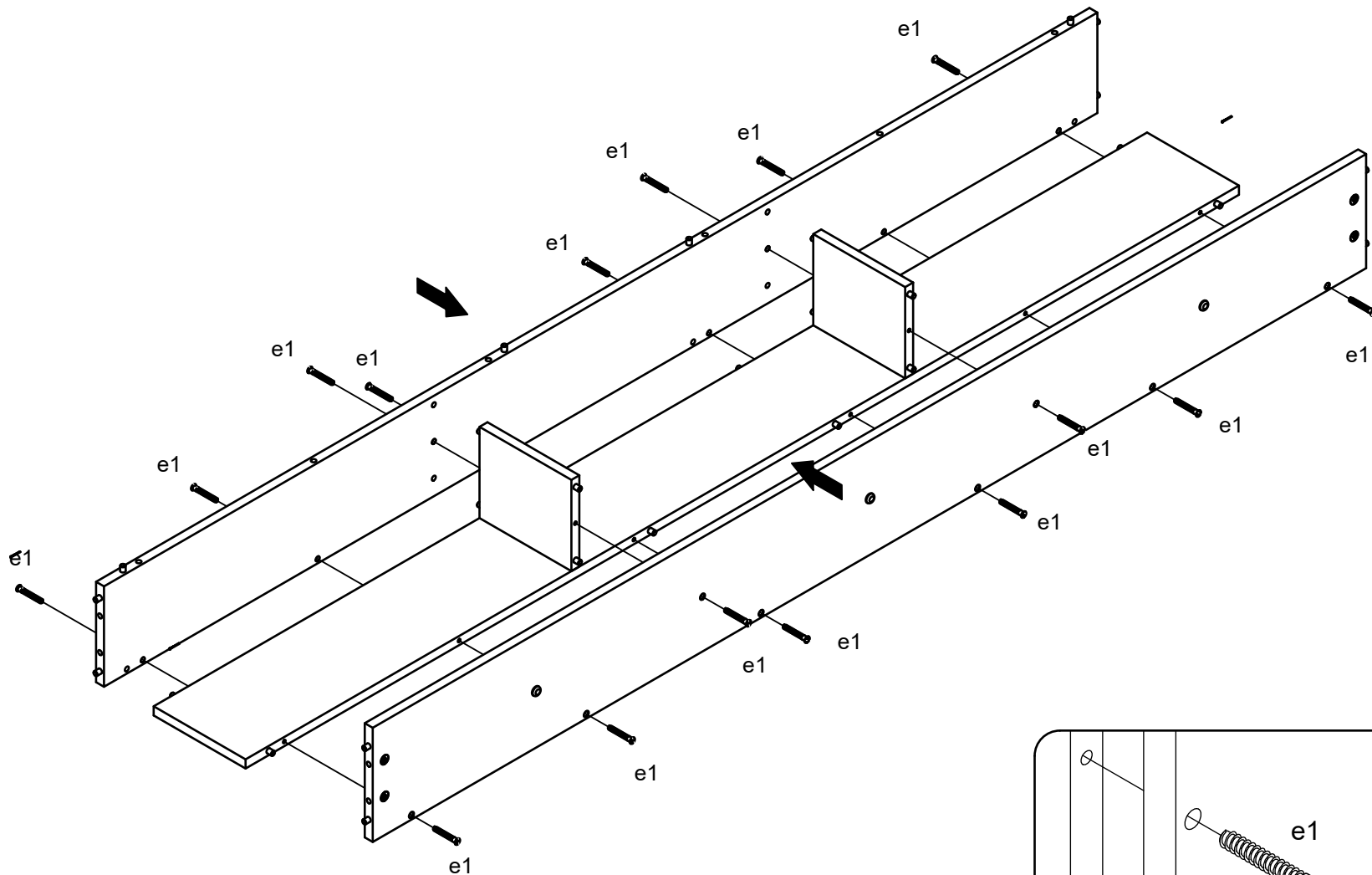
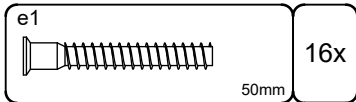
9



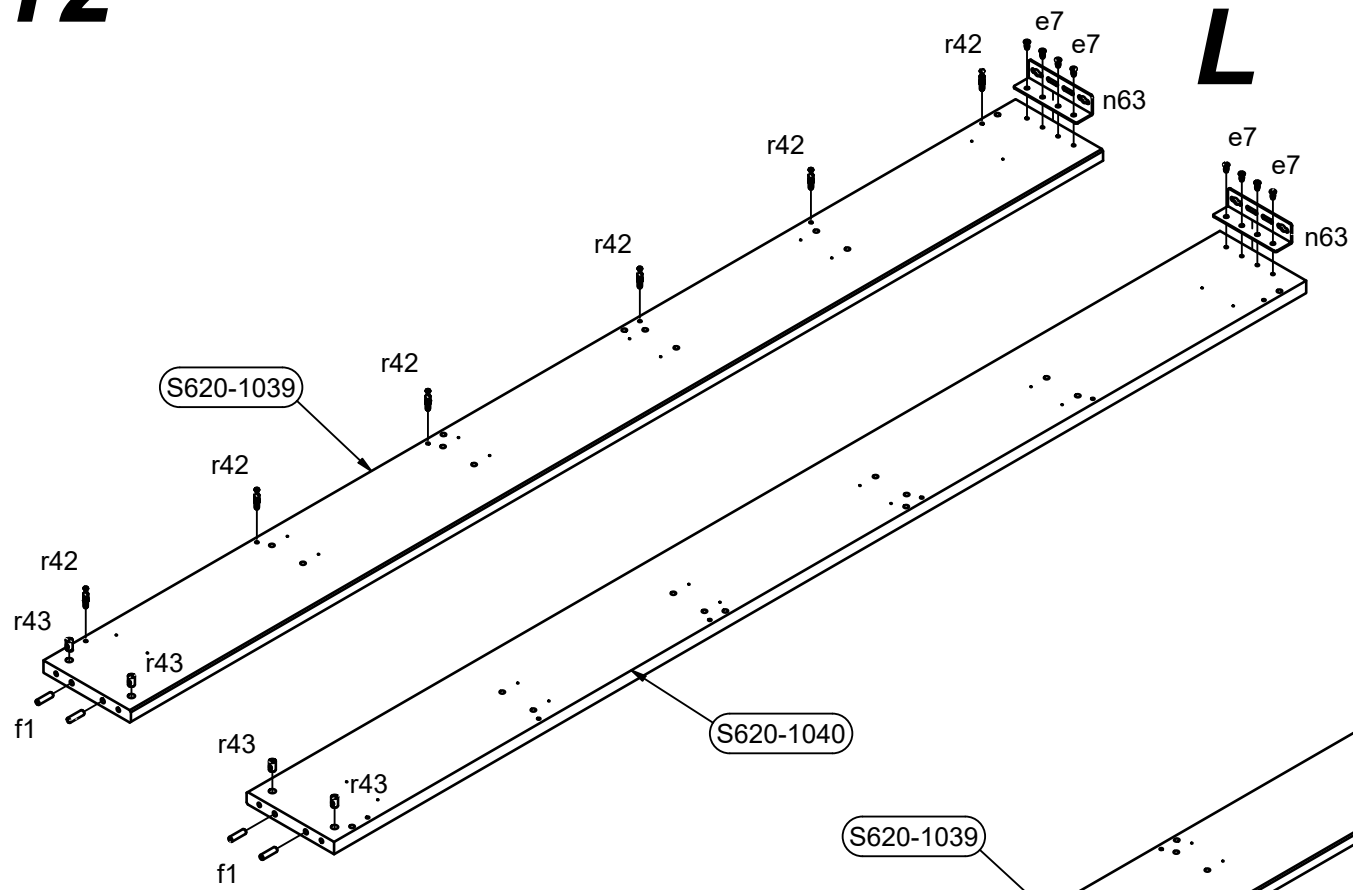
 <p>k22</p>	<p>3x</p>	 <p>r1 15mm 12mm 15x12mm</p>	<p>14x</p>	 <p>f1</p>	<p>20x</p>	<p>30mm</p>
--	-----------	---	------------	---	------------	-------------



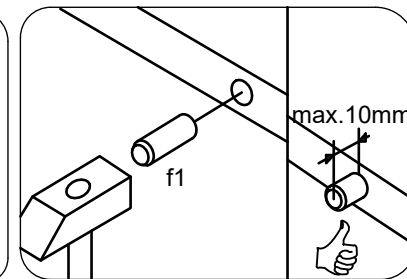
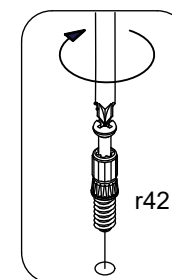
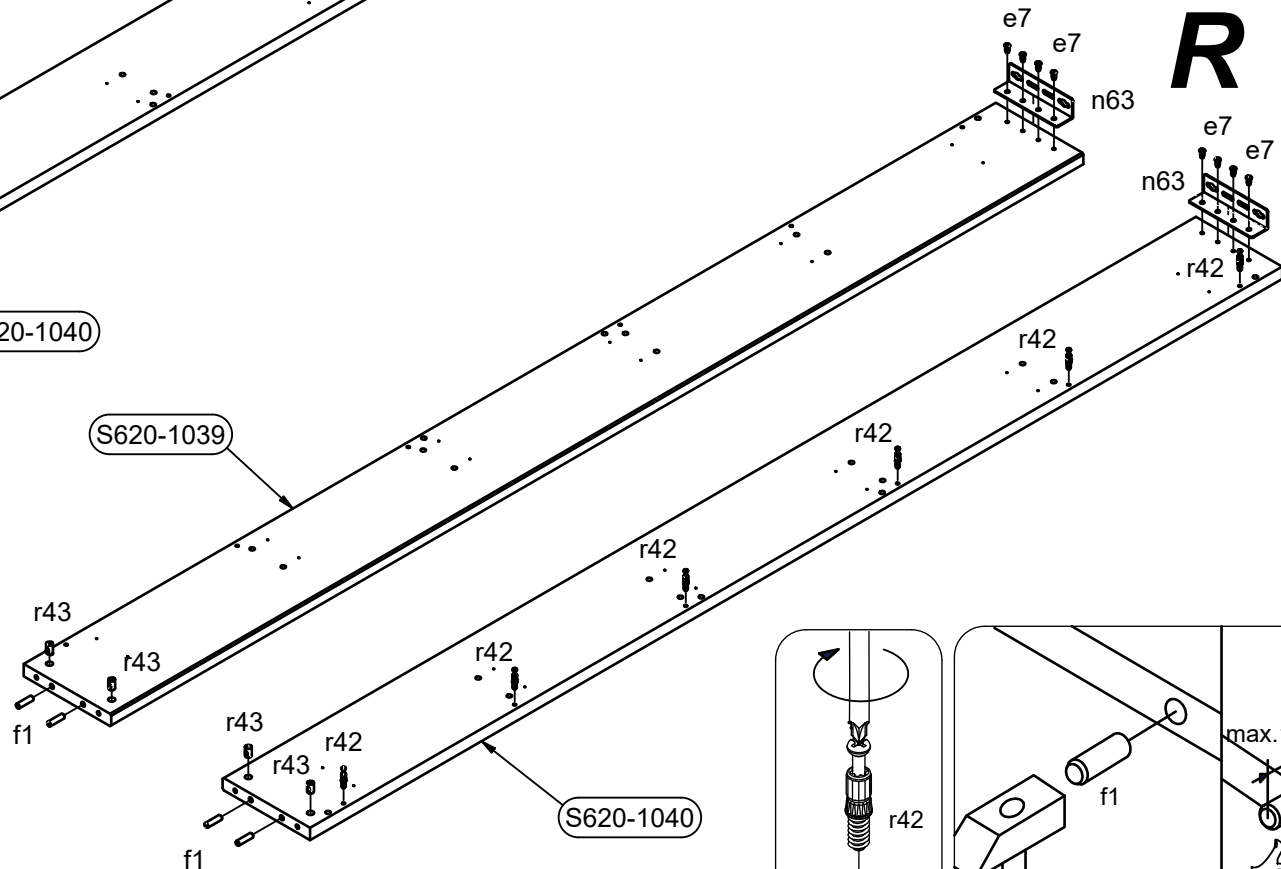
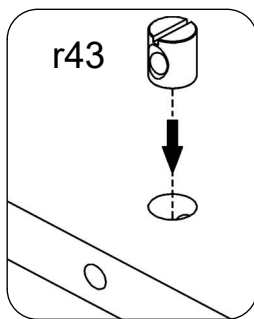
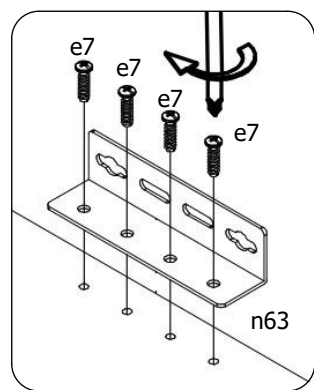
11



# 12



f1 	30mm 4x	r42 	6x
n63 	2x	e7 	8x Ø6.3x16 mm
r43 	4x		

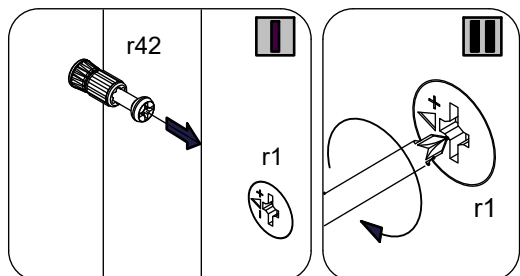
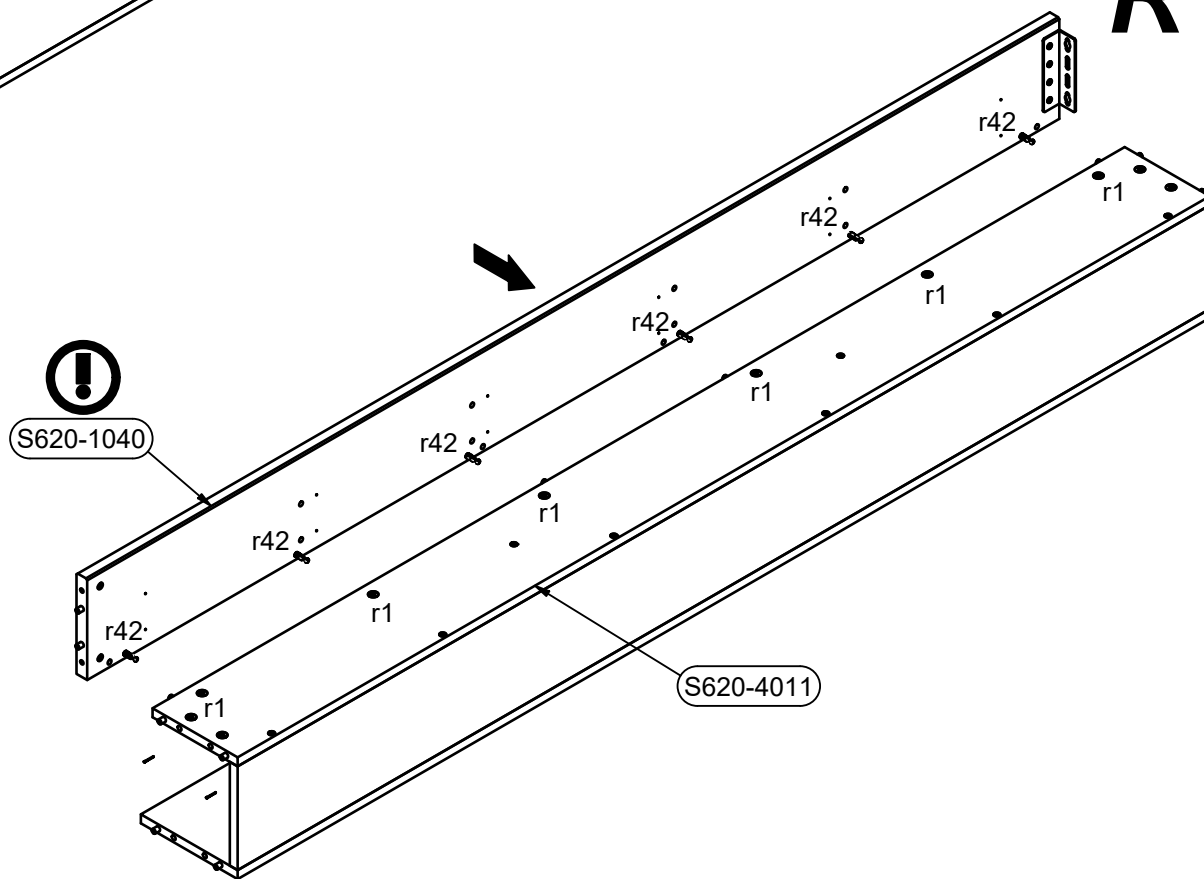
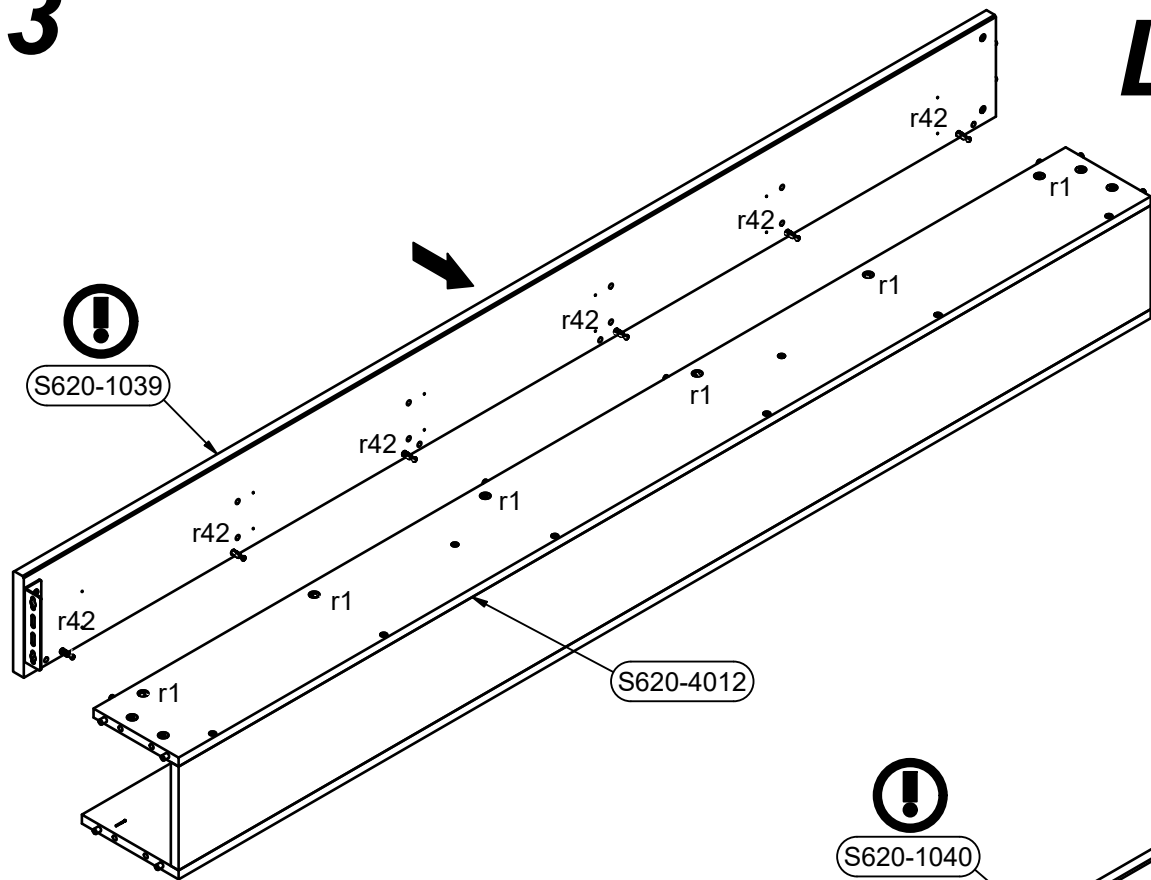


# 13



## L

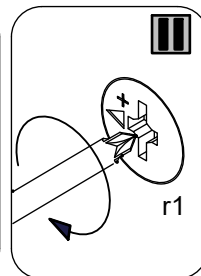
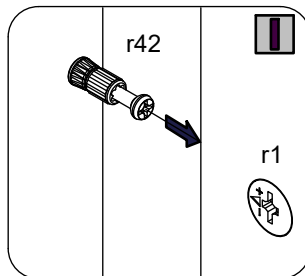
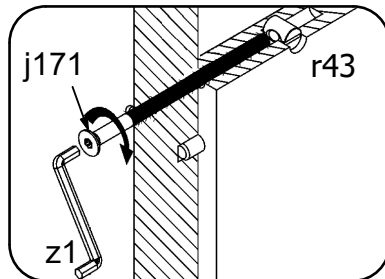
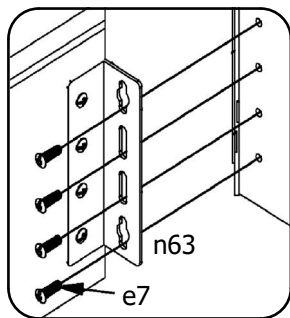
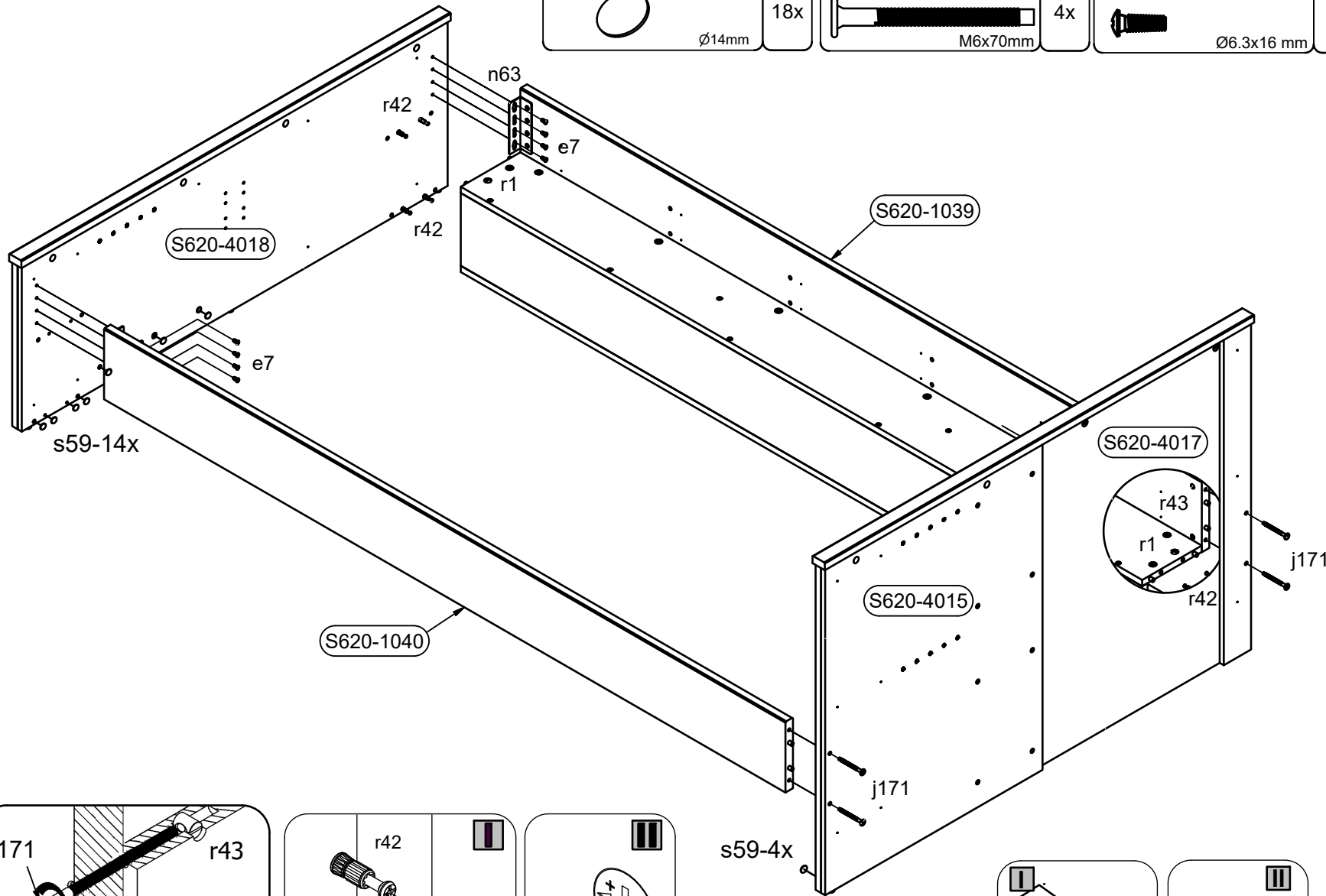
## R



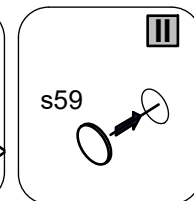
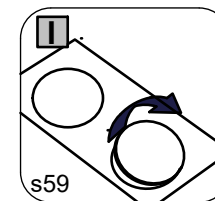
14  
L



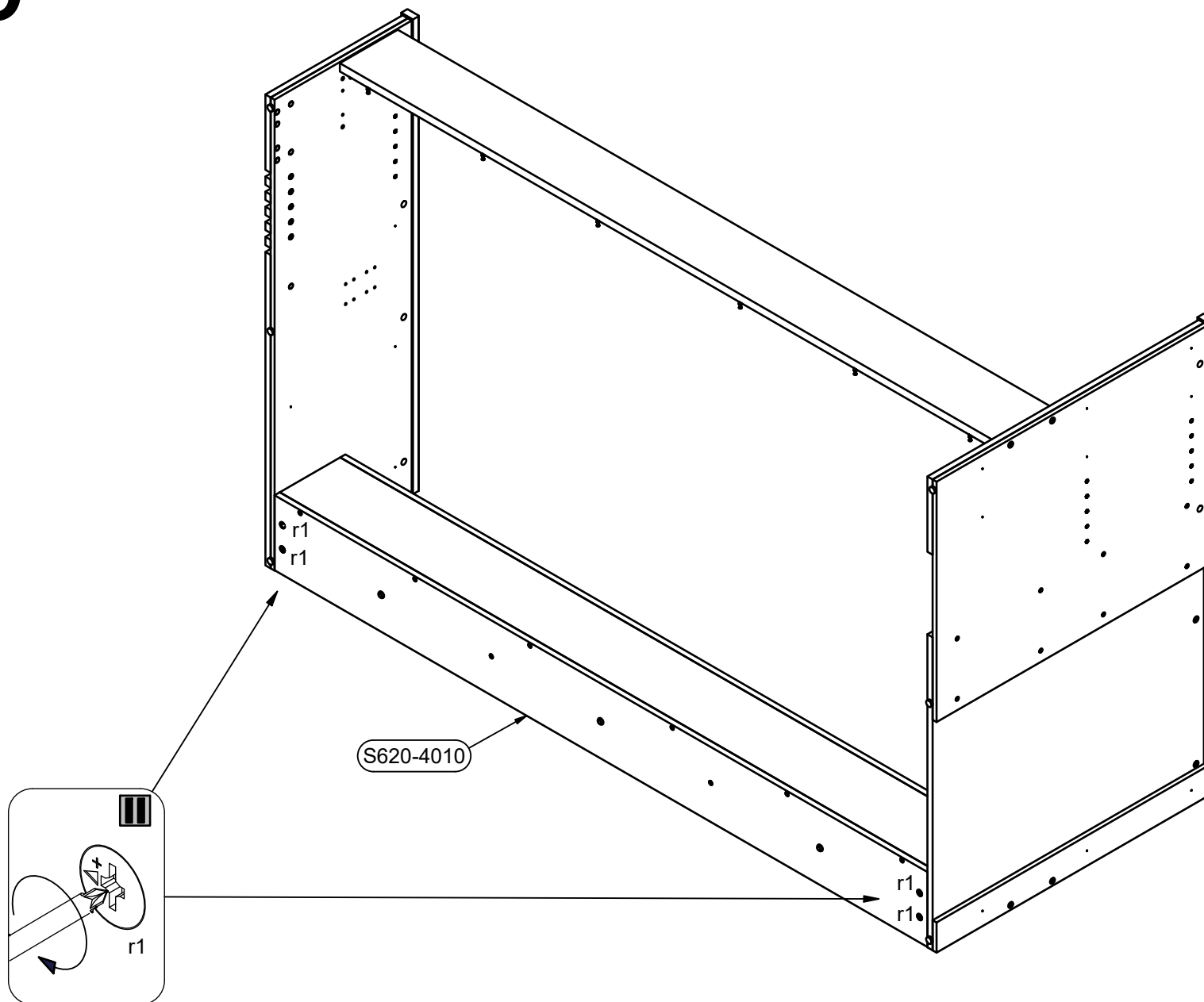
<p>s59 Ø14mm</p>	<p>j171 M6x70mm</p>	<p>e7 Ø6.3x16 mm</p>	<p>18x</p>	<p>4x</p>	<p>8x</p>
----------------------	-------------------------	--------------------------	------------	-----------	-----------

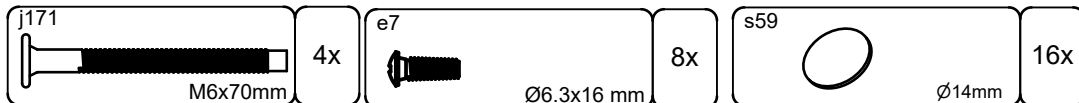


s59-4x

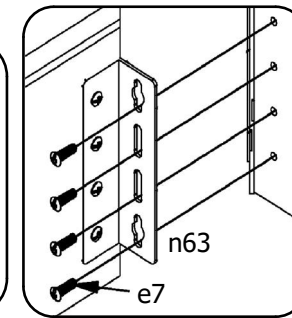
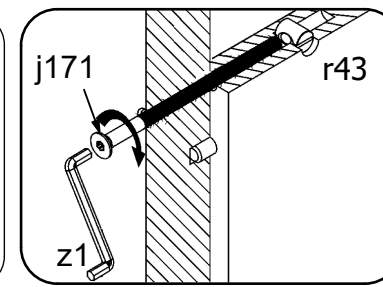
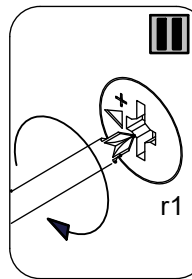
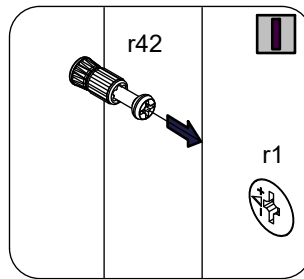
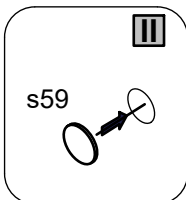
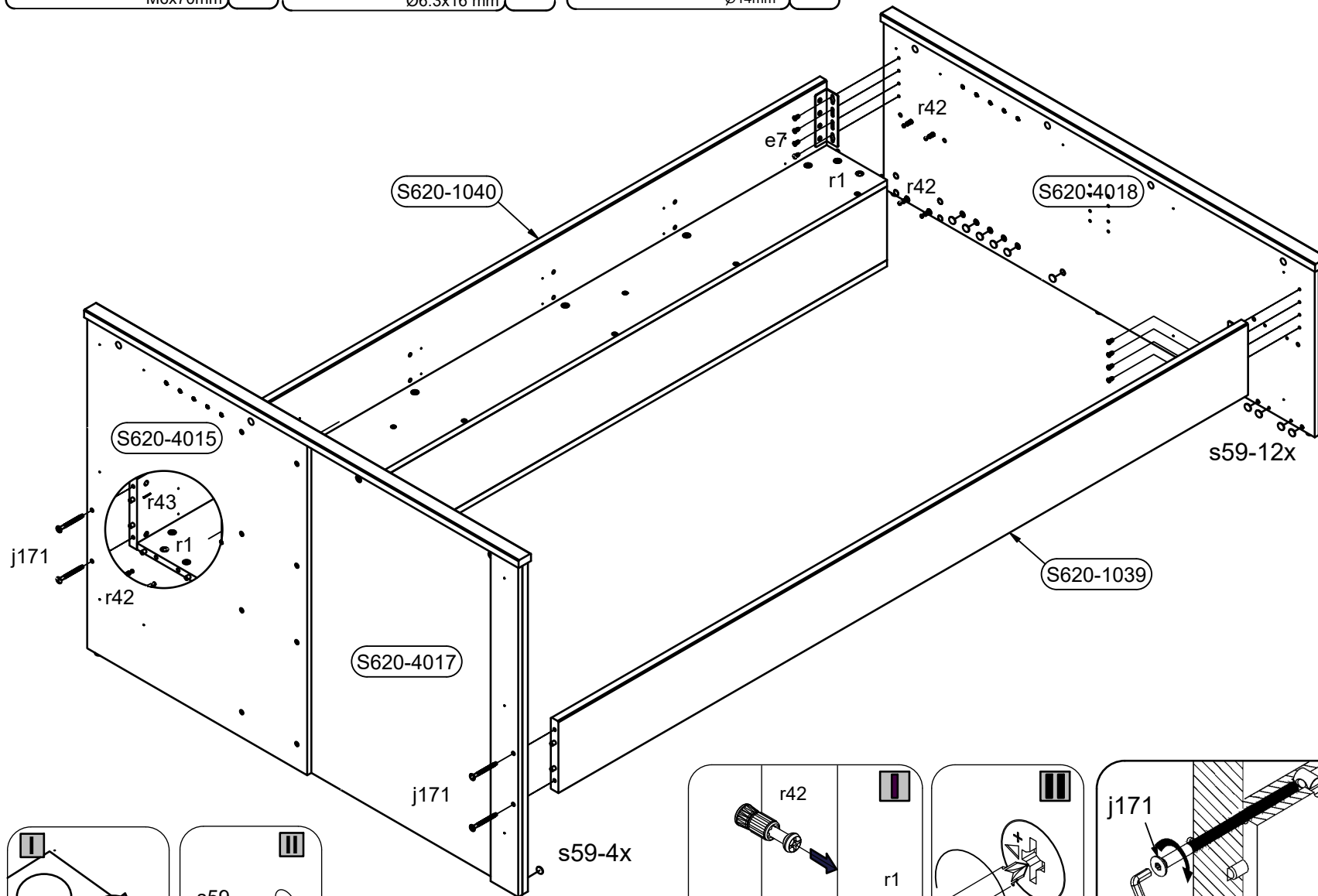


15  
L

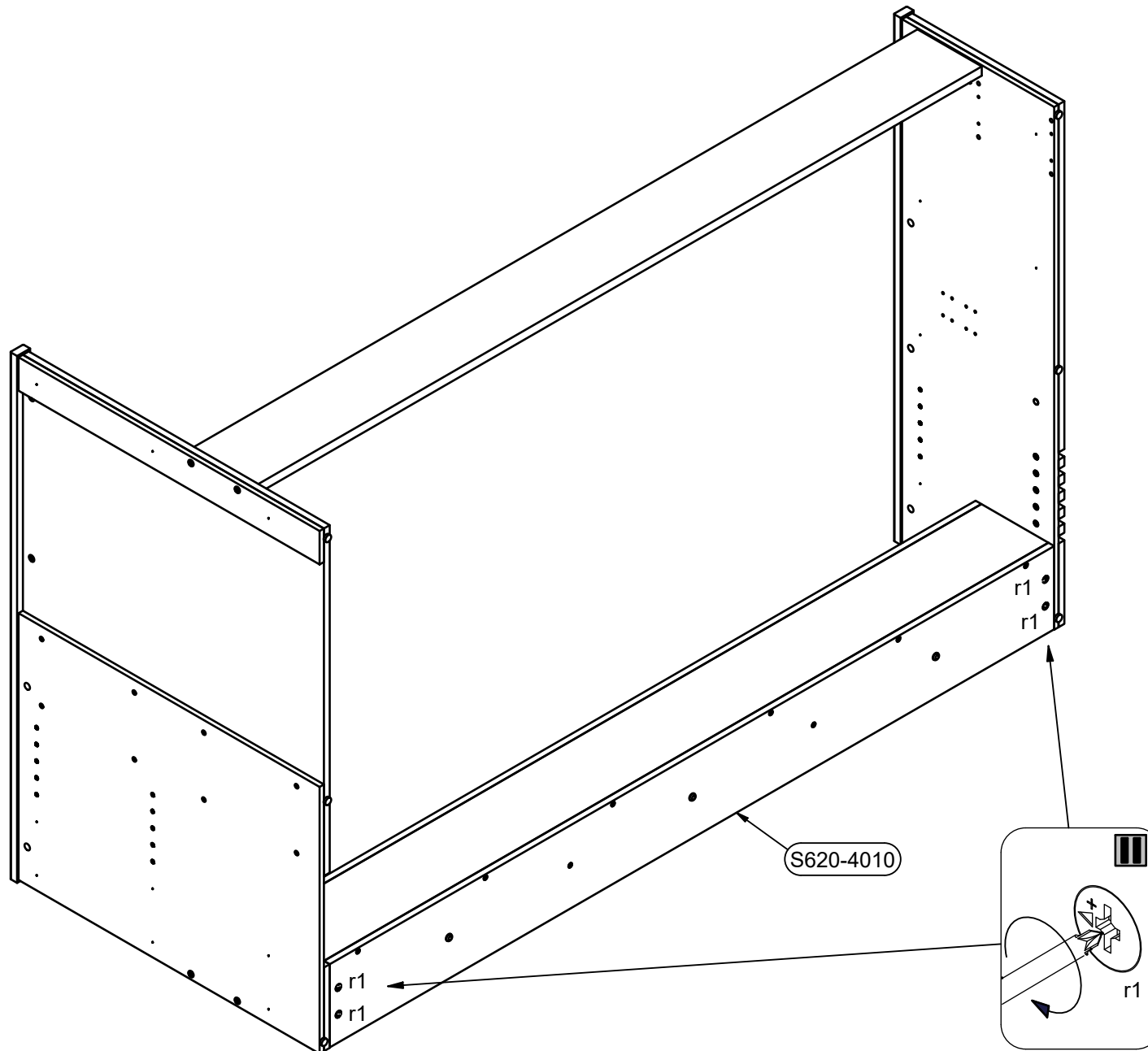




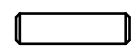
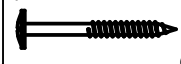


14  
R

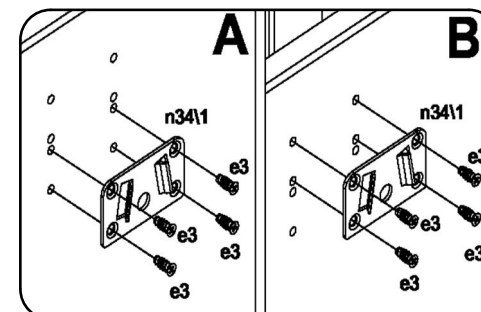
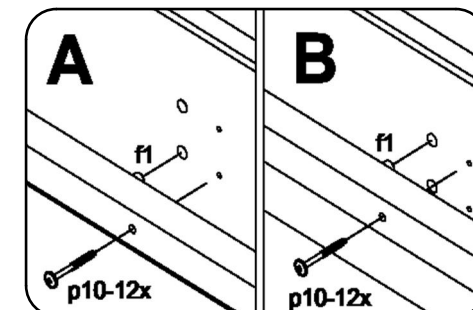
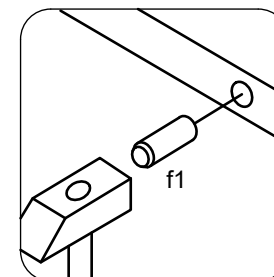
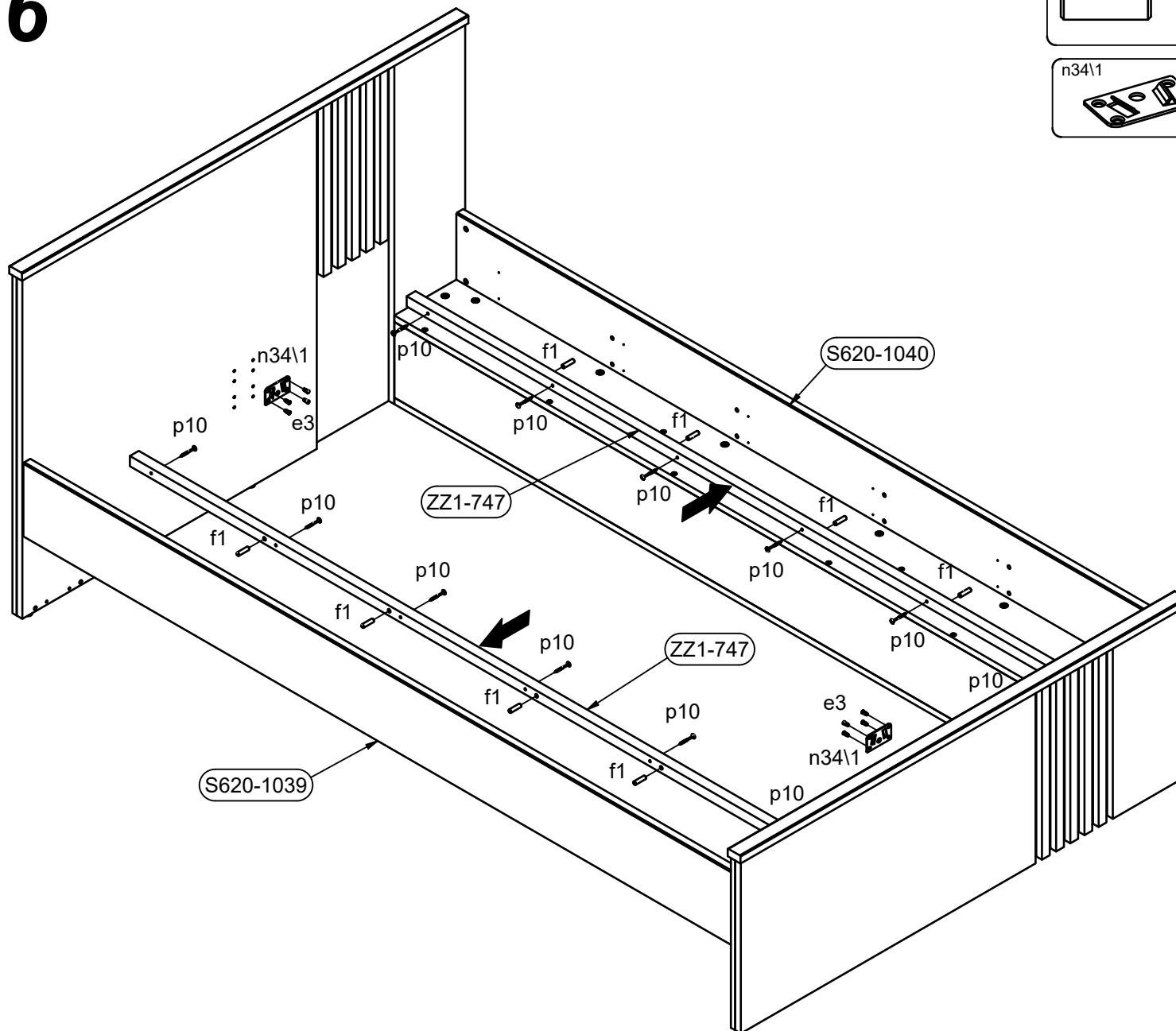


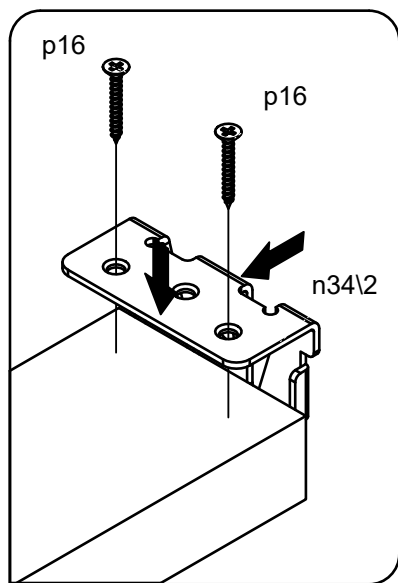
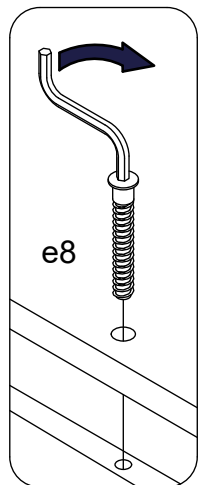
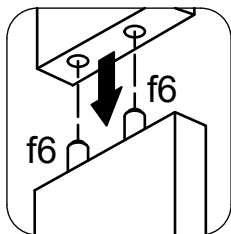
15  
R



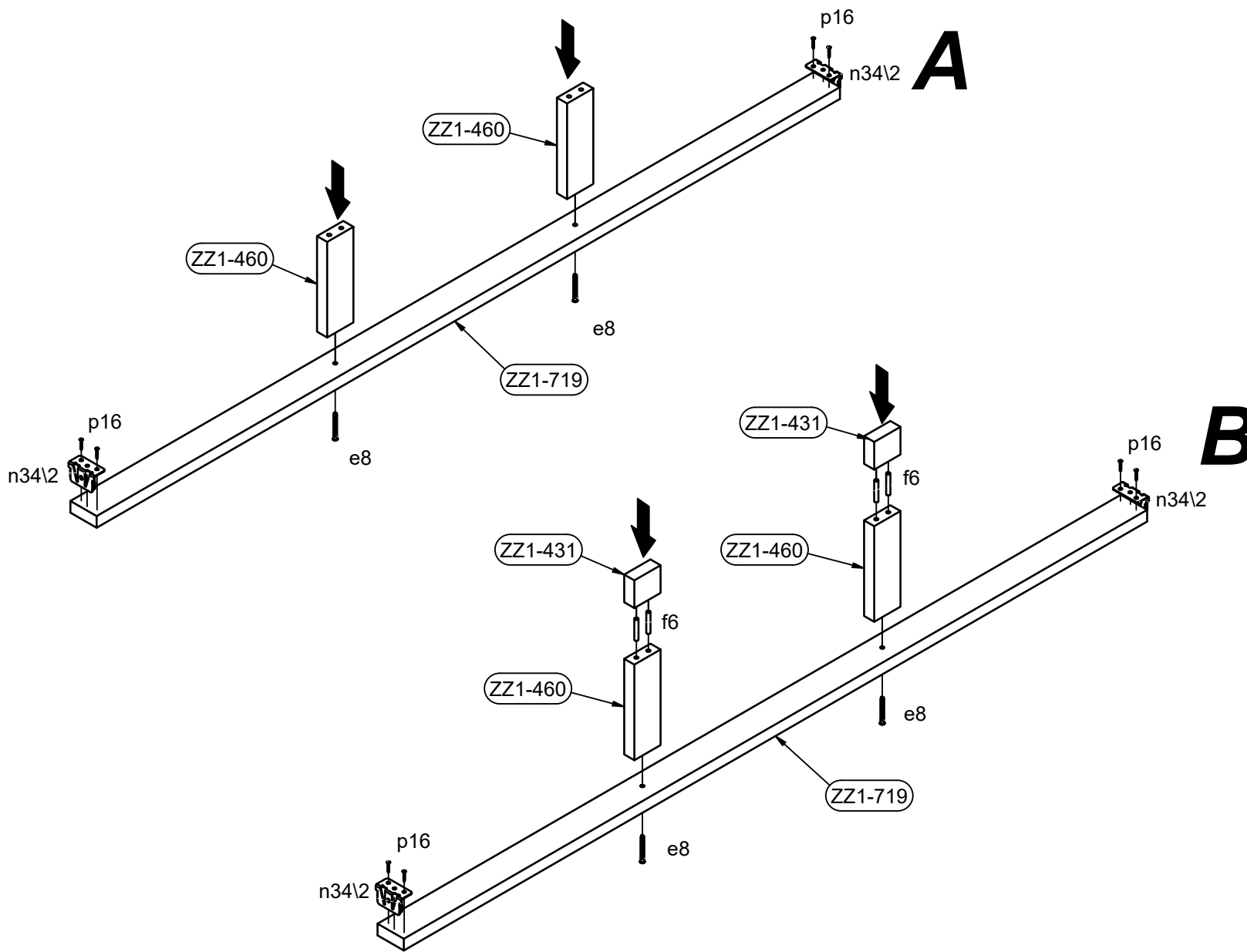
# 16

f1  30mm	8x	p10  Ø4x40 mm	12x
n34\1 	2x	e3  Ø6x13 mm	8x

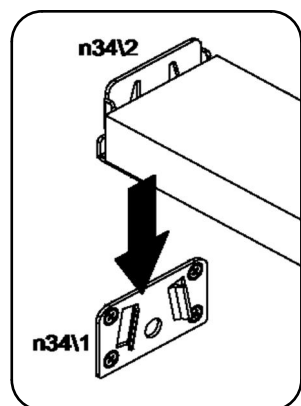
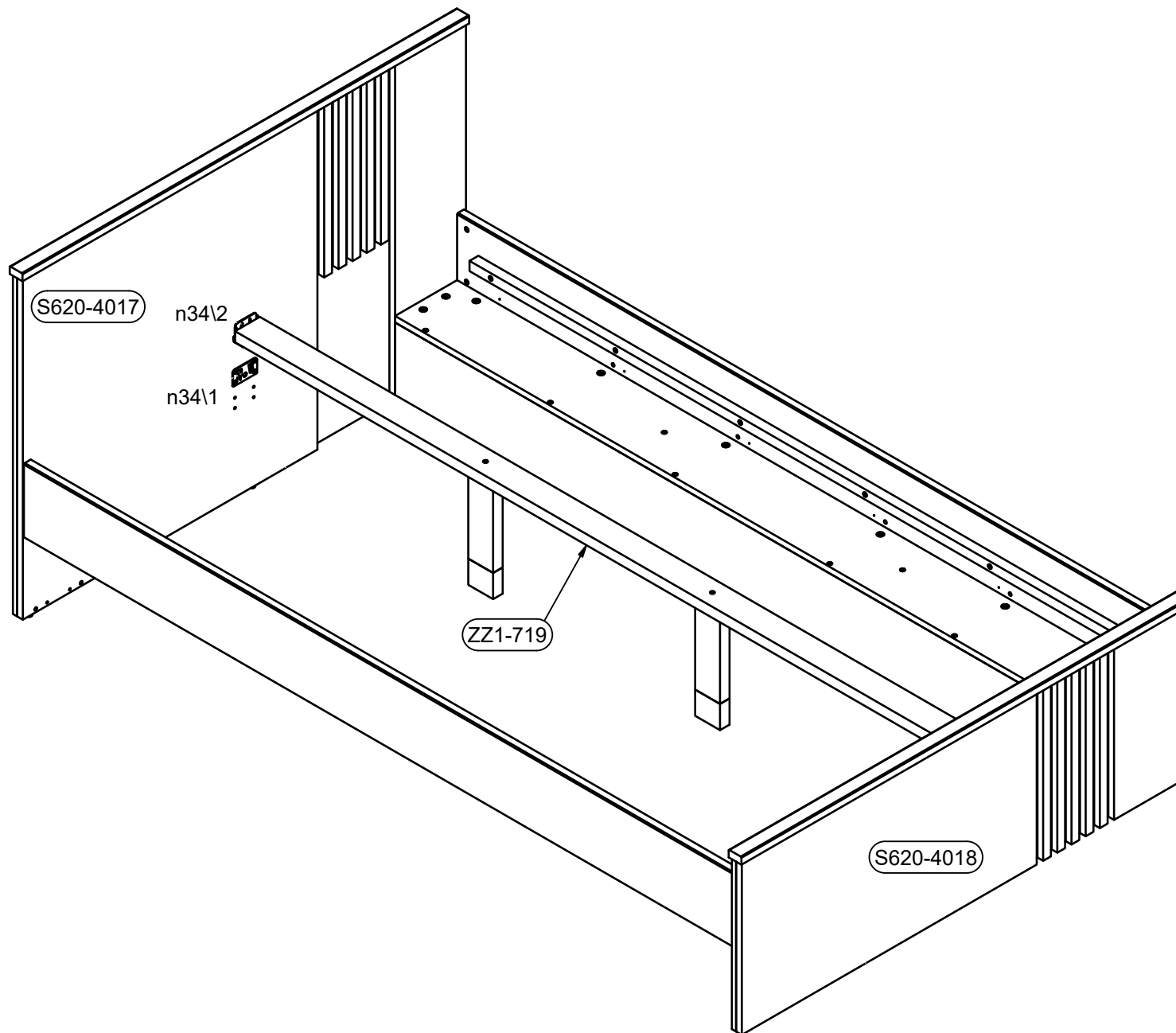




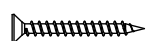
n34\2		2x	p16		4x	e8		2x	f6		4x
				Ø3.5x25 mm			Ø7x60 mm			Ø8x50 mm	



# 18



# 19

p6	6x
	Ø4x35 mm

