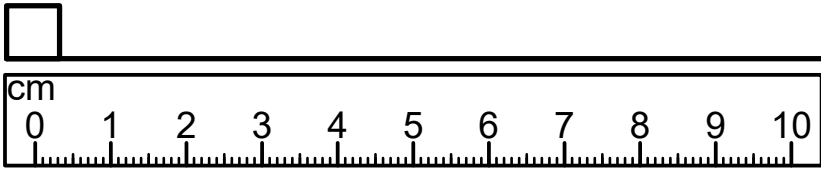


B1	B2	C1	C2	C3	C4	D
S620-1039	-2	2000	180	22	1	1/2
S620-1040	-3	2000	180	22	1	1/2
S620-4010	-2	2000	199	16	2	1/2
S620-4011	-3	2000	175	16	2	1/2
S620-4012	-2	2000	185	16	2	1/2
S620-4013	-2	185	159	16	4	2/2
S620-4014	-3	532	831	28	1	2/2
S620-4015	-3	638	831	28	1	2/2
S620-4016	-3	950	420	28	1	2/2
S620-5057	-12	420	22	16	10	2/2
S620-5066	-1	960	36	19	2	2/2
ZZ1-513		1932	896	18	1	1/2
ZZ1-747	-2	1880	25	25	2	1/2



1:1

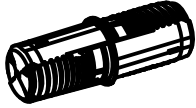
p16		2x	p16		2x
p55			p55		1x
f1		1x	f1		1x

e1		16x	e7		16x	e45		8x
	50mm			Ø6.3x16 mm			Ø7x24 mm	
f1		44x	j171		4x	p6		6x
	Ø8x30 mm			M6x70mm			Ø4x35 mm	
p10		12x	r1		20x	r42		20x
	Ø4x40 mm			15x12mm				



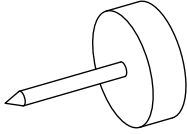
~~1:1~~

f88



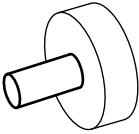
20x

k1



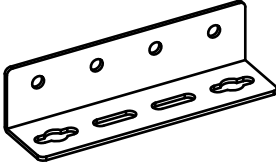
6x

k22



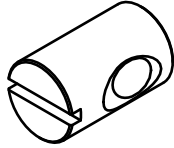
3x

n63



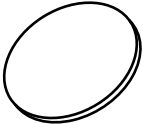
2x

r43



4x

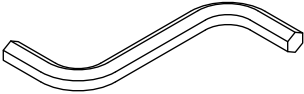
s59



Ø14mm

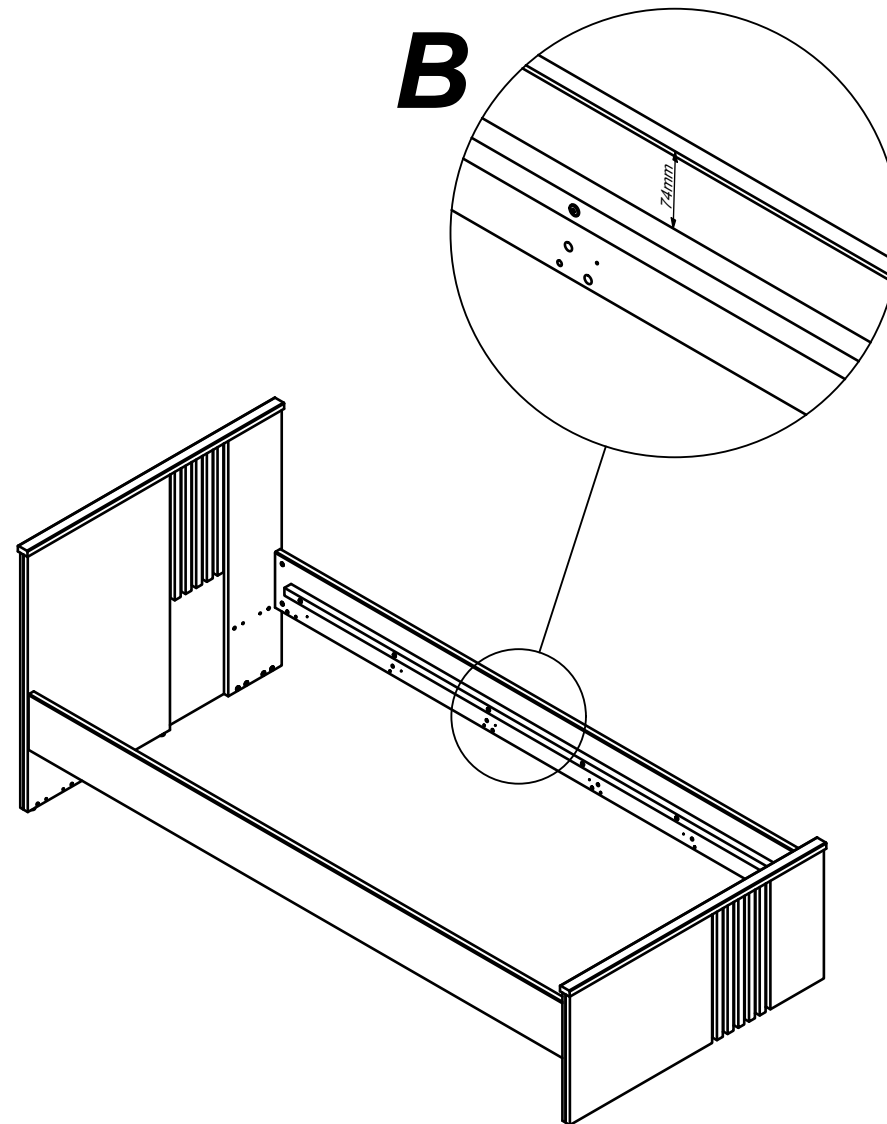
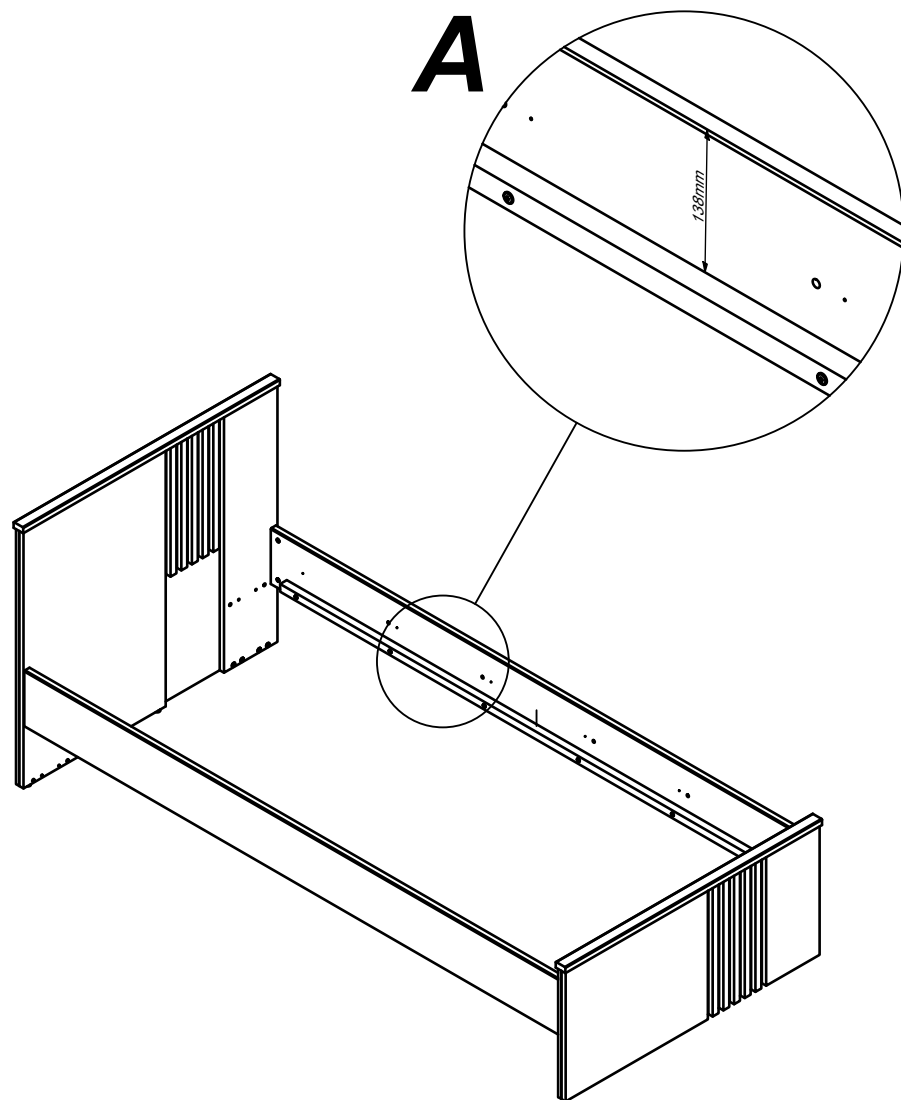
18x

z1



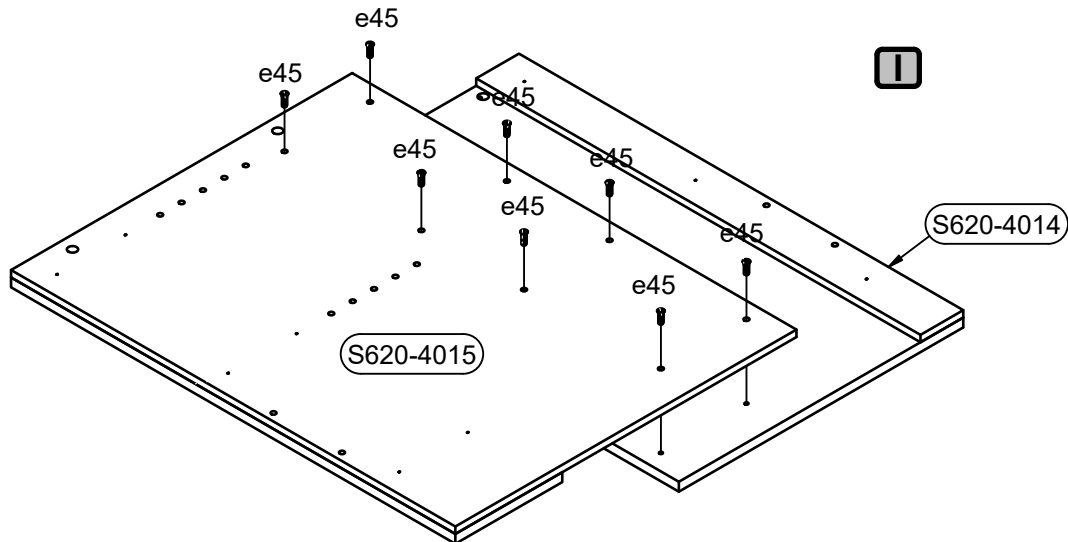
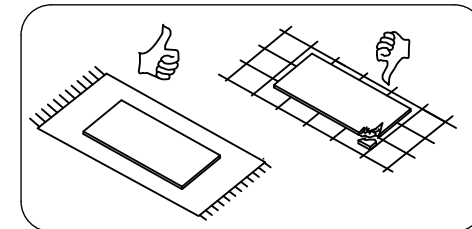
4 mm

1x

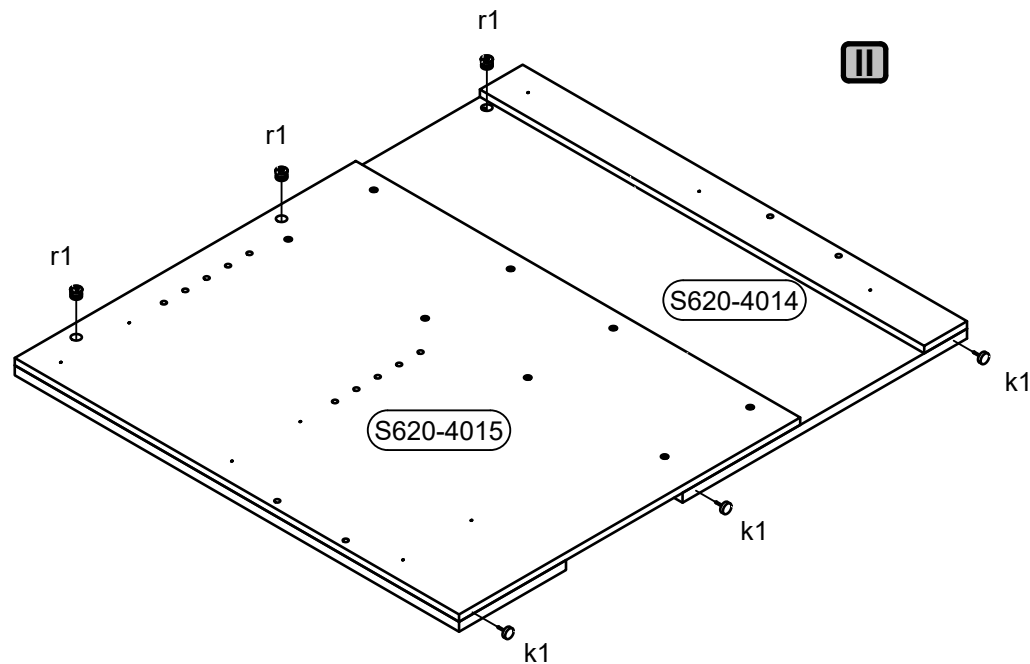




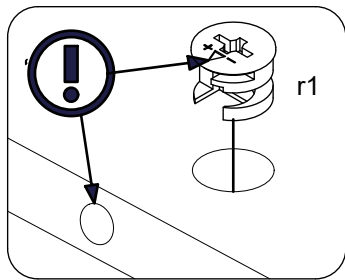
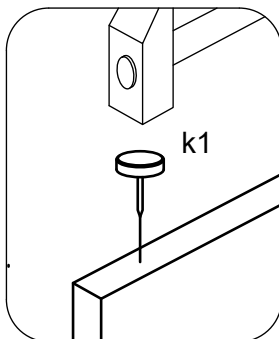
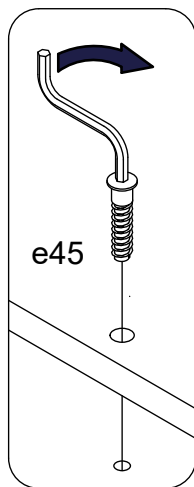
e45 Ø7x24 mm	8x	r1 15x12mm	3x	k1 	3x
---------------------	----	-------------------	----	--------	----



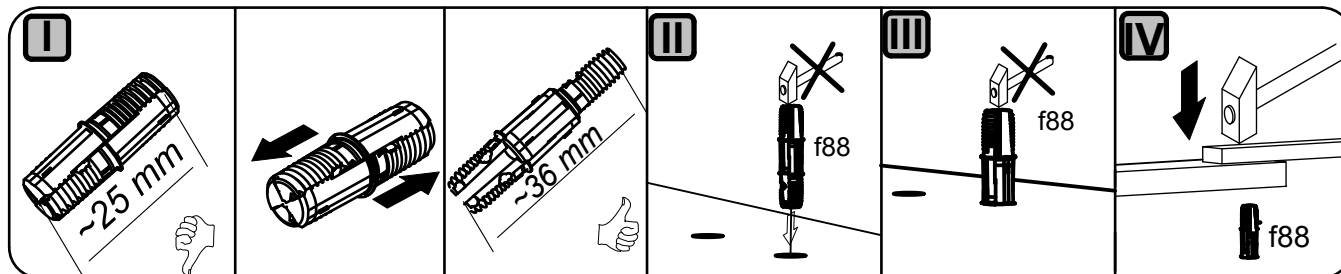
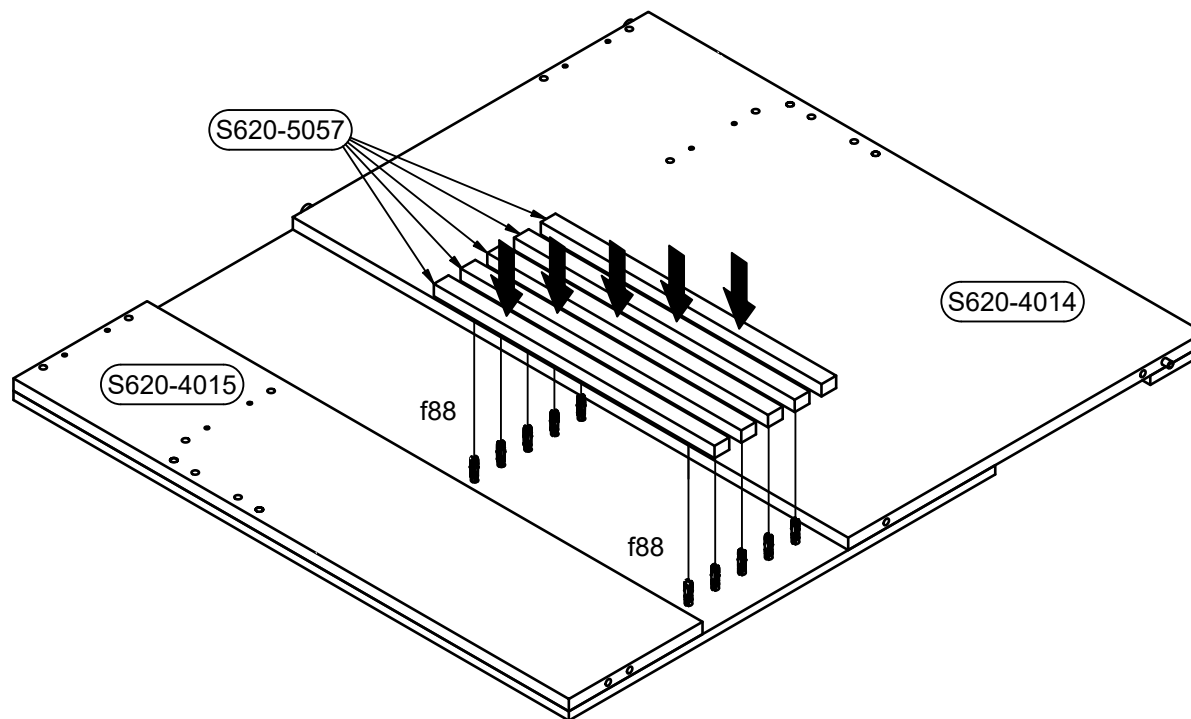
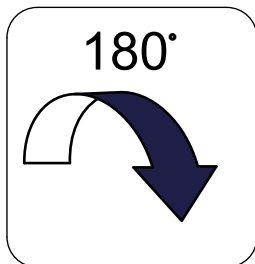
I




II

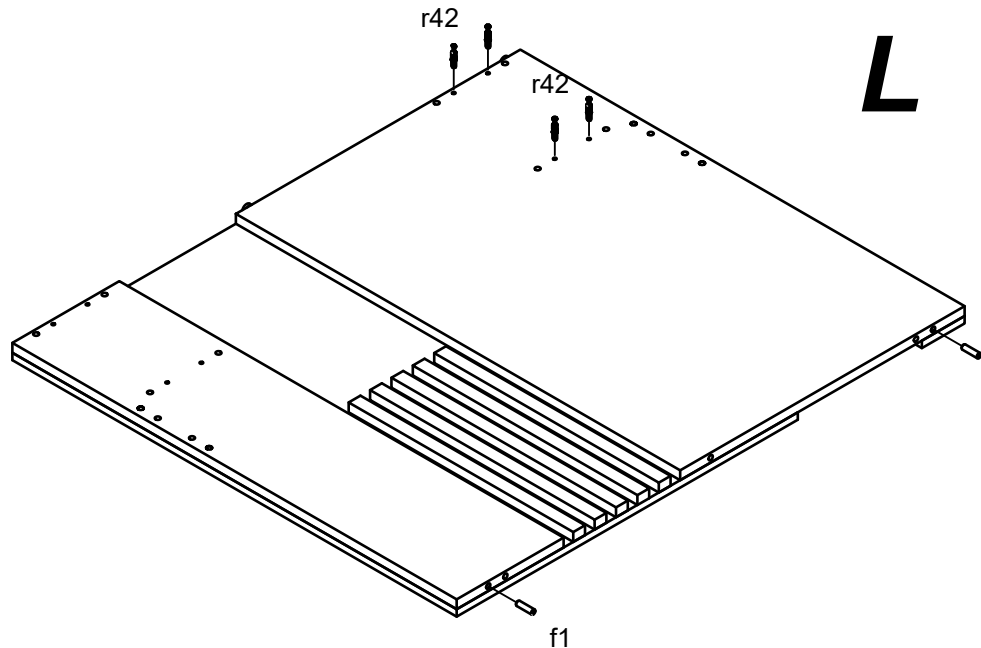


2

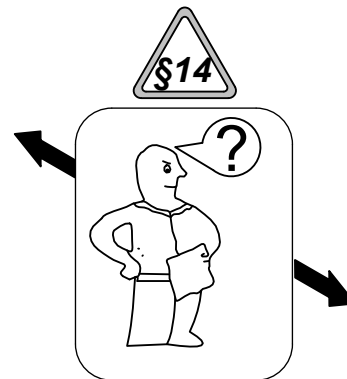


3

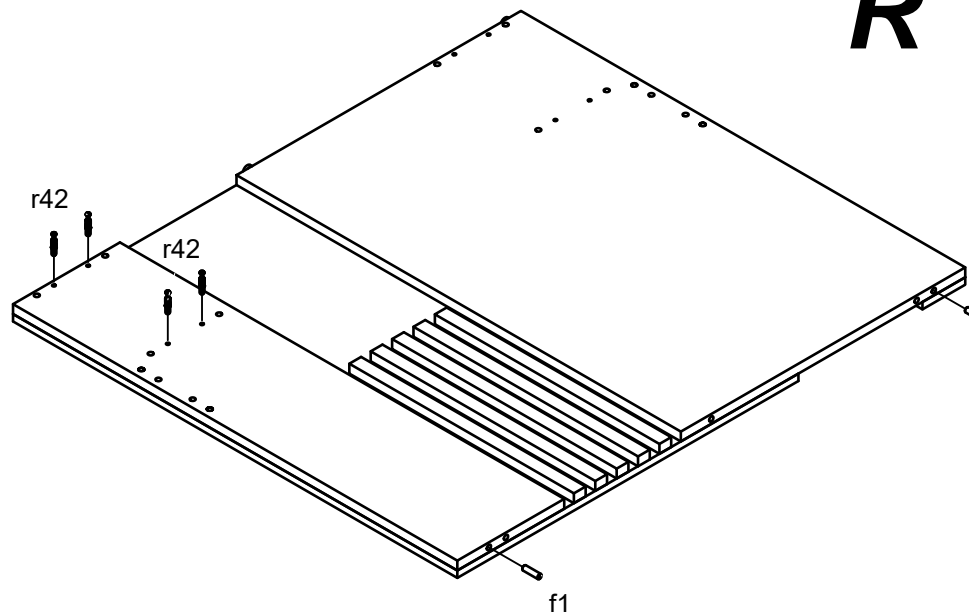
f1  30mm	2x	r42 	4x
---	----	--	----

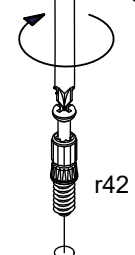
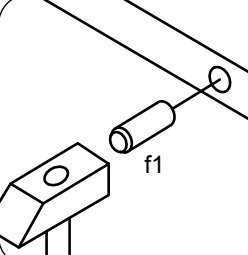



L



R



		 <p>max. 10mm</p>
---	---	--

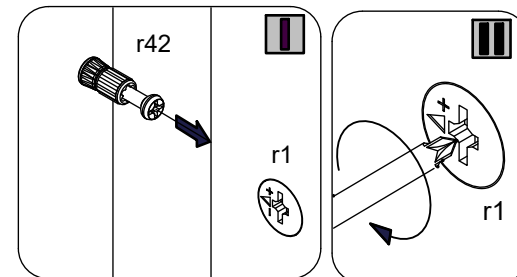
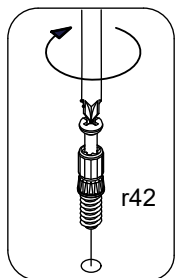
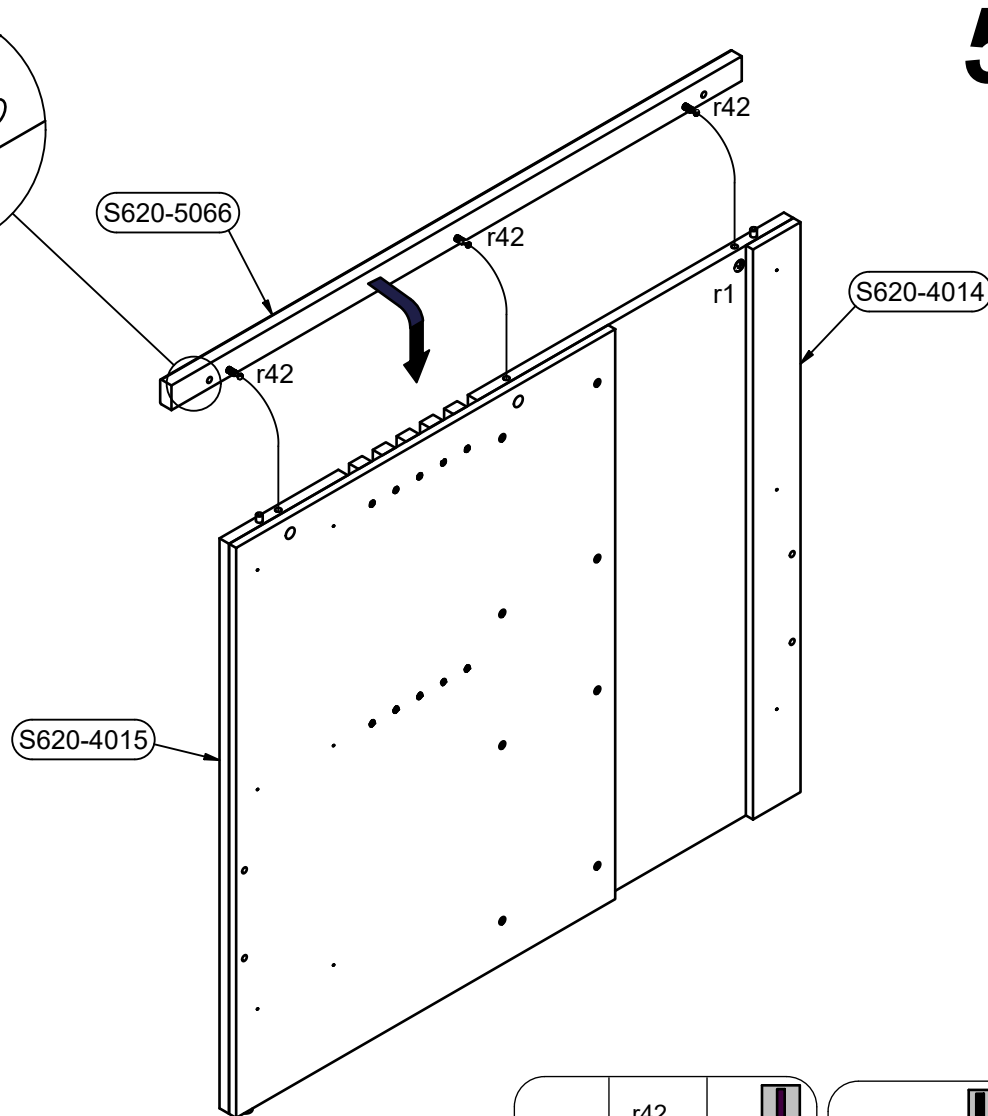
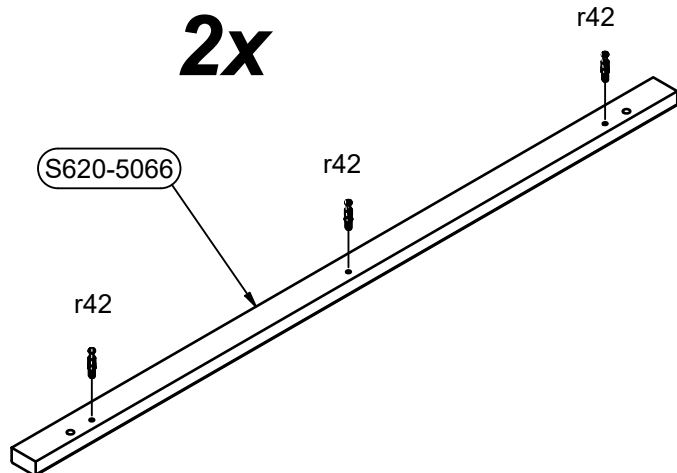
4

r42

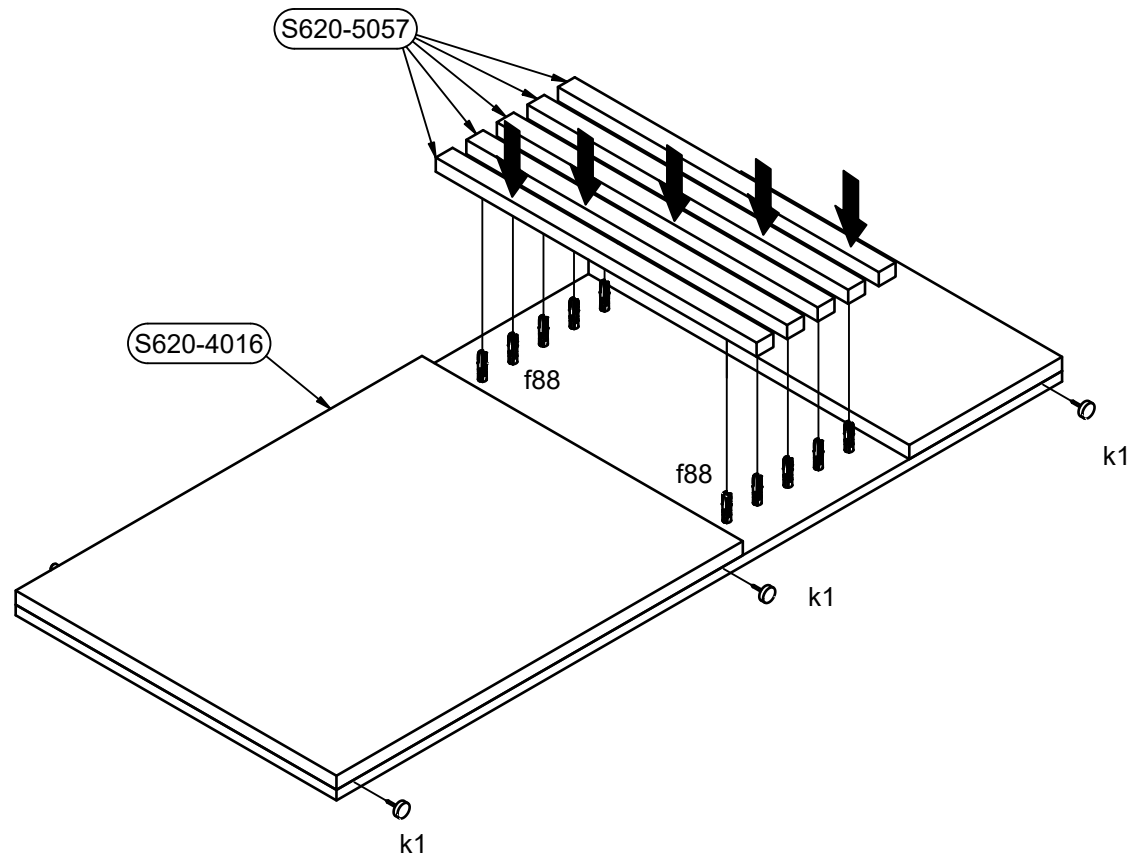
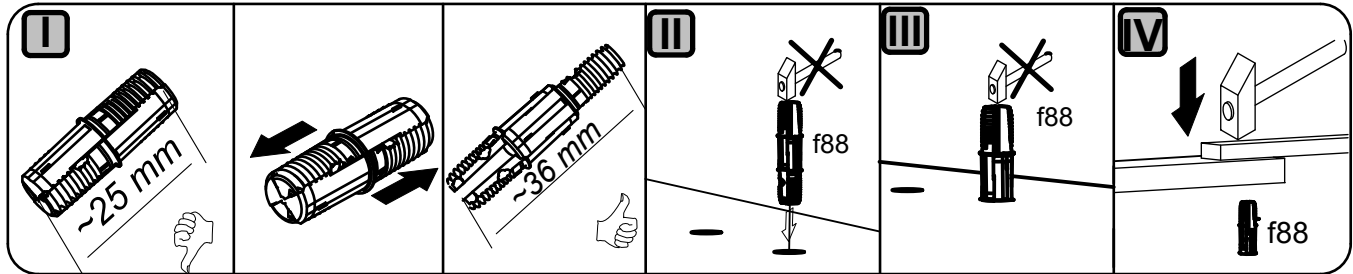
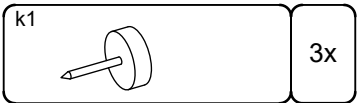


6x

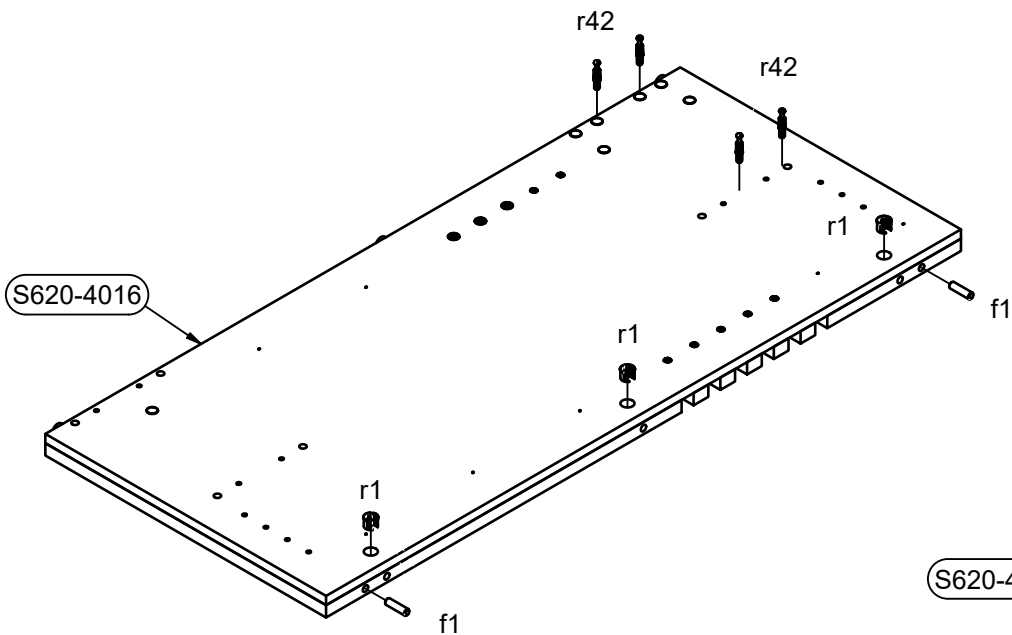
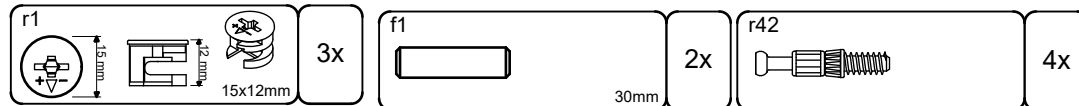
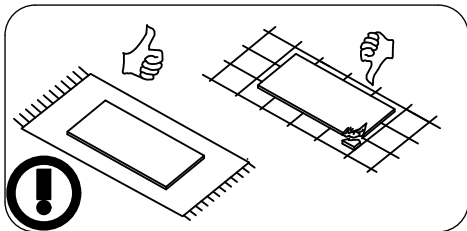
5



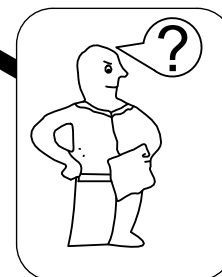
6



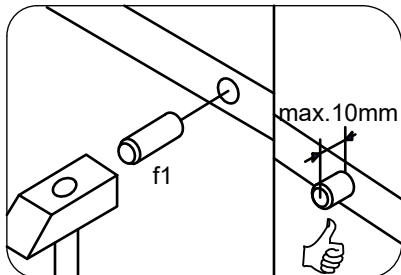
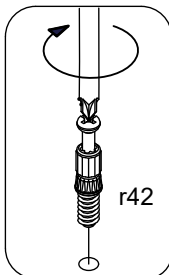
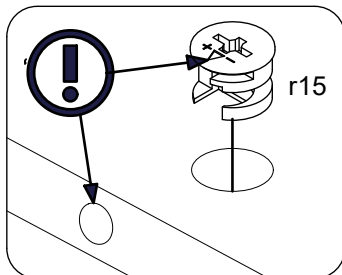
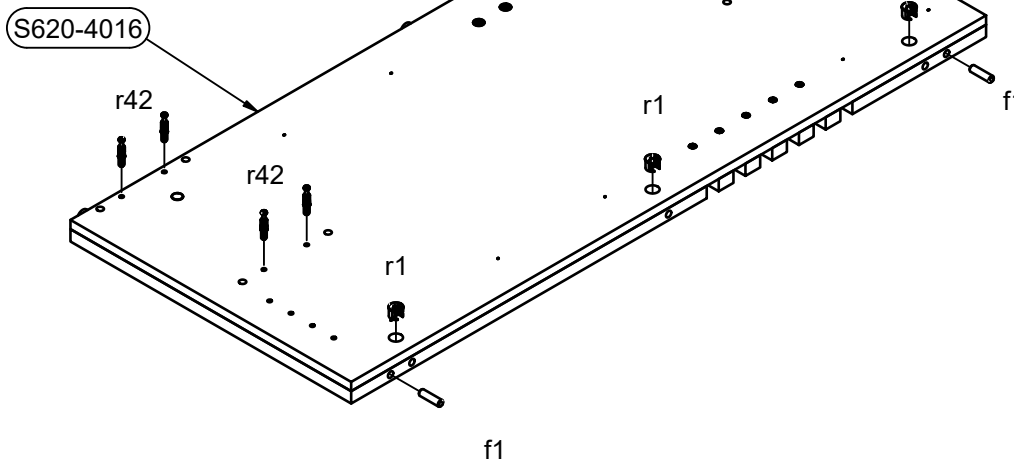
7



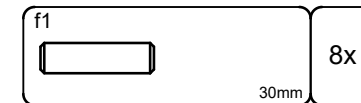
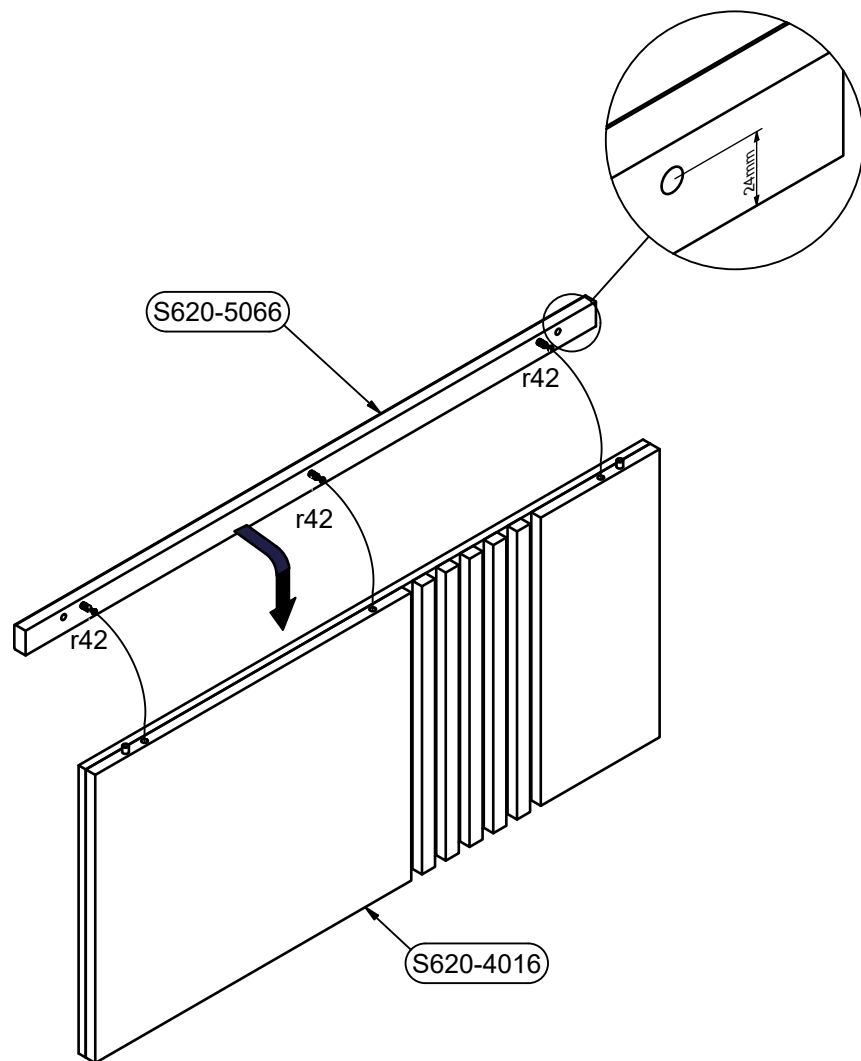
R



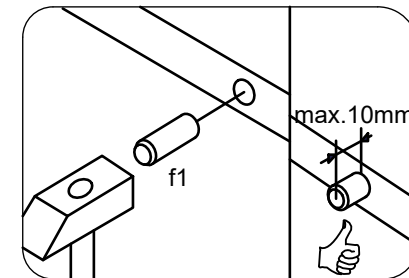
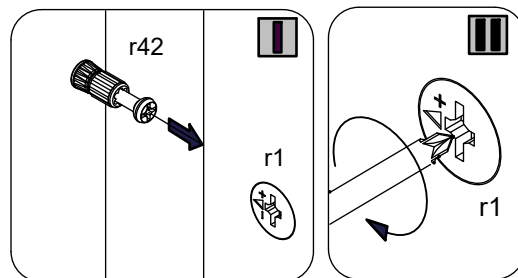
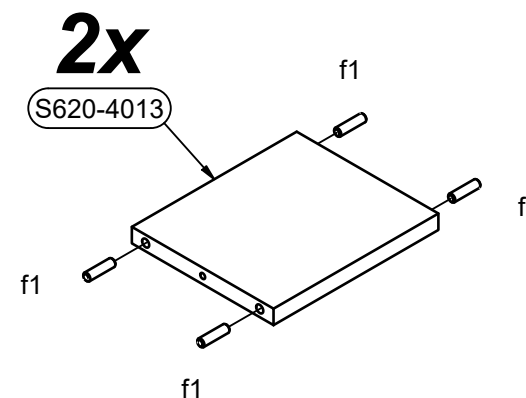
L



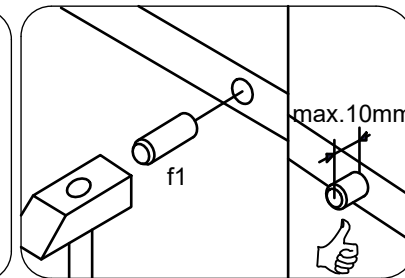
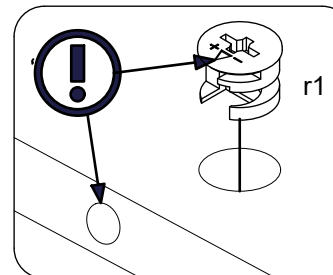
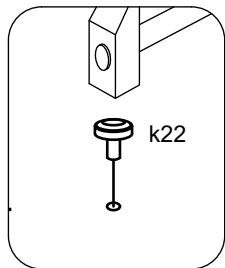
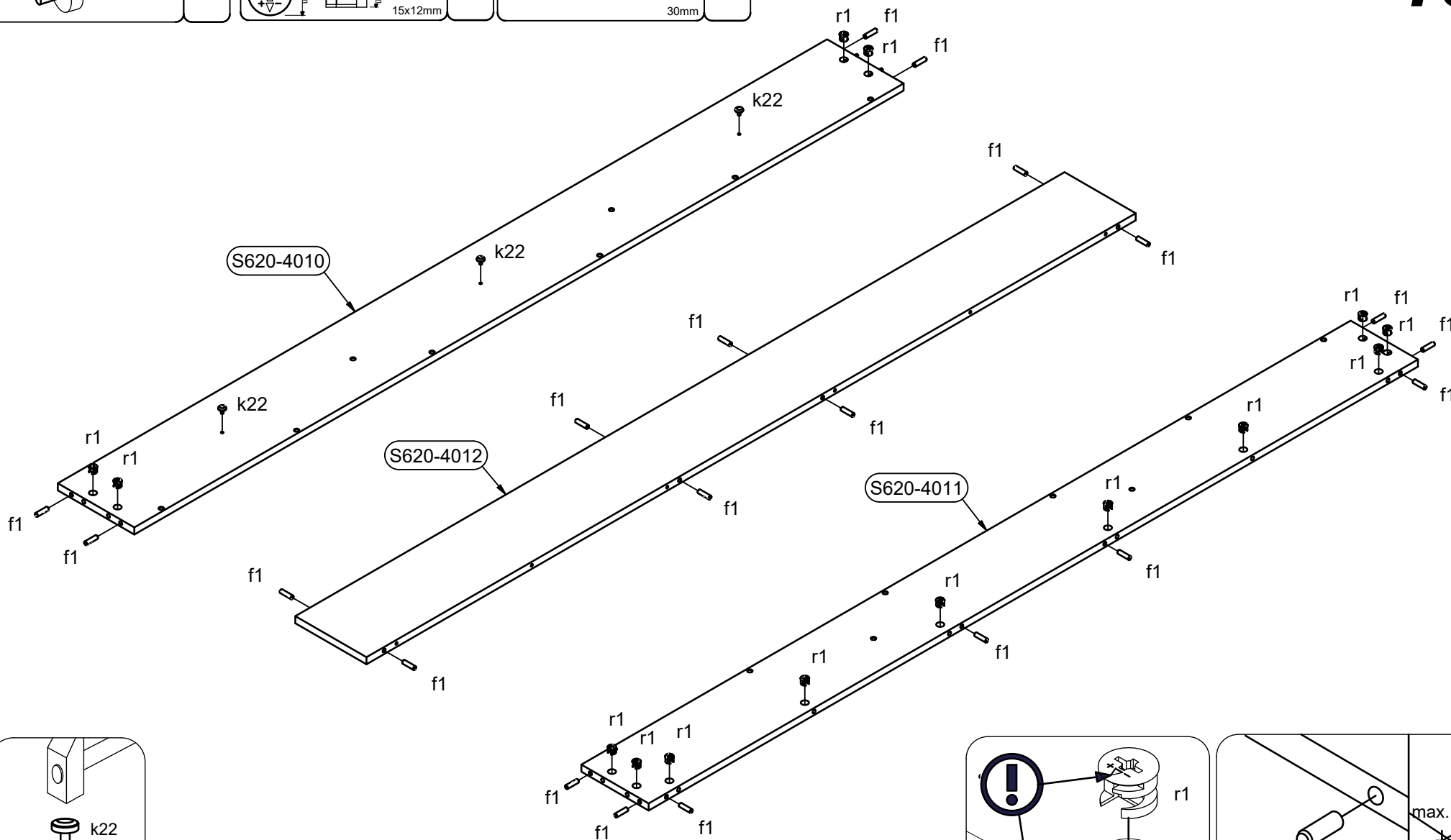
8



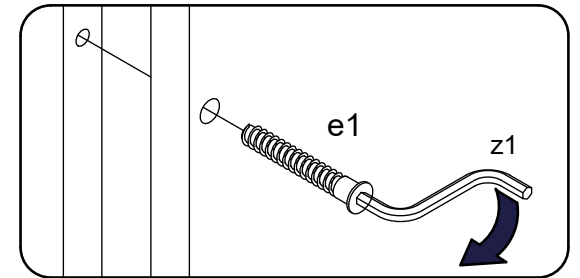
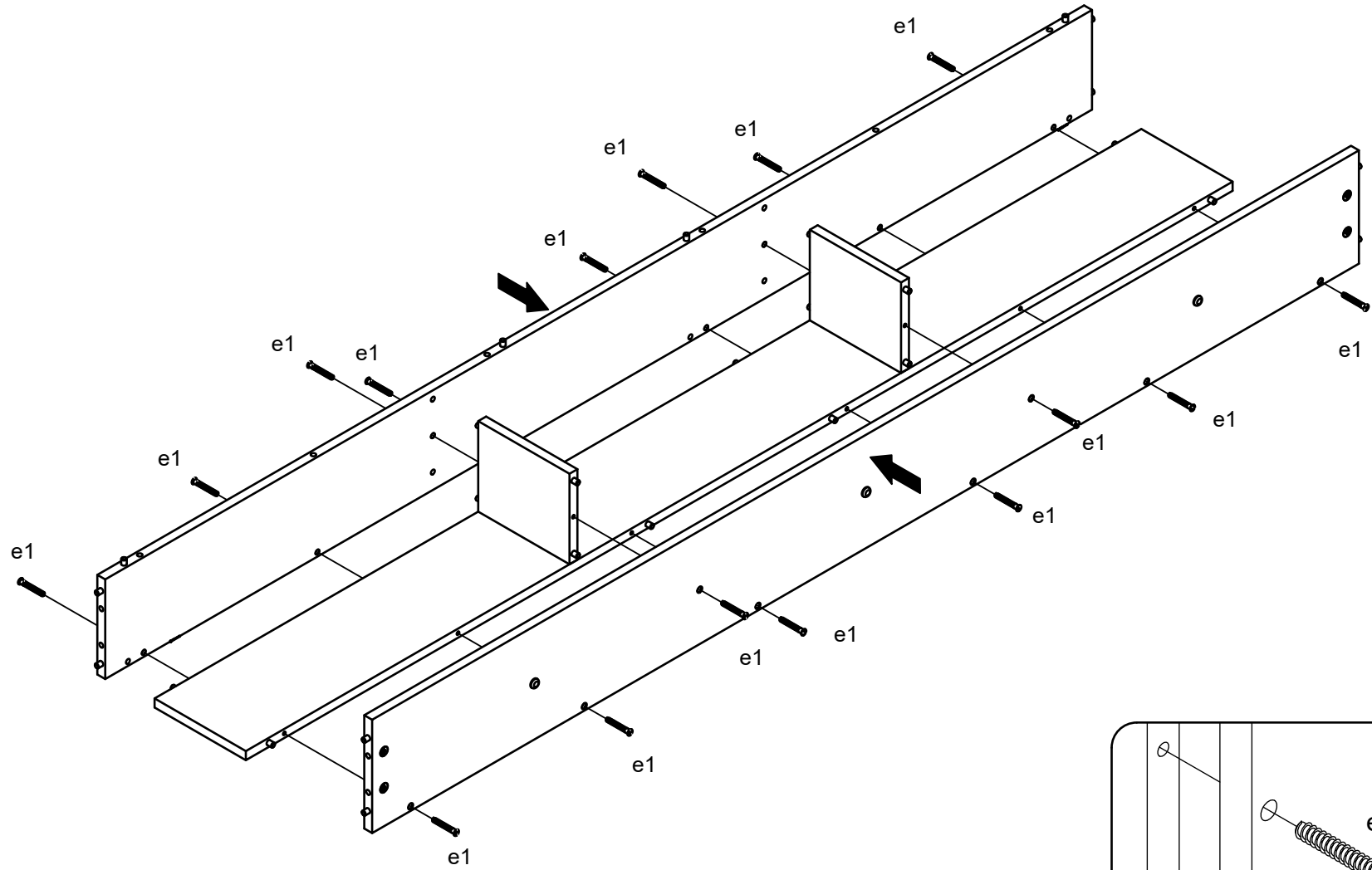
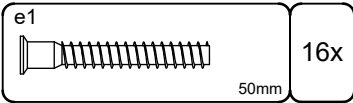
9



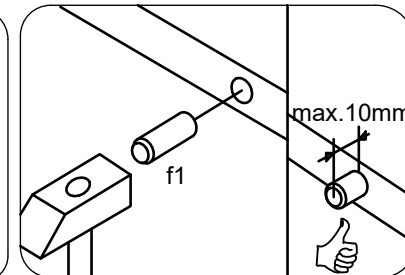
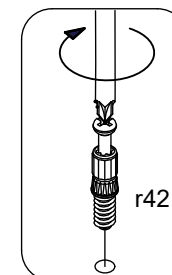
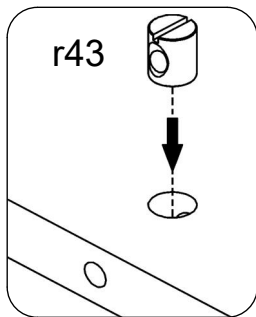
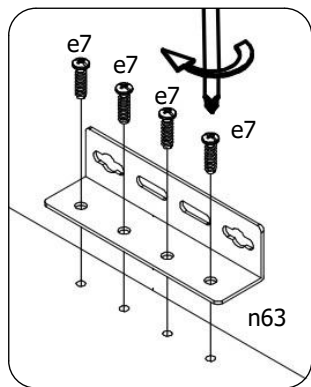
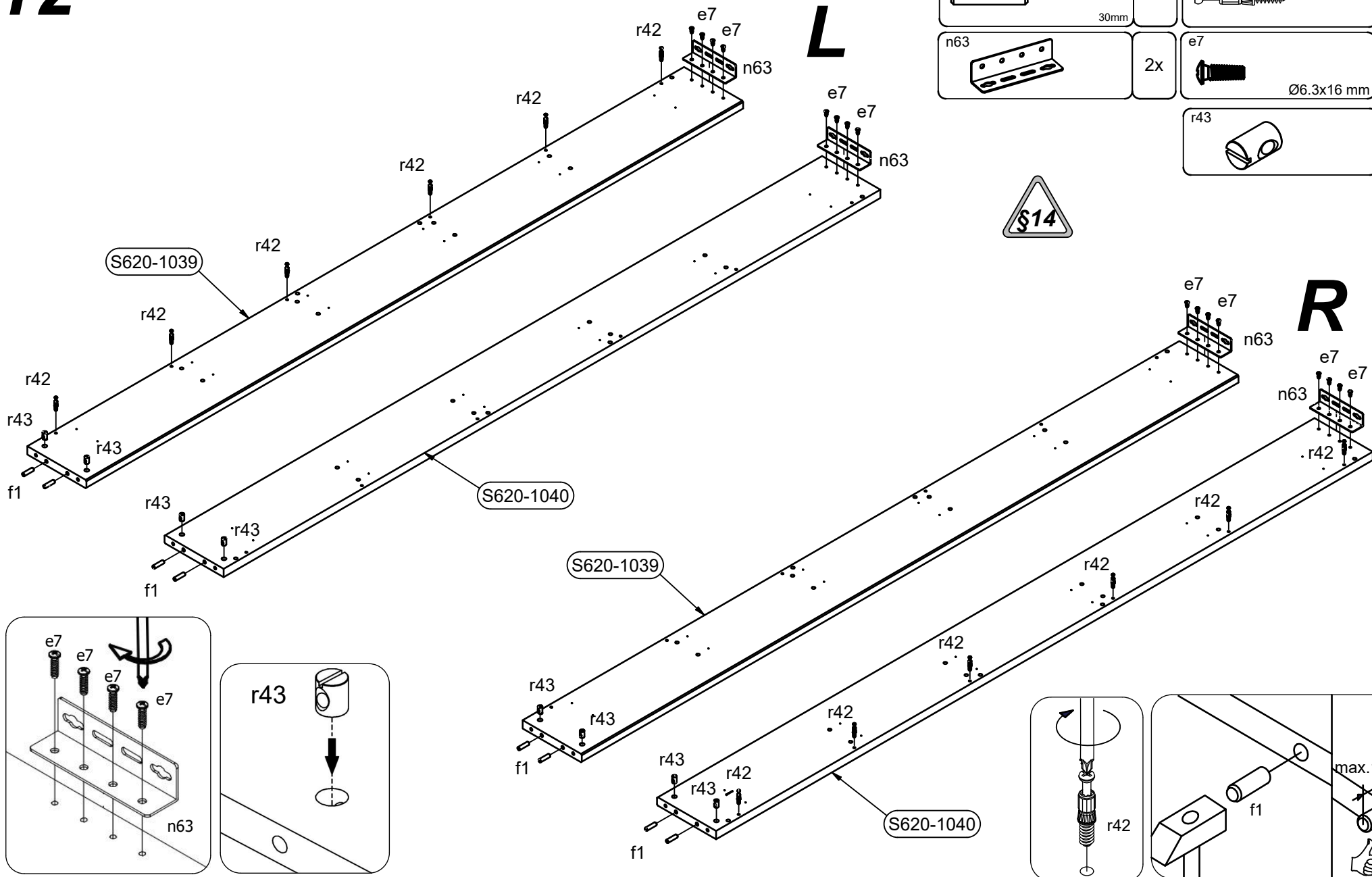
<p>k22</p>	<p>3x</p>	<p>r1</p> <p>15mm</p> <p>4.2mm</p> <p>15x12mm</p>	<p>14x</p>	<p>f1</p> <p>30mm</p>	<p>20x</p>
------------	-----------	---	------------	-----------------------	------------



11



12

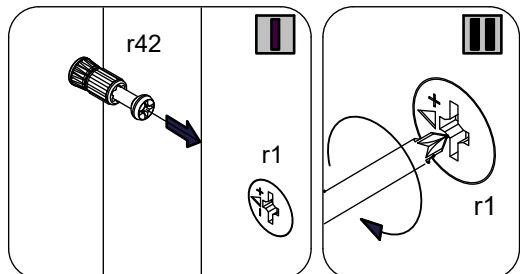
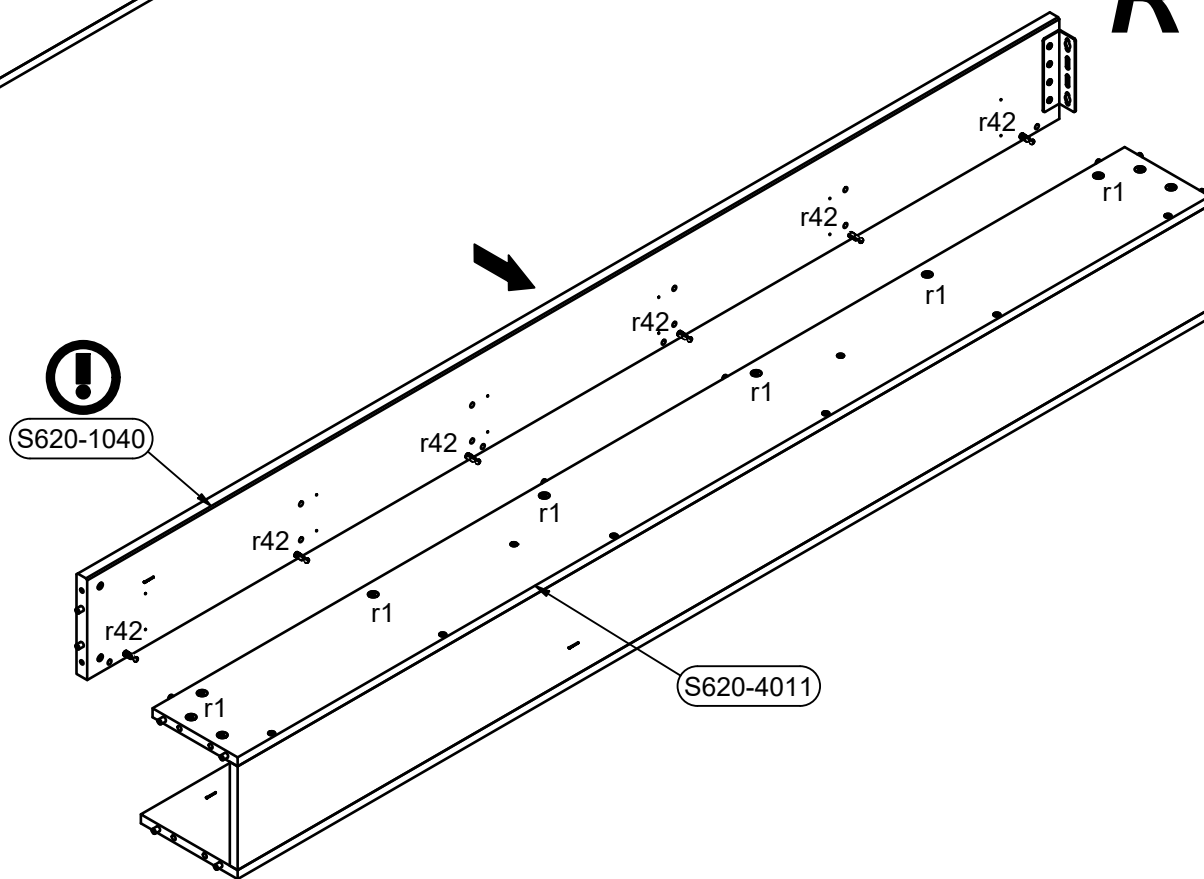
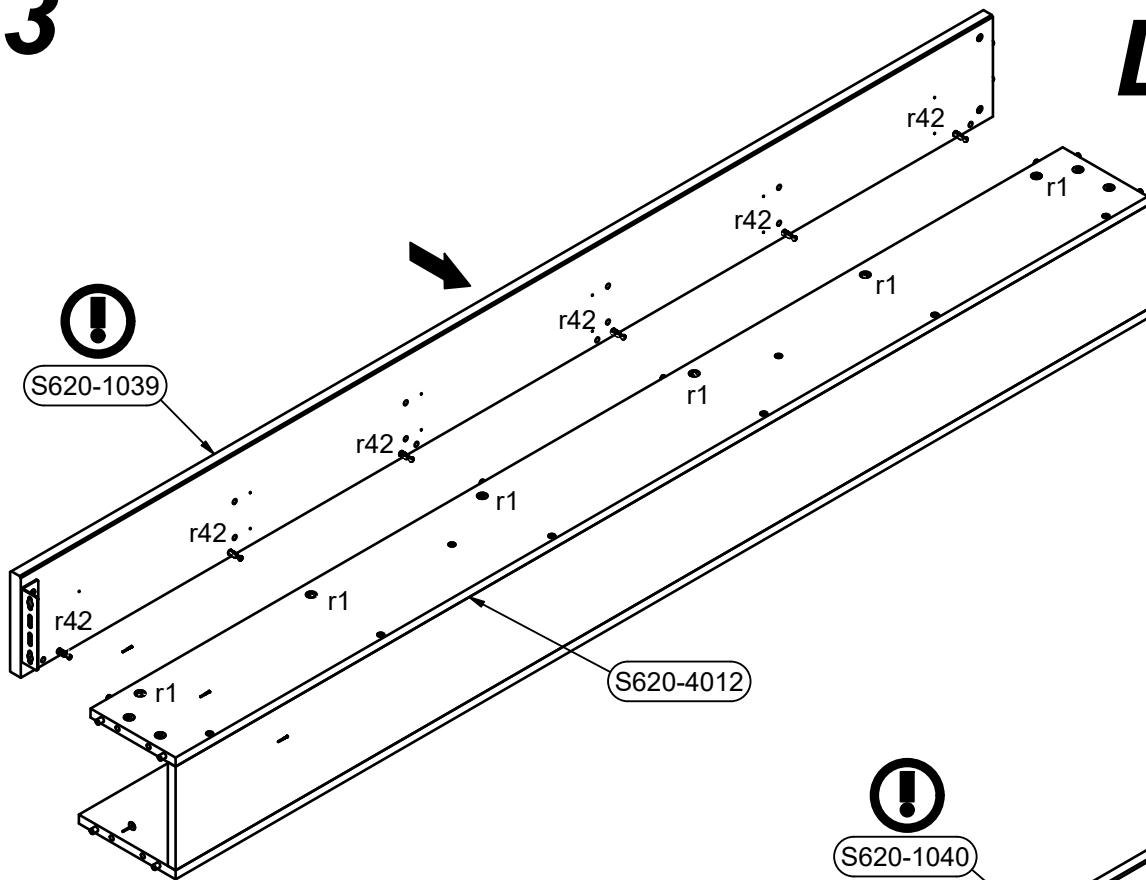


13



L

R

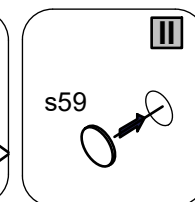
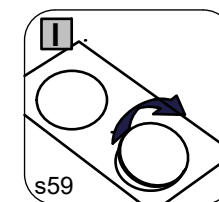
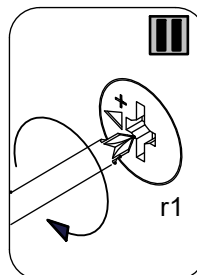
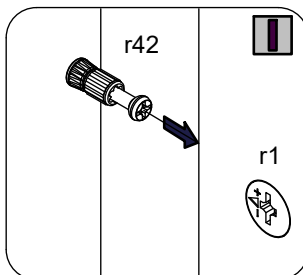
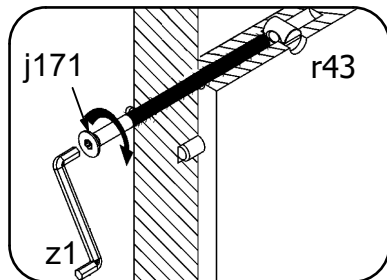
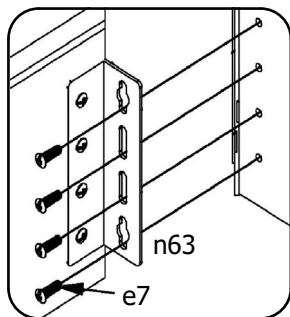
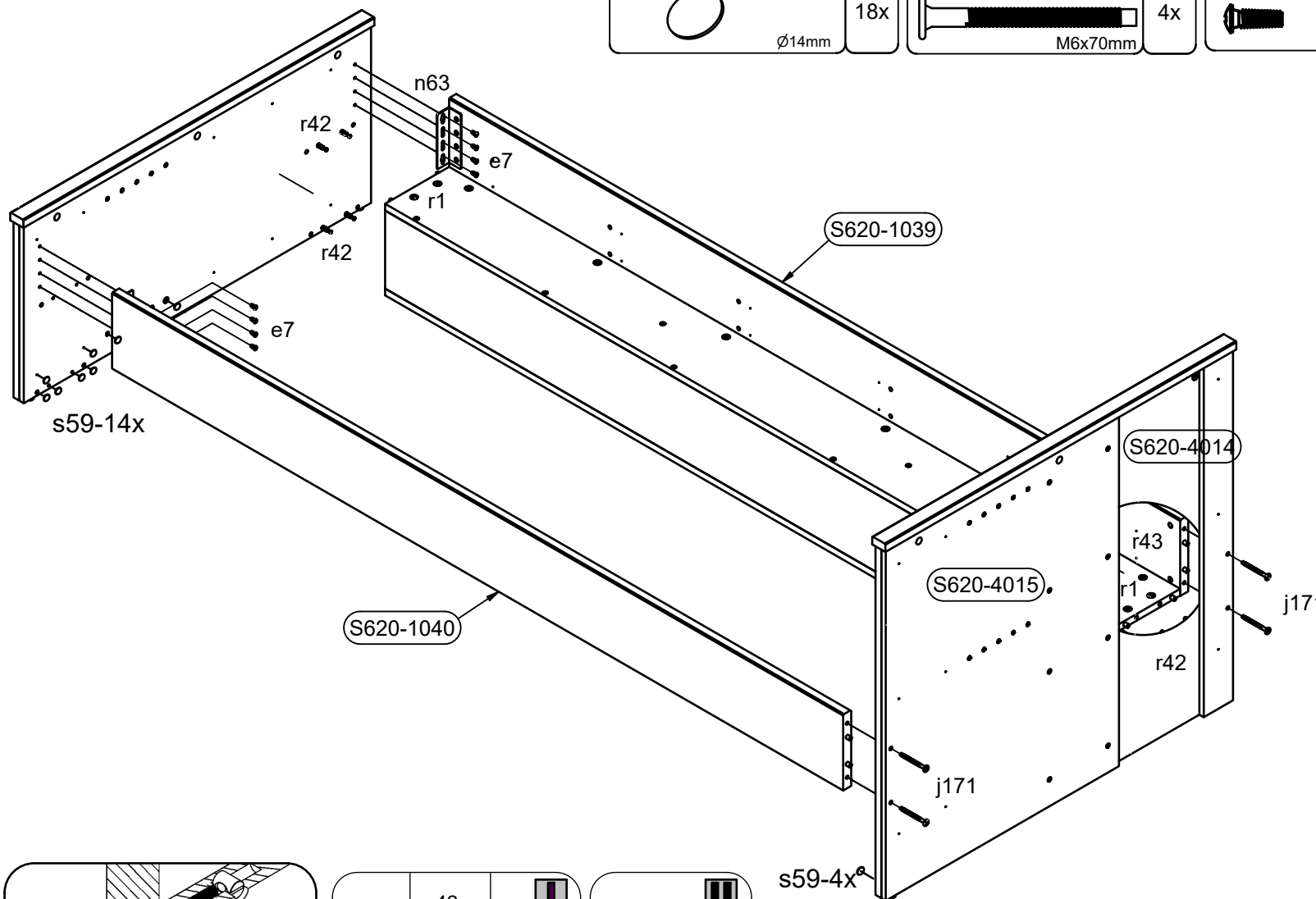


14
L

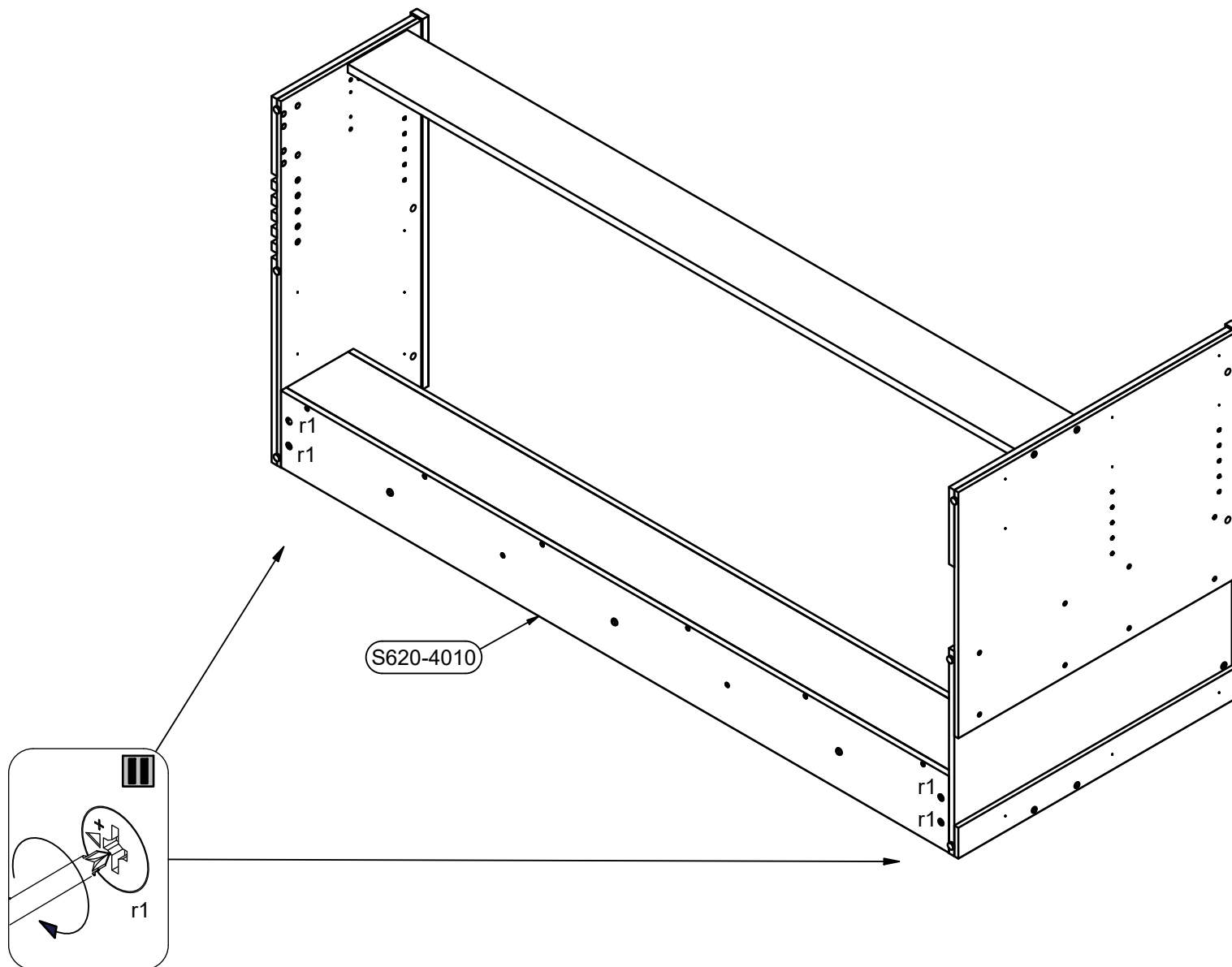


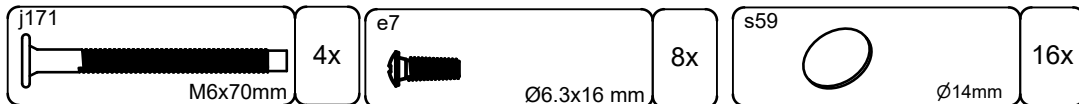
S620-5066

s59		Ø14mm	18x	j171		M6x70mm	4x	e7		Ø6.3x16 mm	8x
-----	--	-------	-----	------	--	---------	----	----	--	------------	----



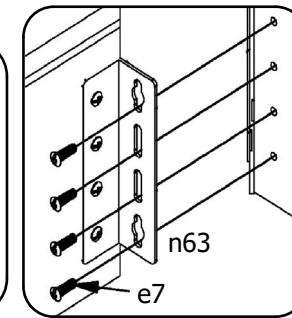
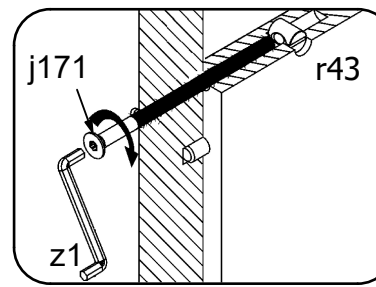
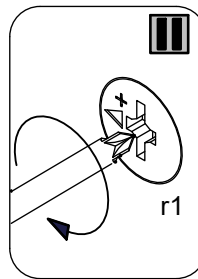
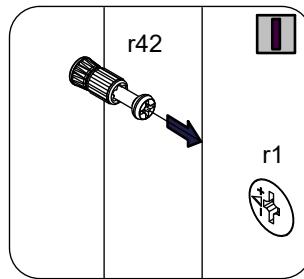
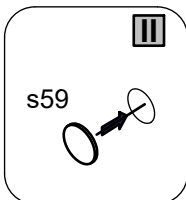
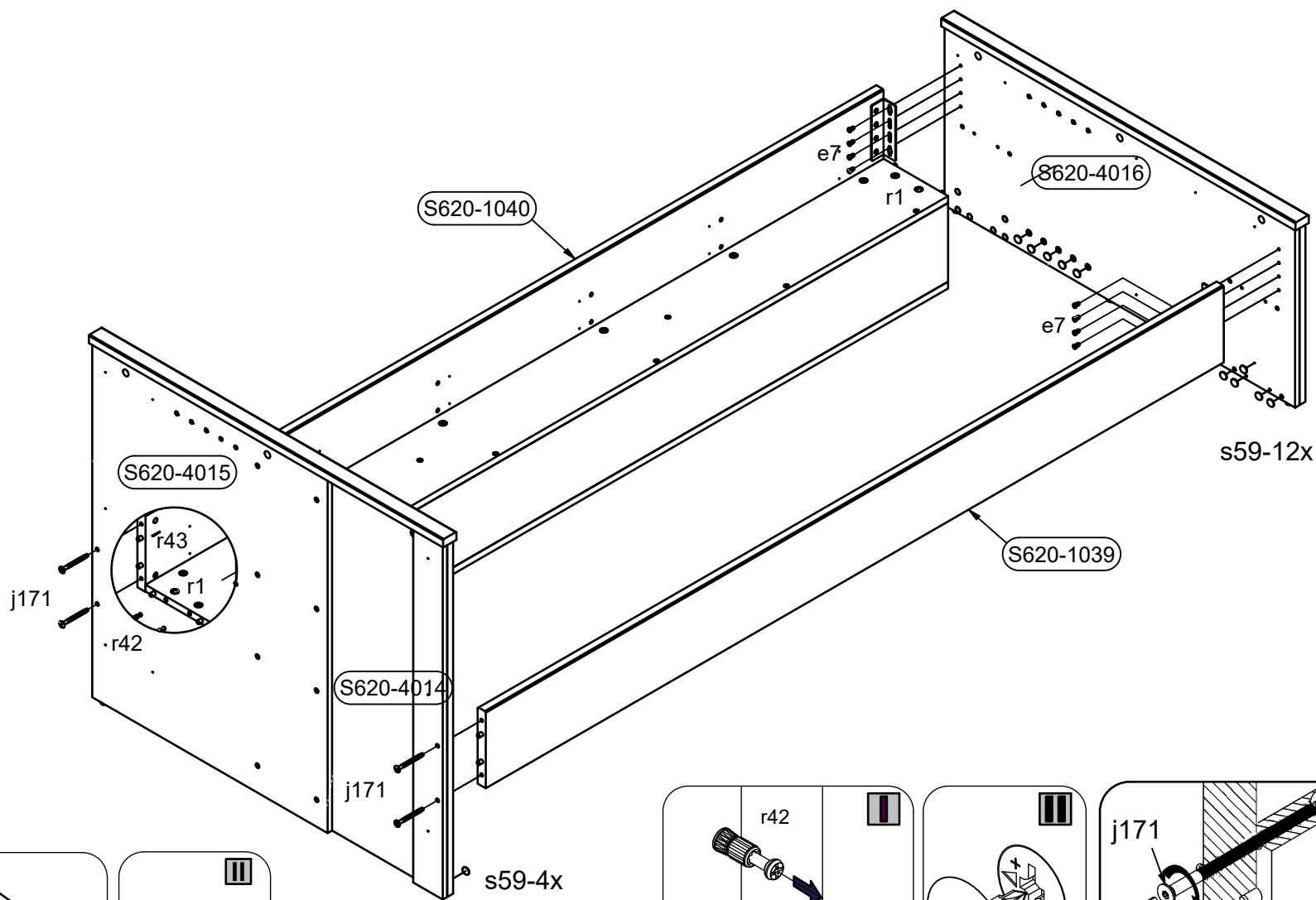
15
L



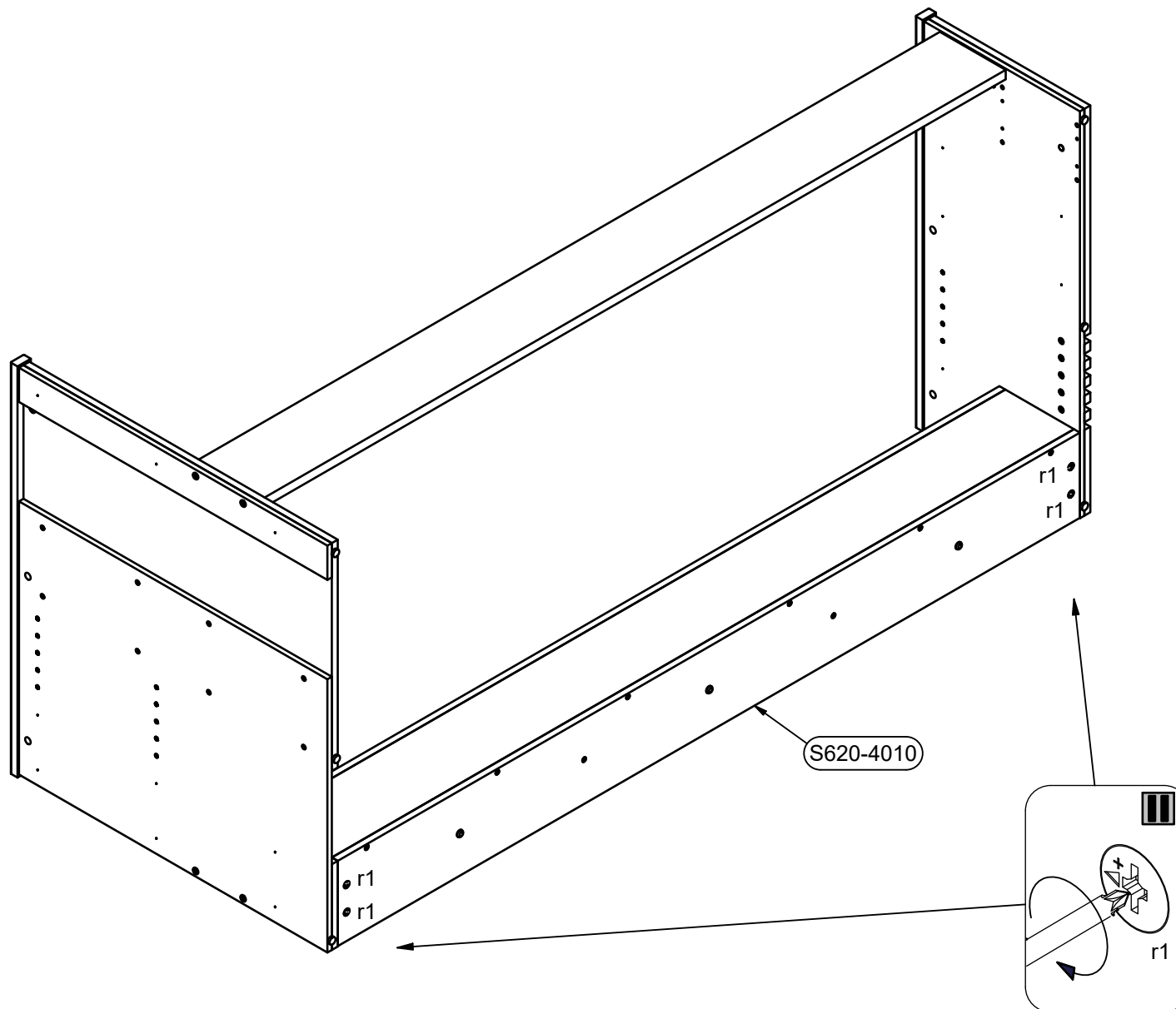


14

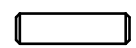
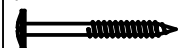
R

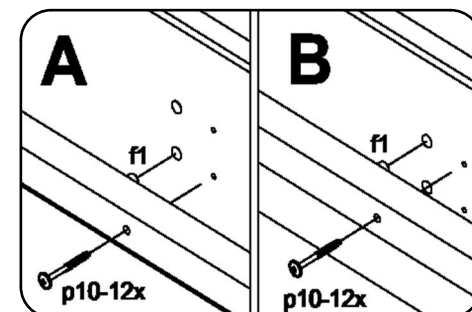
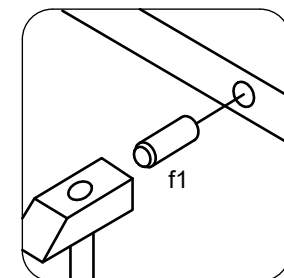
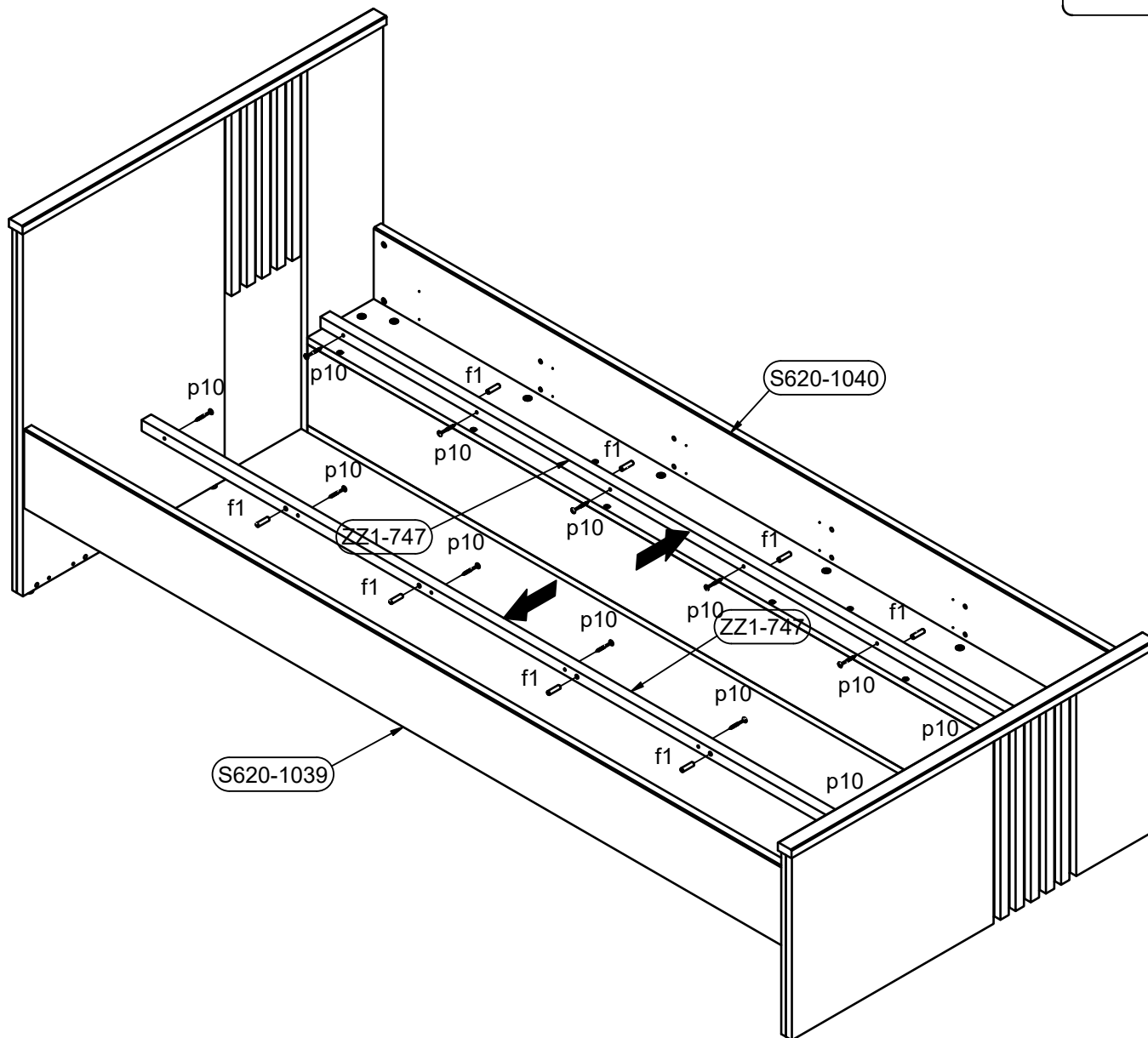


15
R

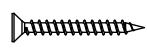


16

f1 	30mm	8x	p10 	12x	Ø4x40 mm
---	------	----	--	-----	----------



17

p6	6x
	Ø4x35 mm

