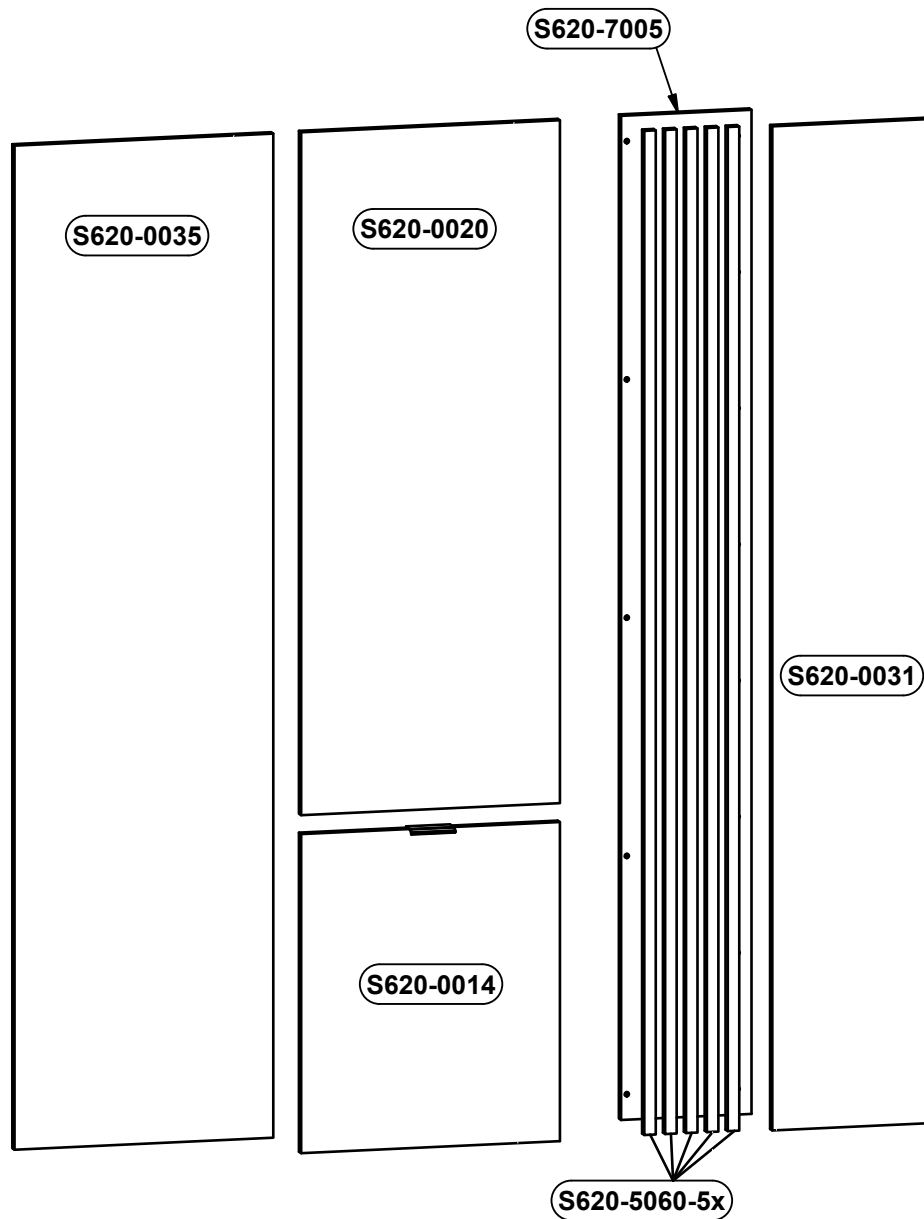
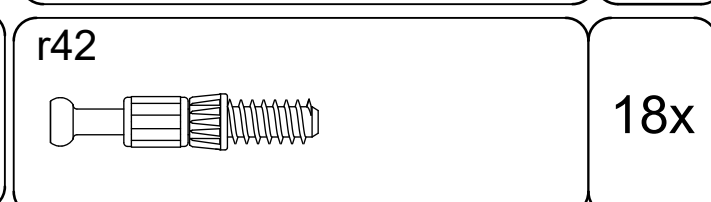
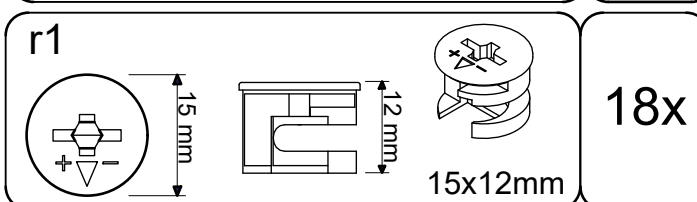
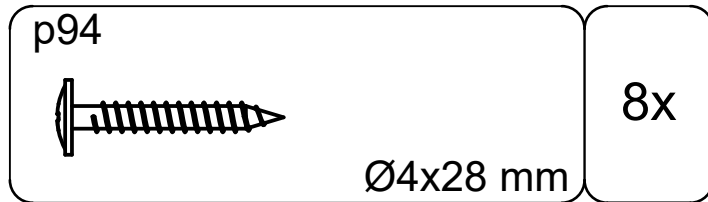
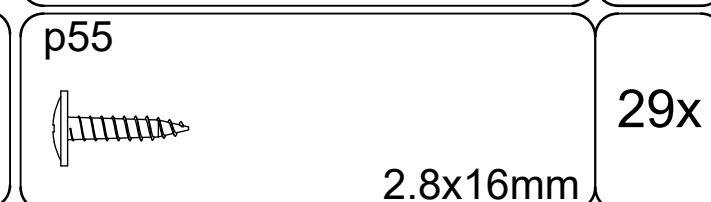
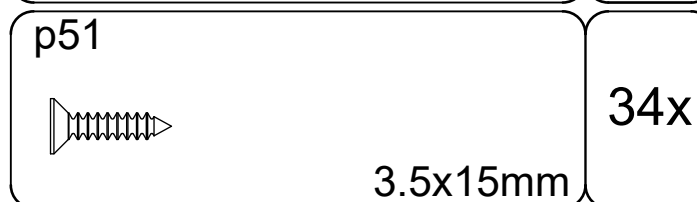
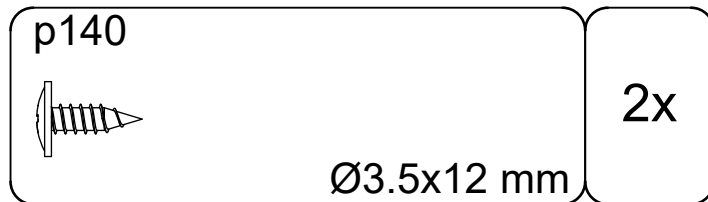
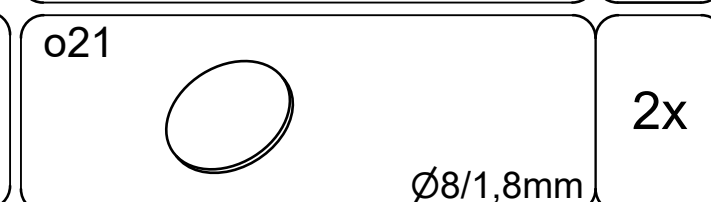
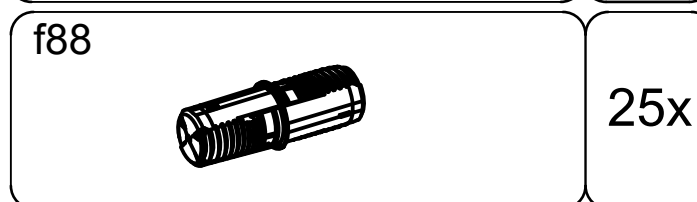
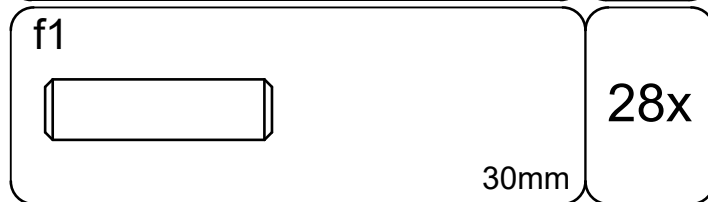
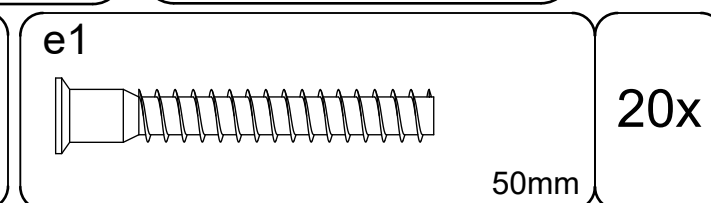
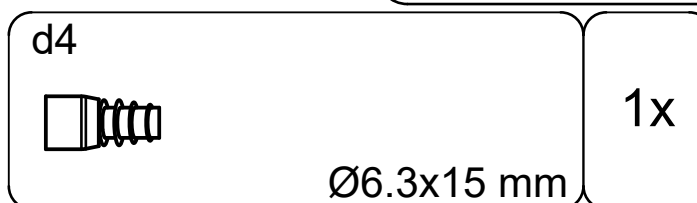
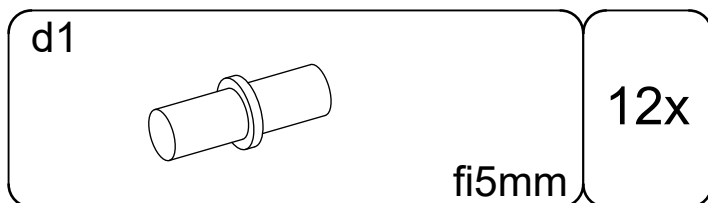
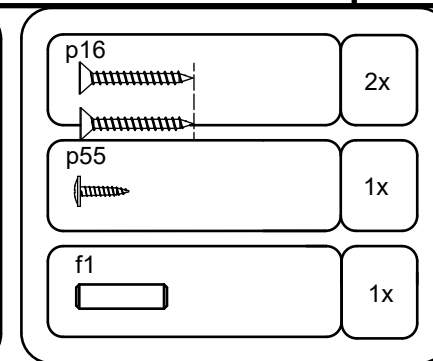
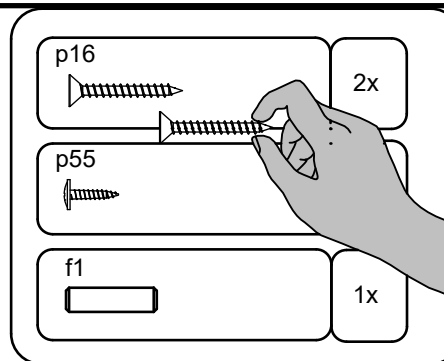


	B1	B2	C1	C2	C3	C4	D
dr-466	-	466	22	15	1	1	1/5
dr-478	-	478	22	15	1	1	1/5
S620-0014	-7	600	496	16	1	1	3/5
S620-0020	-7	1284	496	16	1	1	3/5
S620-0031	-6	1888	296	16	1	1	3/5
S620-0035	-1	1888	496	16	1	1	3/5
S620-1046	-	1896	540	16	1	1	2/5
S620-1047	-	1896	540	16	1	1	2/5
S620-1048	-	1896	520	16	1	1	4/5
S620-1049	-	1896	520	16	1	1	4/5
S620-2027	-	1501	558	18	1	1	5/5
S620-2028	-	1501	558	18	1	1	5/5
S620-3024	-4	486	504	16	1	1	1/5
S620-3033	-	474	516	16	1	1	1/5
S620-3034	-	474	504	16	1	1	1/5
S620-3035	-	473	504	16	3	1	1/5
S620-5060	-9	1888	22	16	5	1	3/5
S620-7005	-9	1888	250	16	1	1	3/5
S620-9012	-	1906	490	2,5	1	1	4/5
S620-9014	-	1906	498	2,5	1	1	4/5
S620-9013	-	1906	487	2,5	1	1	4/5



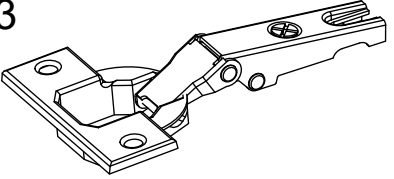
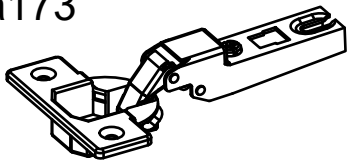
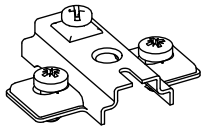
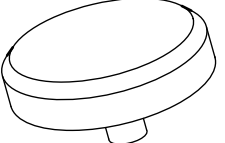
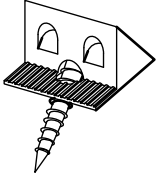
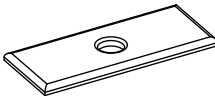
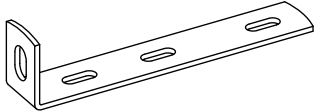
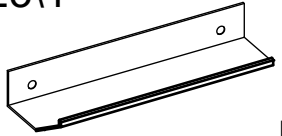
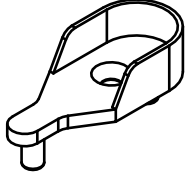
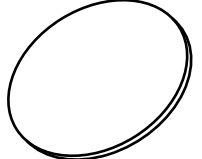
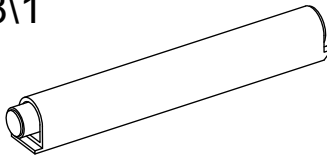
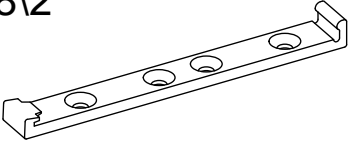
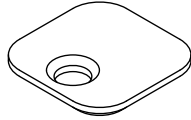
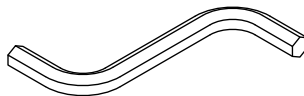



**1:1**



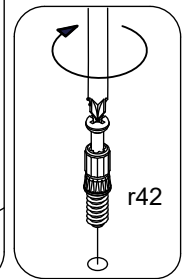
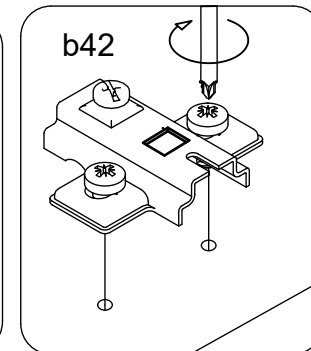
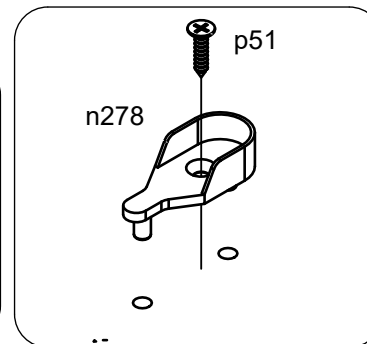
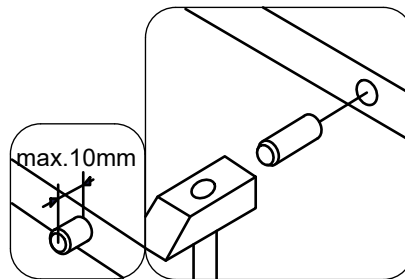
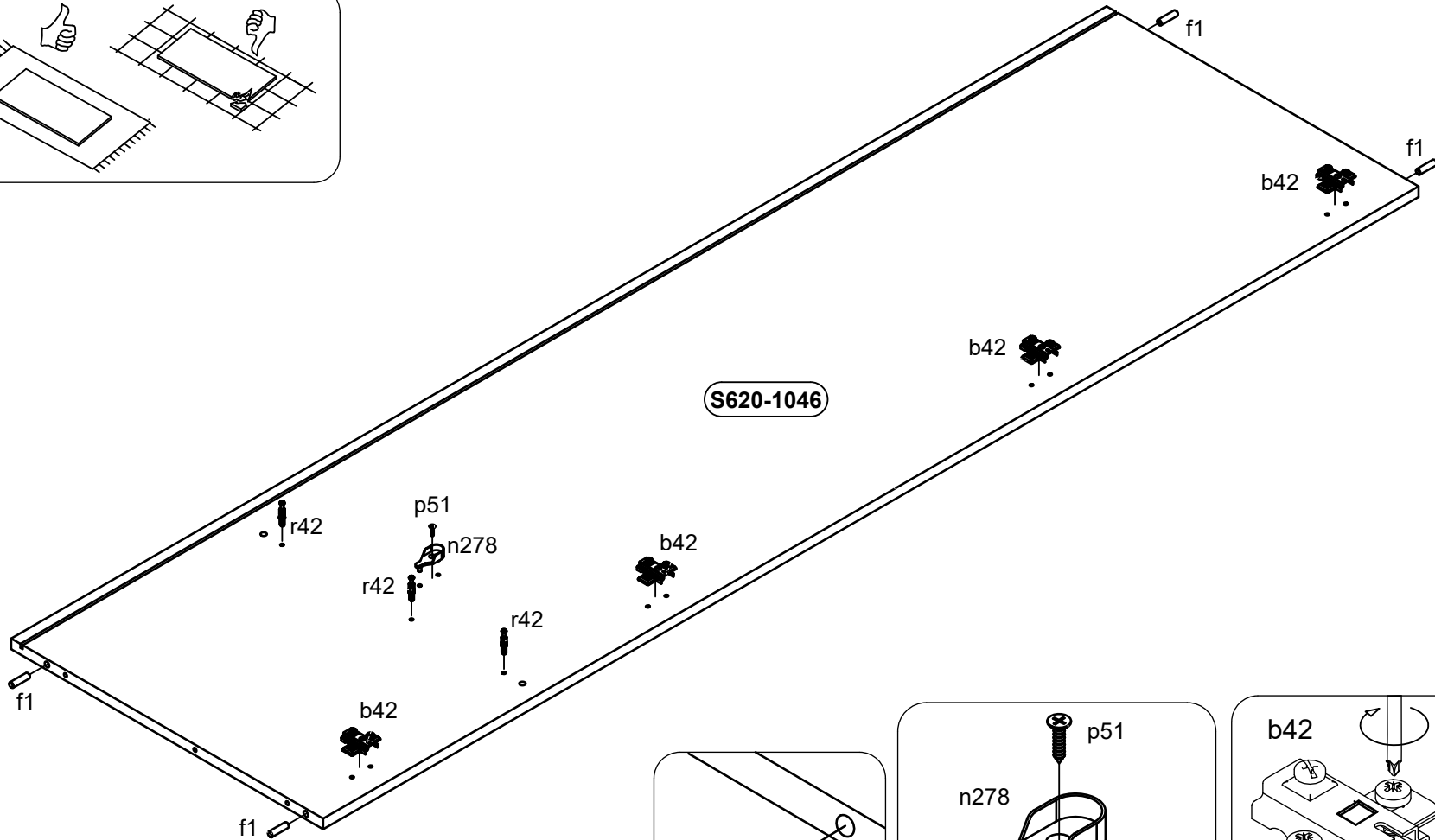
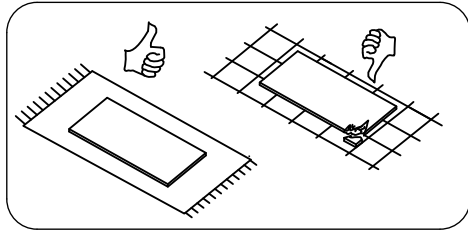
**A****S620/S657-SZF4D**~~1:1~~

7 / 28

<p>a83</p> 	8x	<p>a173</p> 	5x	<p>b42</p> 	13x
<p>k27</p>  <p>fi48x19mm</p>	6x	<p>l2</p> 	16x	<p>n108</p> 	20x
<p>n14\2</p> 	2x	<p>c623\1</p>  <p>L84/64mm</p>	1x	<p>n278</p> 	4x
<p>s68</p>  <p>Ø20mm</p>	12x	<p>z28\1</p> 	2x	<p>z28\2</p> 	2x
<p>z28\3</p> 	2x	<p>z1</p>  <p> 3mm</p>	1x		

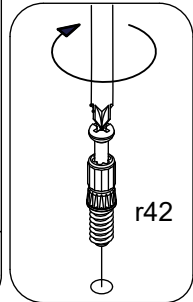
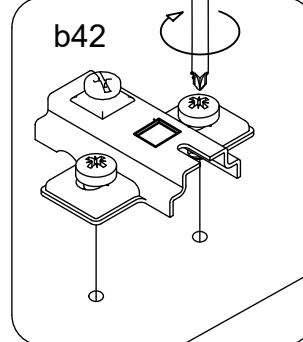
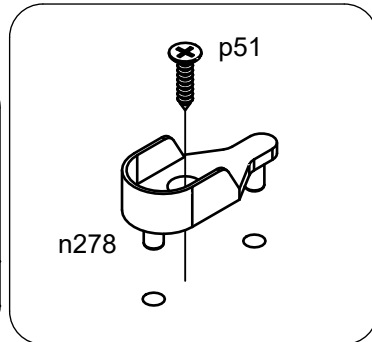
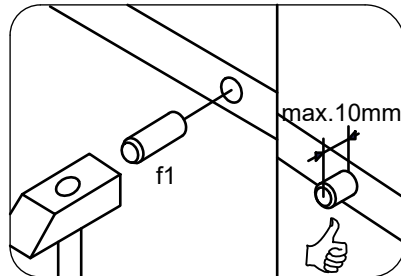
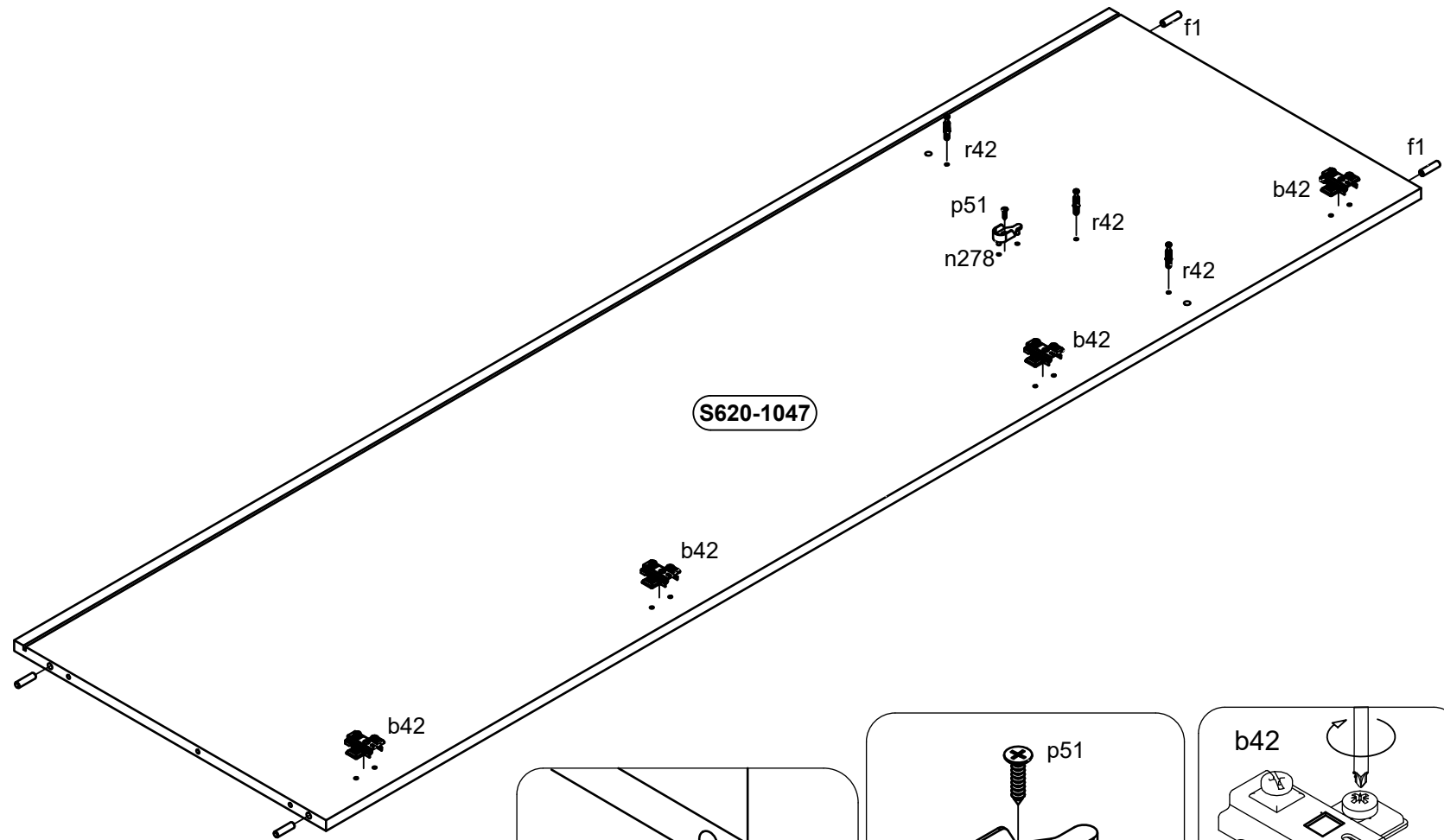


p51  3.5x15mm	1x	r42 	3x	f1  30mm	4x	b42 	4x	n278 	1x
---------------------	----	---------	----	----------------	----	---------	----	----------	----




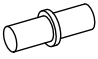
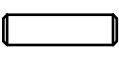

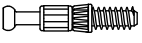
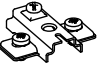

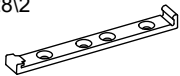
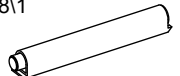
2

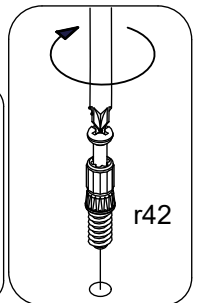
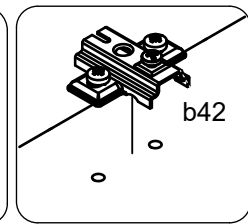
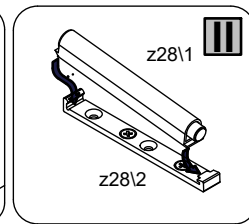
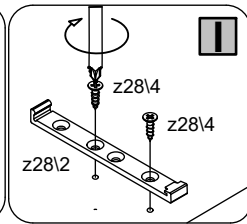
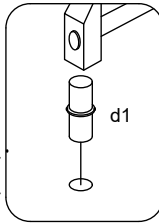
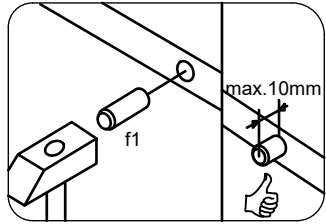
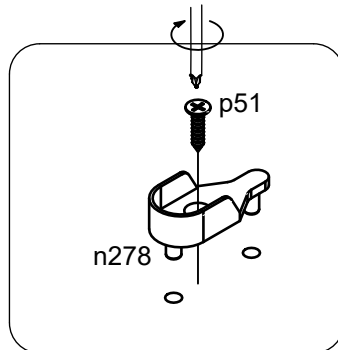
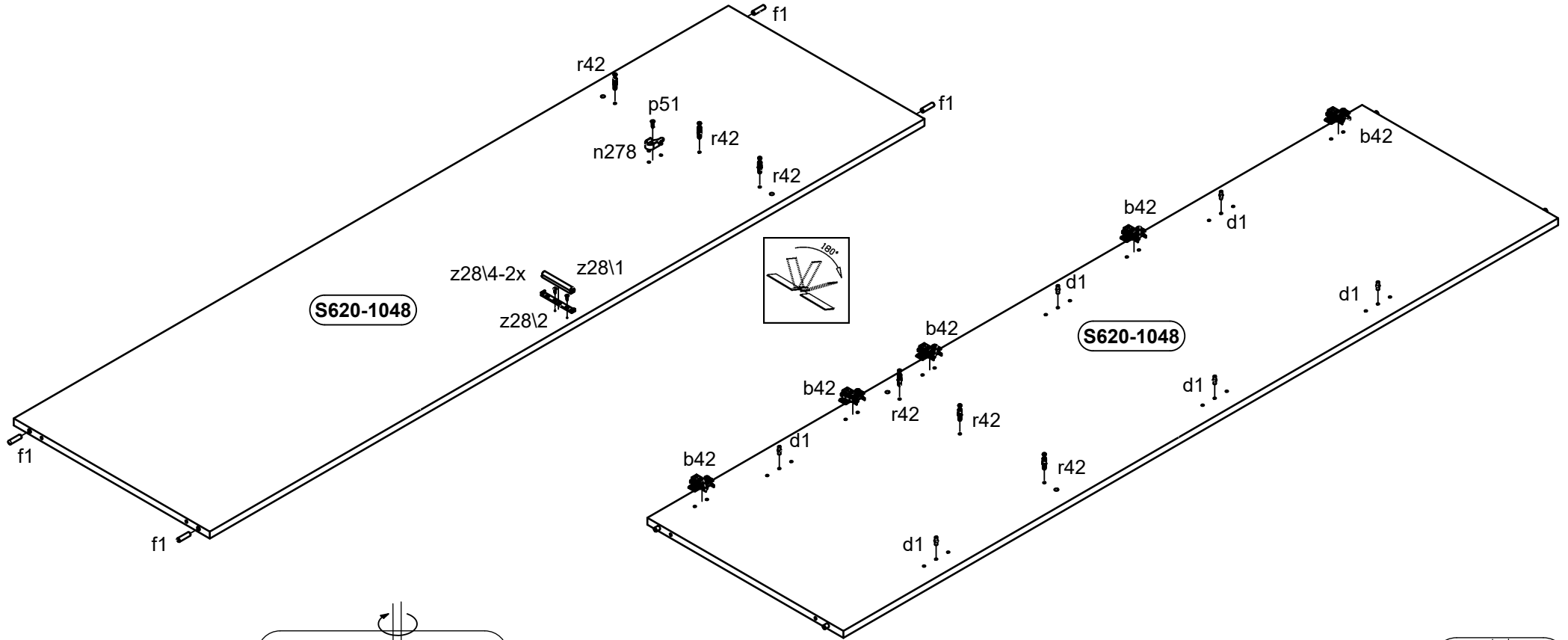
<p>p51            3.5x15mm</p>	<p>1x</p>	<p>r42  </p>	<p>3x</p>	<p>f1            30mm</p>	<p>4x</p>	<p>b42  </p>	<p>4x</p>	<p>n278  </p>	<p>1x</p>
---	-----------	---	-----------	--	-----------	---	-----------	--	-----------



3


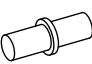
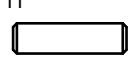
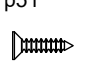
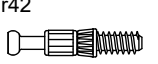
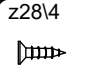
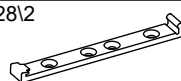



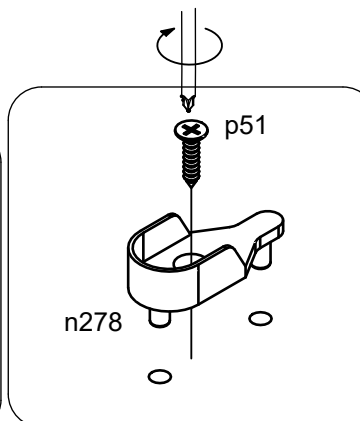
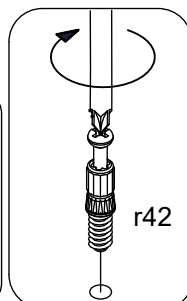
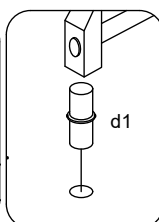
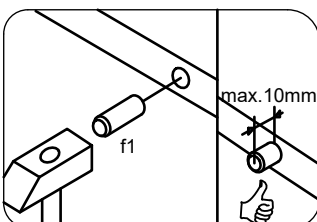
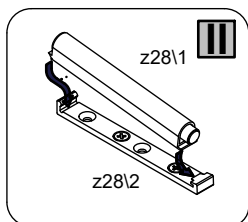
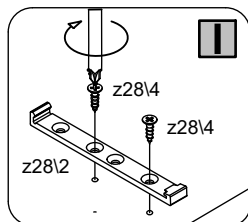
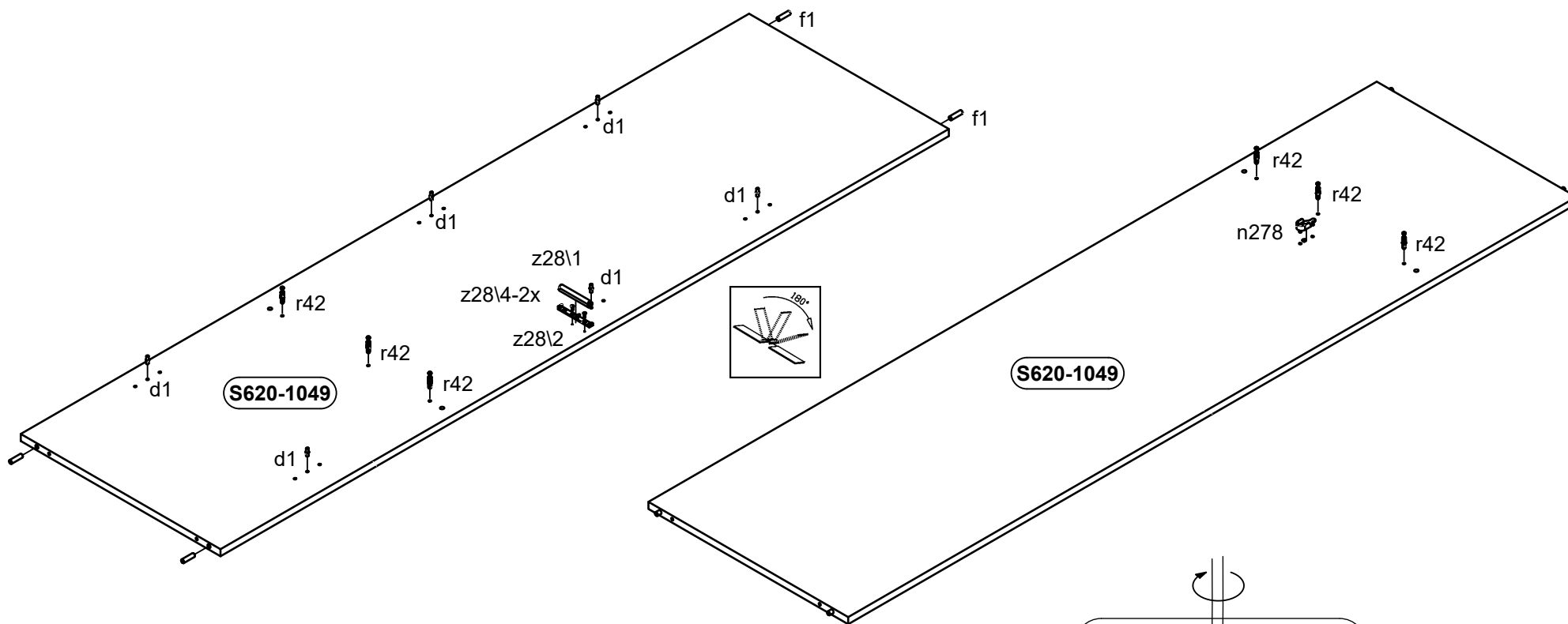
n278 	1x	d1 	6x	f1 	4x	p51 	1x	r42 	6x
b42 	5x	fi5mm	z28\4 	2x	z28\2 	1x	z28\1 	1x	
			3x12mm						




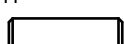
4



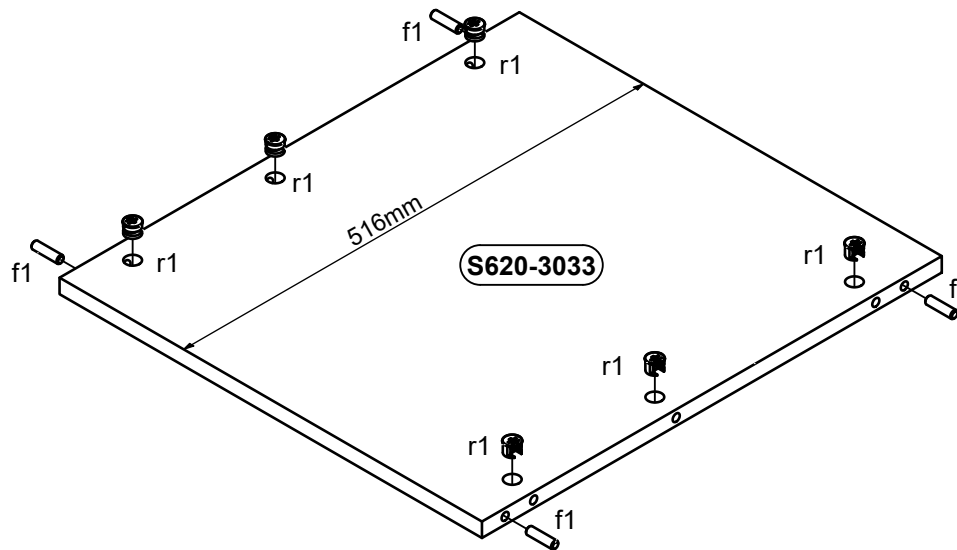
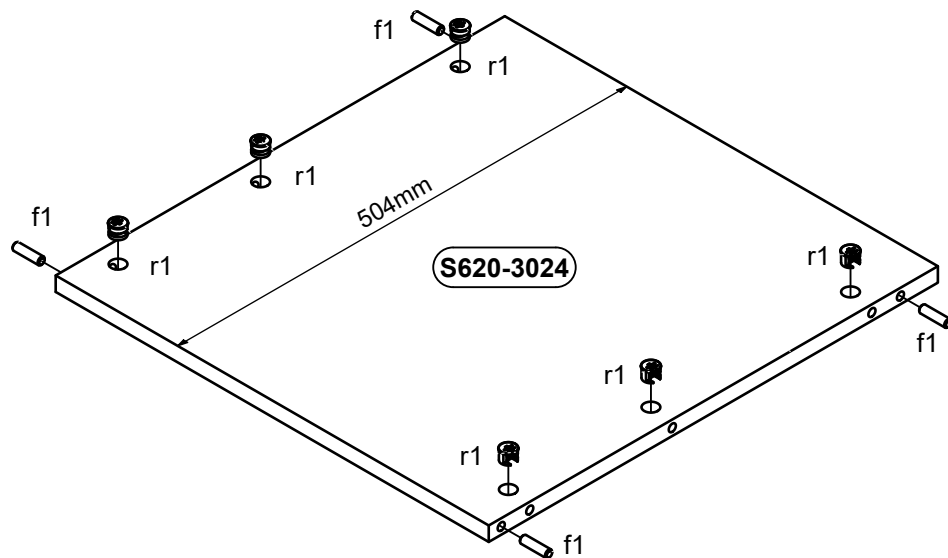
n278 	1x	d1 	6x	f1 	4x	p51 	1x	r42 	6x
		fi5mm		30mm		3.5x15mm			
				z28\4 	2x	z28\2 	1x	z28\1 	1x
				3x12mm					

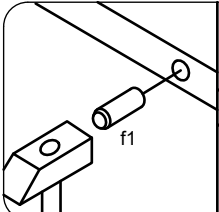
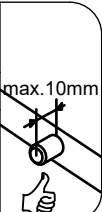
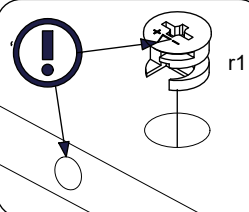


# 5

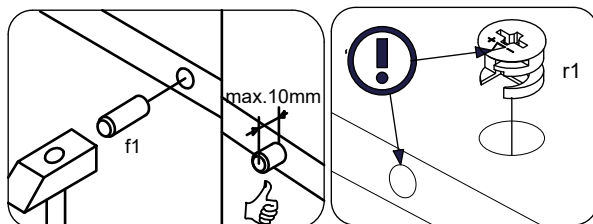
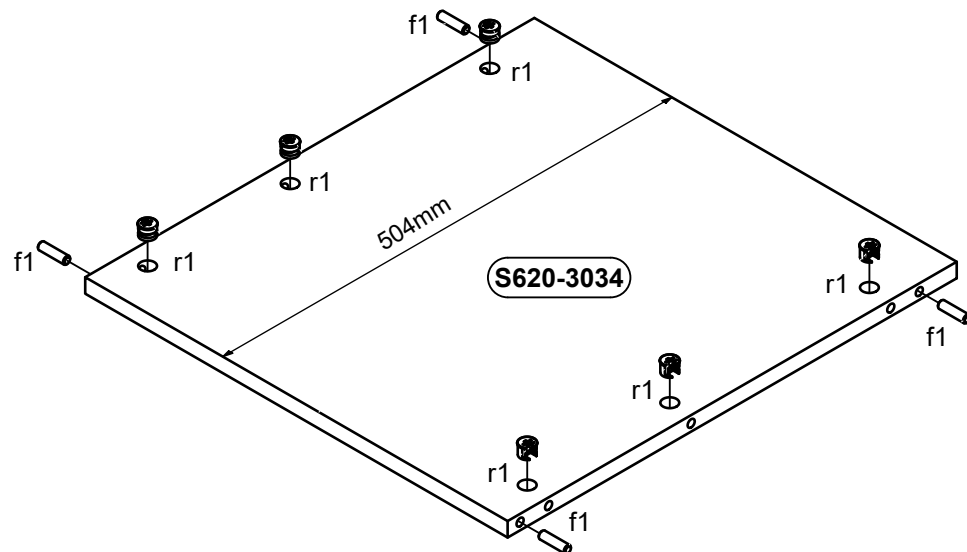
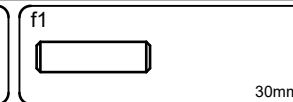
r1		15x12mm	12x	f1		30mm	8x
----	---	---------	-----	----	---	------	----

# 6





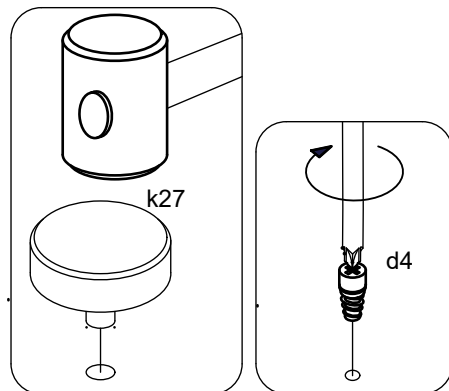
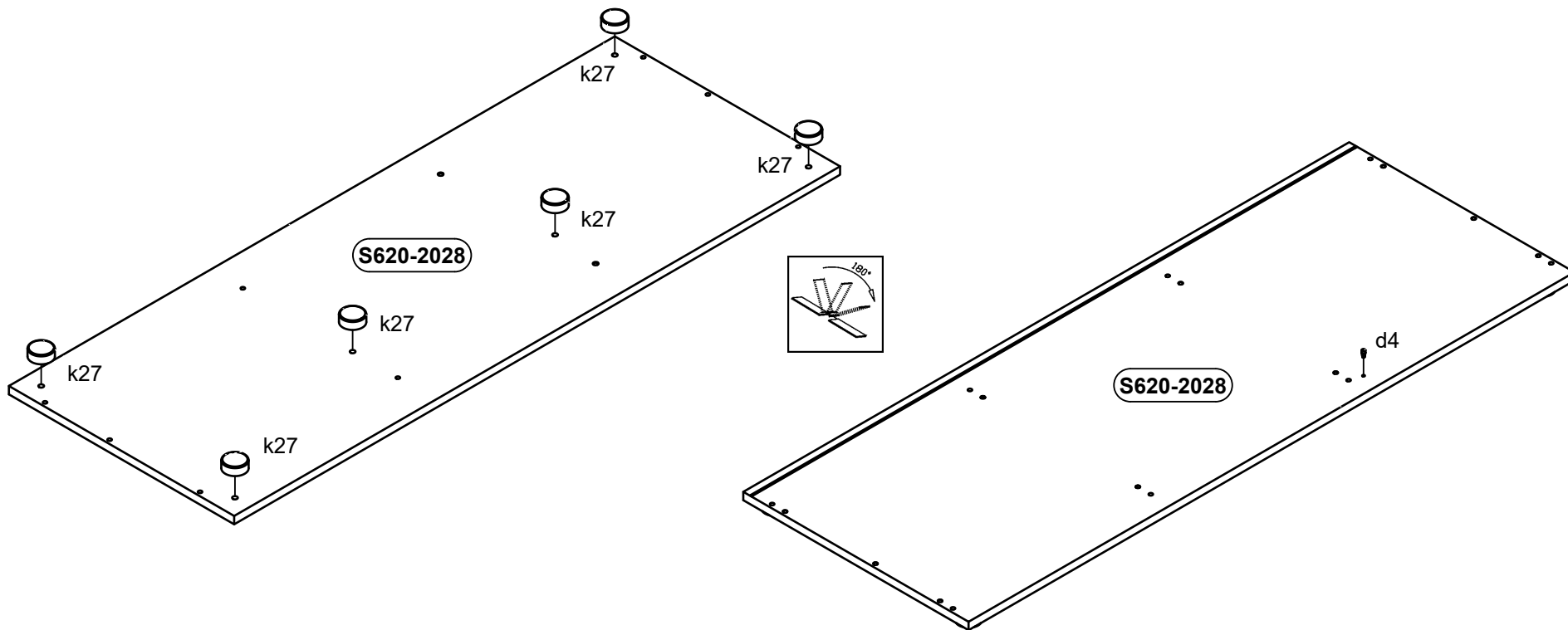
		
---	---	---

7

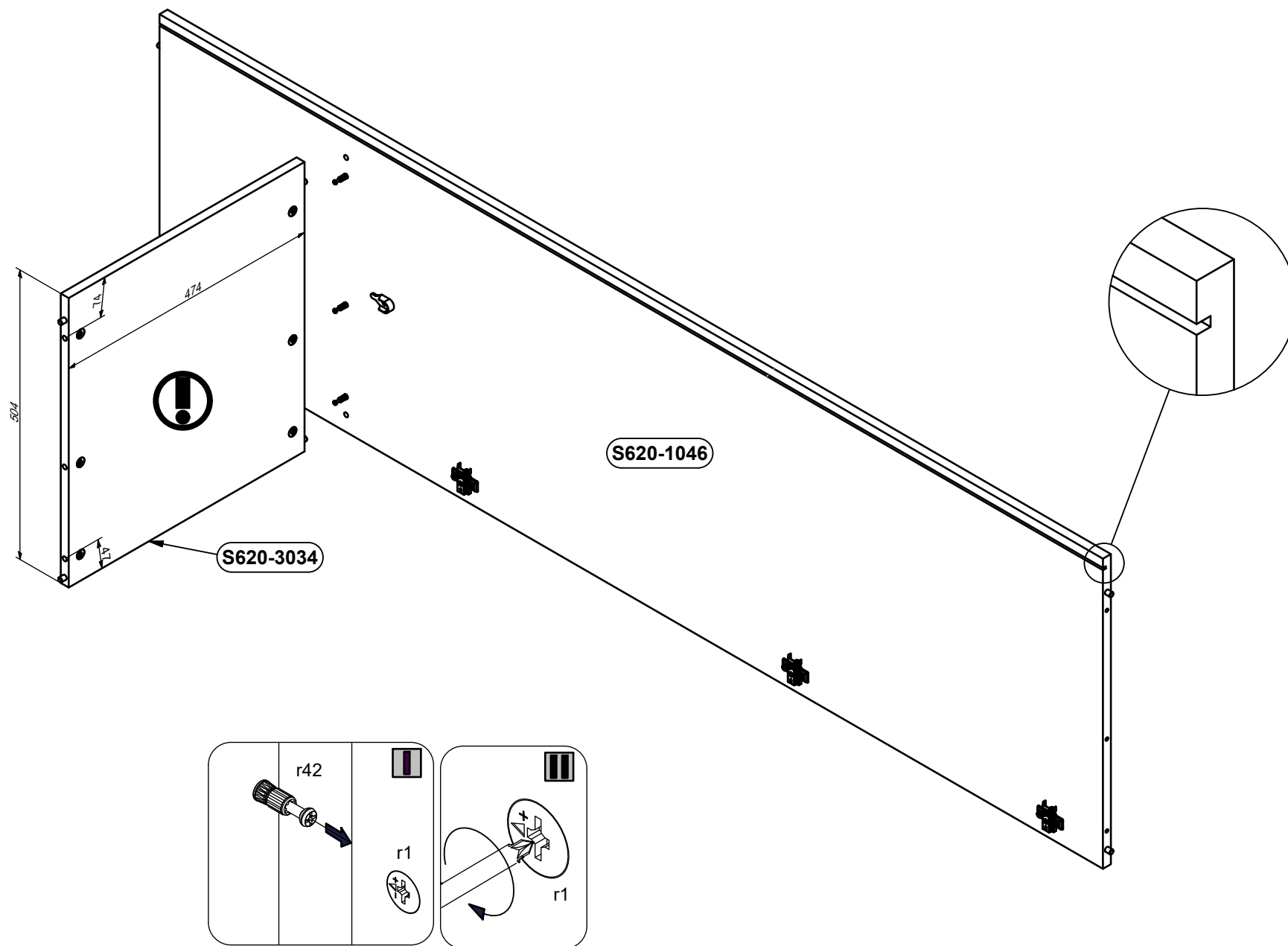


8

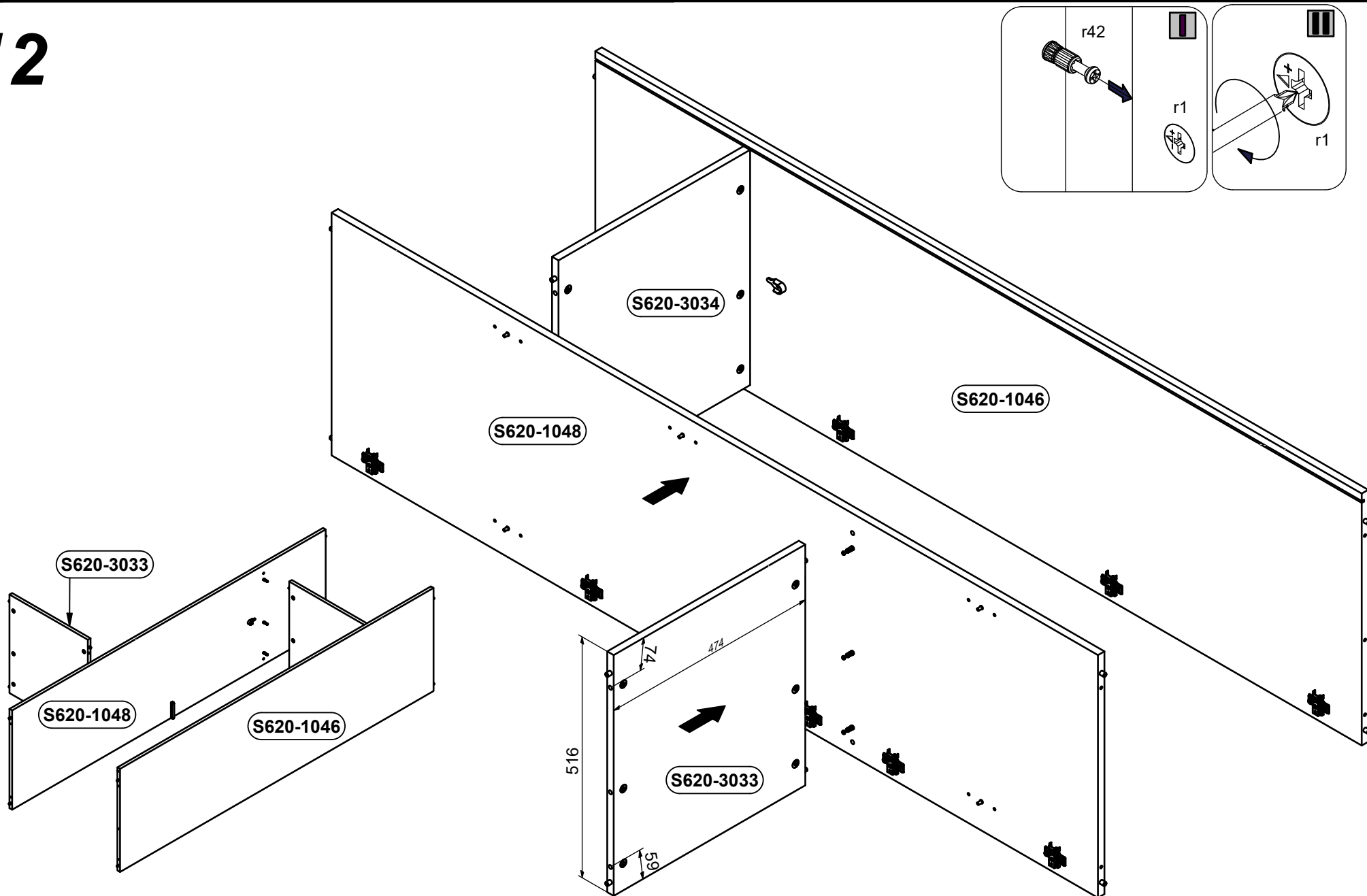
k27  fi48x19mm	6x	d4  Ø6.3x15 mm	1x
---	----	---	----



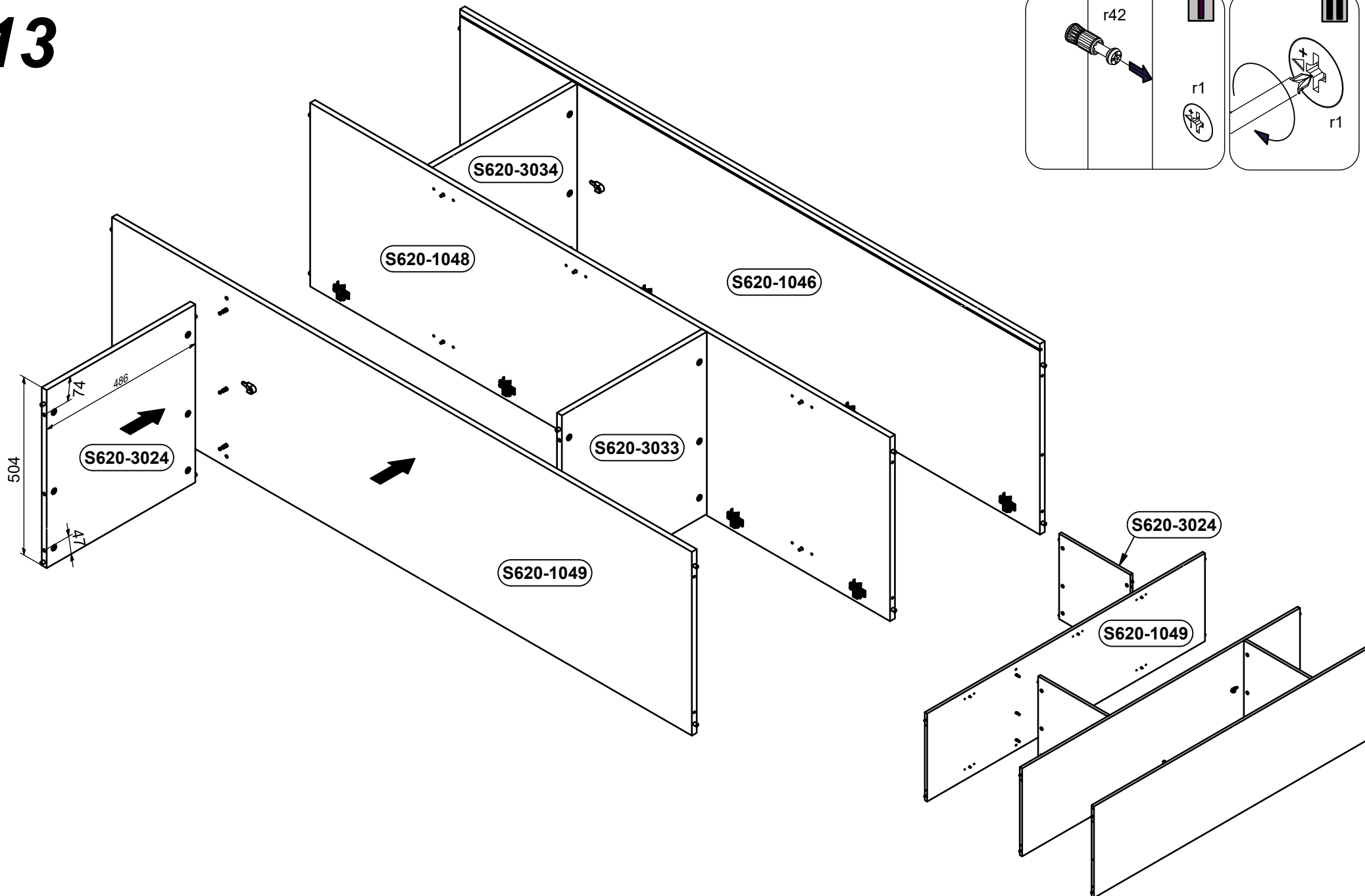
# 11



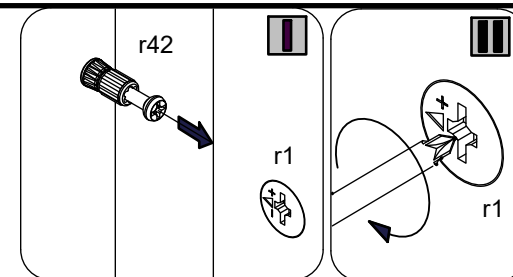
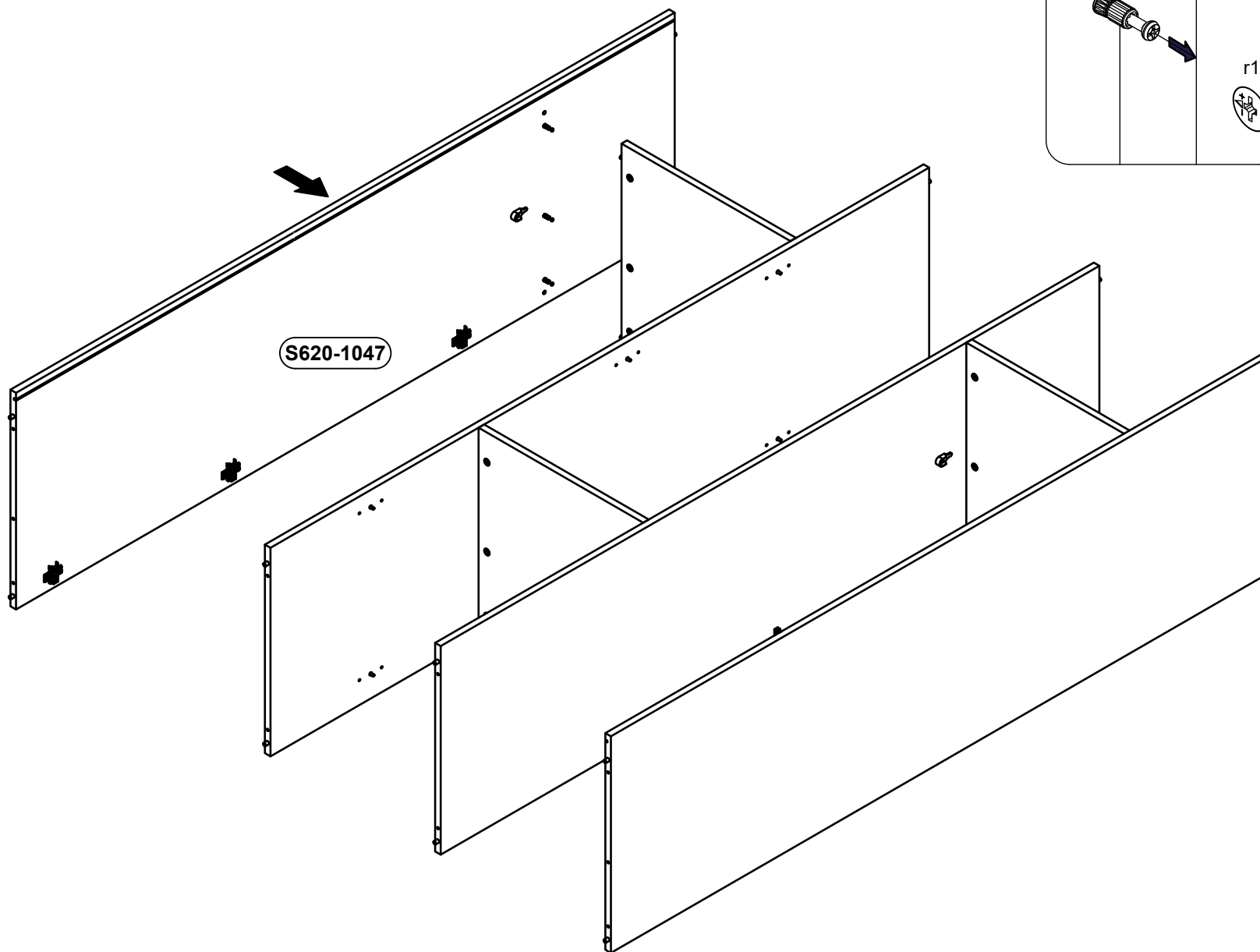
12



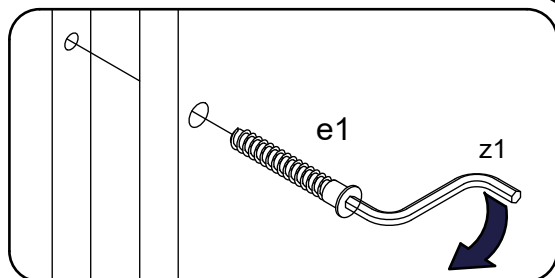
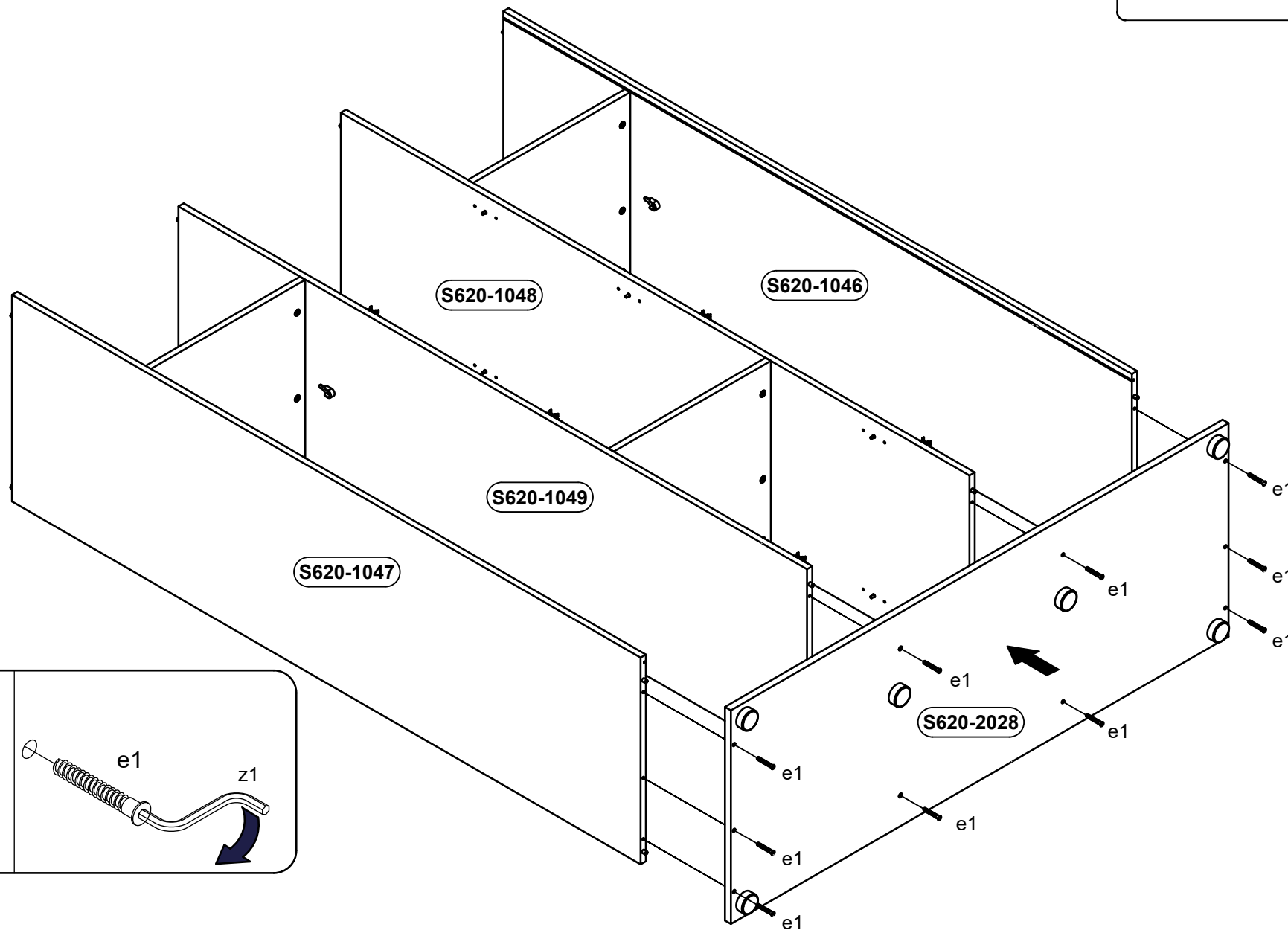
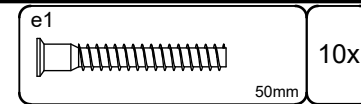
13



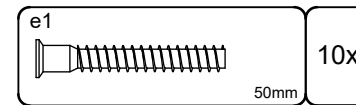
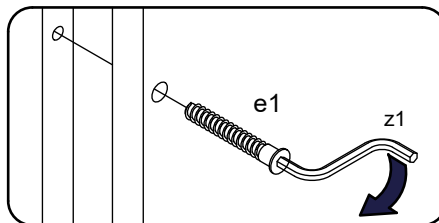
14



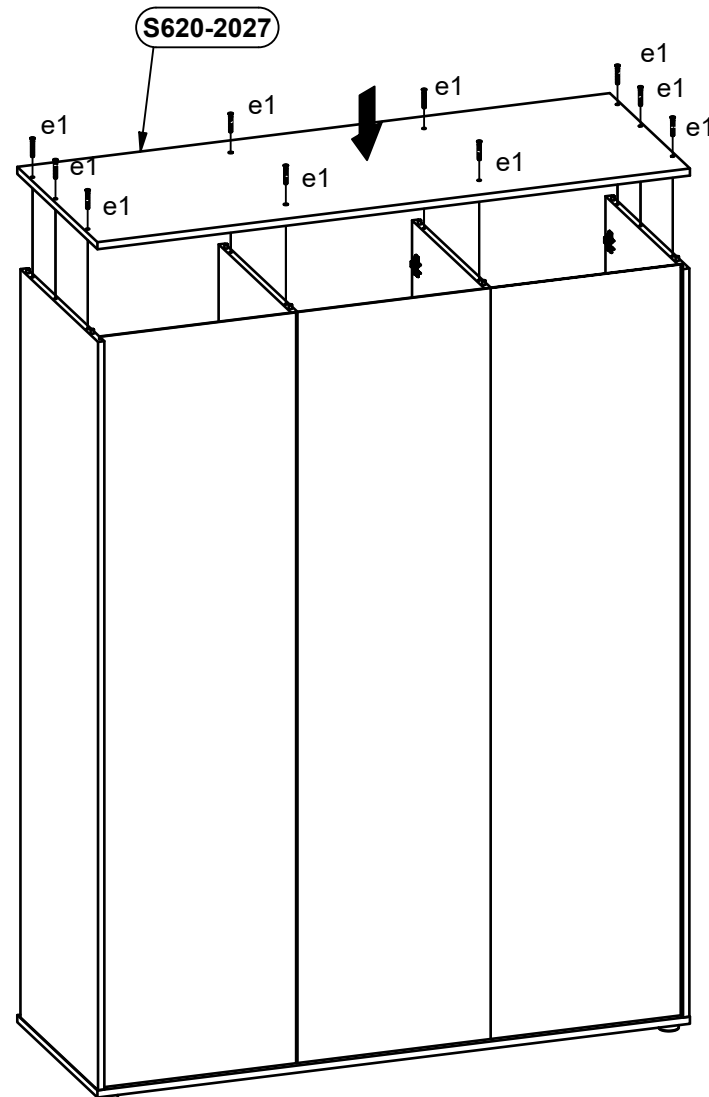
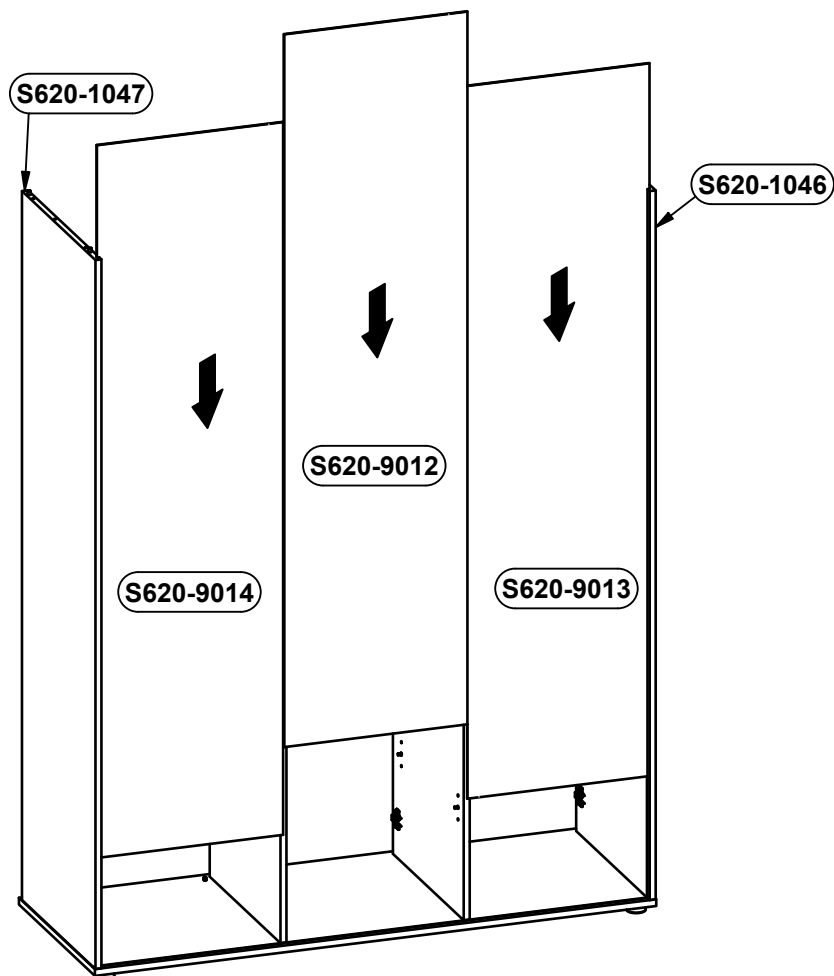
15

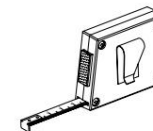
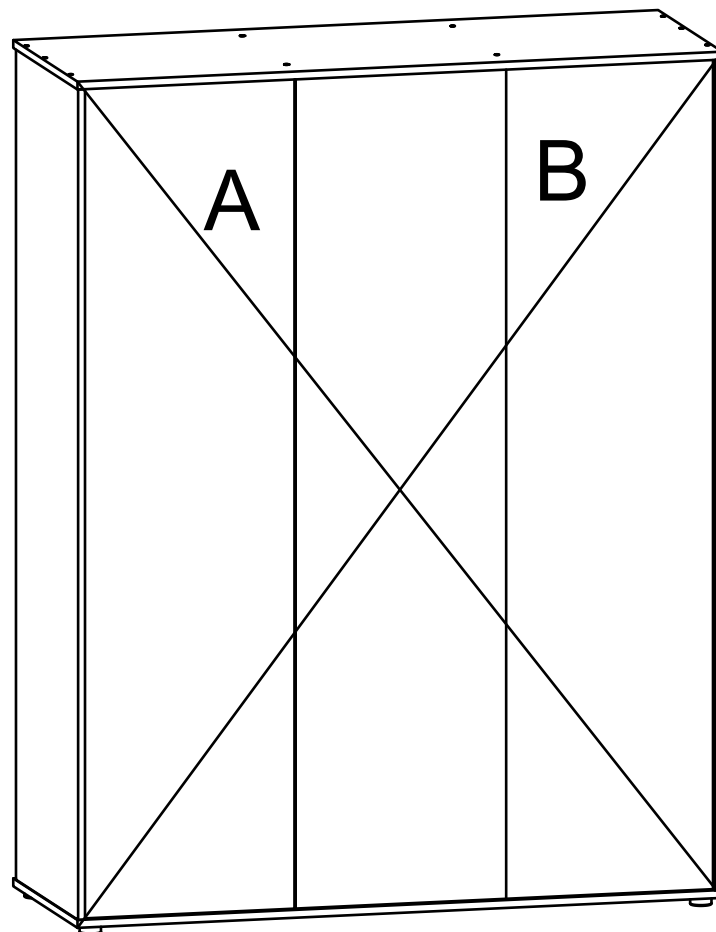


15



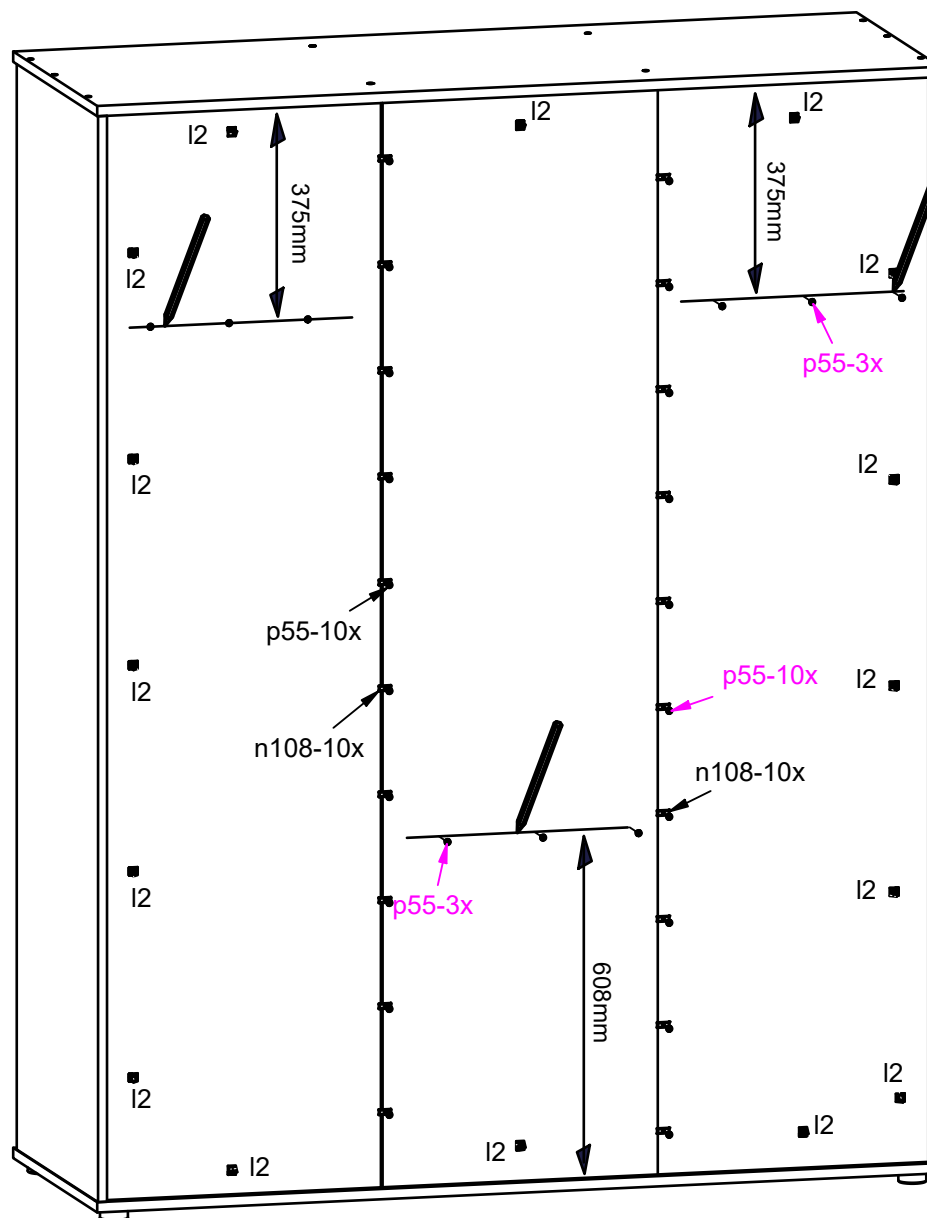
16



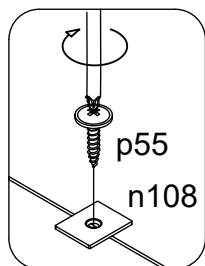
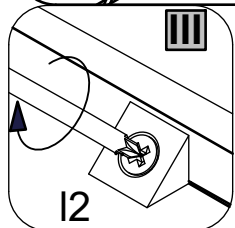
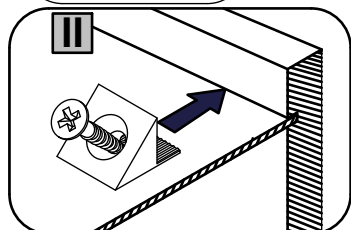
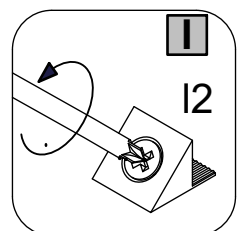
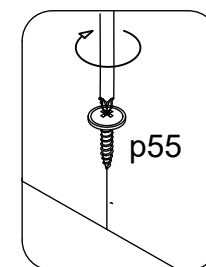
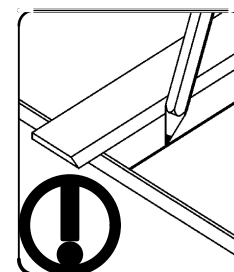


**A=B**

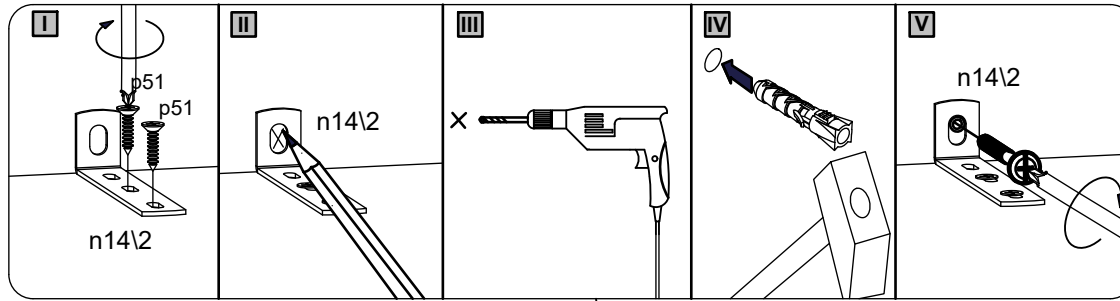
# 19



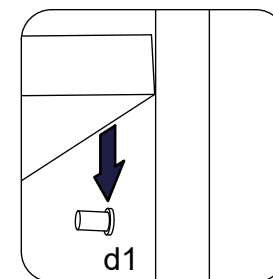
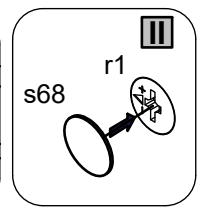
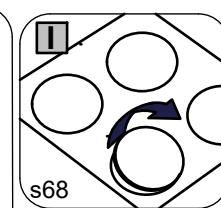
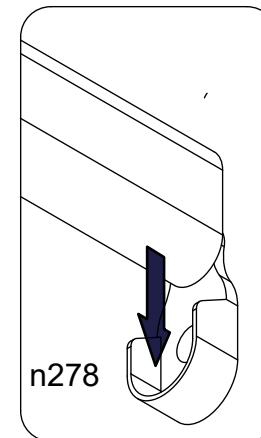
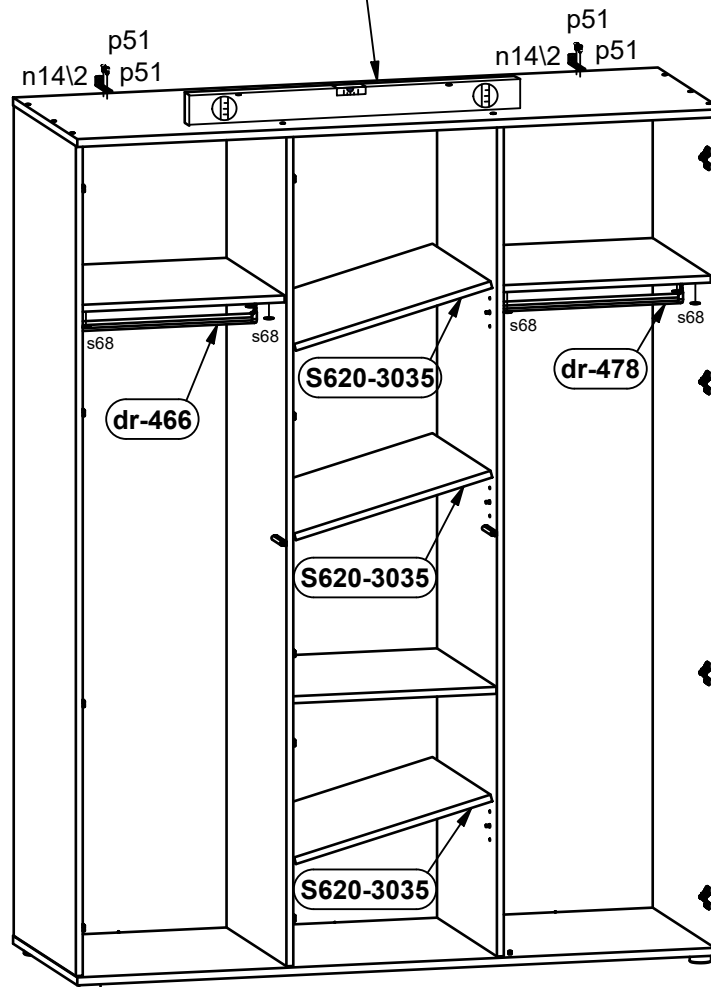
n108		20x
p55		29x 2.8x16mm
I2		16x



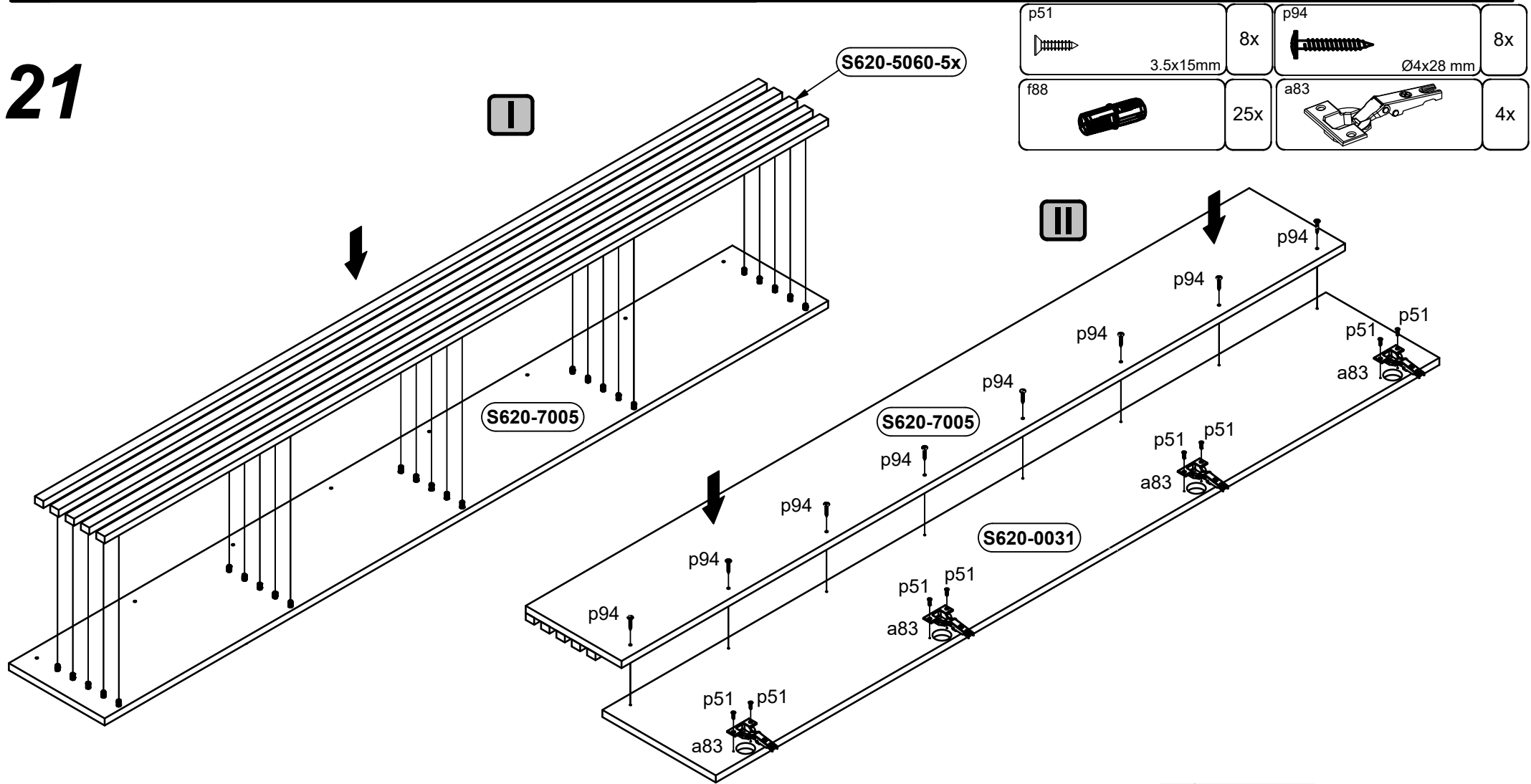
20




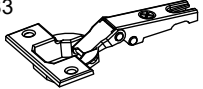


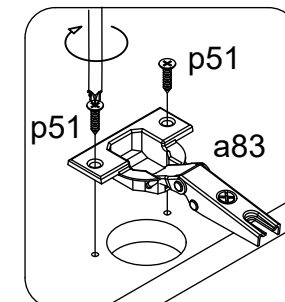
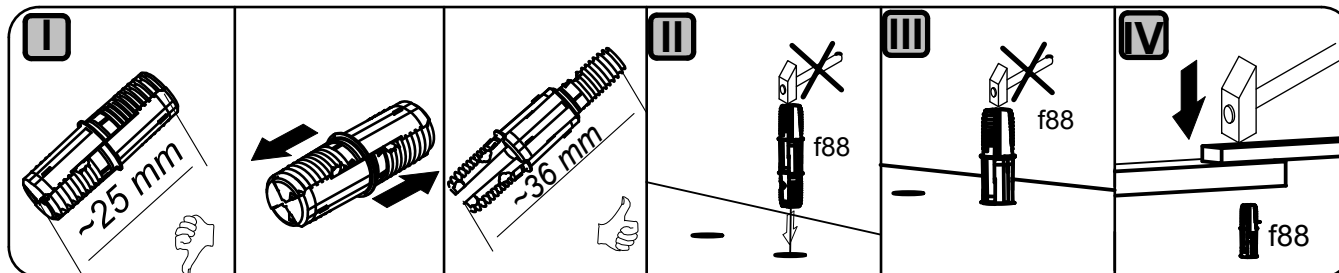
s68		12x
n14\2		2x
p51		4x
		3.5x15mm



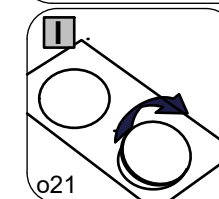
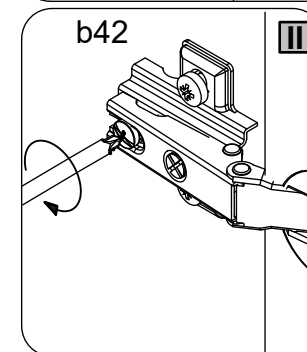
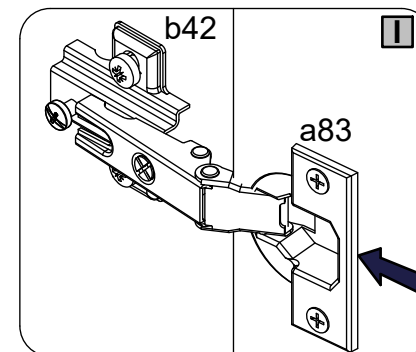
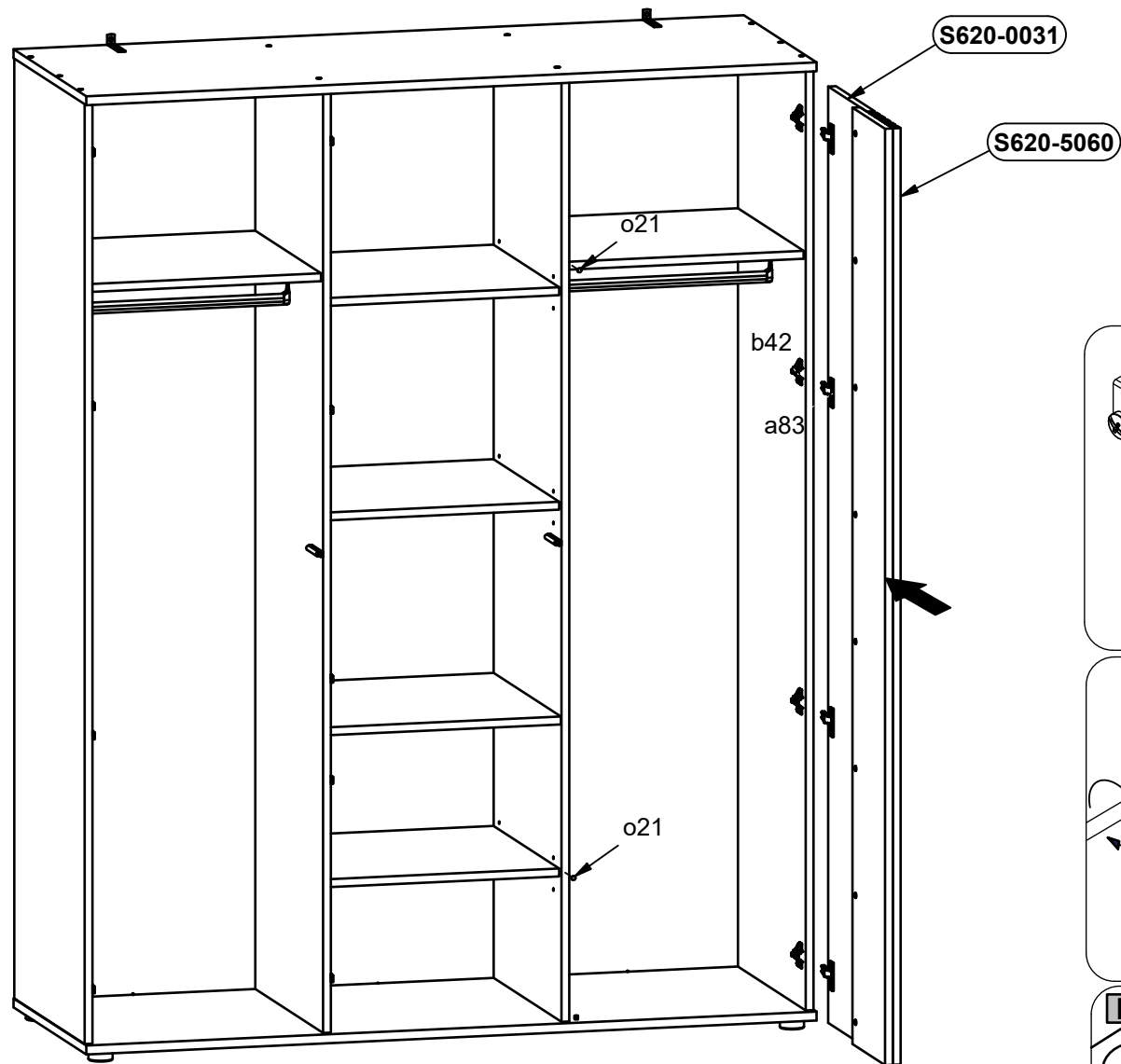
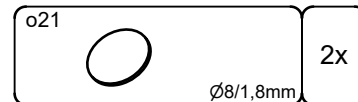
# 21




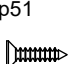
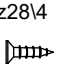

p51  3.5x15mm 8x	p94  Ø4x28 mm 8x
f88  25x	a83  4x

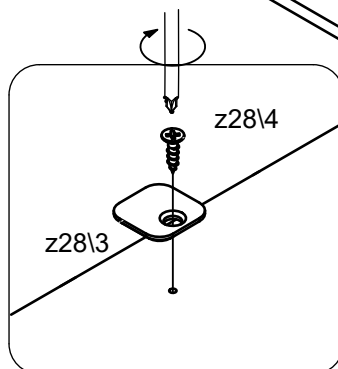
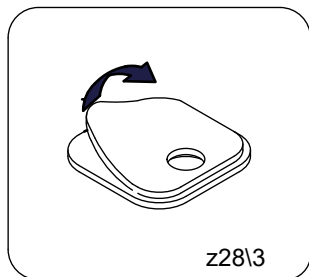
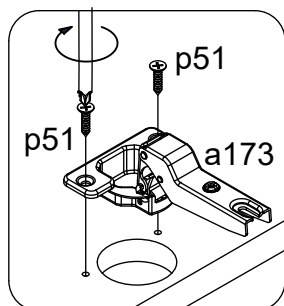
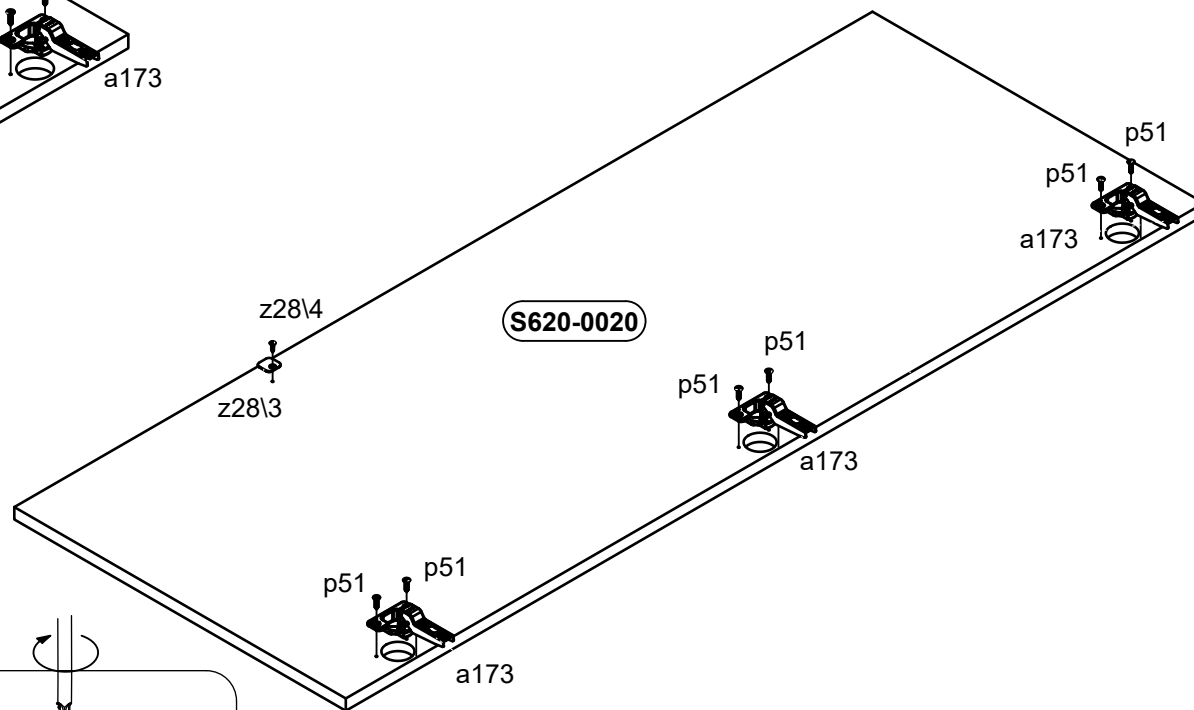
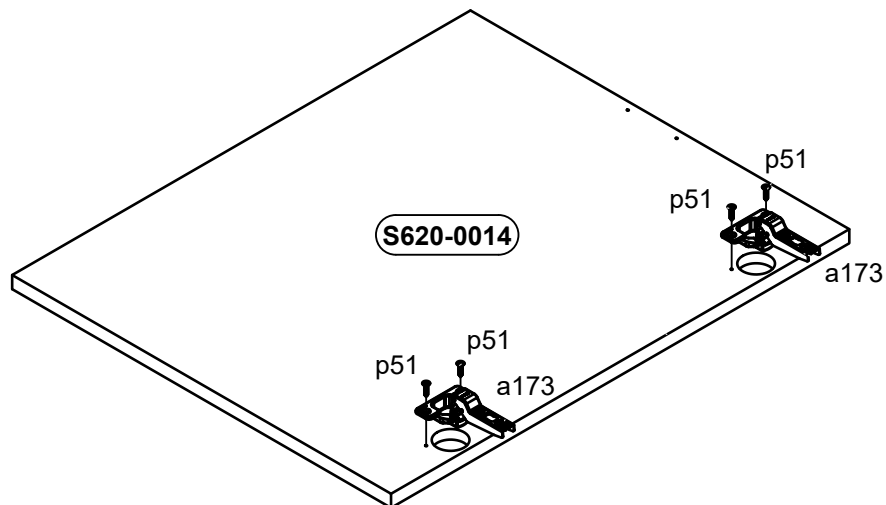


22

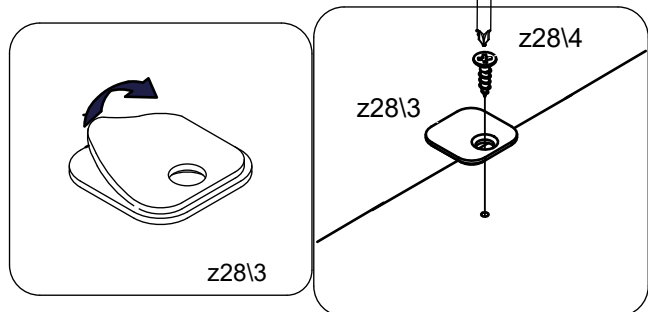


# 23

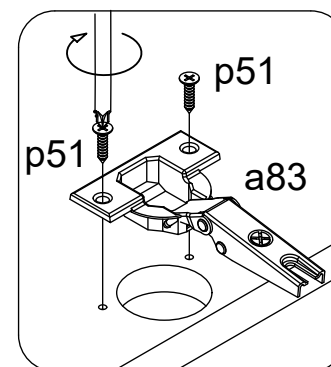
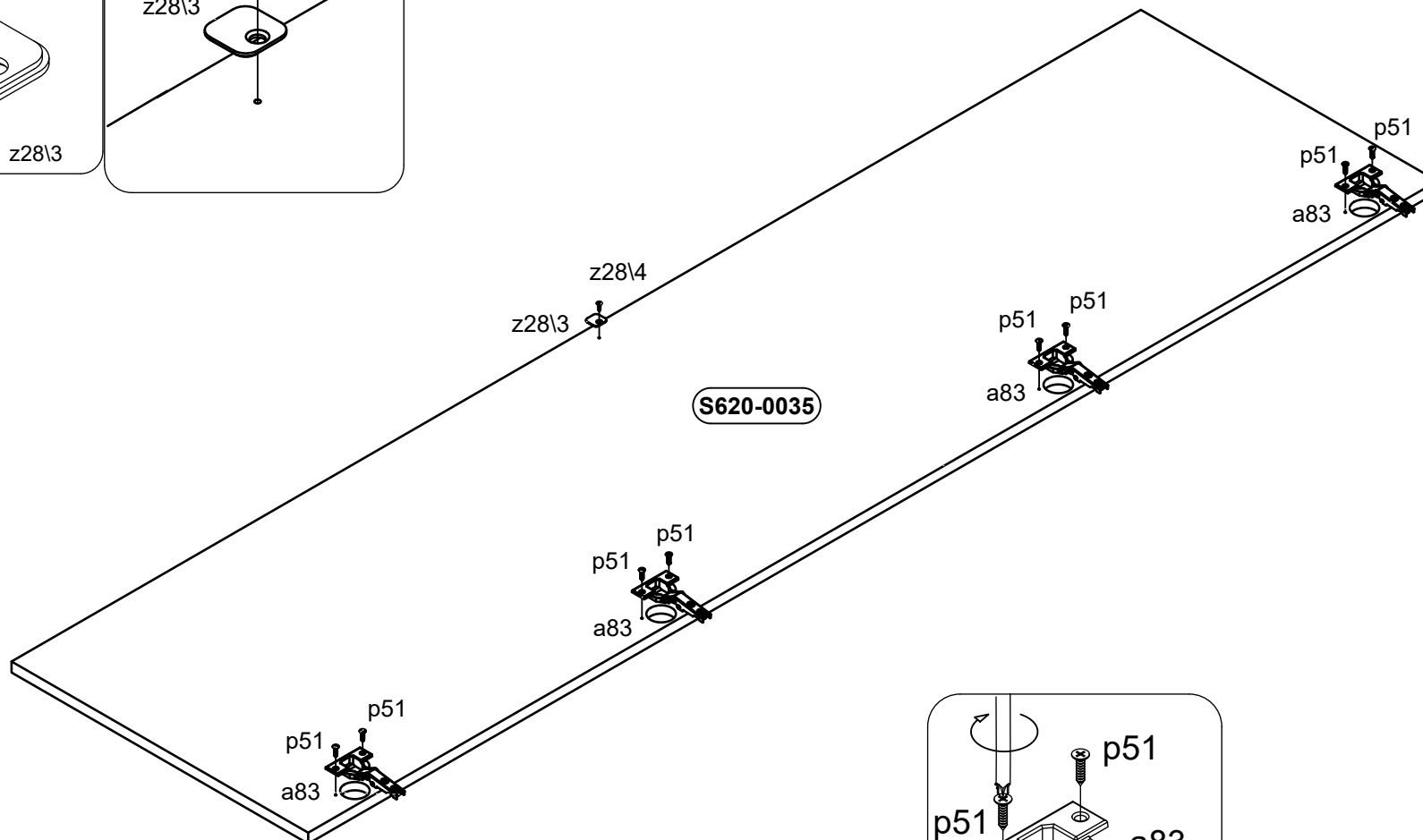
 <p>a173</p>	<p>5x</p>	 <p>p51</p> <p>3.5x15mm</p>	<p>10x</p>	 <p>z28\4</p> <p>3x12mm</p>	<p>1x</p>
 <p>z28\3</p>				<p>1x</p>	



# 24



a83	4x	p51	8x	z28\4	1x
			3.5x15mm		3x12mm
				z28\3	1x



# 25

