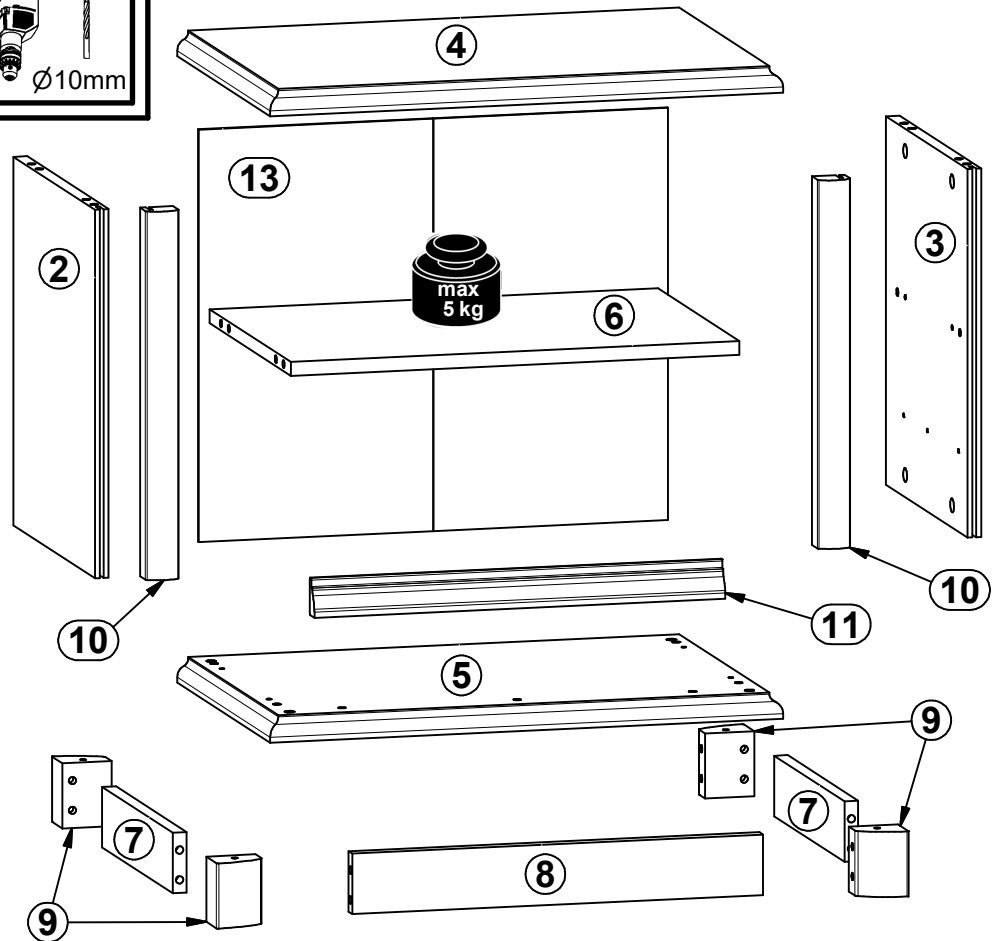
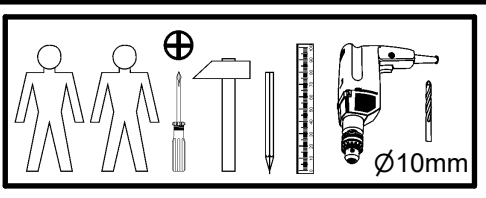
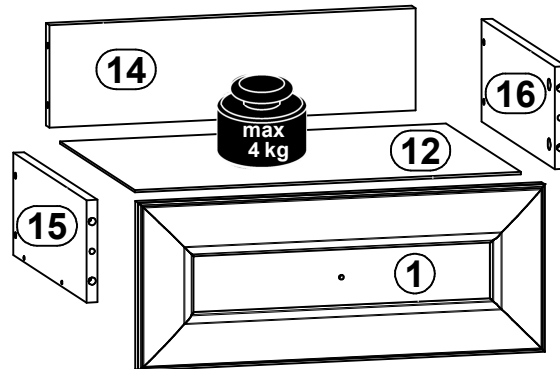
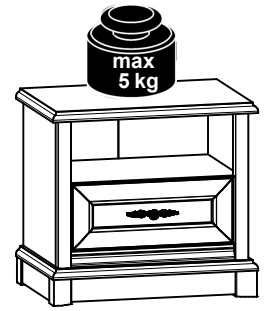


A

KENT

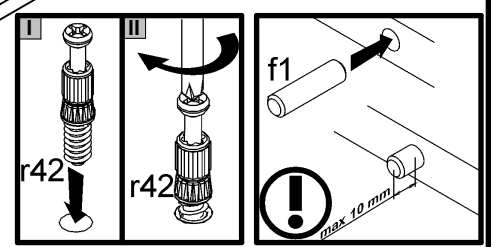
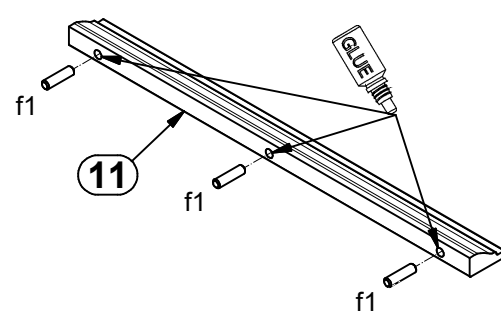
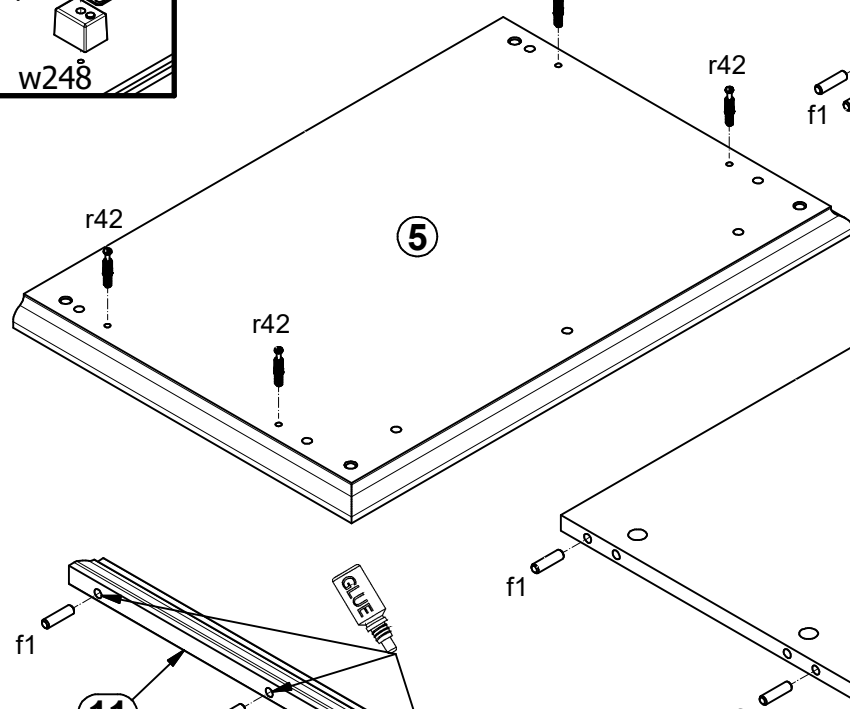
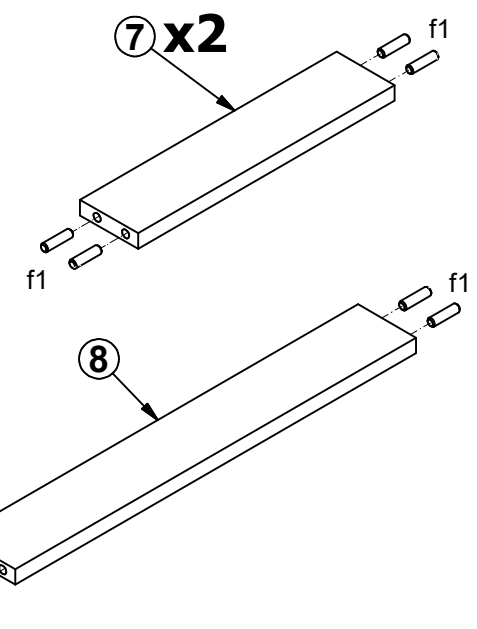
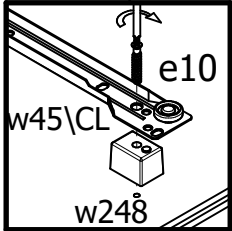
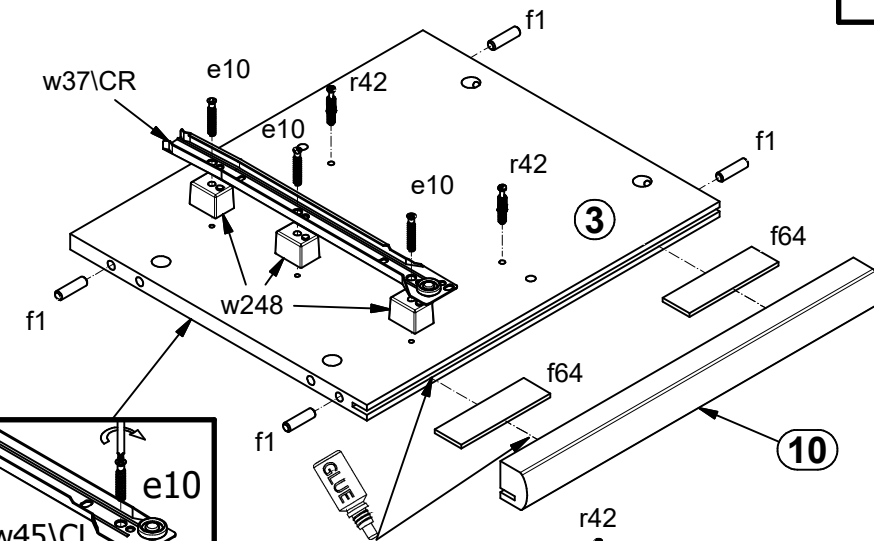
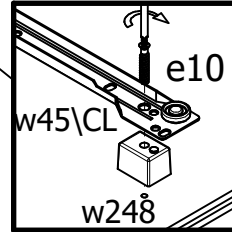
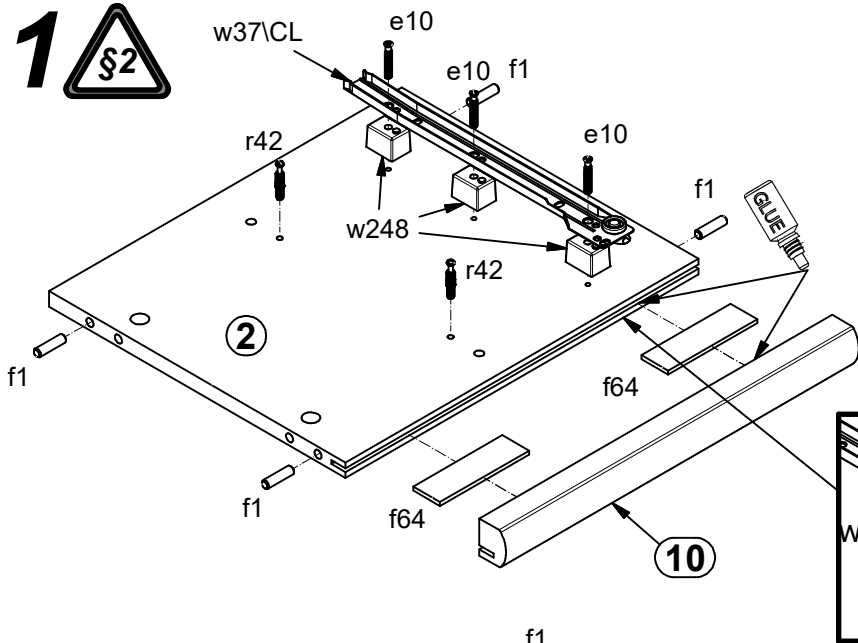
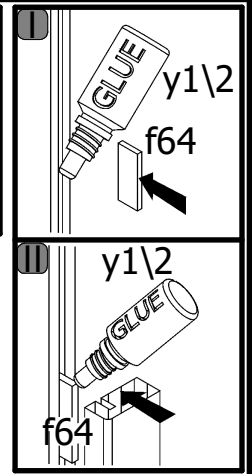
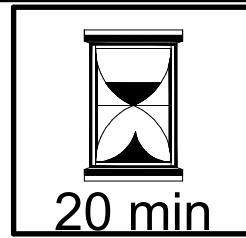
S447-EKOM1S

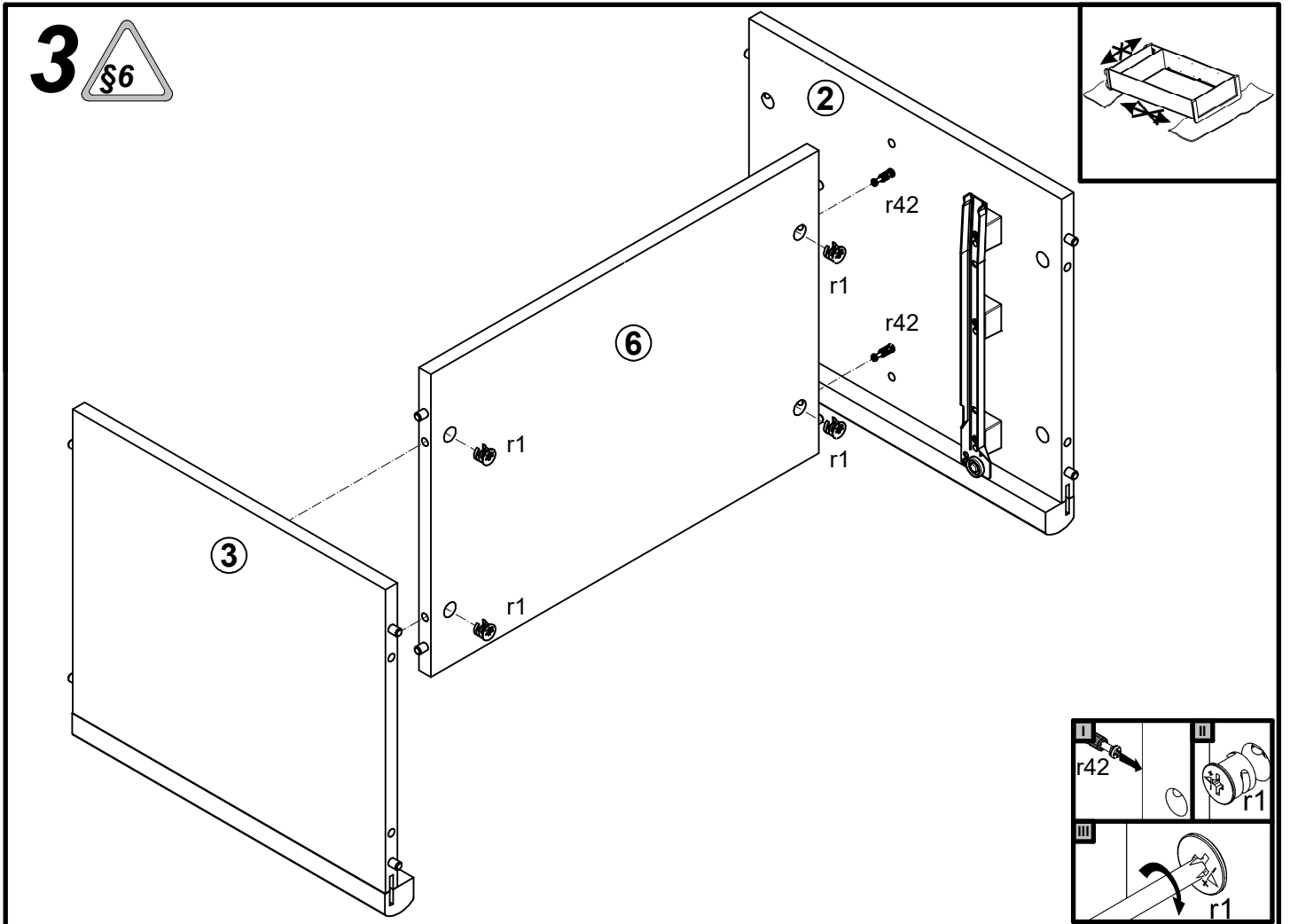
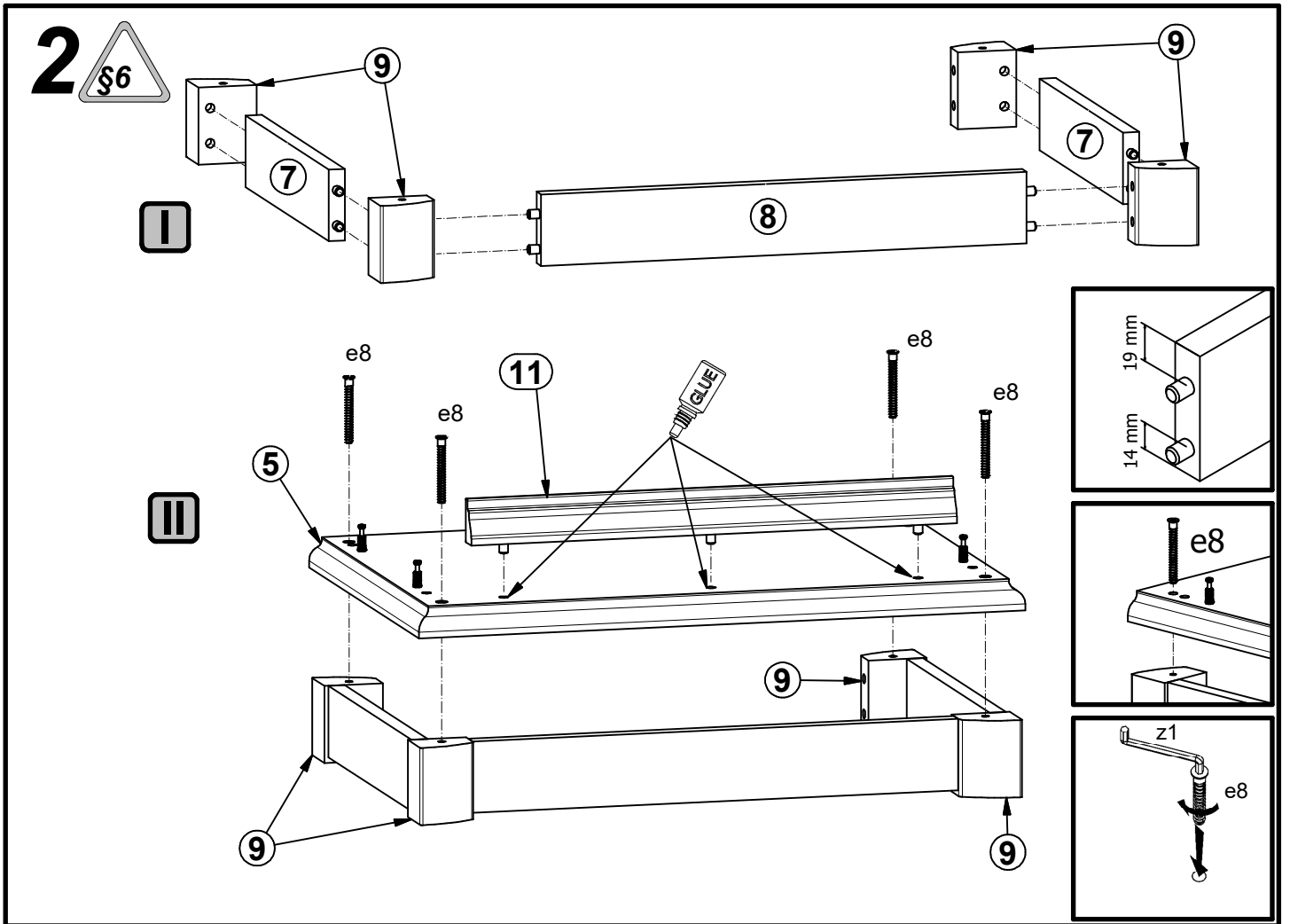
A	B	C	D
1	S447-0009	445	180
2	S447-1009	396	333
3	S447-1010	396	333
4	S447-2009	562	380
5	S447-2010	562	380
6	S447-3001	491	332
7	S447-4006	288	65
8	S447-4007	450	65
9	S447-5003	70	54
10	S447-5015	396	36
11	S447-5016	450	40
12	S447-9006	423	307
13	S447-9305	443	514
14	ZS7-5014	401	110
15	ZS7-523	300	110
16	ZS7-524	300	110



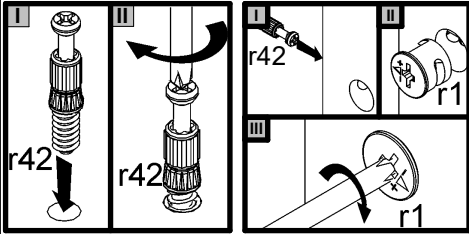
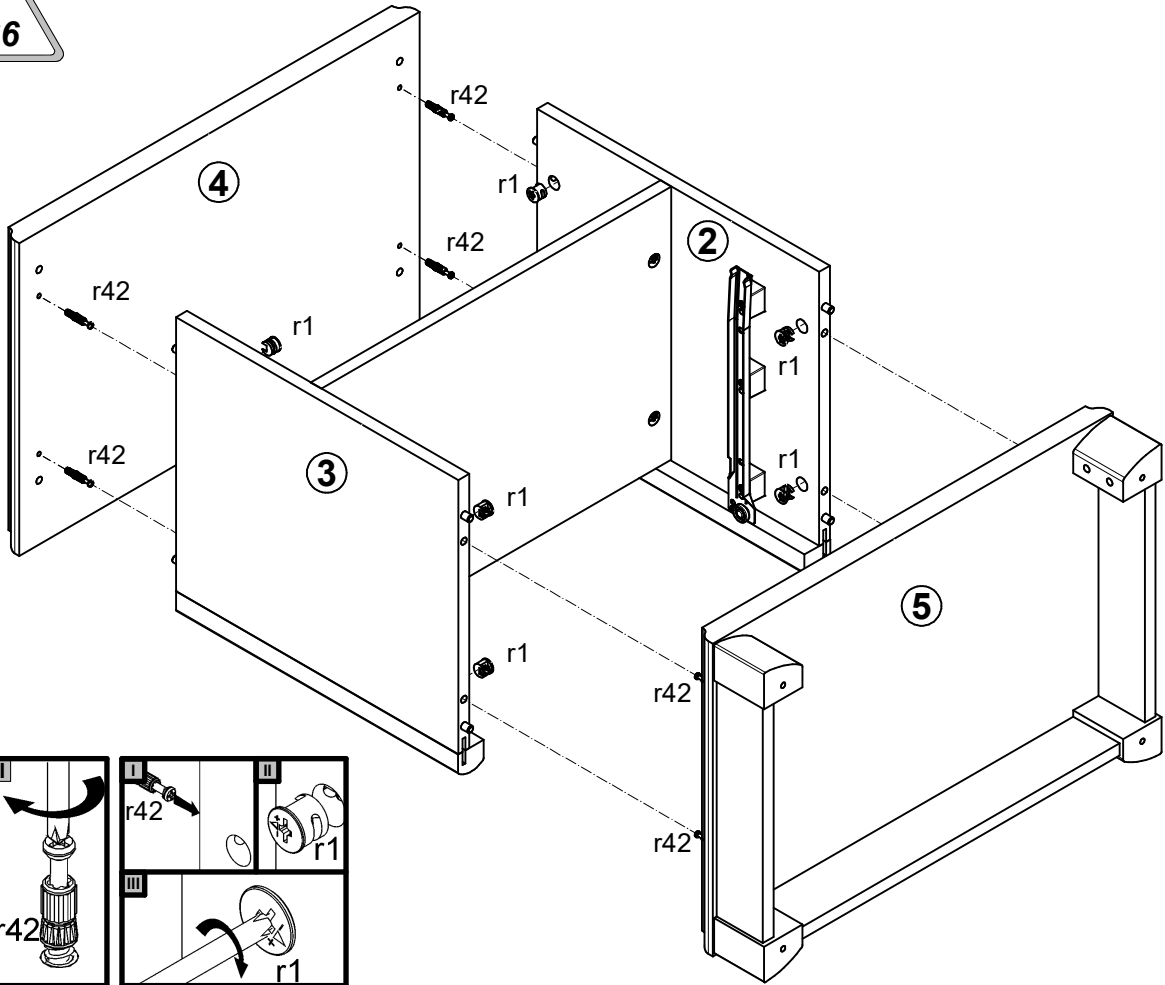
1x c35\1	1x c35\2	4x Ø7x90 mm e8	6x Ø6x33 mm e10	4x Ø5x9 mm e19	27x Ø8x30 mm f1	2x Ø6x30 mm f9	4x Ø6.5x40 mm f25	4x 100x30\3.8 mm f64
1x M4x20 mm j1	25x 1.4x20 mm l1	3x Ø3.5x16 mm p38	12x Ø15x12 mm #16 r1	4x Ø12x10.5 mm #12 r15	16x 20\11 r42	1x 300 mm w37\CL	1x 300 mm w37\CR	1x 300 mm w37\DL
1x 300 mm w37\DR	6x H=21mm w248	4x Ø16 s2	1x GLUE 30g y1\2	1x 4 mm z1				
						1x n26	1x Ø3.5x16 mm p38	

1 





4



5

