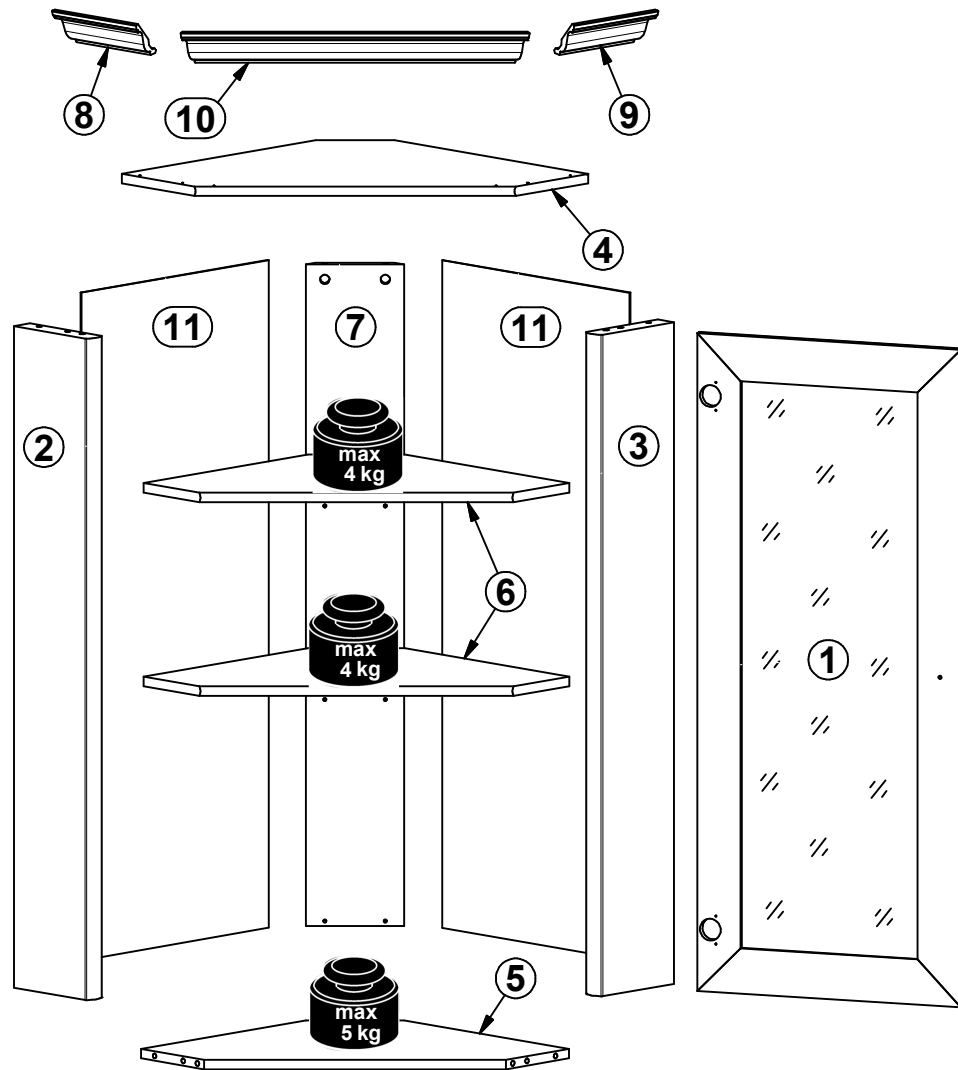
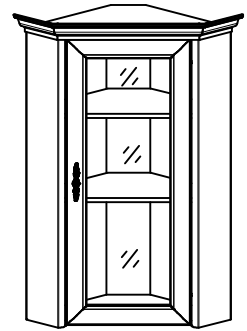
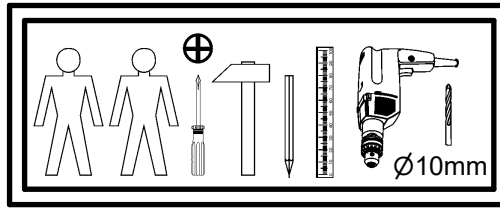
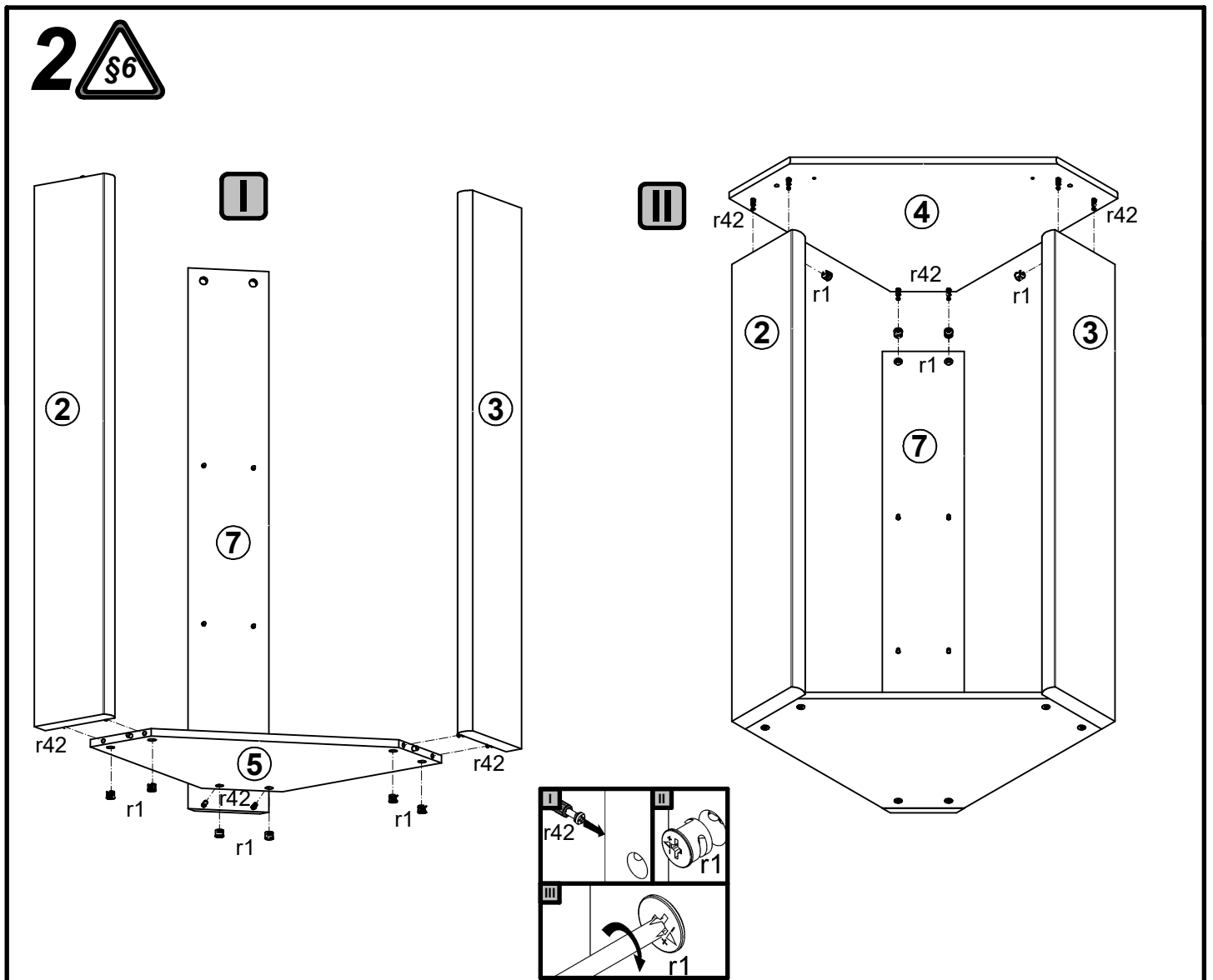
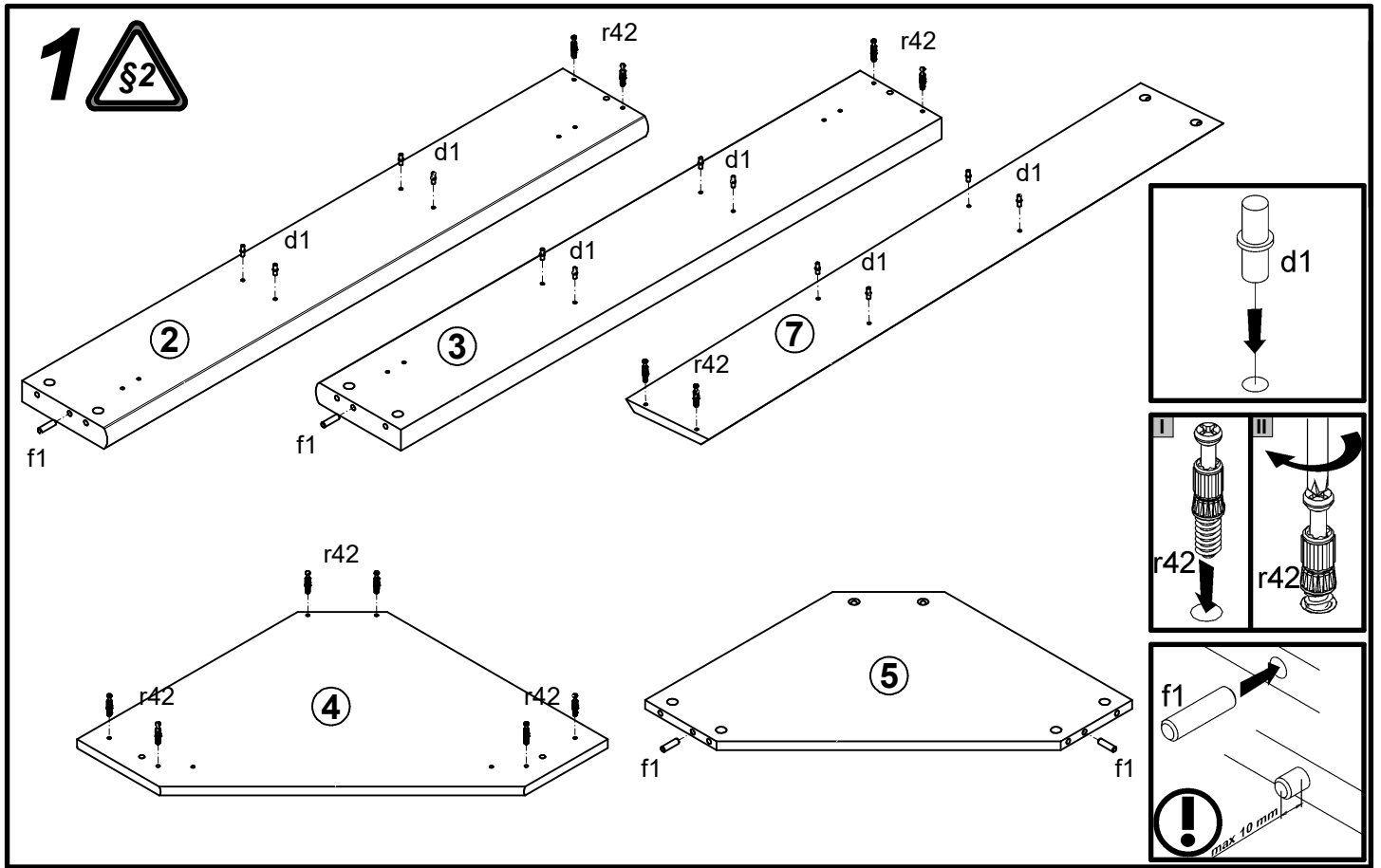


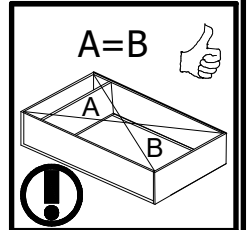
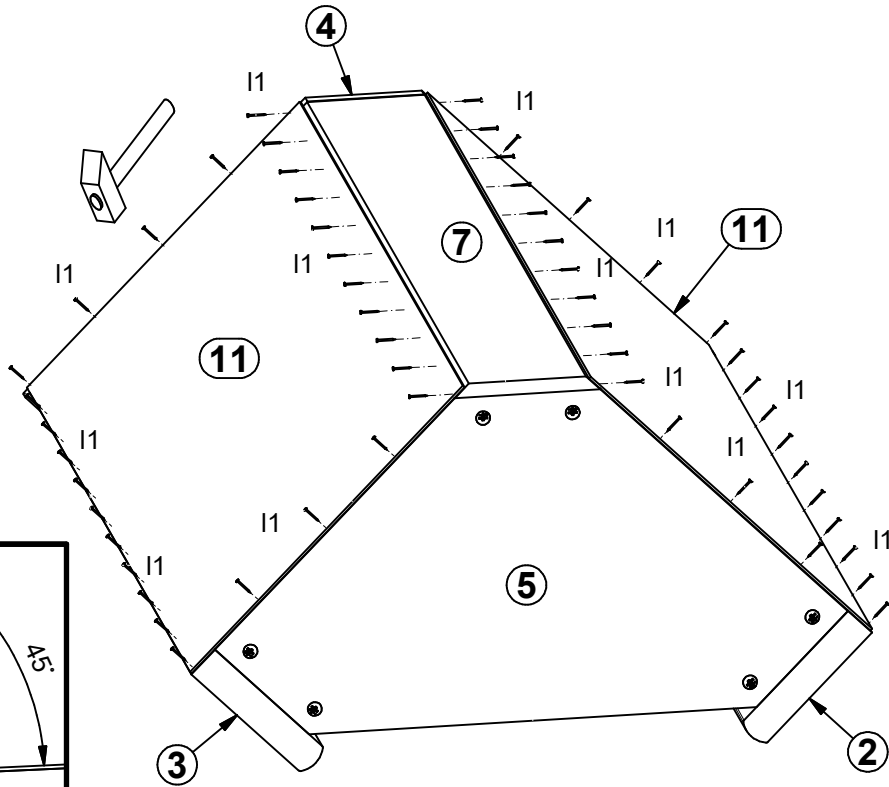
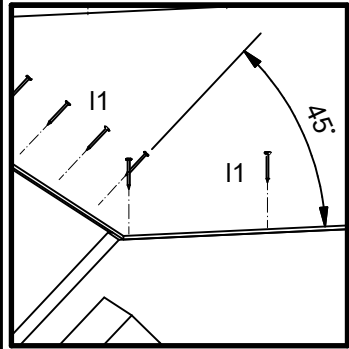
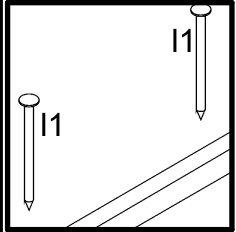
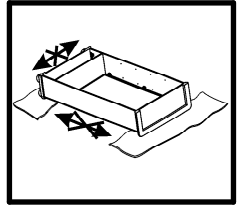
A	B	C	D
1	S447-0032	1060	445 2/2
2	S447-1044	1066	168 1/2
3	S447-1045	1066	168 1/2
4	S447-2037	740	424 1/2
5	S447-3025	679	361 1/2
6	S447-3026	676	352 1/2
7	S447-4029	1066	156 1/2
8	S447-5105	189	92,5 1/2
9	S447-5106	189	92,5 1/2
10	S447-5107	554	92,5 1/2
11	S447-9019	1076	420 1/2



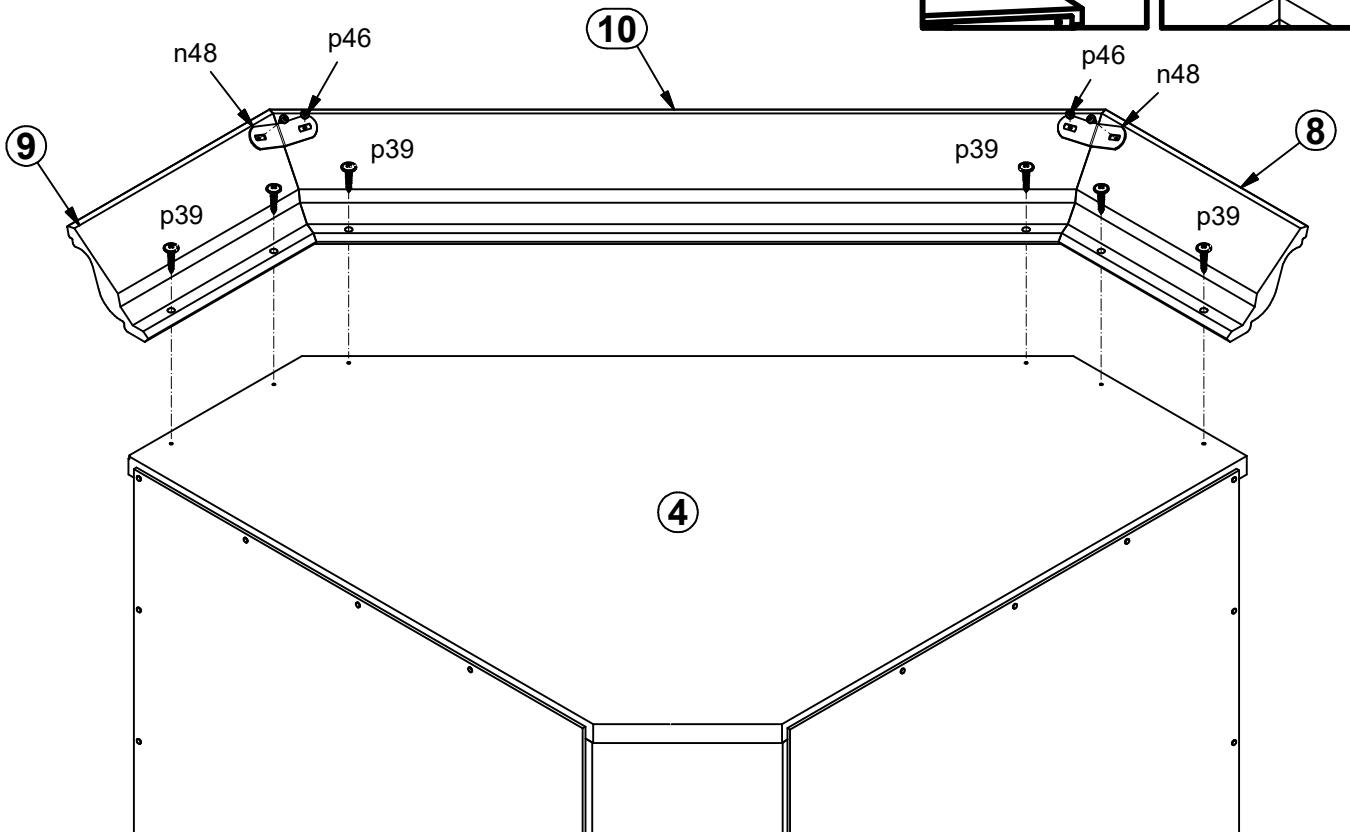
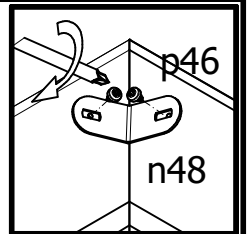
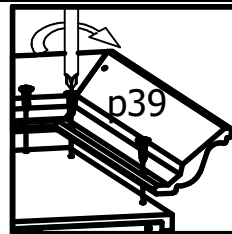
2x  a14	2x  b7	1x  c35/1	1x  c35/2	12x  d1 Ø5x17 mm	1x  d4 Ø6,3x15 mm	4x  e3 Ø6x13 mm	4x  f1 Ø8x30 mm	1x  j6 M4x30 mm	
55x  l1 1,4x20 mm	2x  n48 26x26x16/1-155°	2x  n52 62x12/1 mm	2x  p1 Ø3,5x13 mm	6x  p25 Ø3,5x16 mm	6x  p39 Ø4x20 mm	4x  p46 Ø3x7 mm	4x  p51 Ø3,5x15 mm	12x  r1 Ø15x12 mm #16	
12x  r42 20/11	6x  s2 Ø16								
								1x  n26	1x  p38 Ø3,5x16 mm



# 3

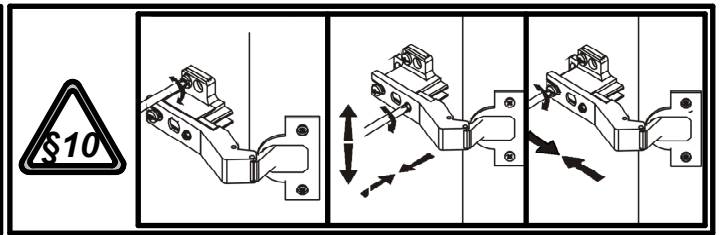
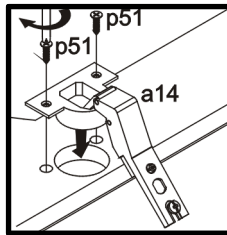
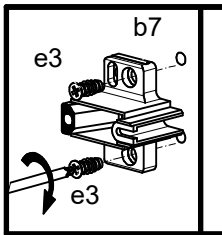
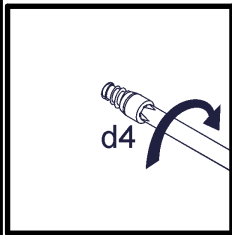
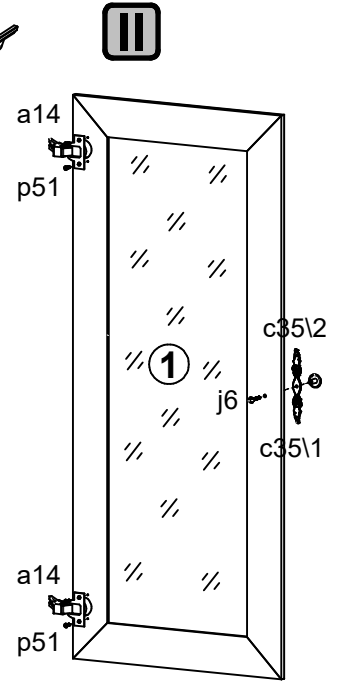
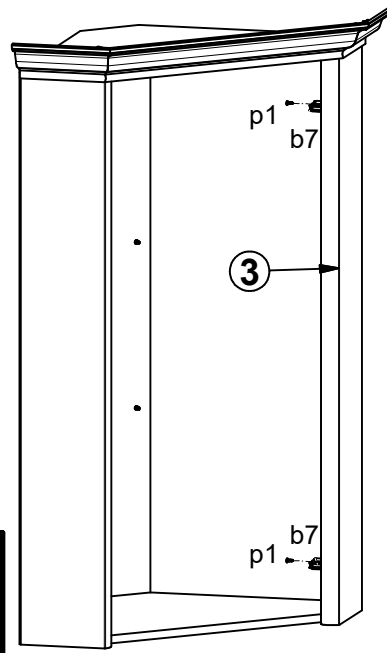
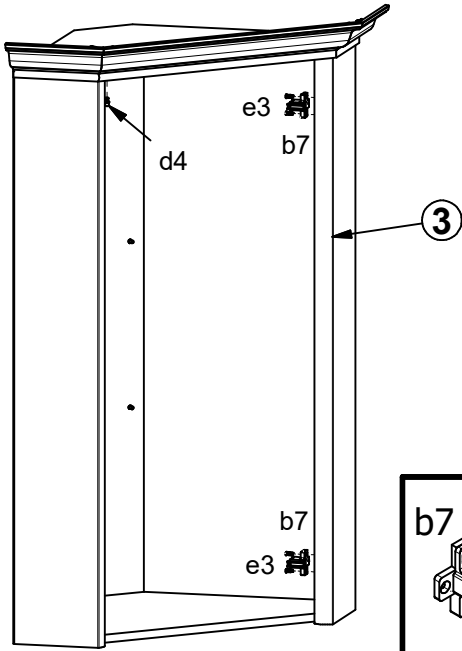


# 4



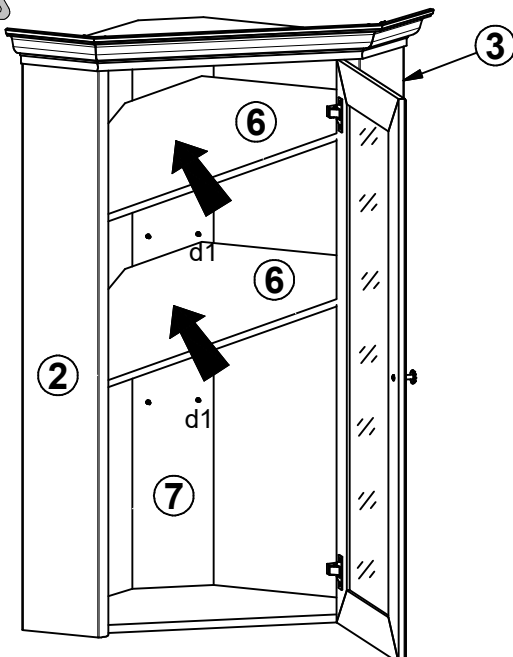
5 §6

I



6 §6

I



II

