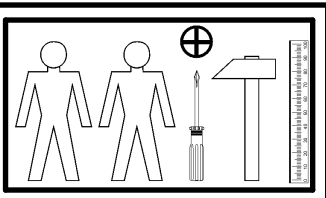
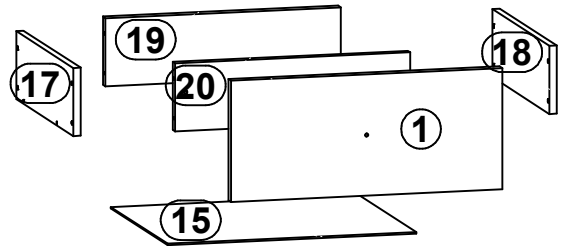
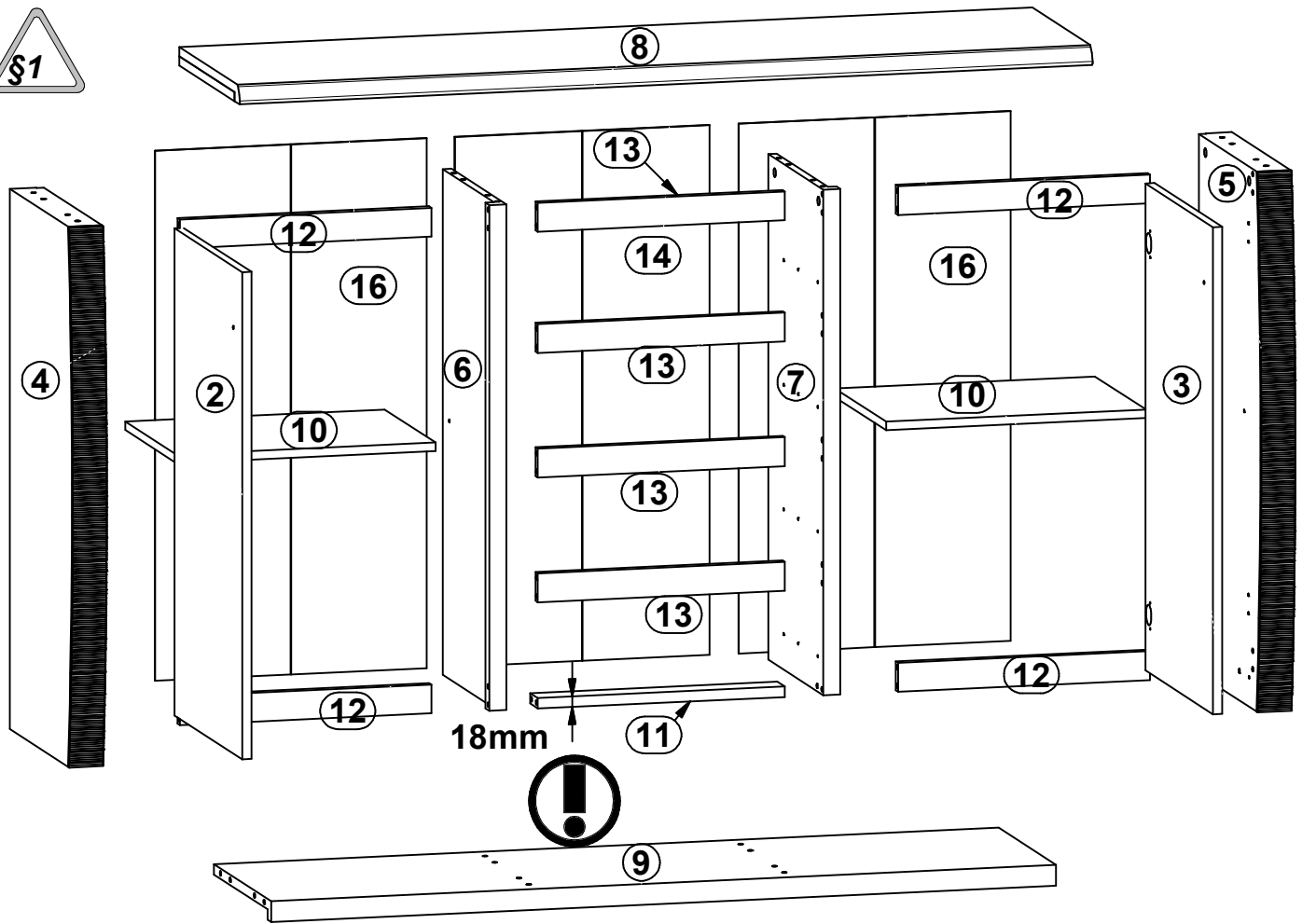
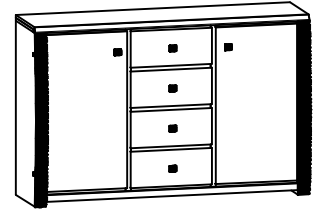


SENEGAL

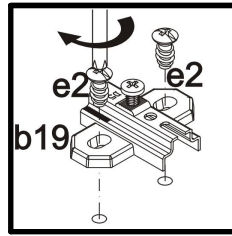
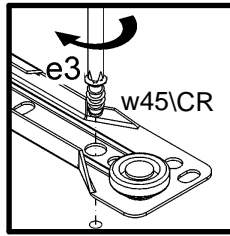
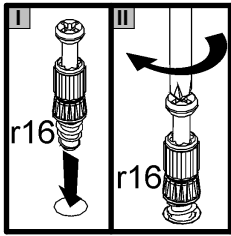
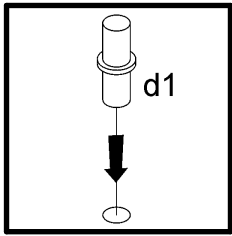
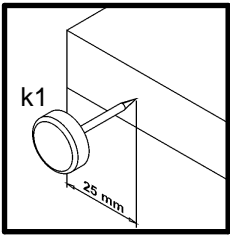
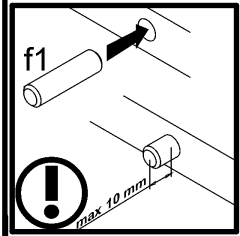
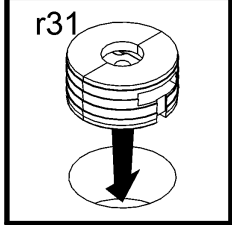
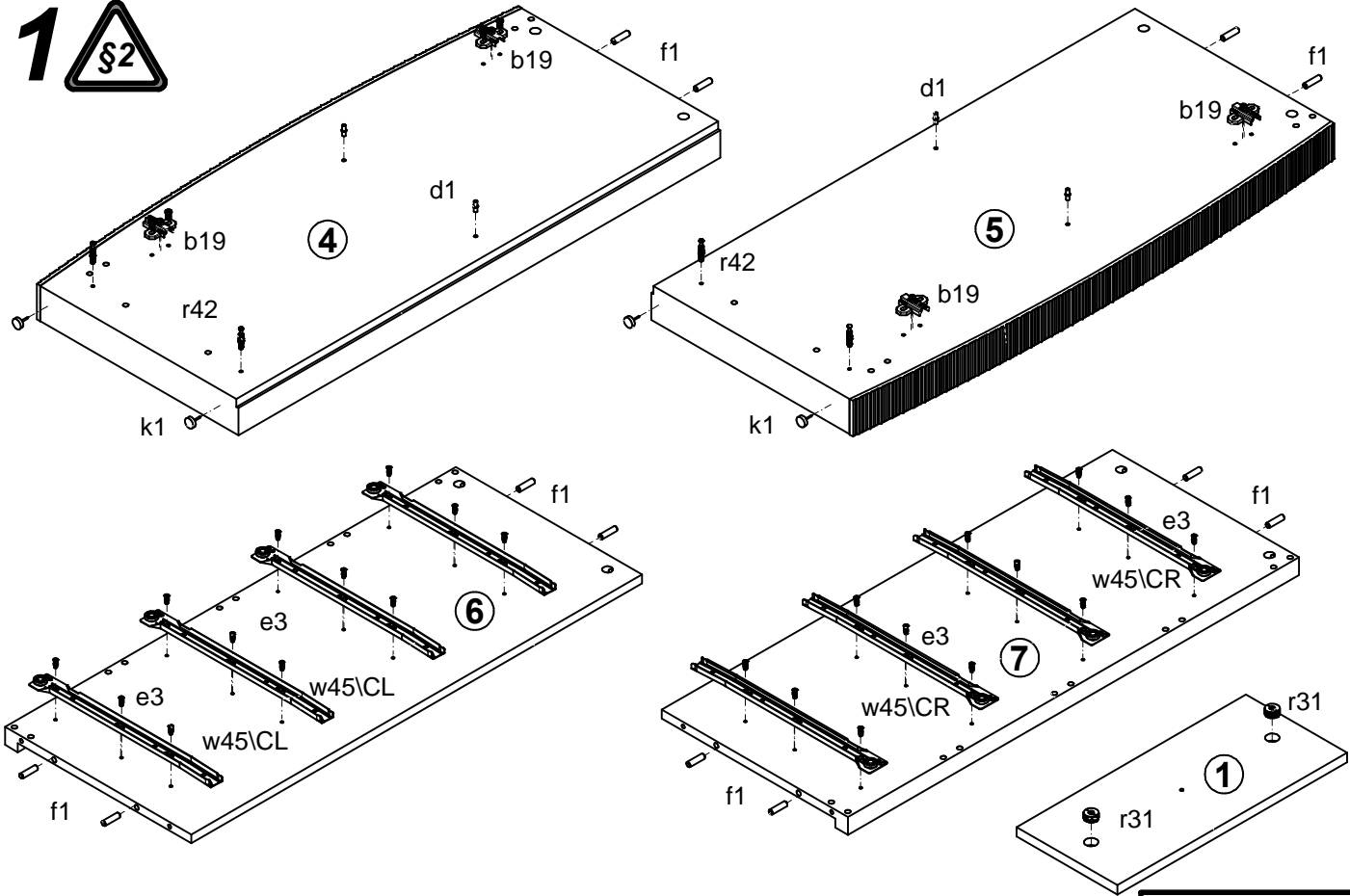
S175-C/KOM2D4S

A	B	C	D	A	B	C	D		
1	S175-004	446	196	4/4	11	S175-403	436	50	2/4
2	S175-005	844	446	4/4	12	S175-404	444	50	2/4
3	S175-008	844	446	4/4	13	S175-405	436	50	2/4
4	S175-105	936	418	1/4	14	S175-905	918	449	2/4
5	S175-106	936	418	1/4	15	S175-906	409	348	2/4
6	S175-107	876	362	1/4	16	S175-907	918	479	2/4
7	S175-108	876	362	1/4	17	ZT3-501	350	110	3/4
8	S175-203	1504	398	2/4	18	ZT3-502	350	110	3/4
9	S175-304	1384	377	2/4	19	ZT3-509	387	110	3/4
10	S175-305	458	336	2/4	20	ZT3-510	387	110	3/4

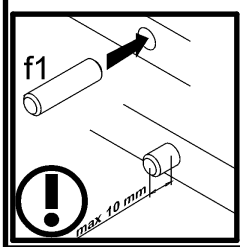
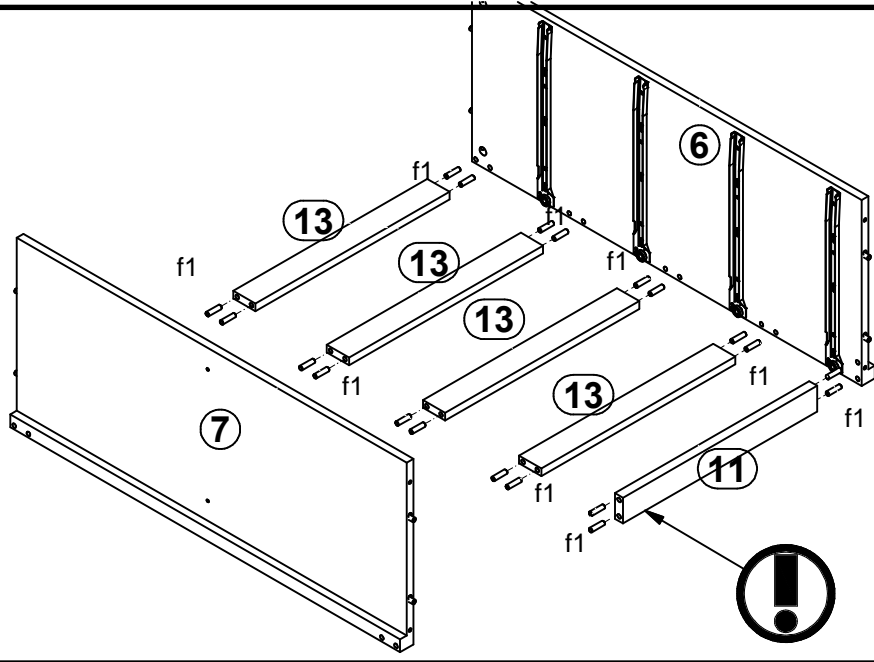


4x a43	4x b19	6x c295\1	6x c295\2	8x Ø5x17 mm d1	4x Ø7x50 mm e1	16x Ø5x9 mm e19	8x Ø6.3x13 mm e2	24x Ø6x13 mm e3
32x Ø5x50 mm e32	52x Ø8x30 mm f1	6x M4x22 mm j60	8x M4x25 mm j8	4x k1	2x k2\1	2x k2\2	100x l1	24x Ø3.5x16 mm p38
8x Ø3.5x15 mm p51	12x Ø15x12 mm #16 r1	8x Ø21x10 mm r31	12x r42	4x 350 mm w45\CL	4x 350 mm w45\CR	4x 350 mm w45\DL	4x 350 mm w45\DR	1x z1
1x n26\1	1x Ø3.5x16 mm p38	4x Ø15 s51						

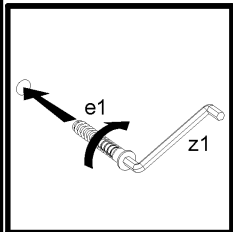
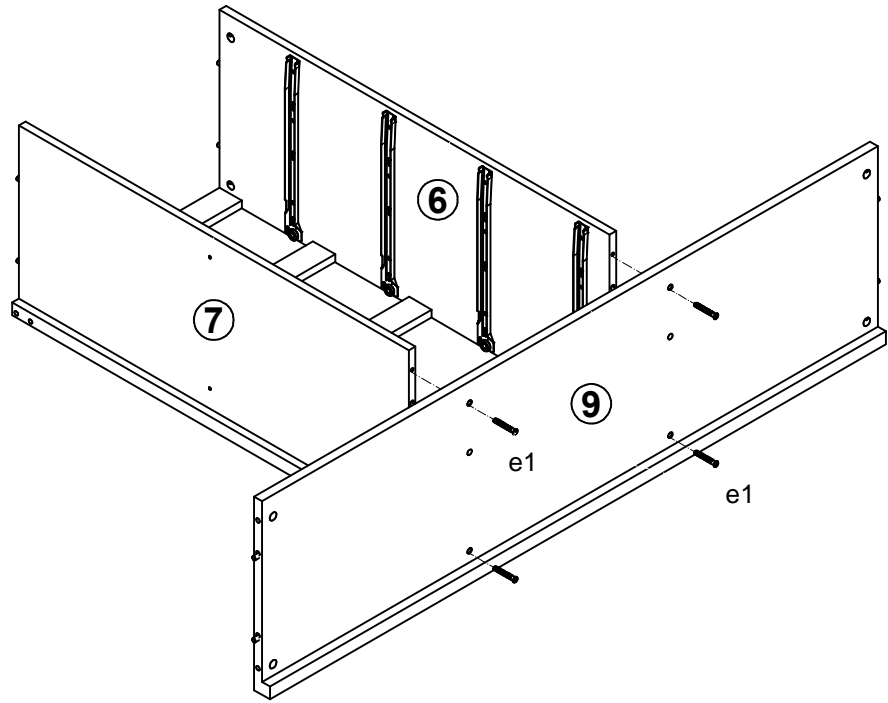
1 



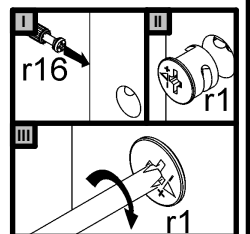
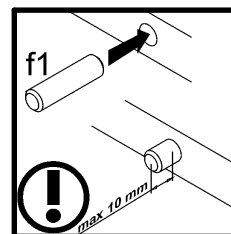
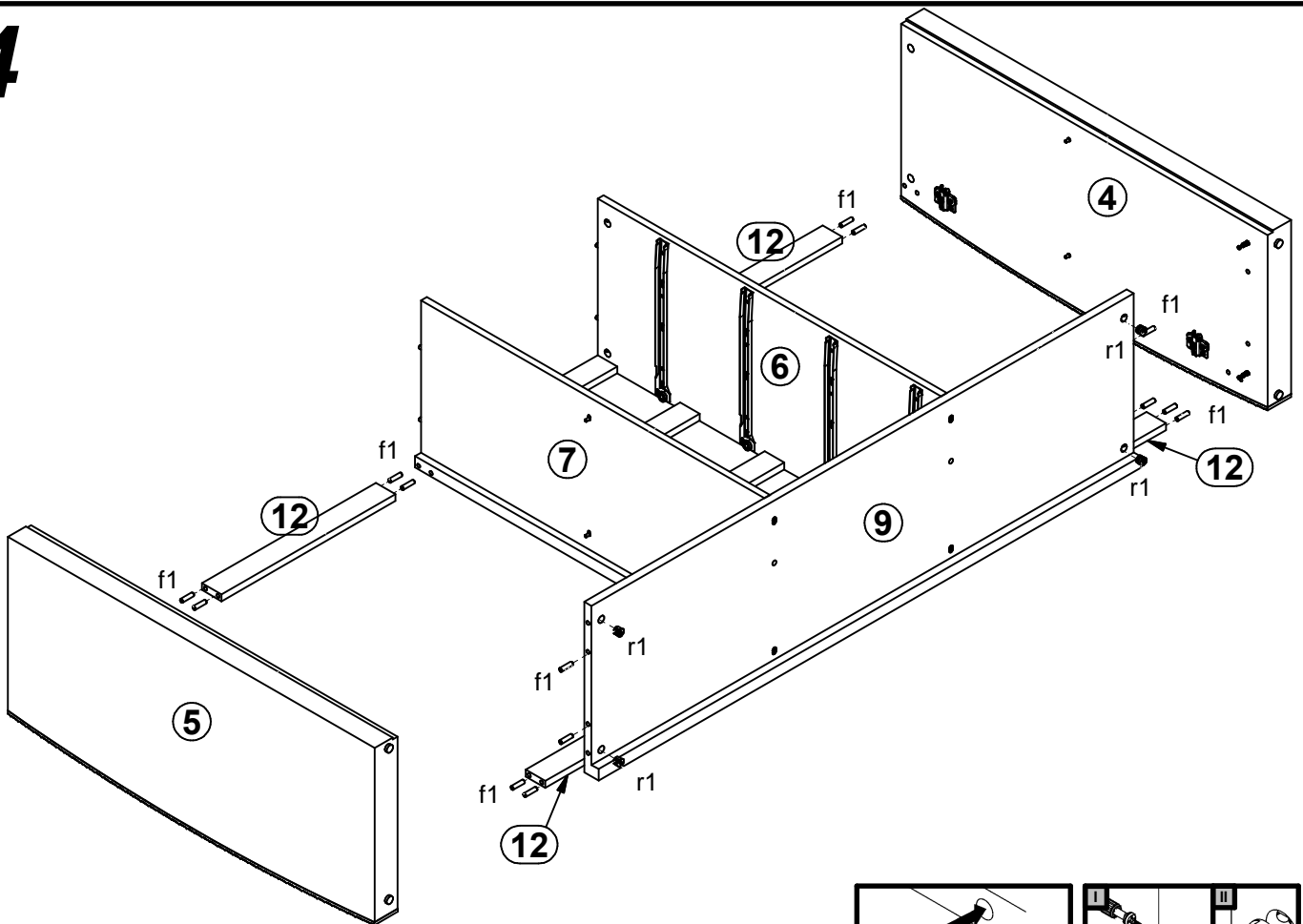
2 



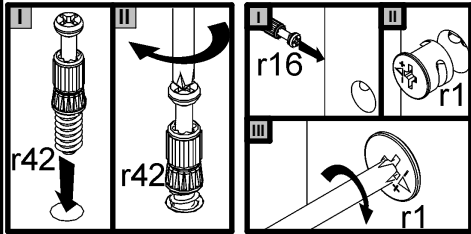
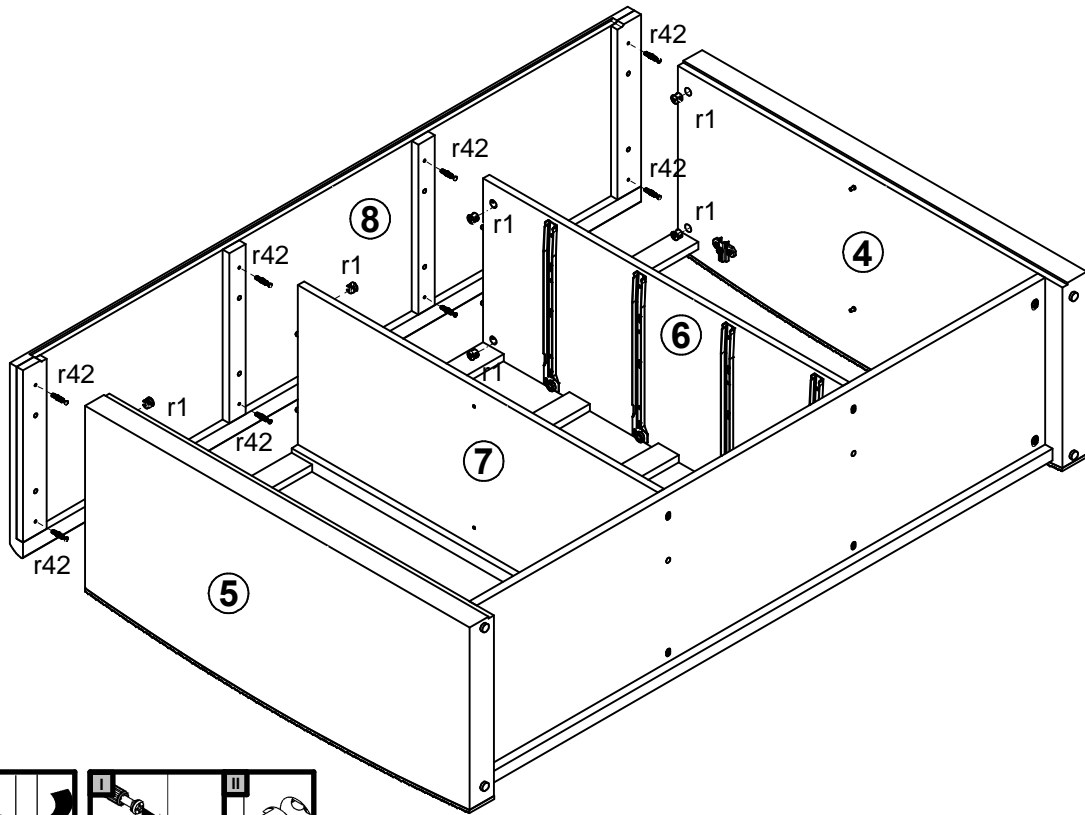
3



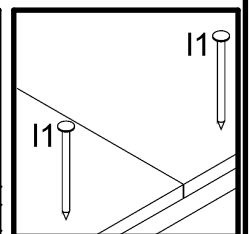
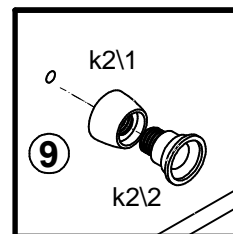
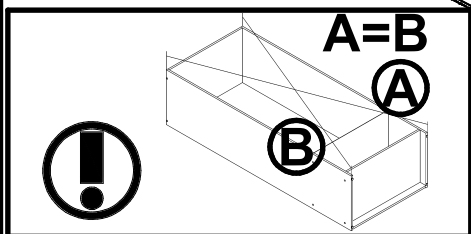
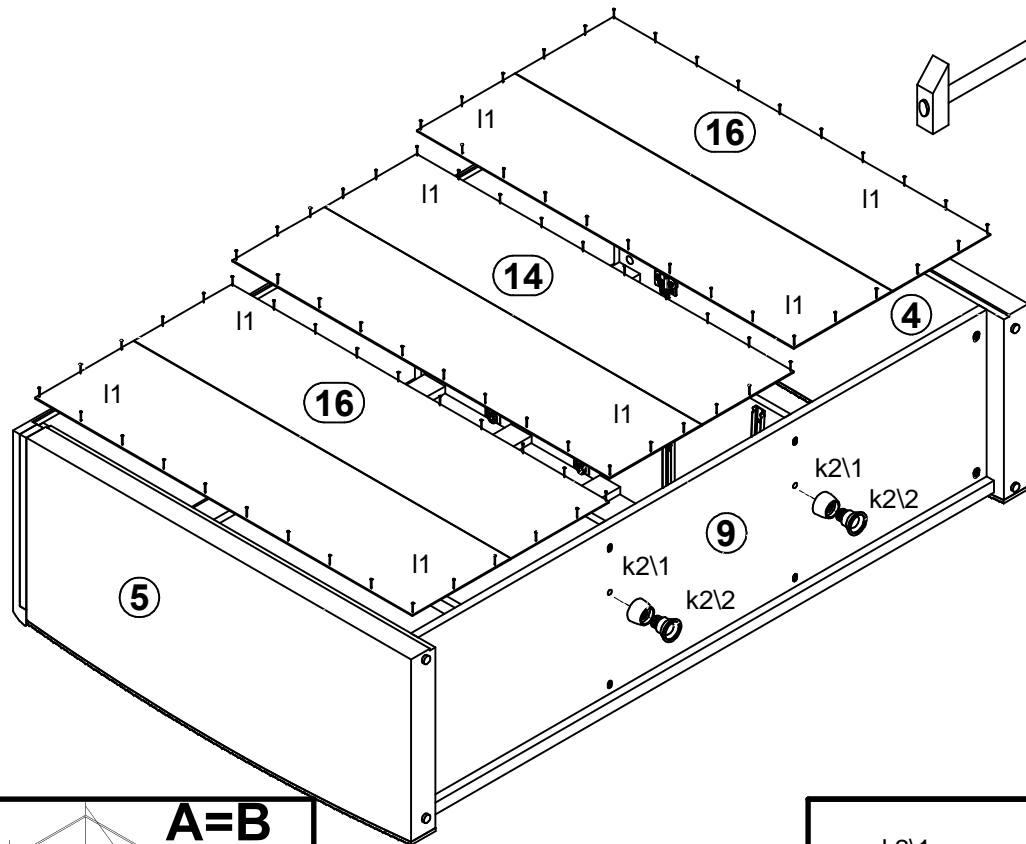
4



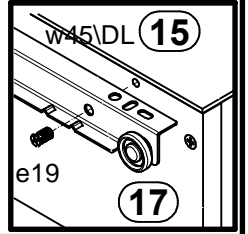
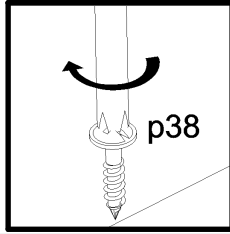
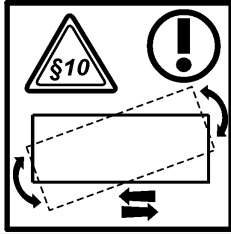
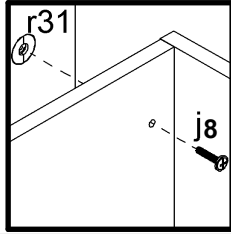
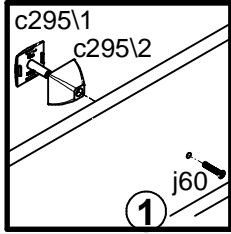
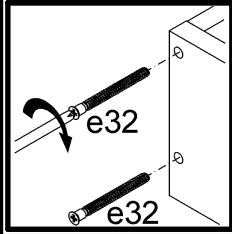
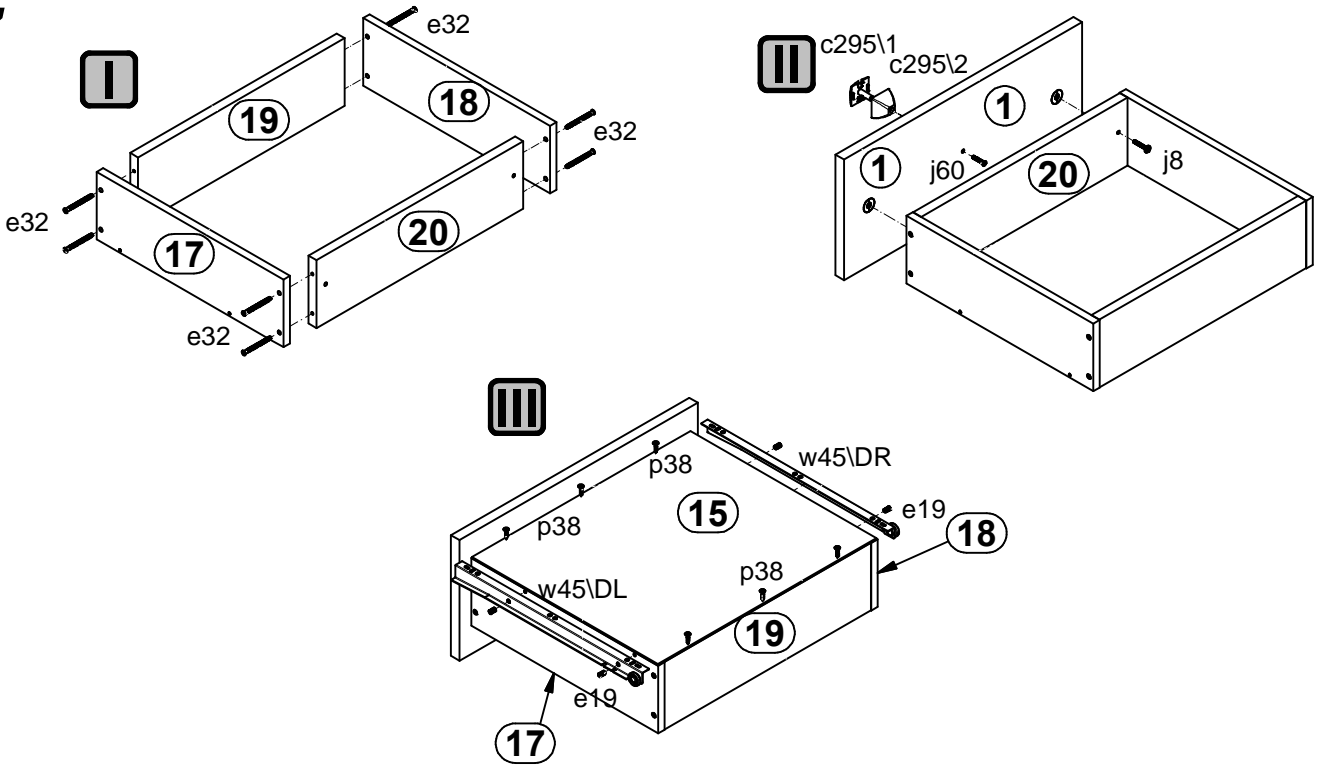
5



6



7



8

