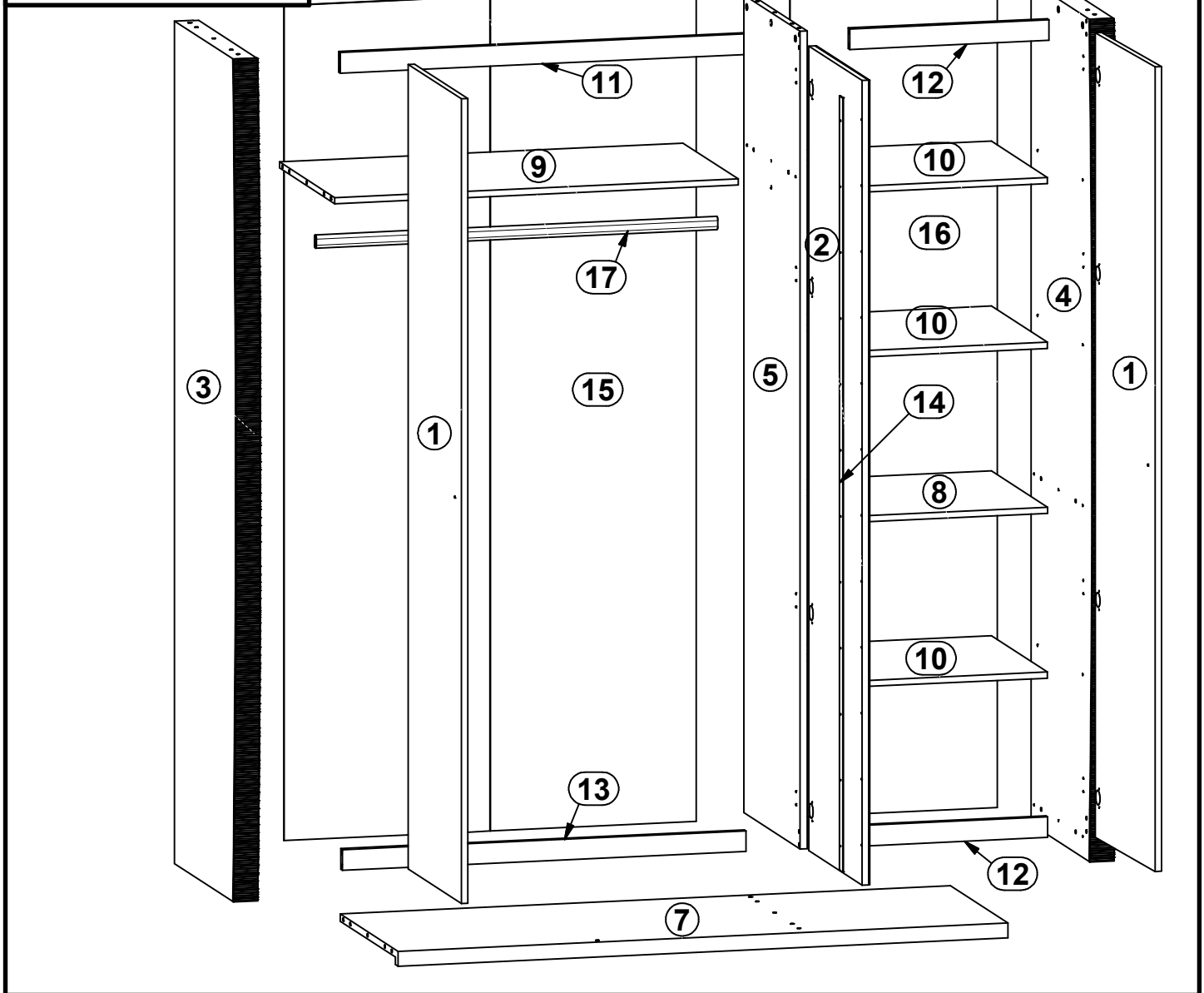
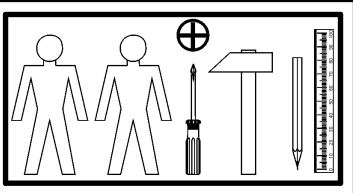


# SENEGAL

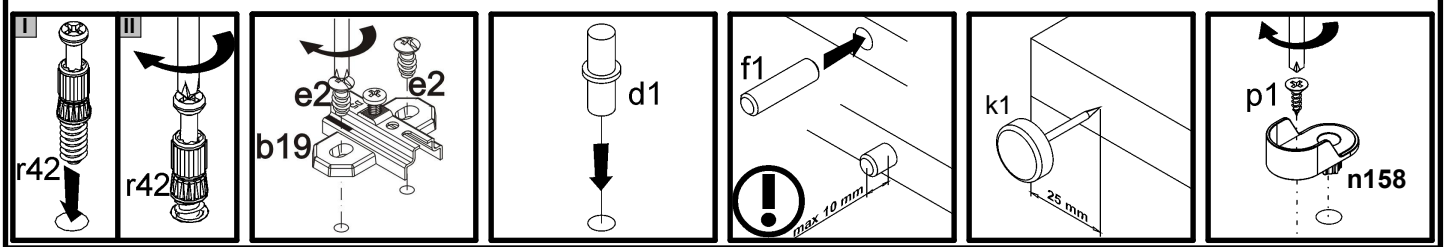
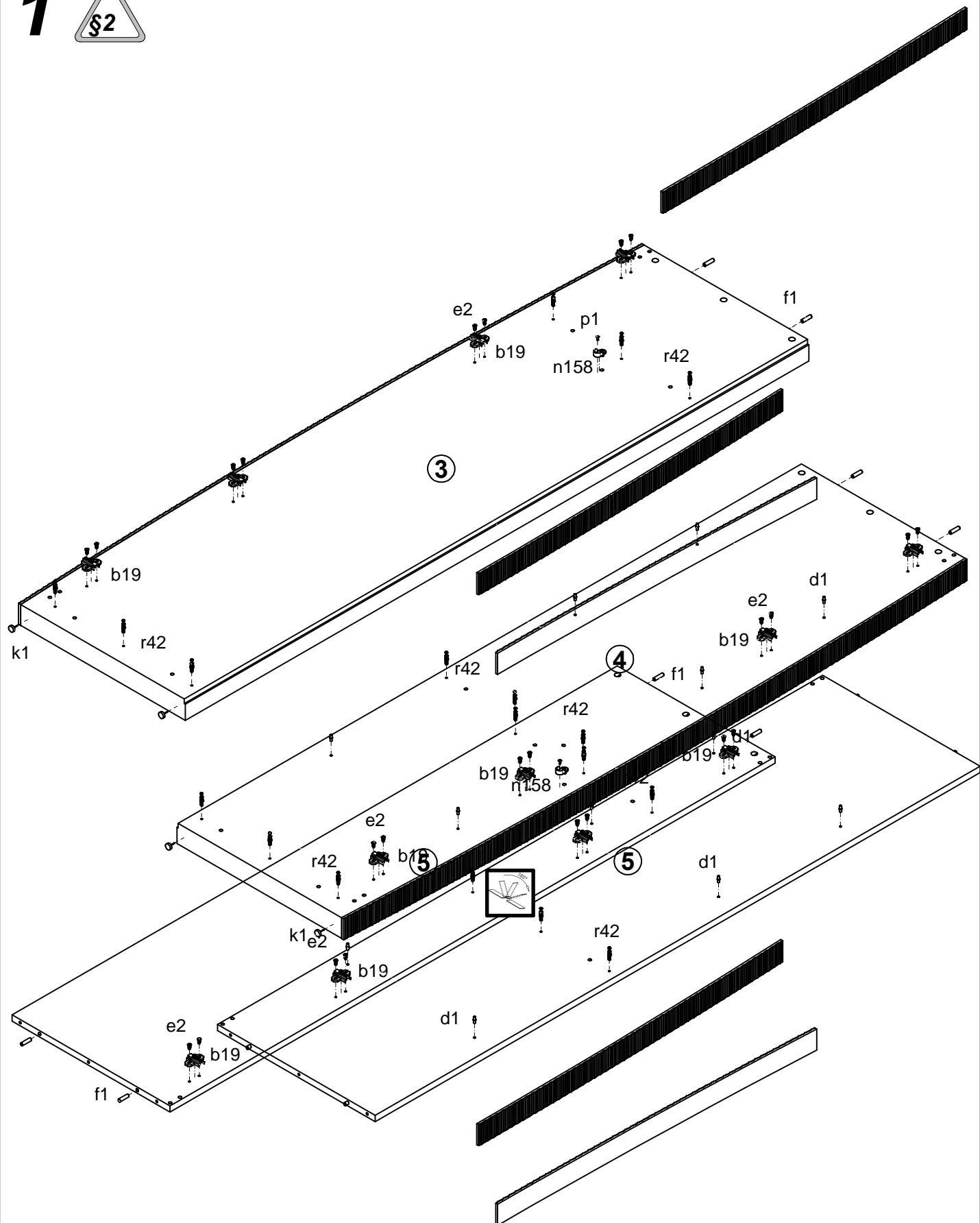
## S175-C/SZF3D

A	B	C		D	A	B	C		D
1	S175-015	1952	491	5/5	10	S175-323	491	516	3/5
2	S175-016	1952	491	5/5	11	S175-414	997	50	2/5
3	S175-131	2044	573	1/5	12	S175-415	492	50	2/5
4	S175-132	2044	573	1/5	13	S175-424	997	50	2/5
5	S175-133	1984	517	2/5	14	S175-503	1878	29	1/5
6	S175-210	1627	553	2/5	15	S175-920	2026	1019	1/5
7	S175-320	1507	532	2/5	16	S175-921	2026	512	1/5
8	S175-321	492	517	3/5	17	dr-992	992	30	2/5
9	S175-322	997	509	3/5					

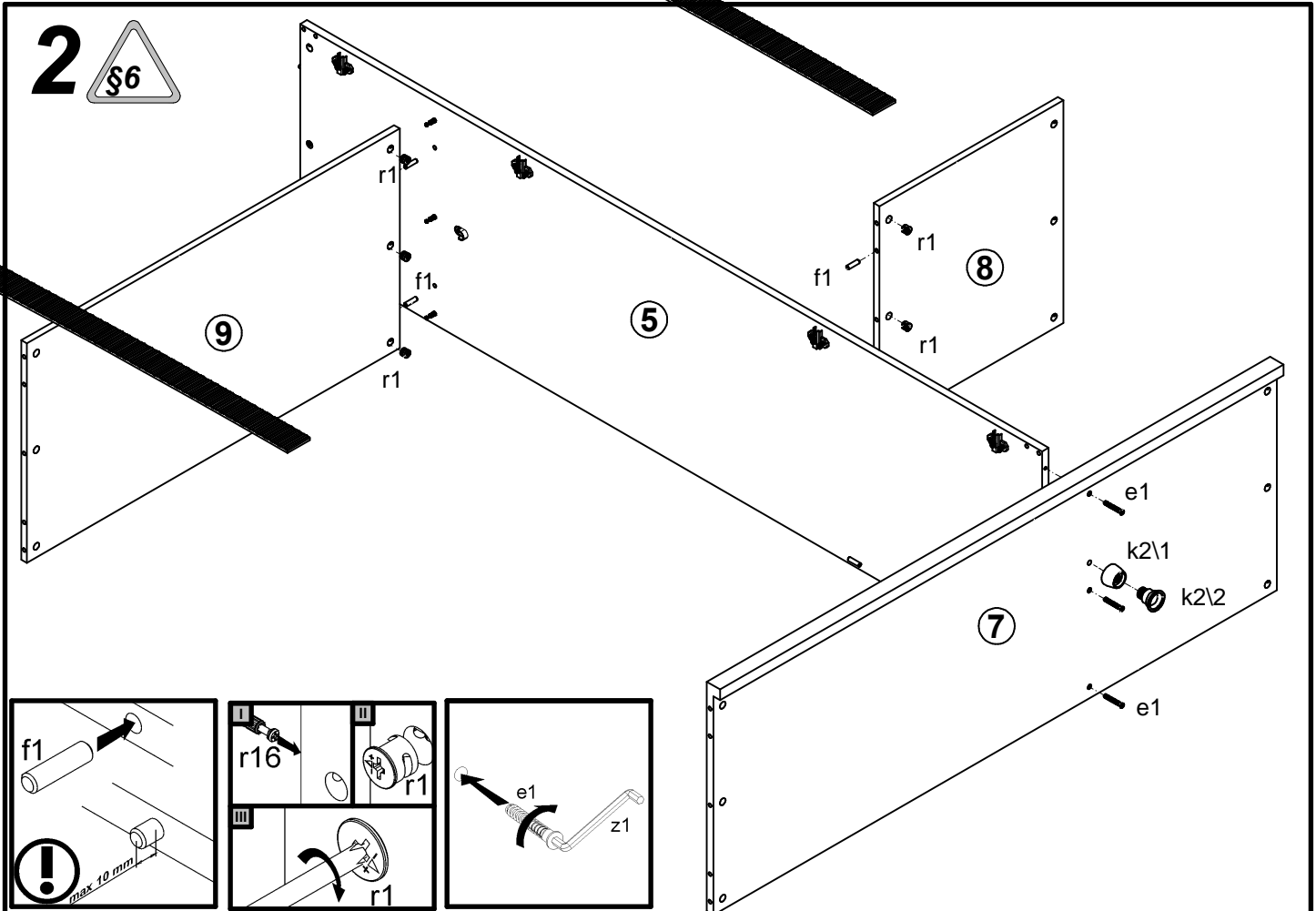


8x  a43	12x  b19	2x  c295v1	2x  c295v2	12x  φ5x17 mm d1	3x  φ7x50 mm e1	24x  φ6,3x13 mm e2	29x  φ8x30 mm f1	4x  φ8x50 mm f6
2x  M4x22 mm j60	4x  k1	1x  k2v1	1x  k2v2	130x  l1	2x  n158	2x  φ3,5x13 mm p1	12x  φ3,5x16 mm p38	24x  φ3,5x15 mm p51
27x  φ15x12mm #16 r1	27x  r42	1x  z1	4x  a68	1x  32x16x151 mm n56	2x  φ3,5x13 mm p27	6x  ø15 s51	9x  ø16 s2	

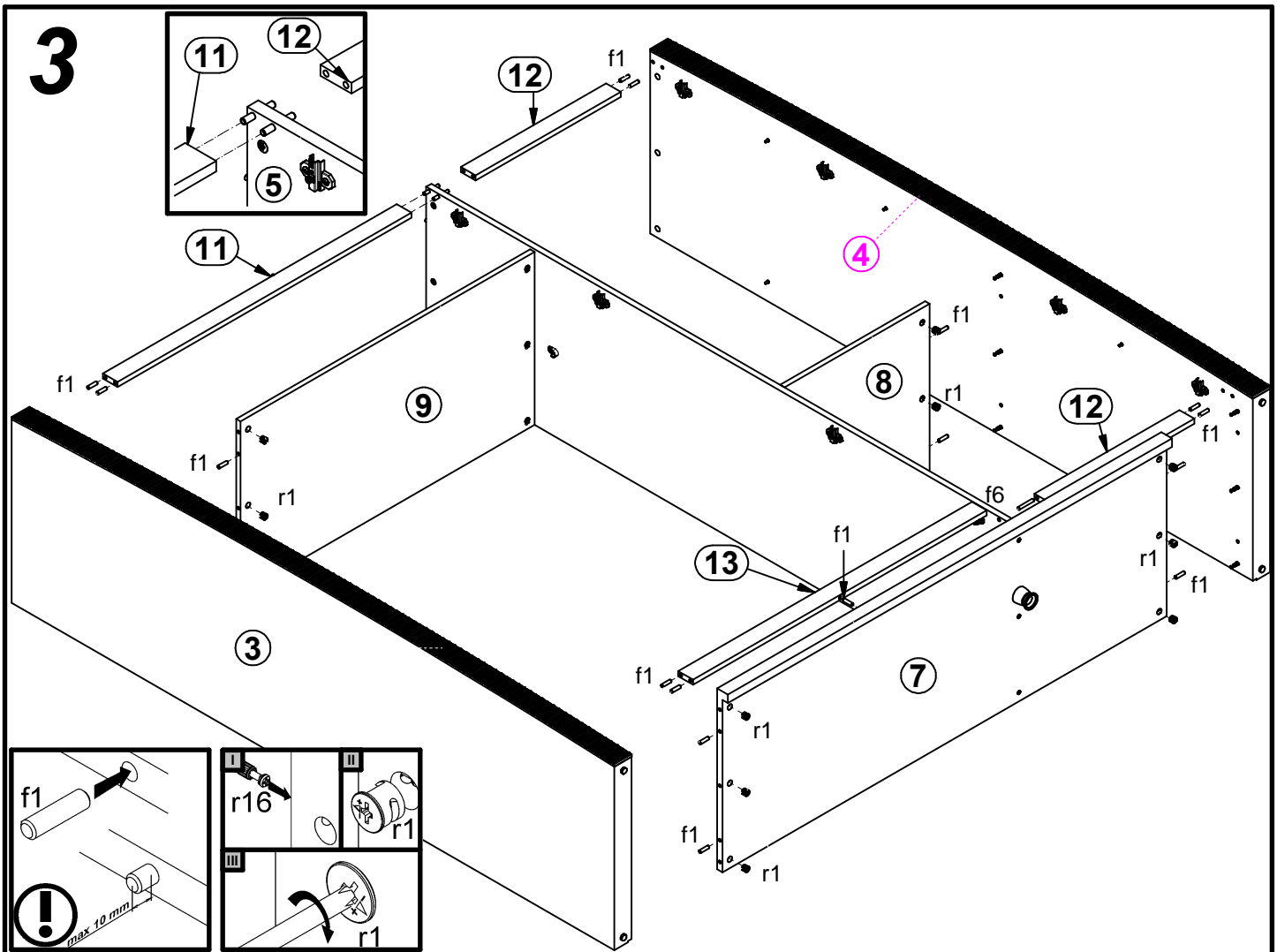
1 

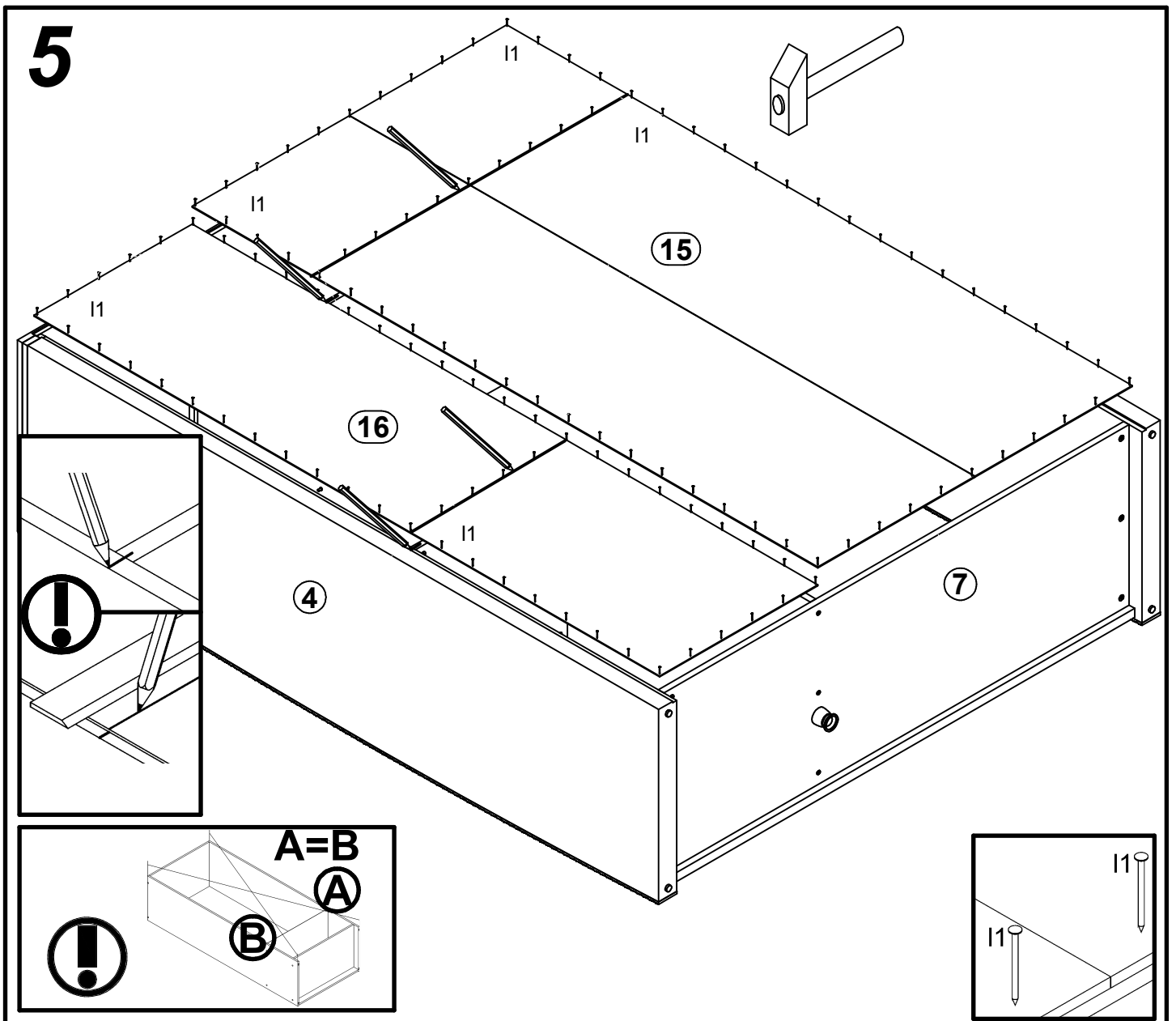
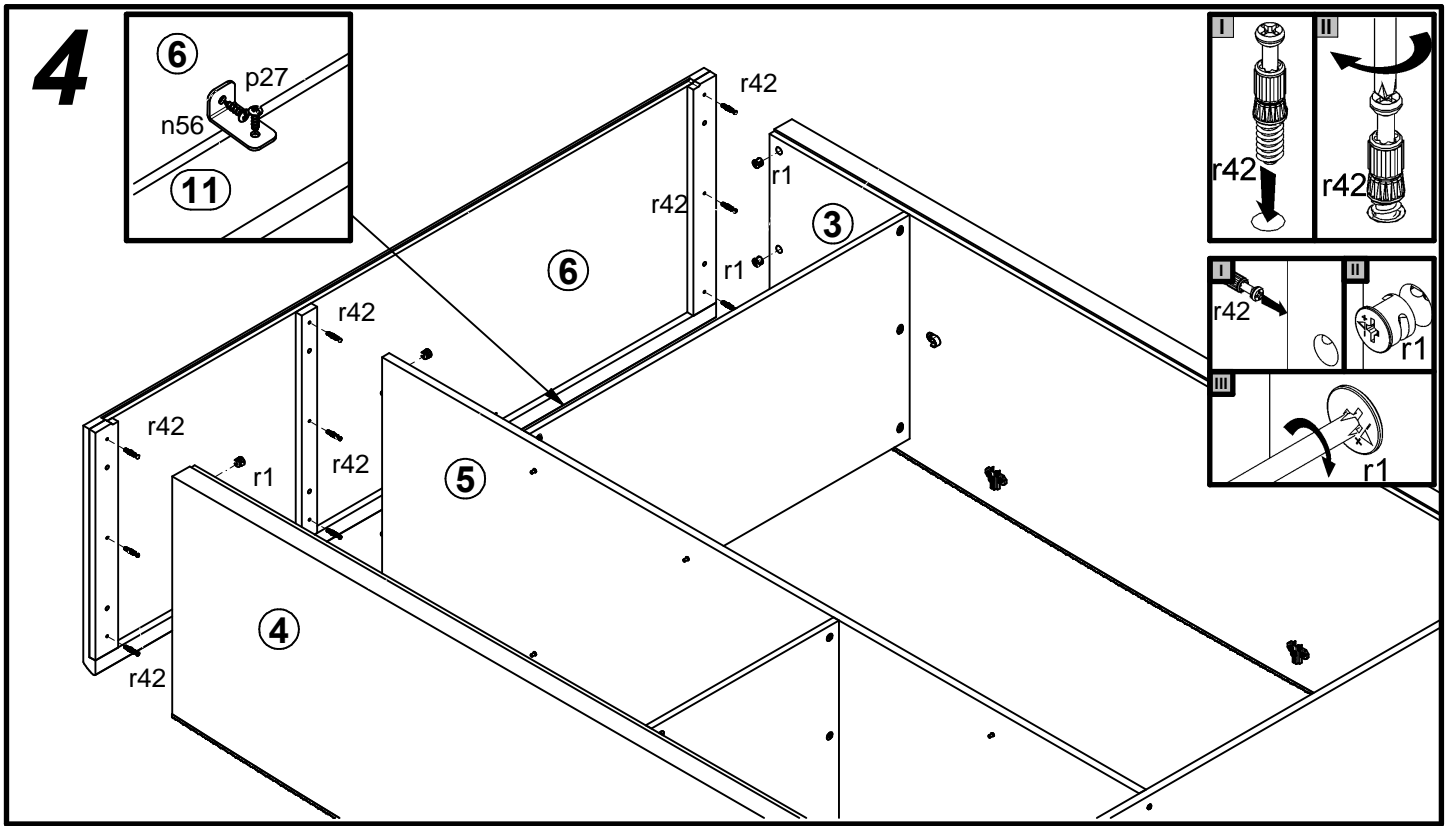


# 2



# 3





# 6

