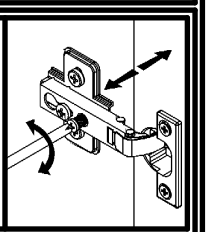
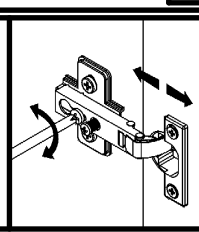
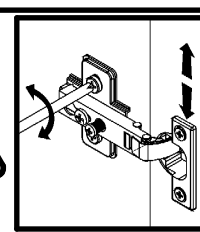
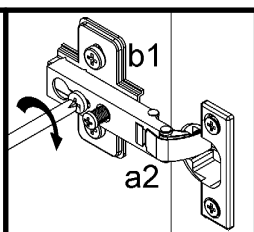
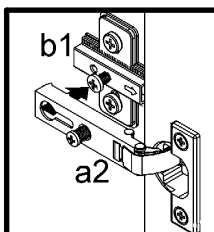
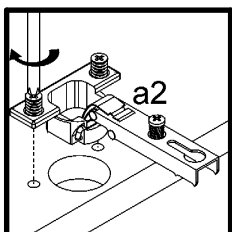
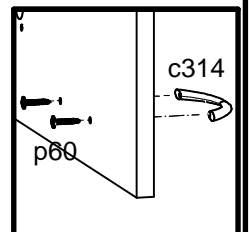
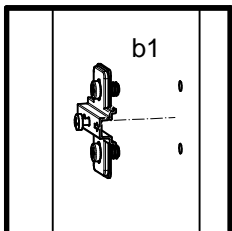
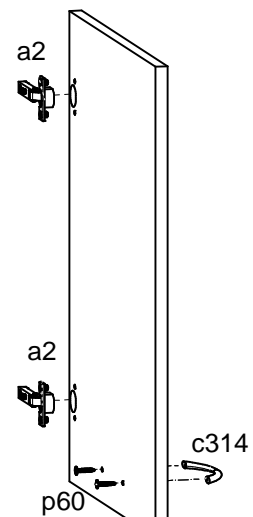
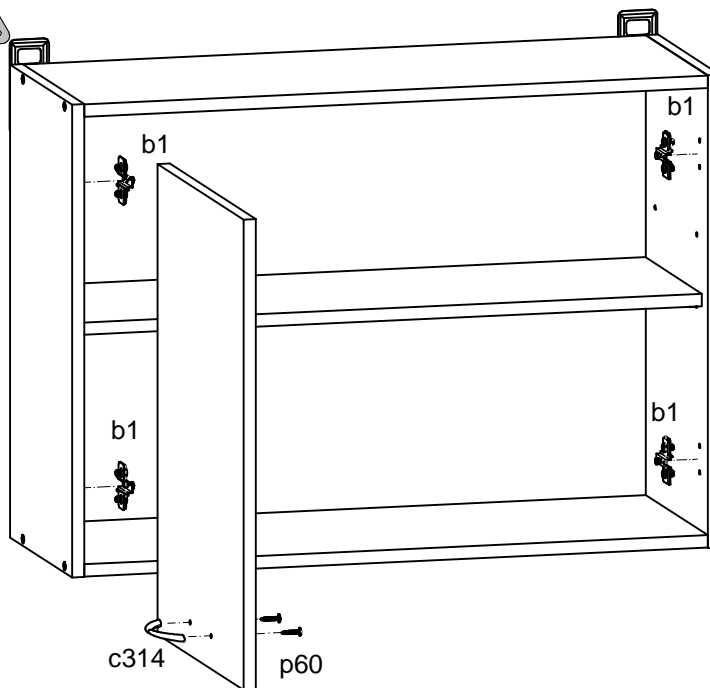
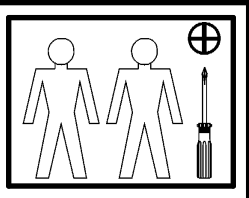
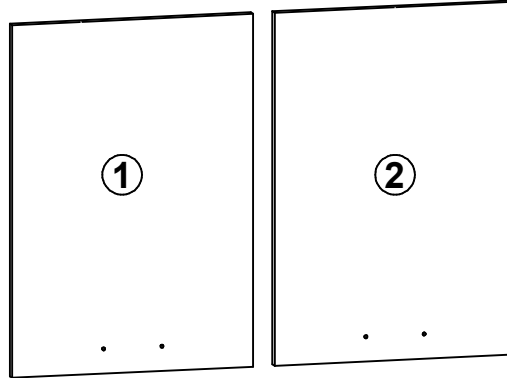
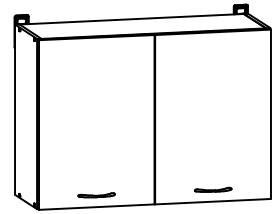


# Junona Line

K22-G2D/80/57

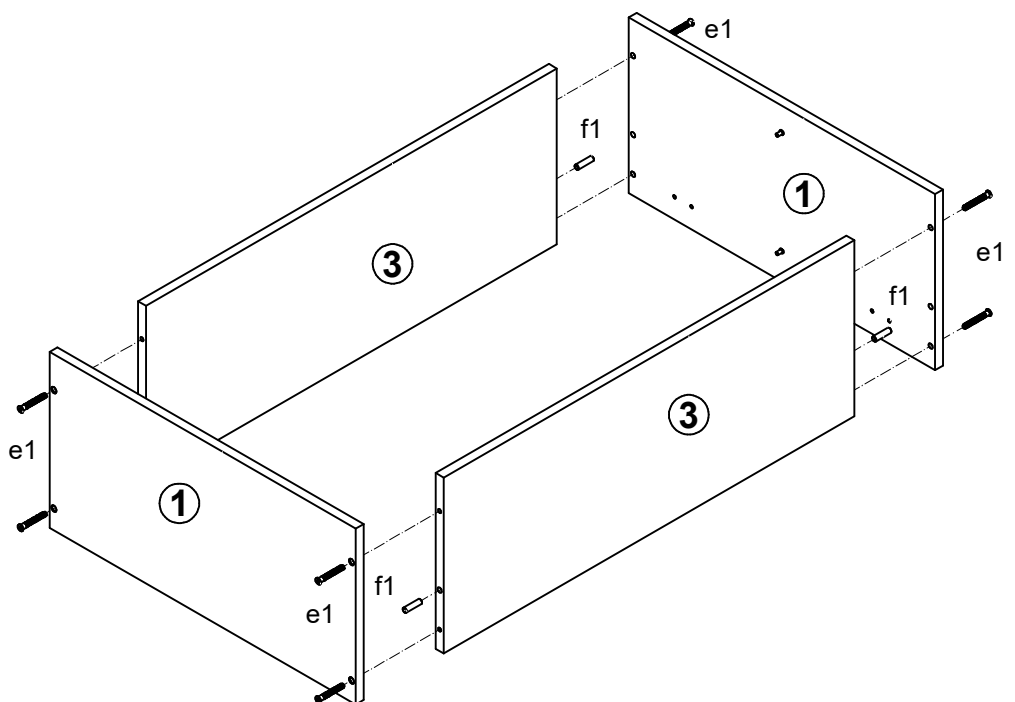
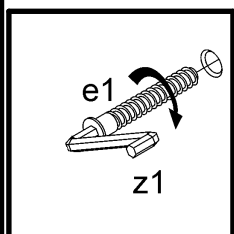
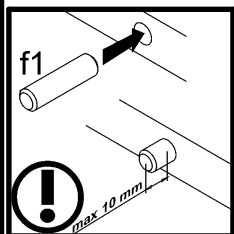
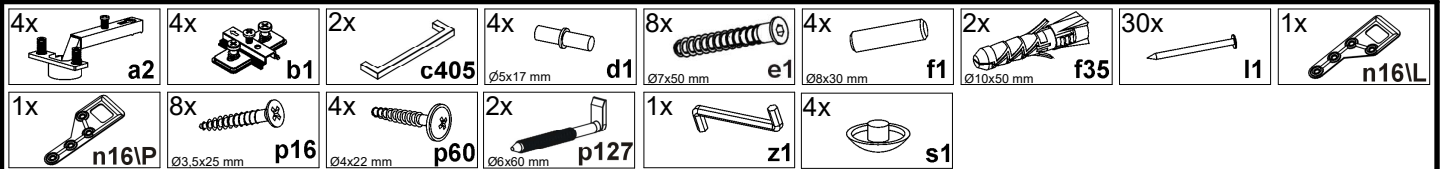
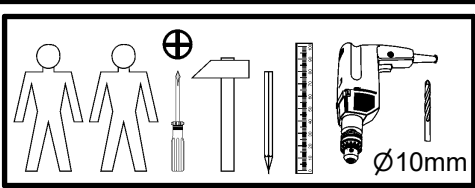
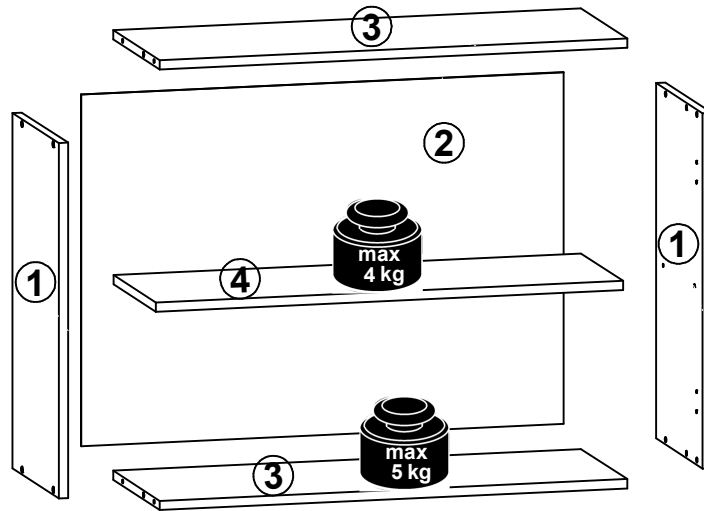
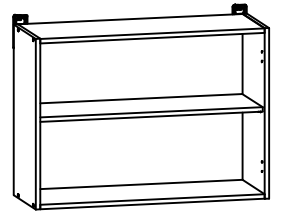
A	B	C	D
1	K22-008	396	570
2	K22-013	396	570



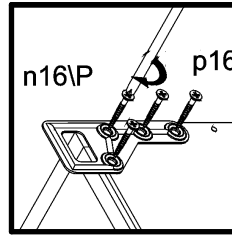
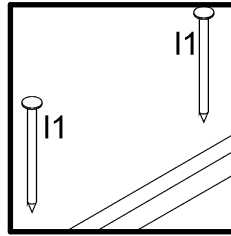
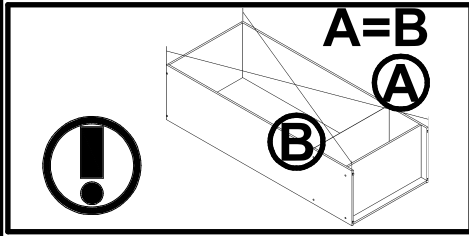
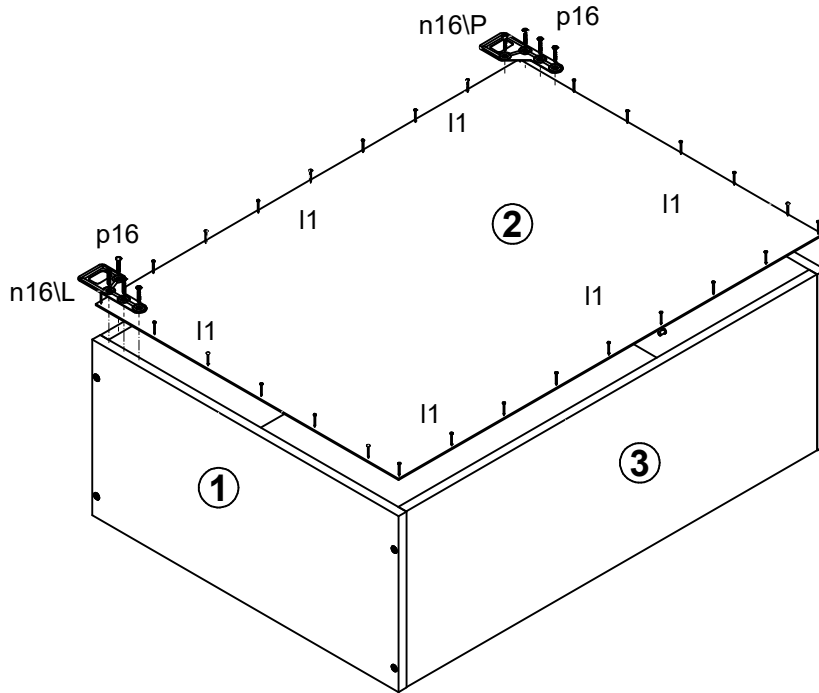
# Junona Line

K24-G2D/80/57

A	B	C	D	
1	K24-101	573	285	1/2
2	K22-919	567	793	1/2
3	K24-328	769	285	1/2
4	K24-329	768	260	1/2



**2** §6



**3**

