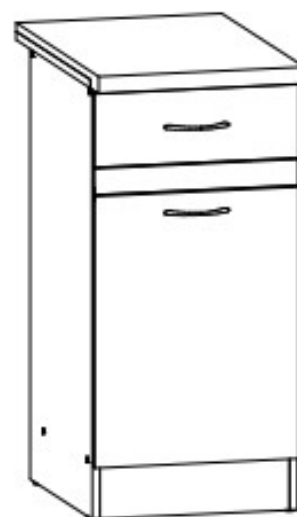
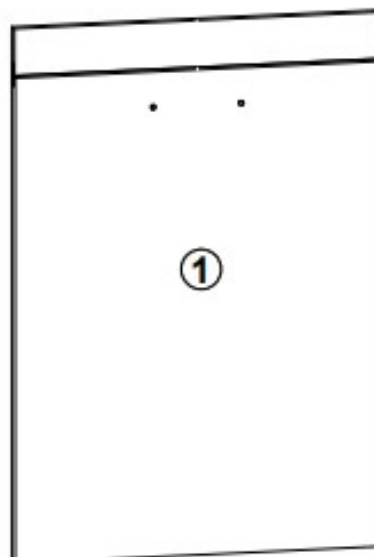
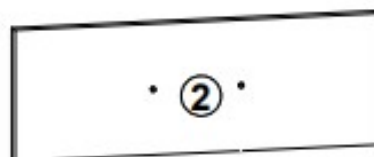
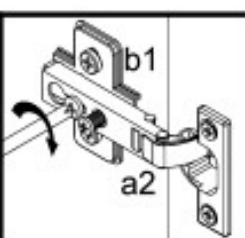
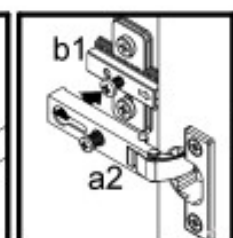
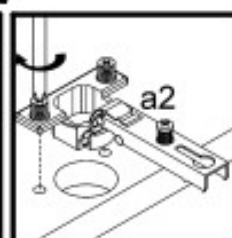
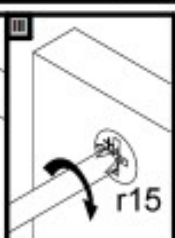
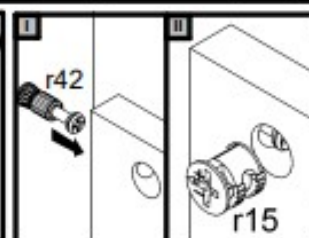
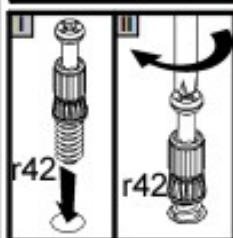
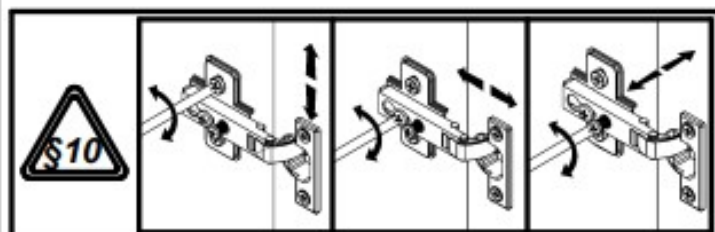
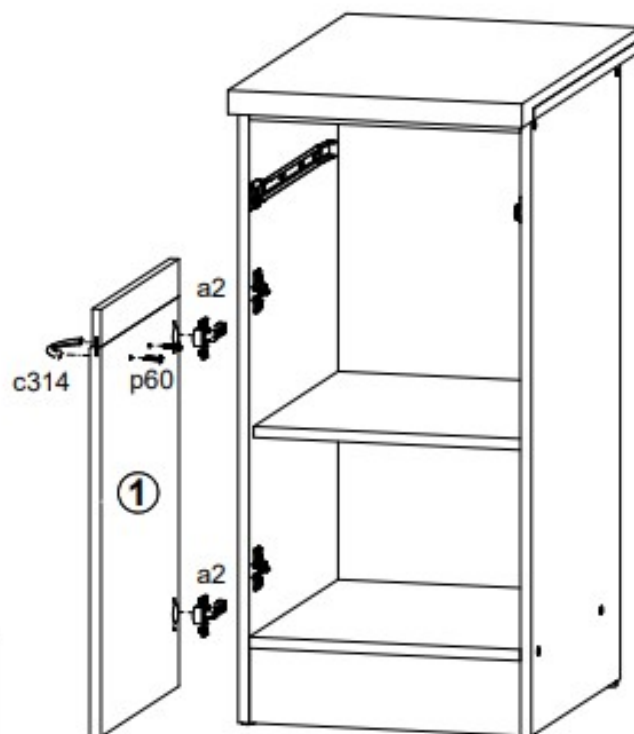
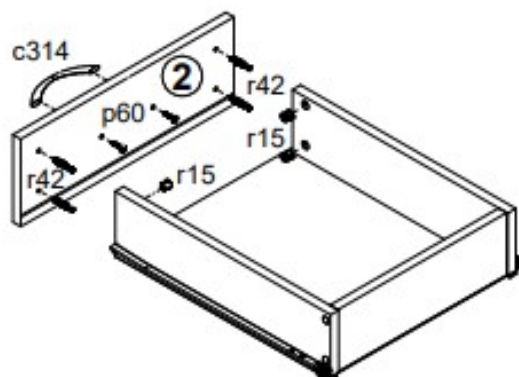


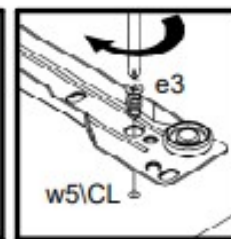
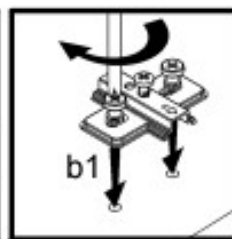
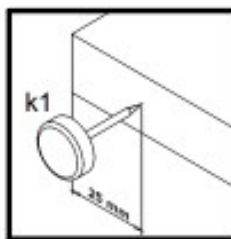
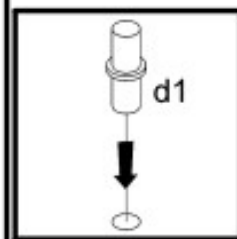
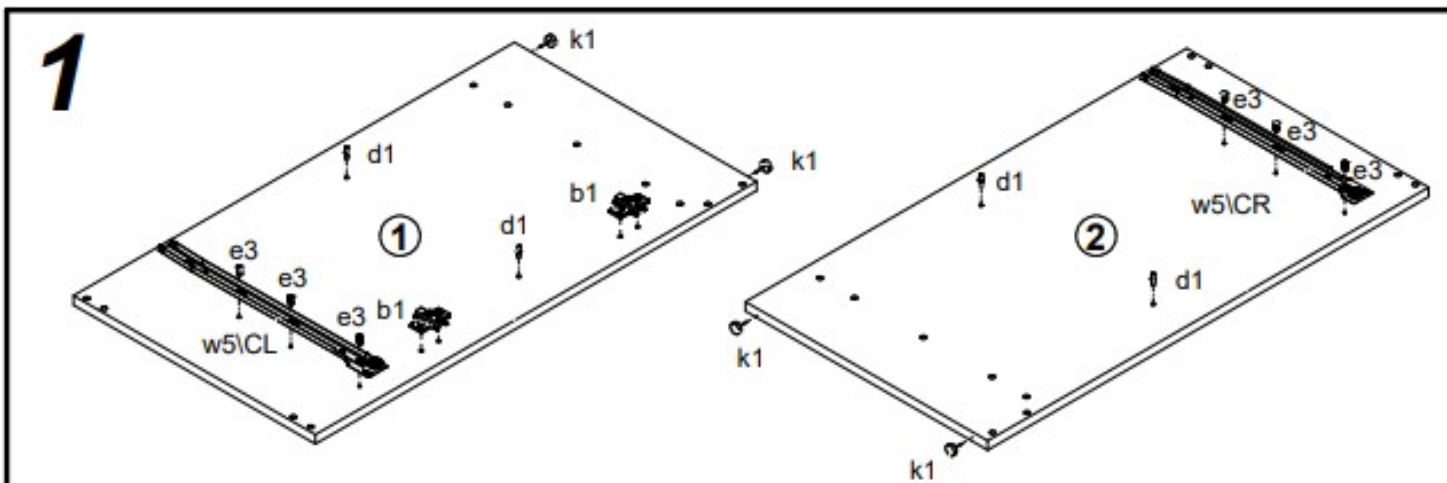
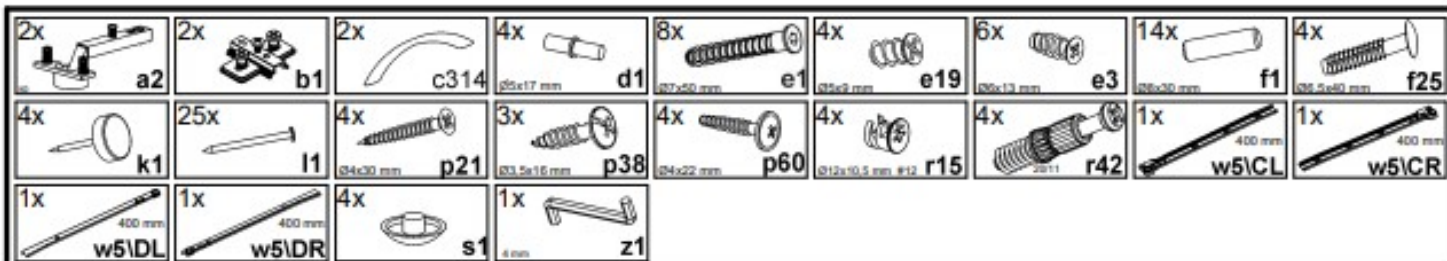
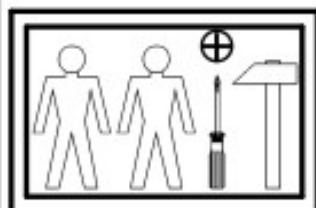
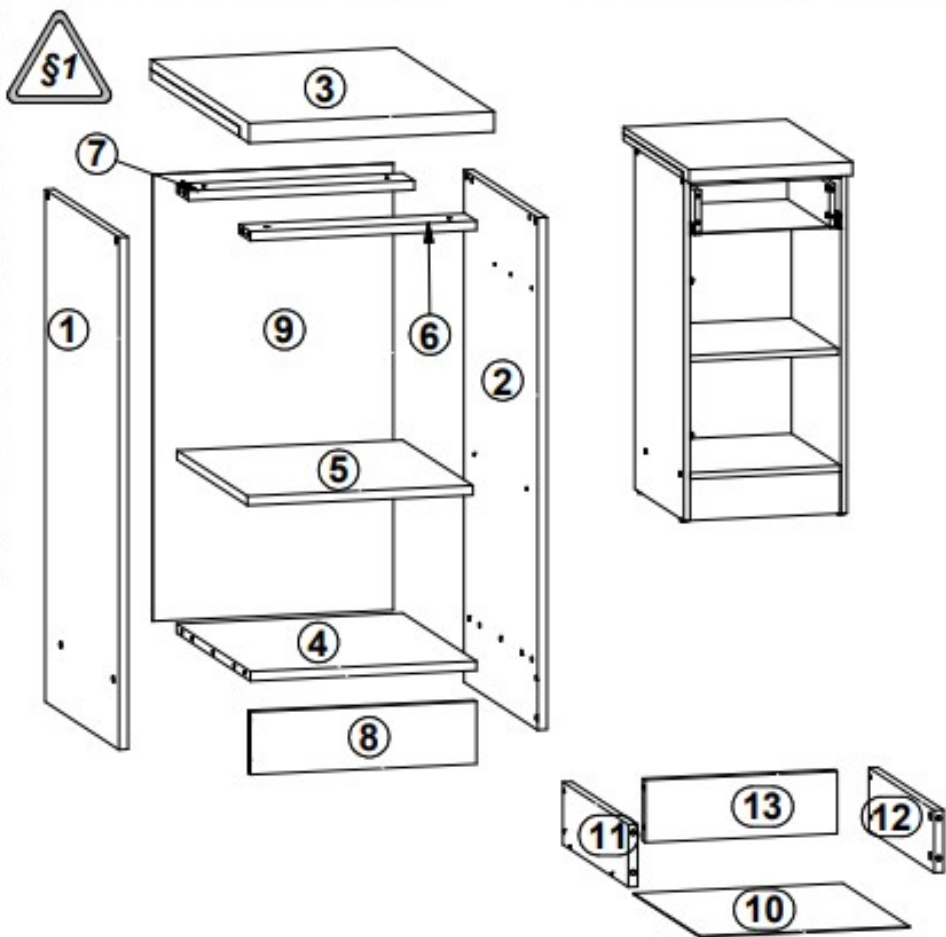
A	B	C	D
1	K22-024	396	570 3/3
2	K22-032	396	140 3/3



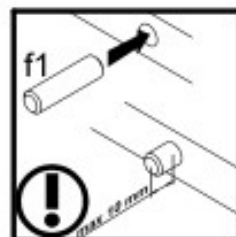
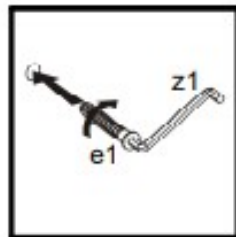
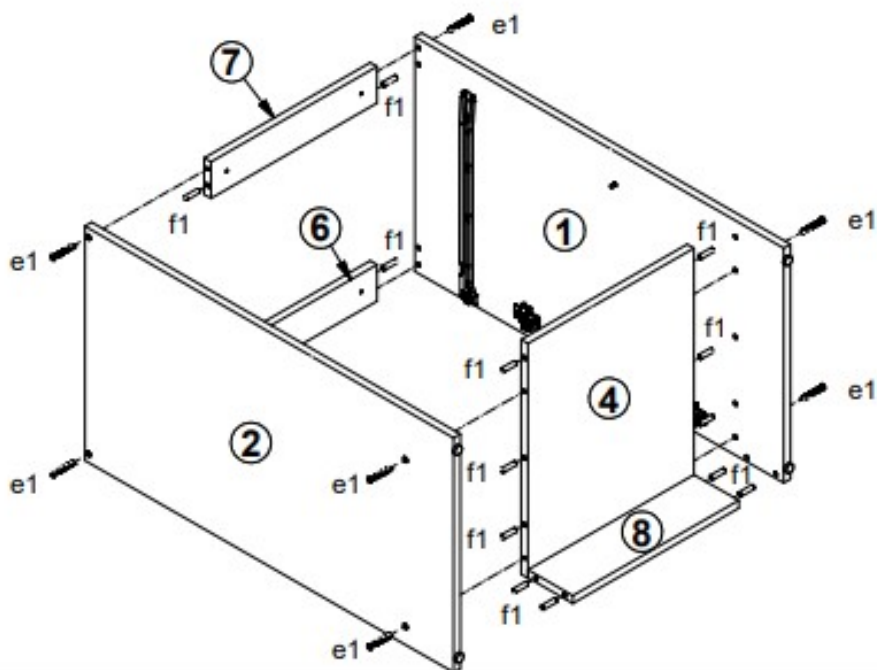
# 1



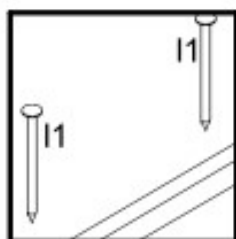
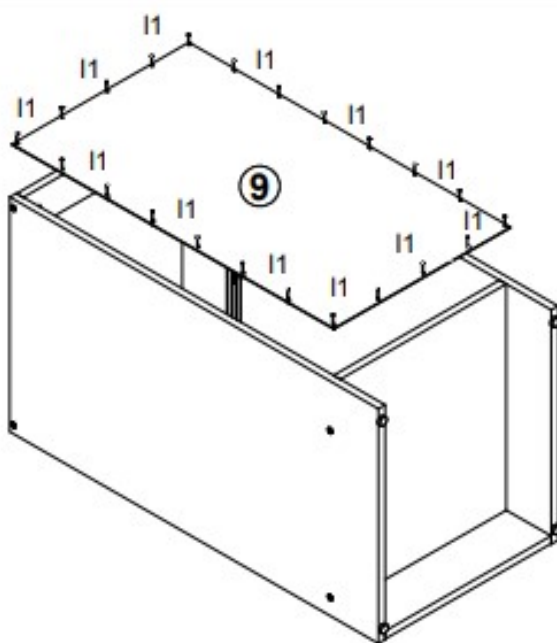
A	B	C	D
<b>Moduł A , A + A1</b>			
1	K22-103	820	450 1/3
2	K22-104	820	450 1/3
4	K22-307	369	450 1/3
5	K22-308	368	430 1/3
6	K22-411	369	70 2/3
7	K22-412	369	70 2/3
8	K22-413	369	100 2/3
9	K22-906	715	393 1/3
10	K22-922	406	342 1/3
11	K24-501	400	100 2/3
12	K24-502	400	100 2/3
13	ZS3-5527	314	100 2/3
<b>Moduł A + A1</b>			
3	K22-203	400	600 1/3



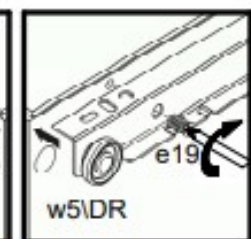
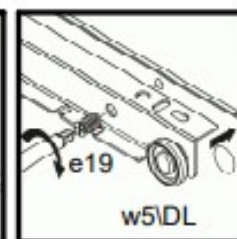
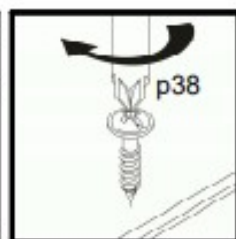
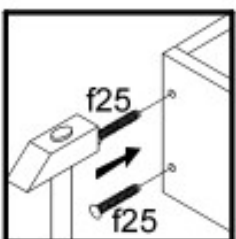
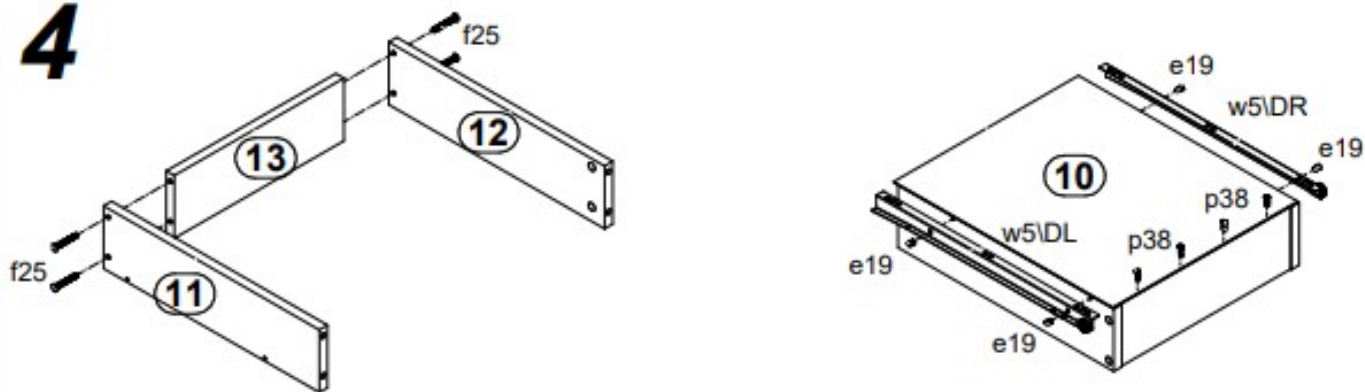
# 2



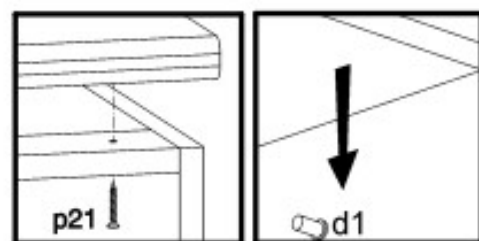
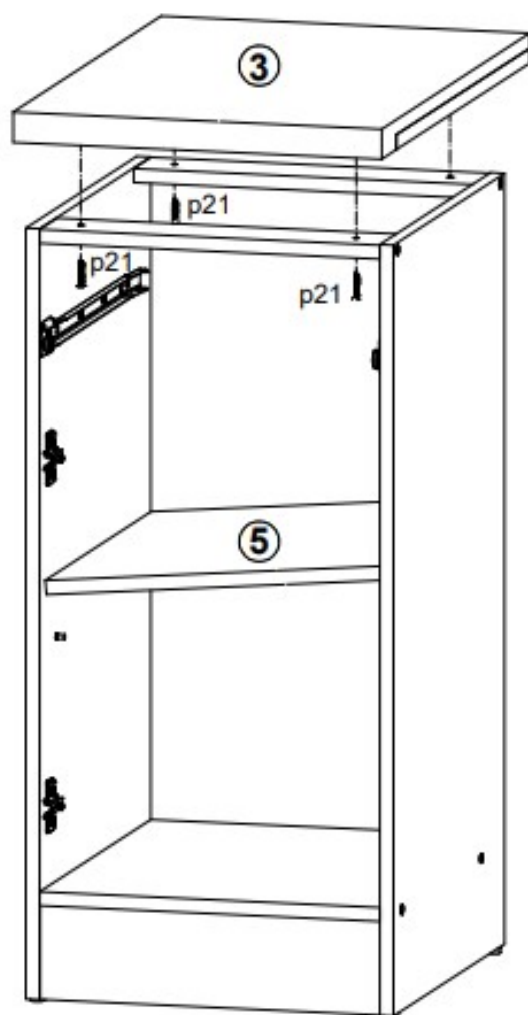
# 3



# 4



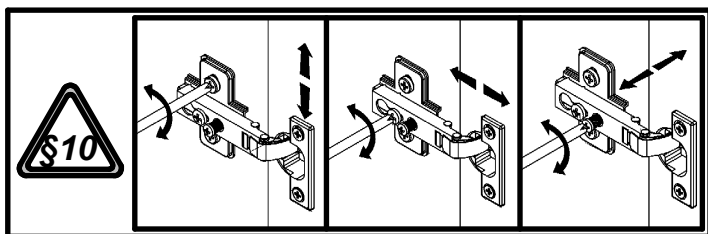
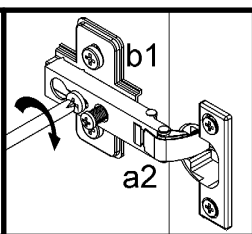
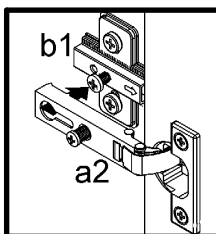
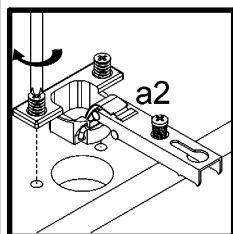
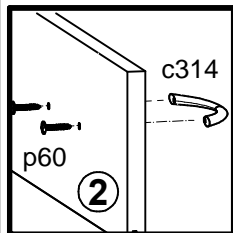
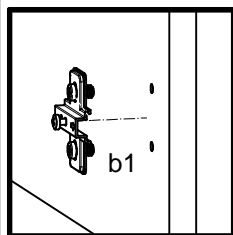
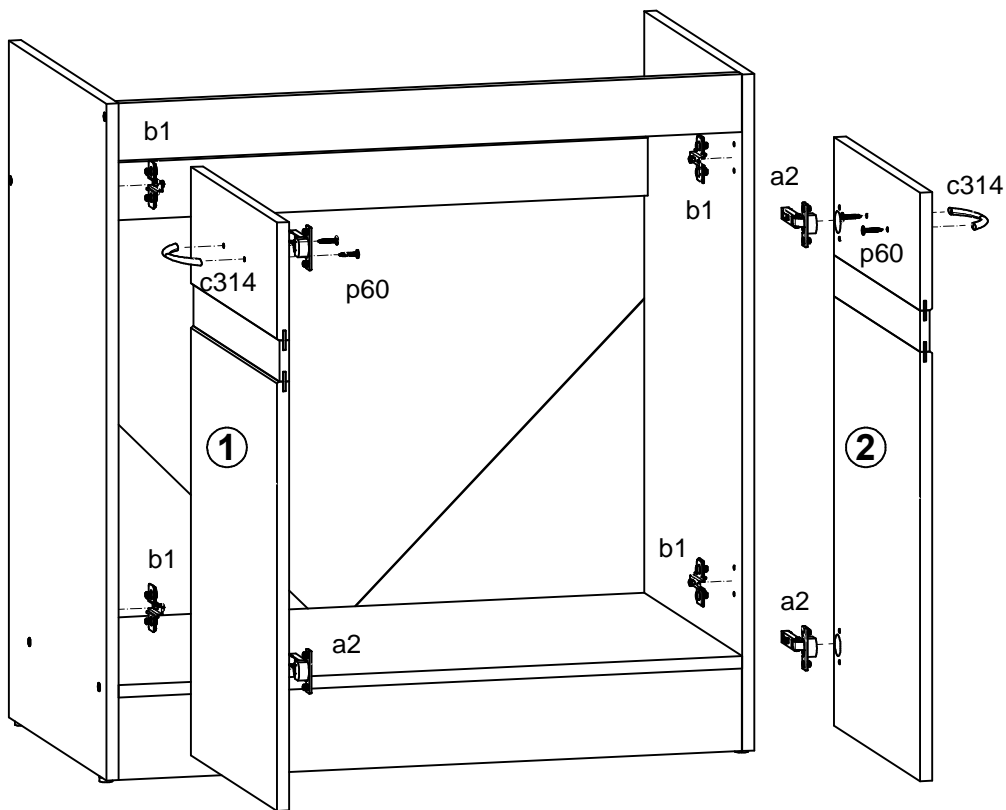
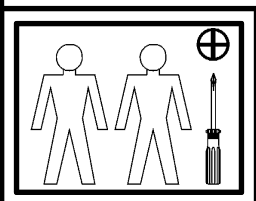
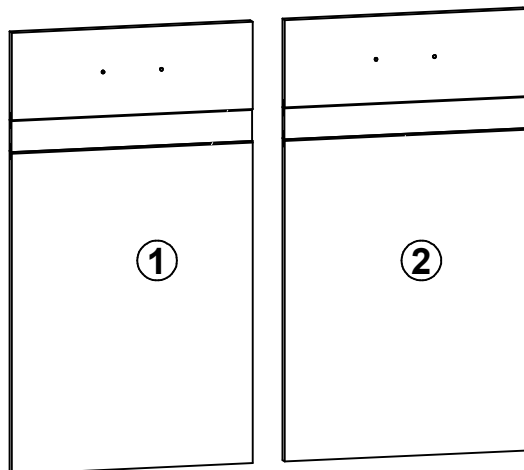
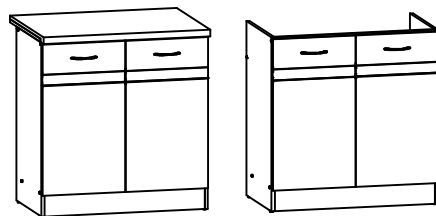
# 5



# Junona Line

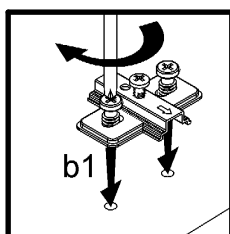
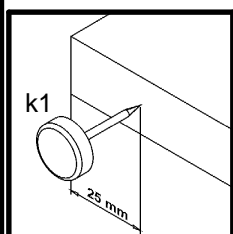
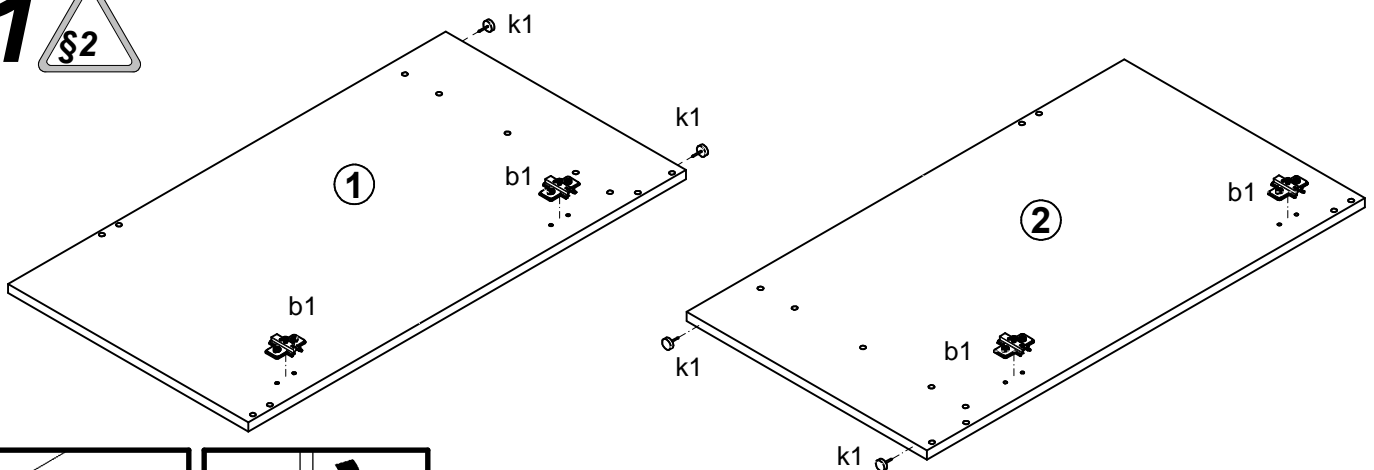
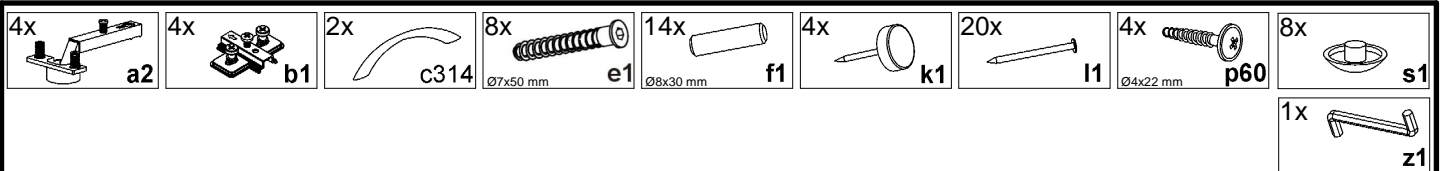
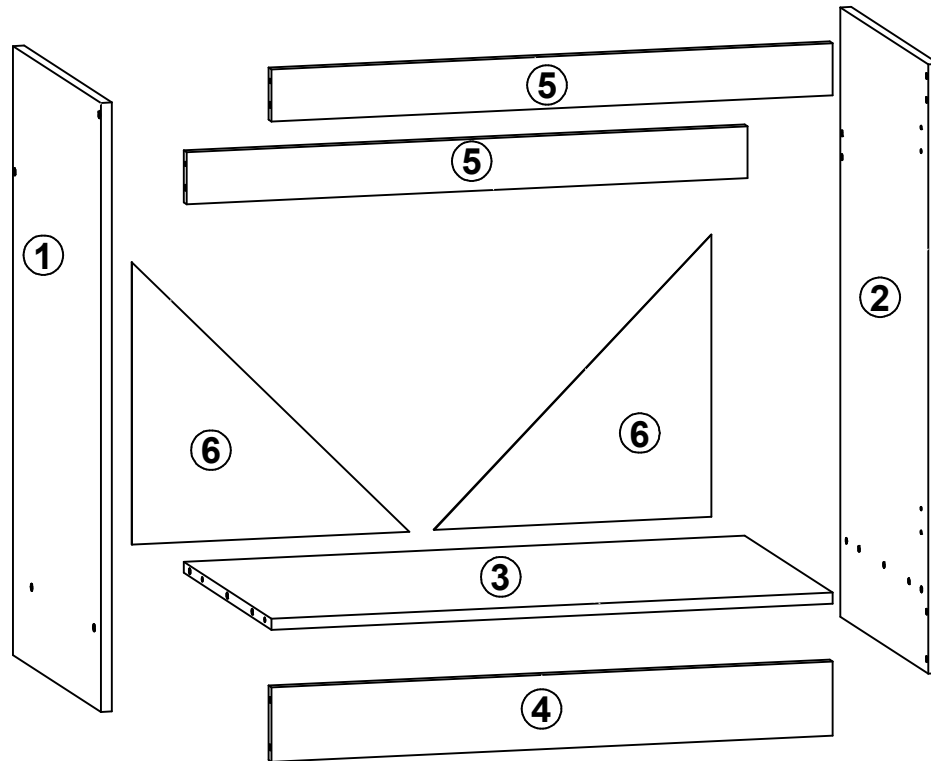
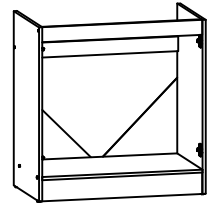
# K22-DK2D/80/82-frn K22-D2D/80/82-frn

A	B	C		D
1	K22-020	396	713	2/2
2	K22-021	396	713	2/2

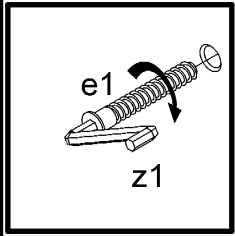
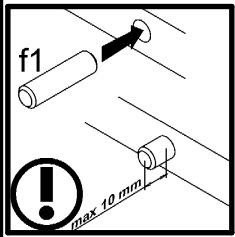
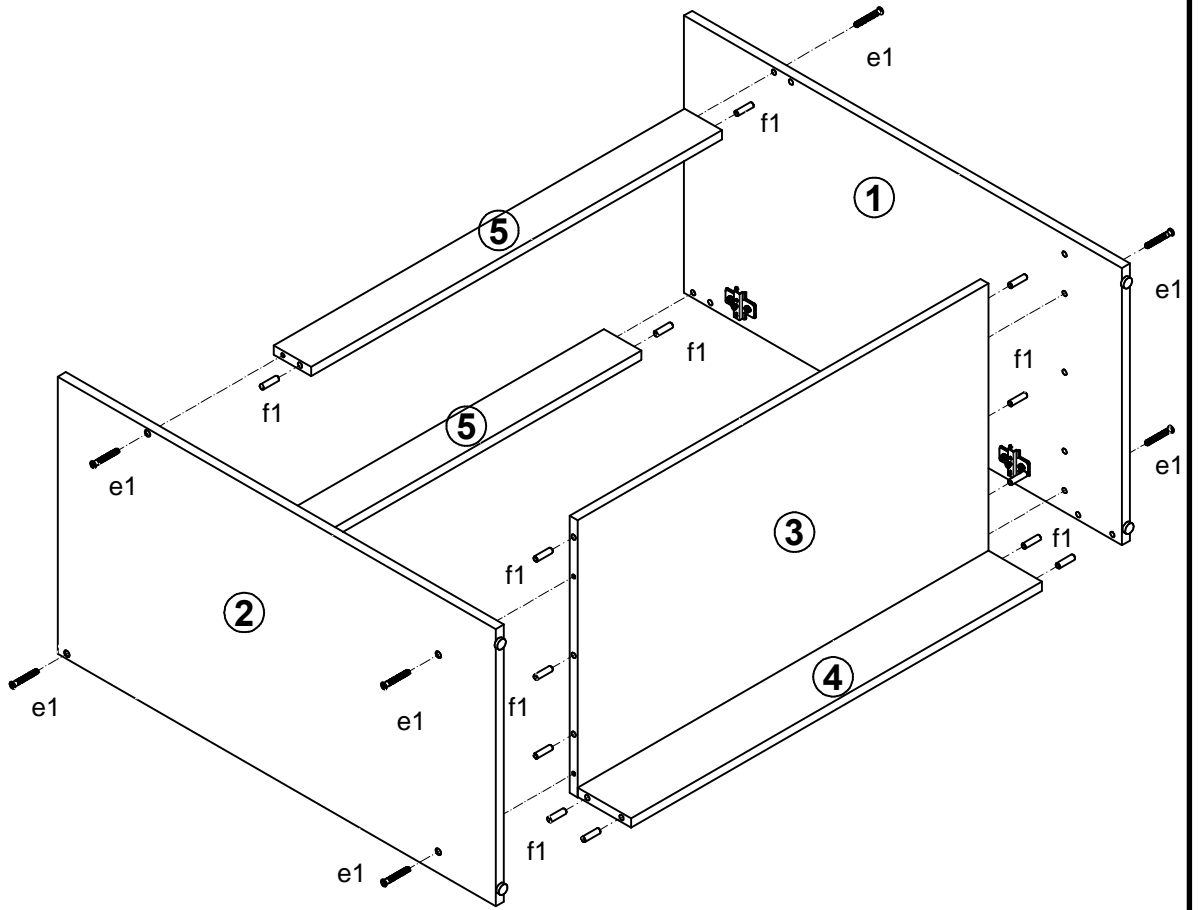


# K22-DK2D/80/82

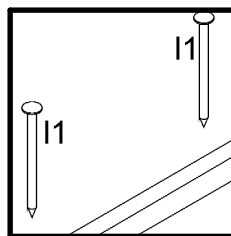
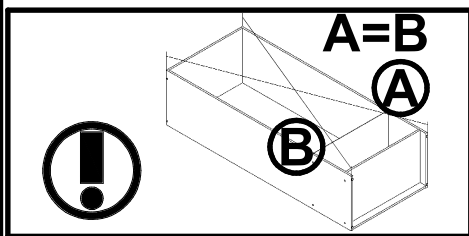
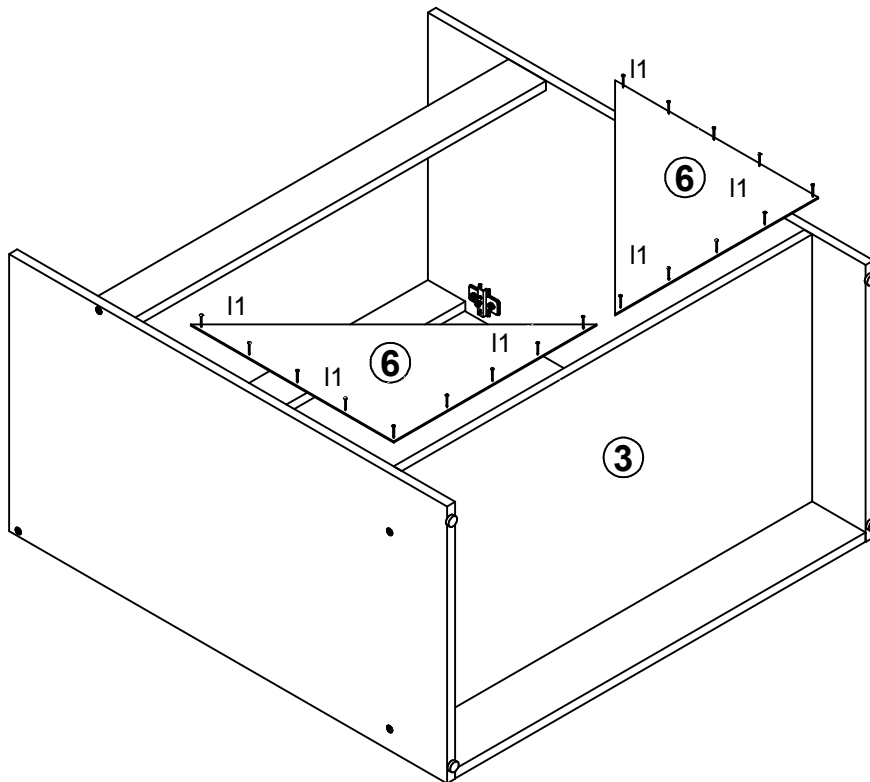
A	B	C	D
1	K22-116	820	450 1/2
2	K22-117	820	450 1/2
3	K22-327	769	450 1/2
4	K22-417	769	100 1/2
5	K22-418	769	70 1/2
6	K22-918	380	380 1/2



**2** 



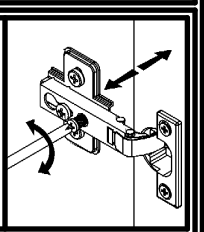
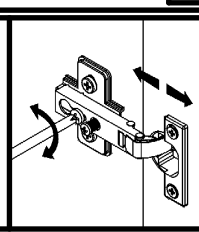
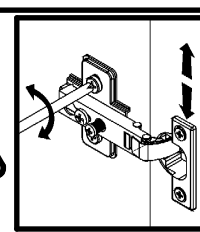
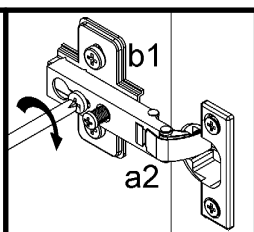
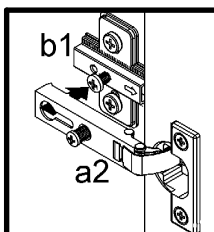
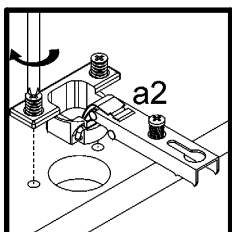
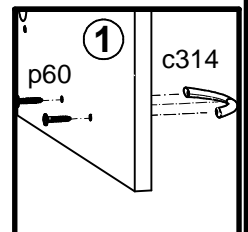
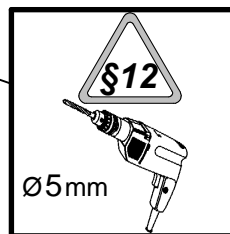
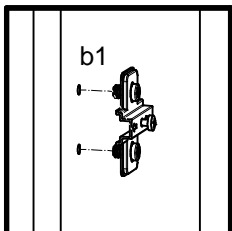
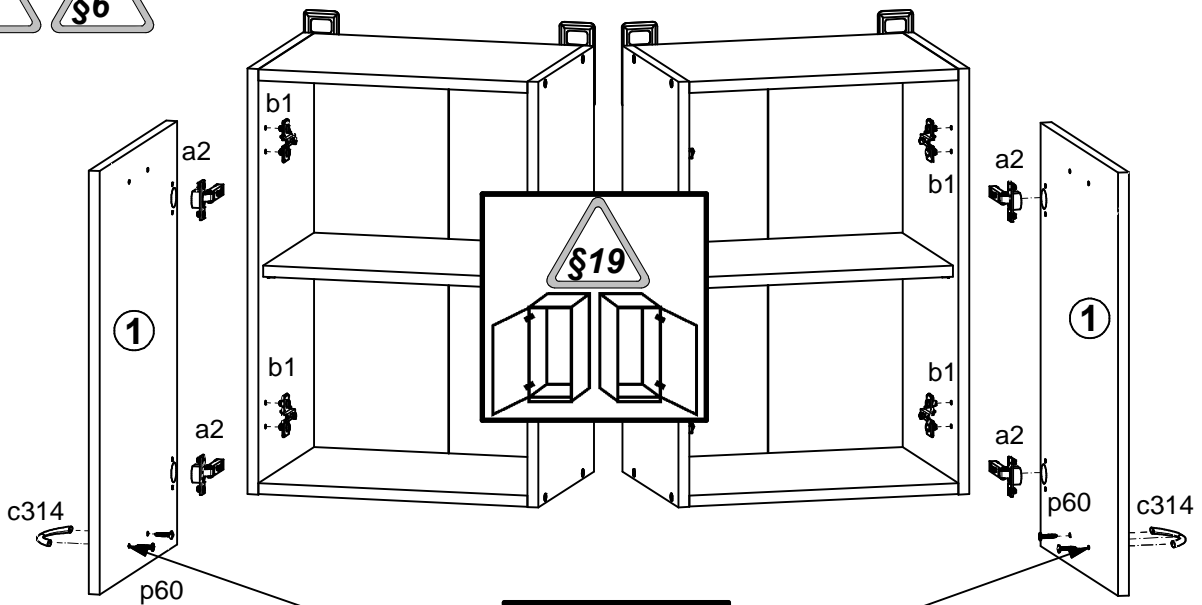
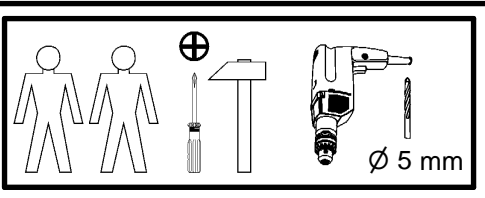
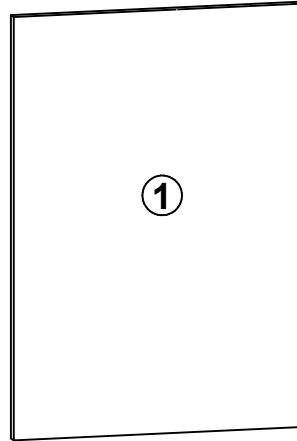
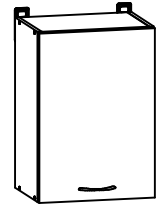
**3**



# Junona Line

K22-G1D/40/57-LP

A	B	C	D
1	K22-029	396	570
			2/2

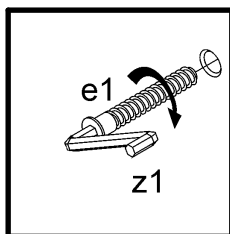
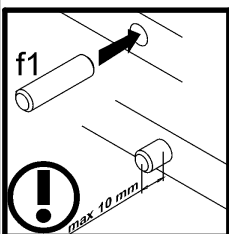
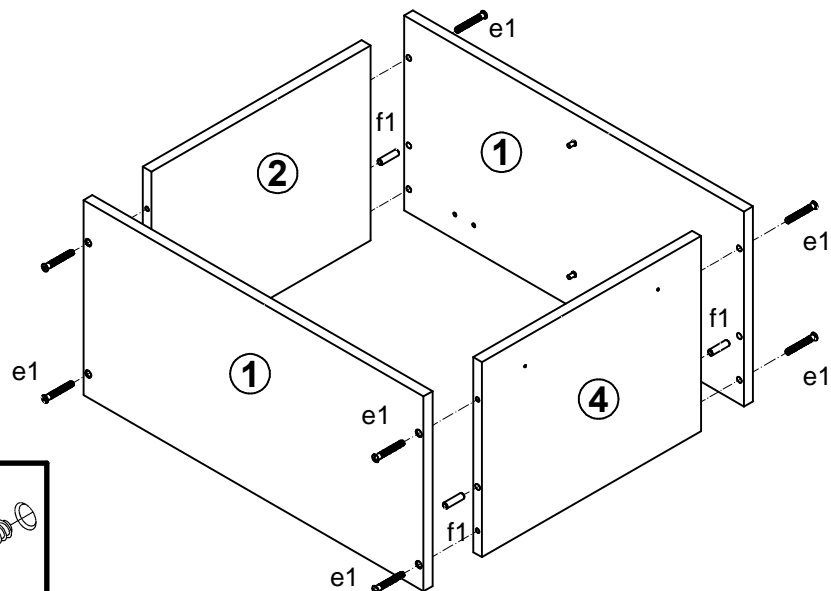
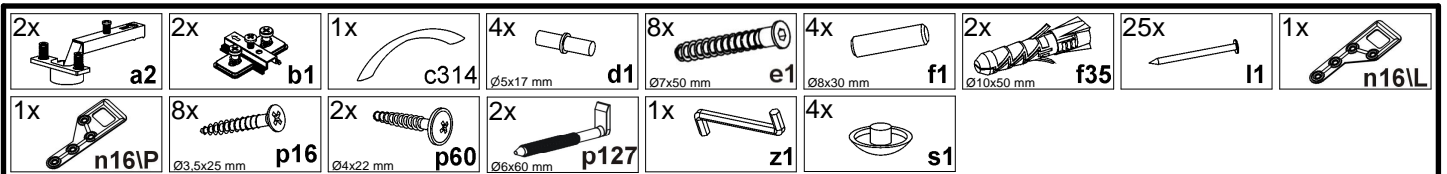
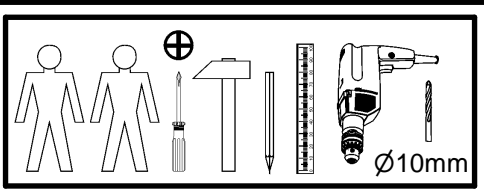
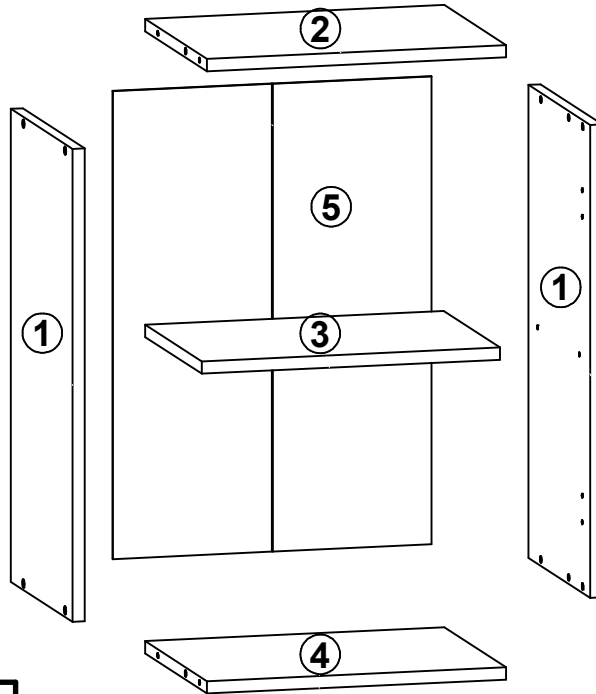
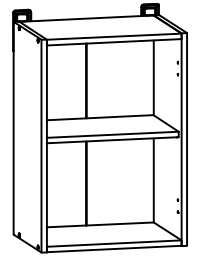




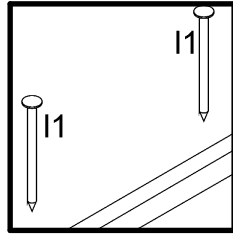
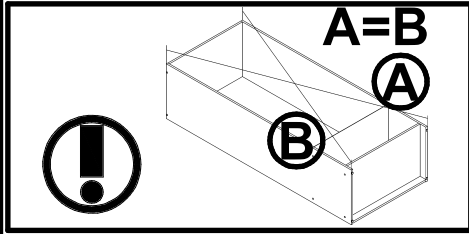
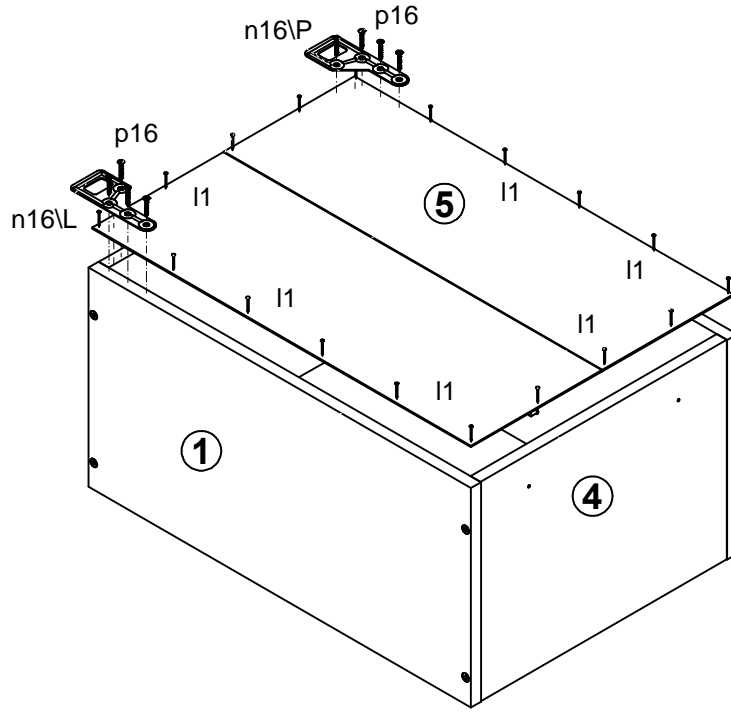
# Junona Line

# K22-G1D/40/57-LP

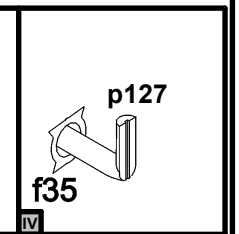
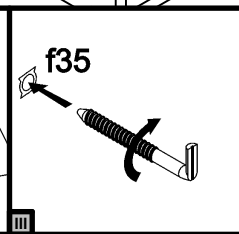
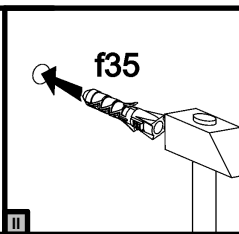
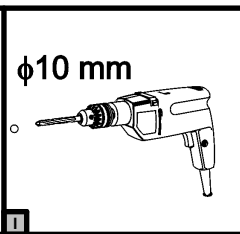
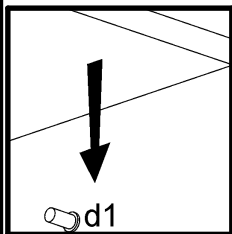
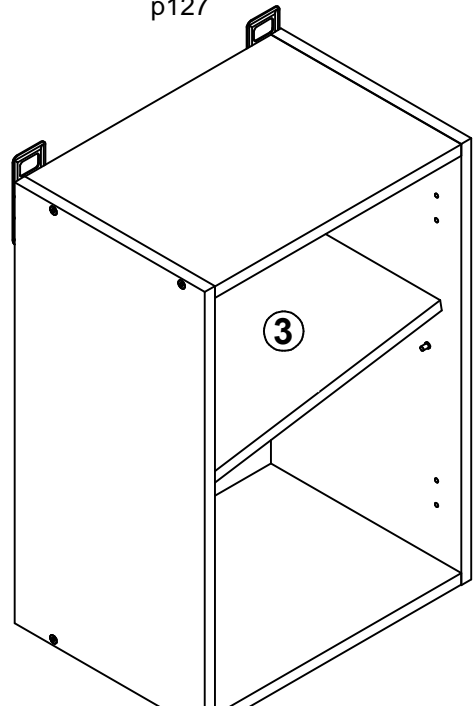
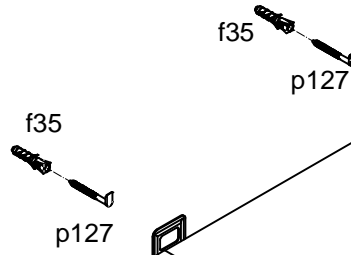
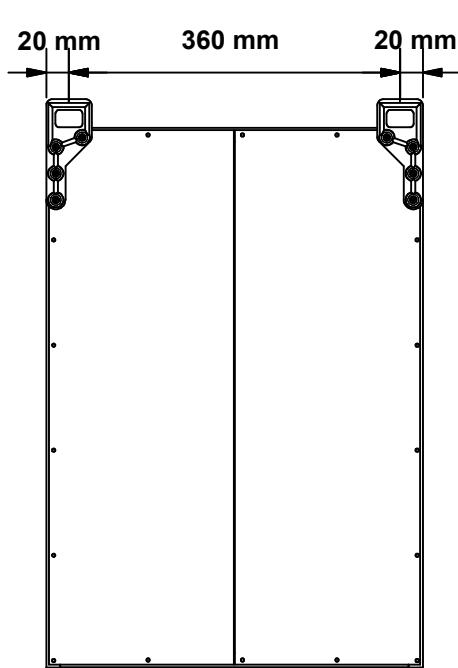
A	B	C	D
1	K22-101	573	285
2	K22-311	369	285
3	K22-312	368	260
4	K22-323	369	285
5	K22-908	567	393



**2** §6



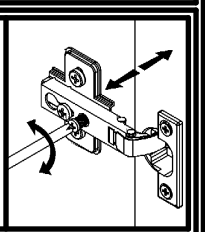
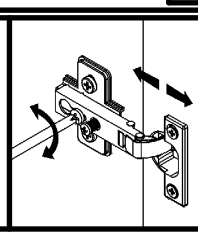
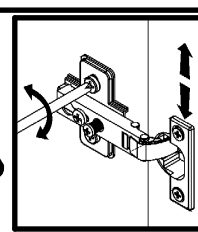
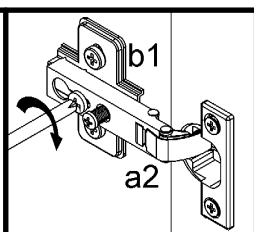
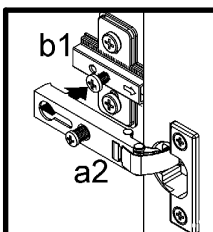
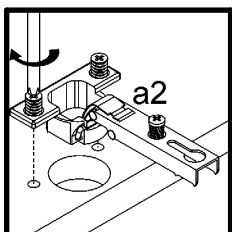
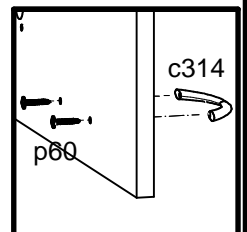
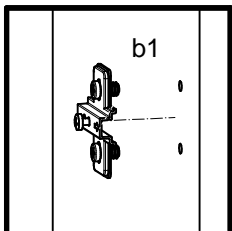
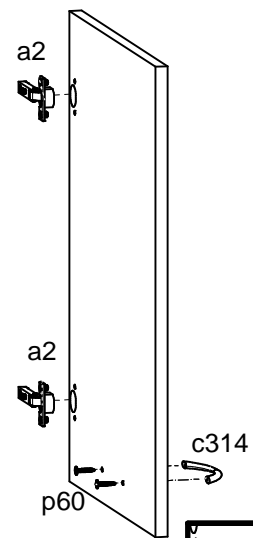
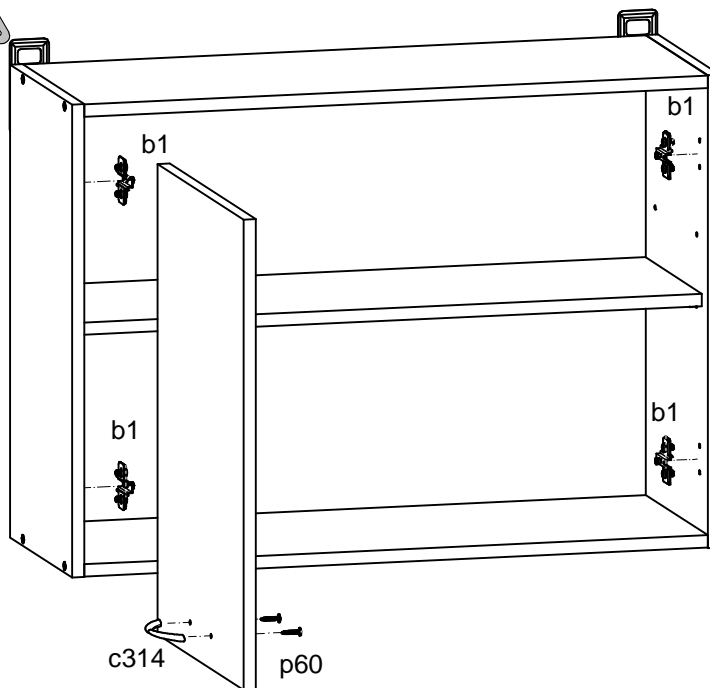
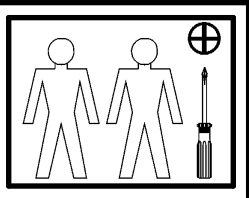
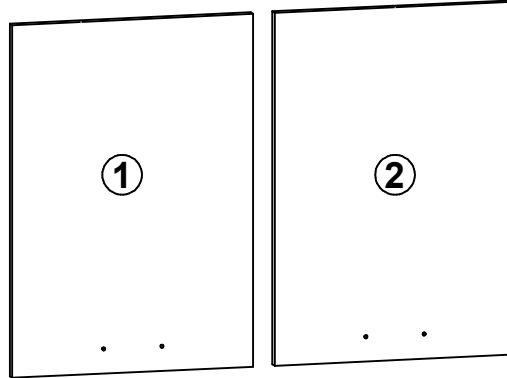
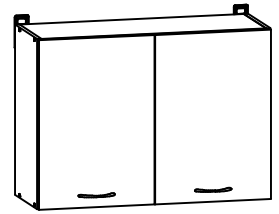
**3**



# Junona Line

K22-G2D/80/57

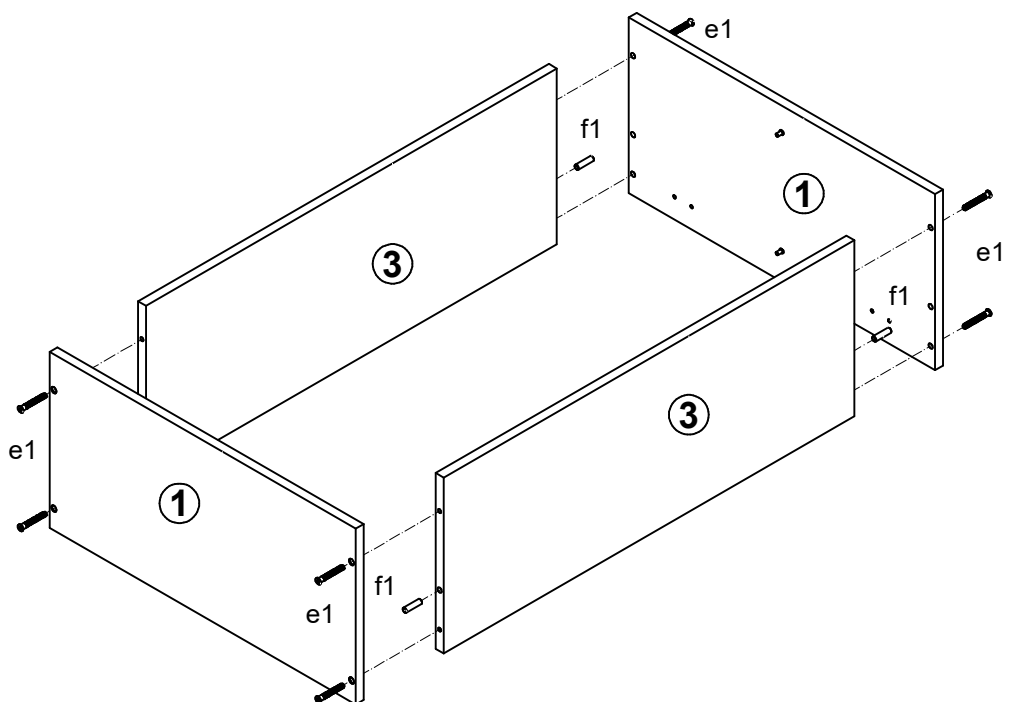
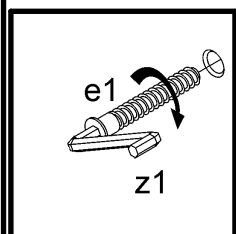
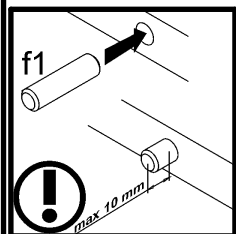
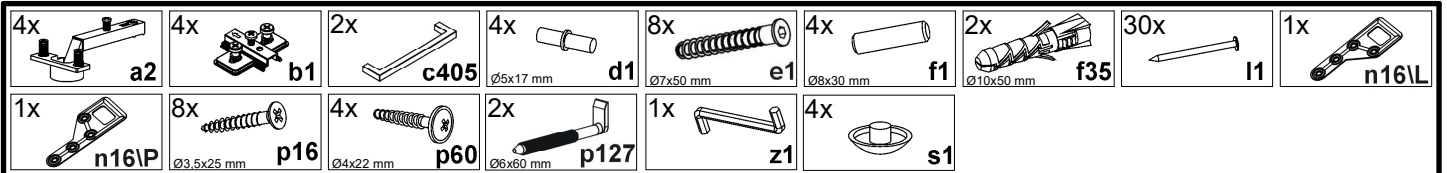
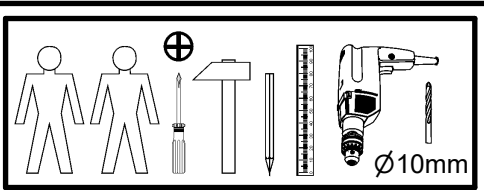
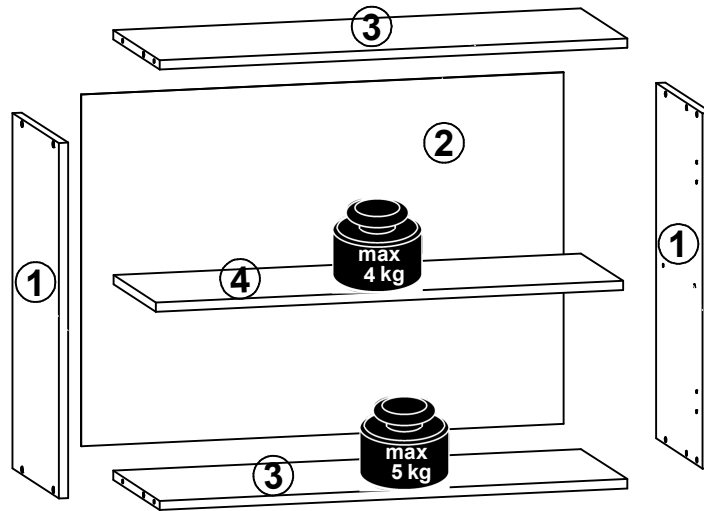
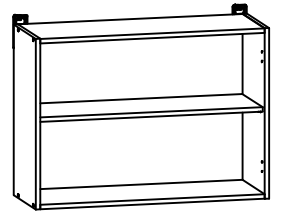
A	B	C	D
1	K22-008	396	570
2	K22-013	396	570



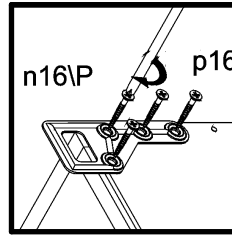
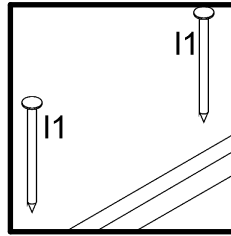
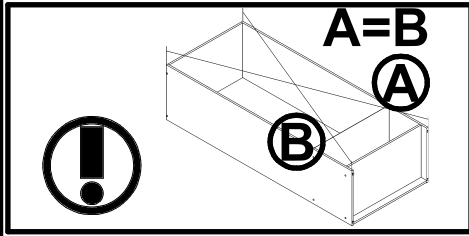
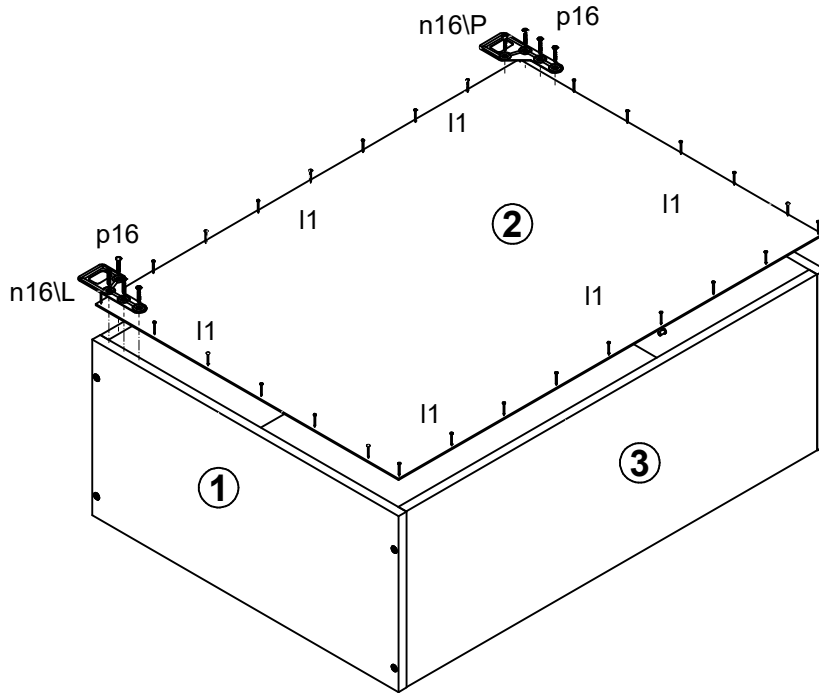
# Junona Line

K24-G2D/80/57

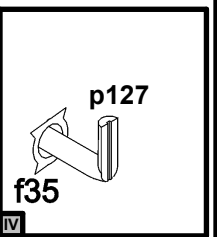
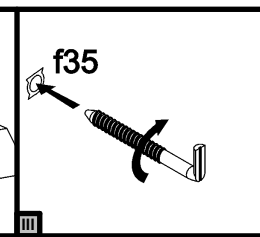
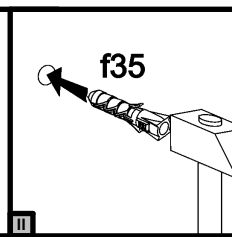
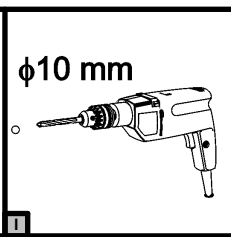
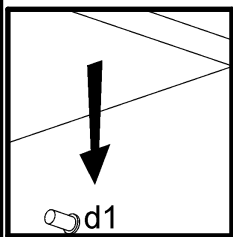
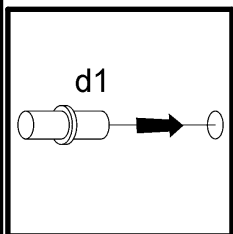
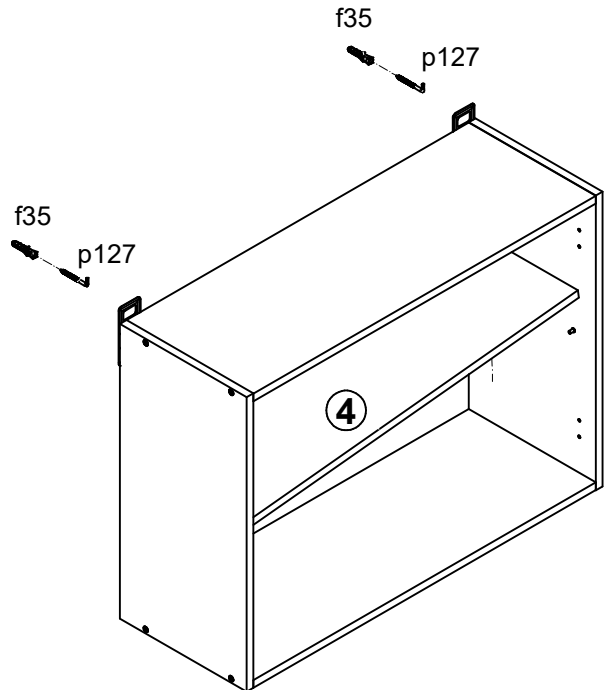
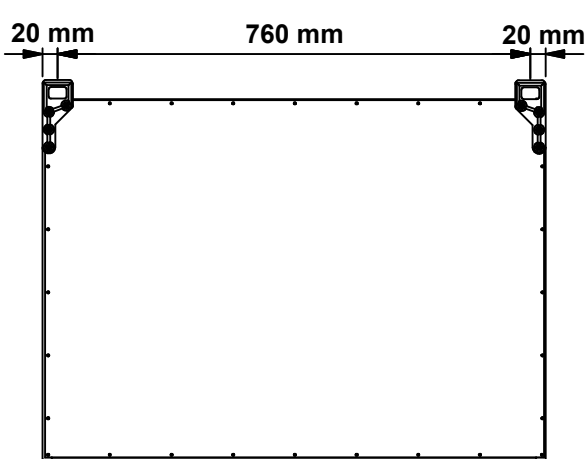
A	B	C	D
1	K24-101	573	285
2	K22-919	567	793
3	K24-328	769	285
4	K24-329	768	260



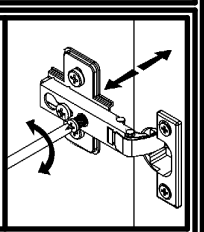
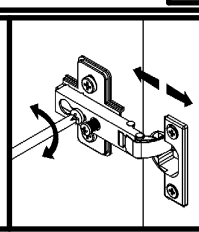
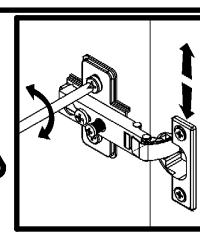
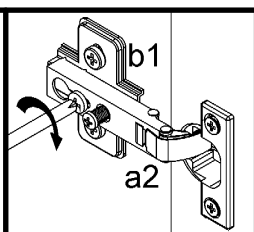
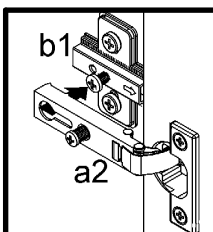
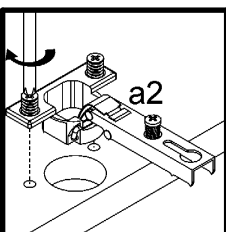
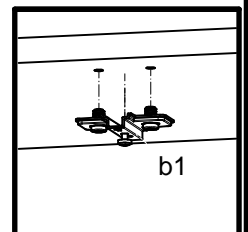
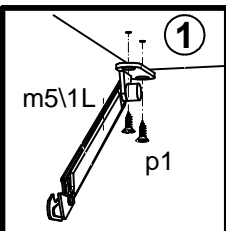
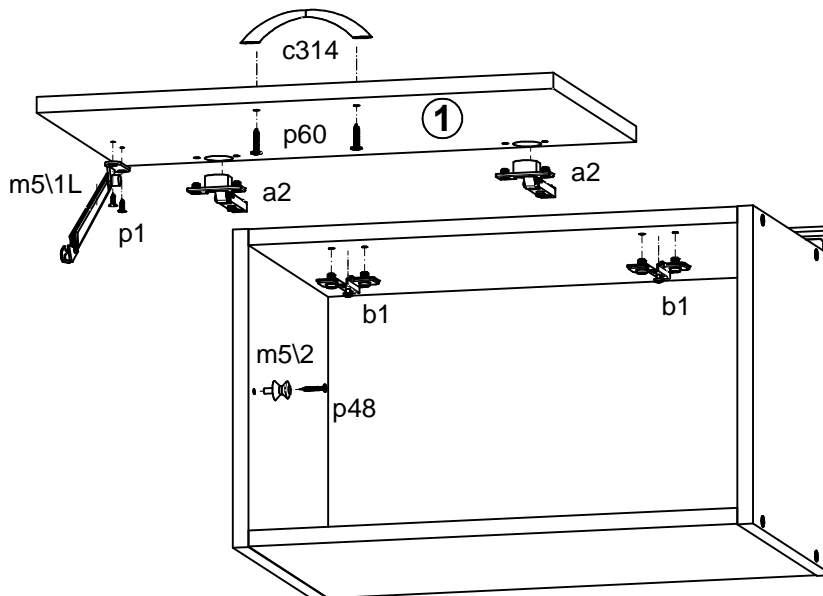
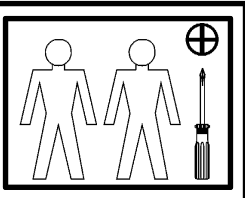
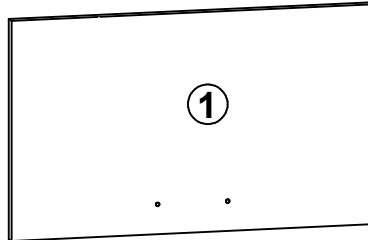
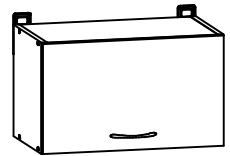
**2** §6



**3**



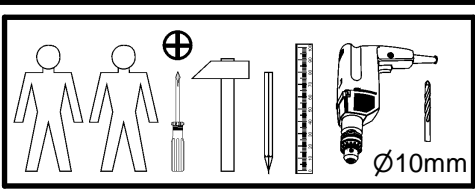
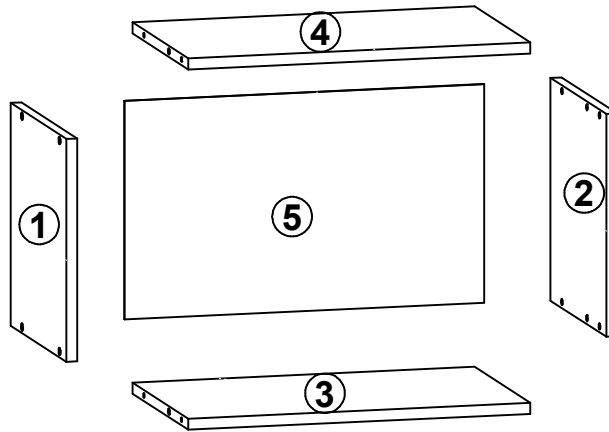
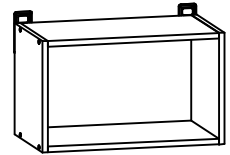
A	B	C	D
1	K22-035	496	296 2/2



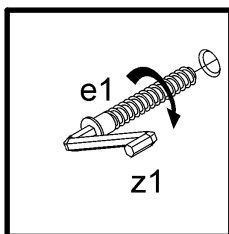
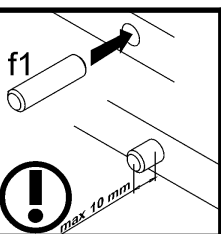
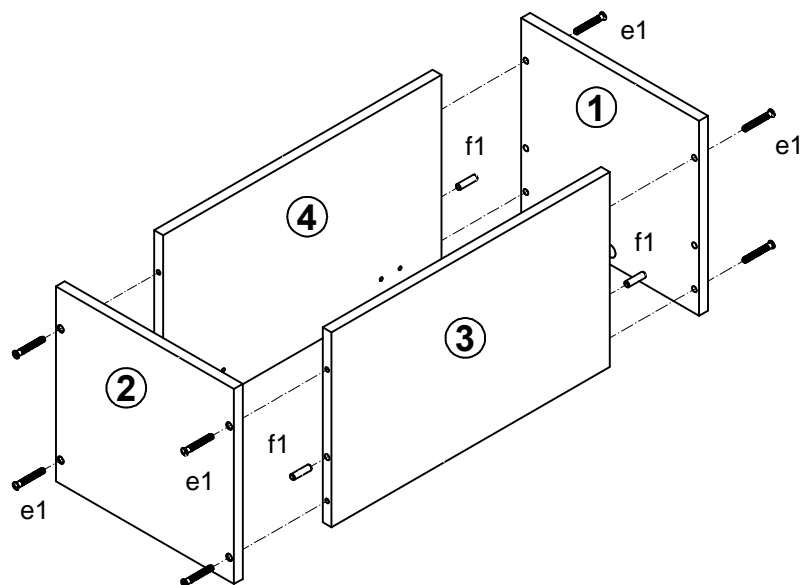
# Junona Line

K22-GO/50/30

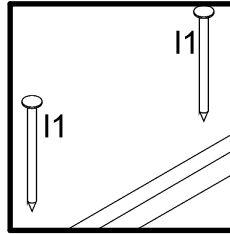
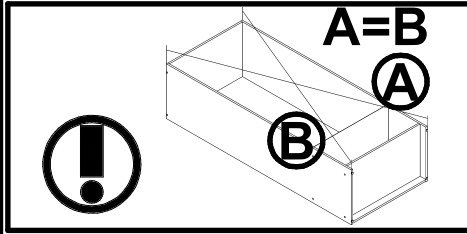
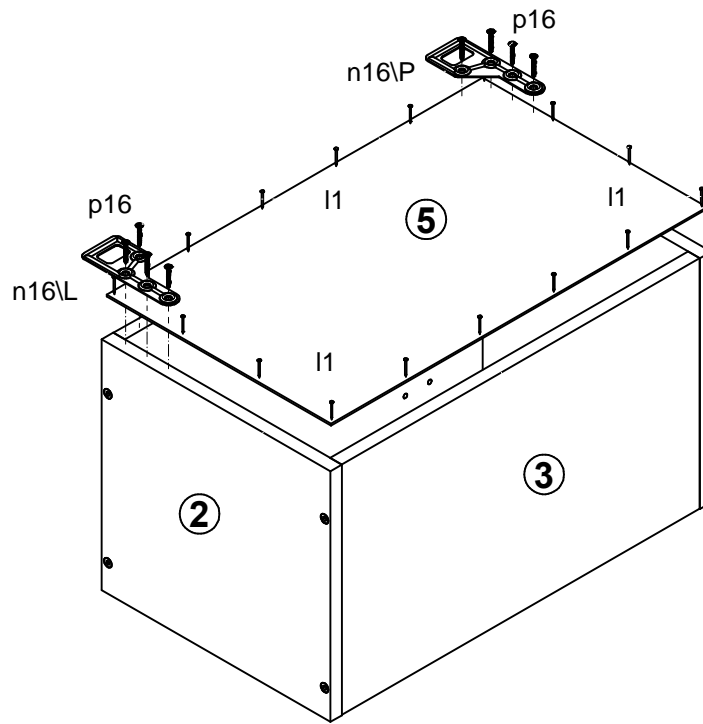
A	B	C	D	
1	K22-118	300	285	1/2
2	K22-119	300	285	1/2
3	K22-334	469	285	1/2
4	K22-335	469	285	1/2
5	K22-924	493	294	1/2



2x 	2x 	1x 	8x  Ø7x50 mm	4x  Ø8x30 mm	2x  Ø10x50 mm	20x 	1x 	1x 
1x 	1x 	2x  Ø3.5x13 mm	8x  Ø3.5x25 mm	2x  Ø4x22 mm	2x  Ø6x60 mm	1x  Ø3x25 mm	1x 	4x 



**2** §6



**3**

