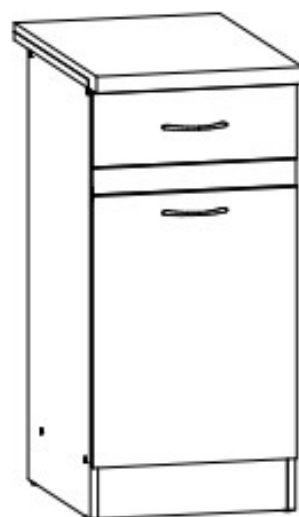
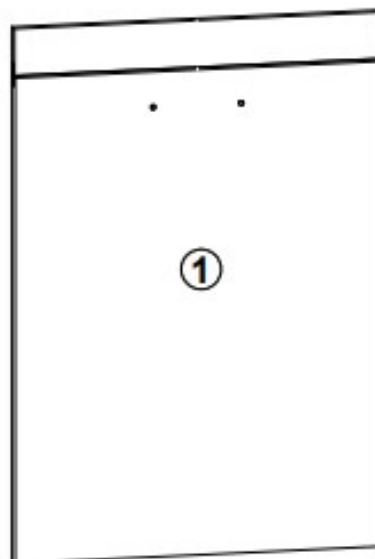
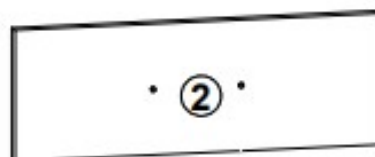
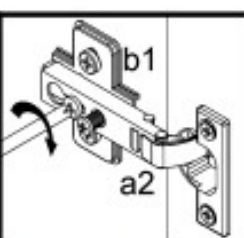
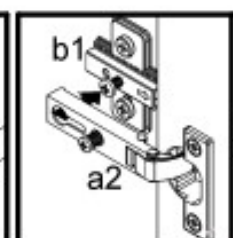
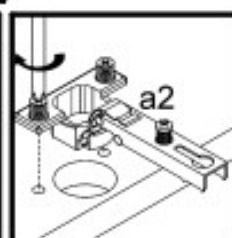
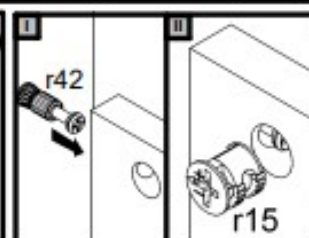
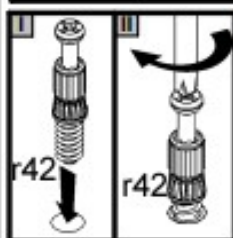
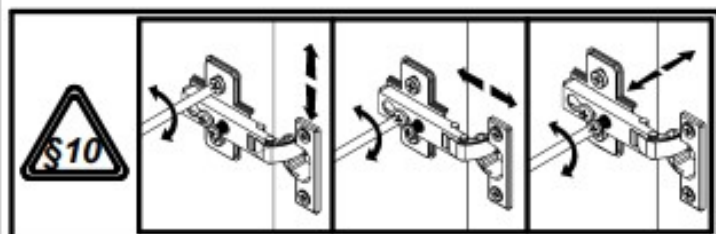
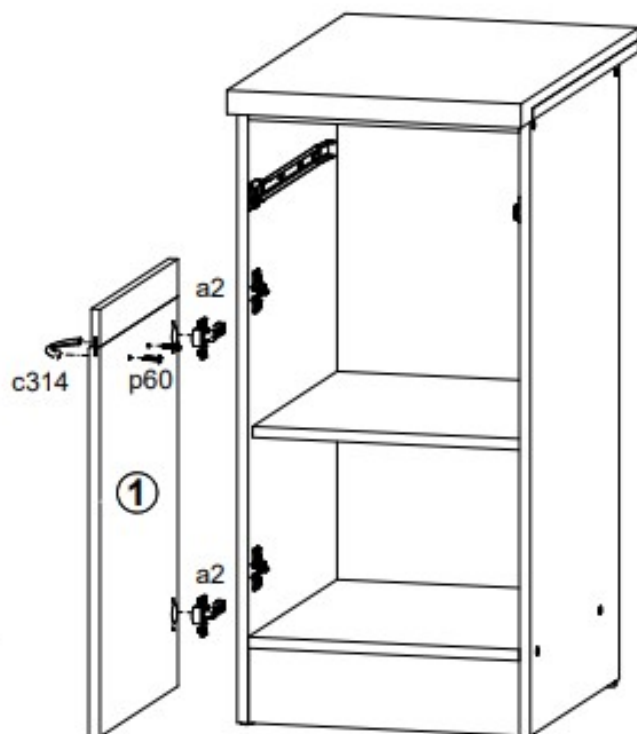
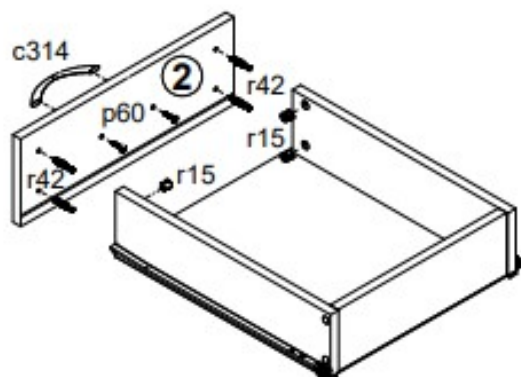


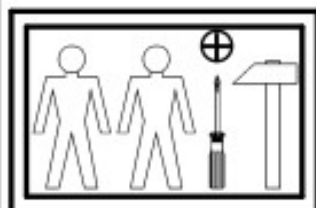
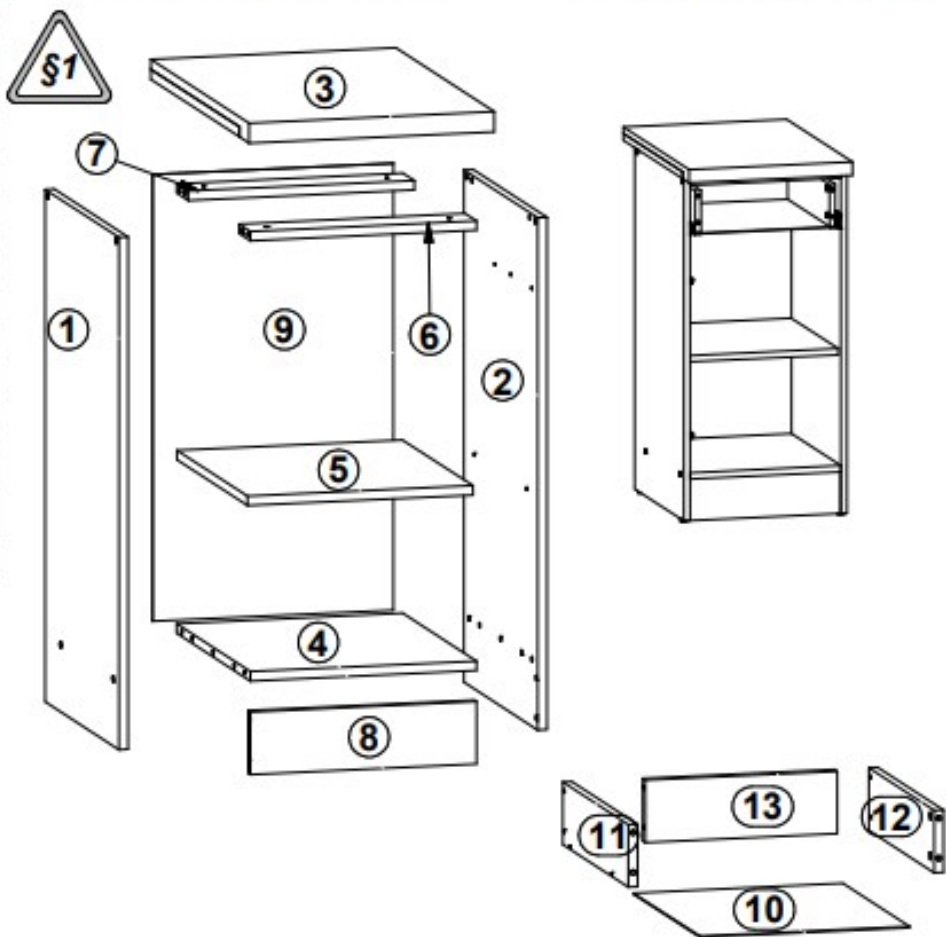
A	B	C	D
1	K22-024	396	570 3/3
2	K22-032	396	140 3/3



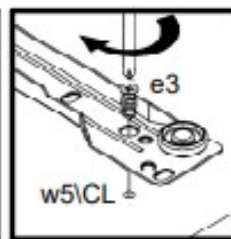
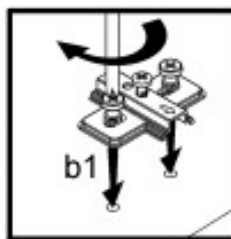
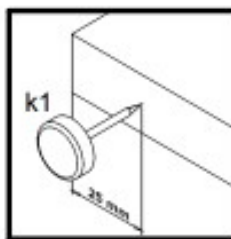
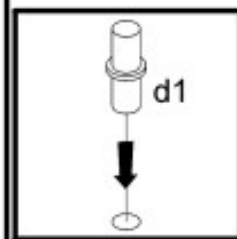
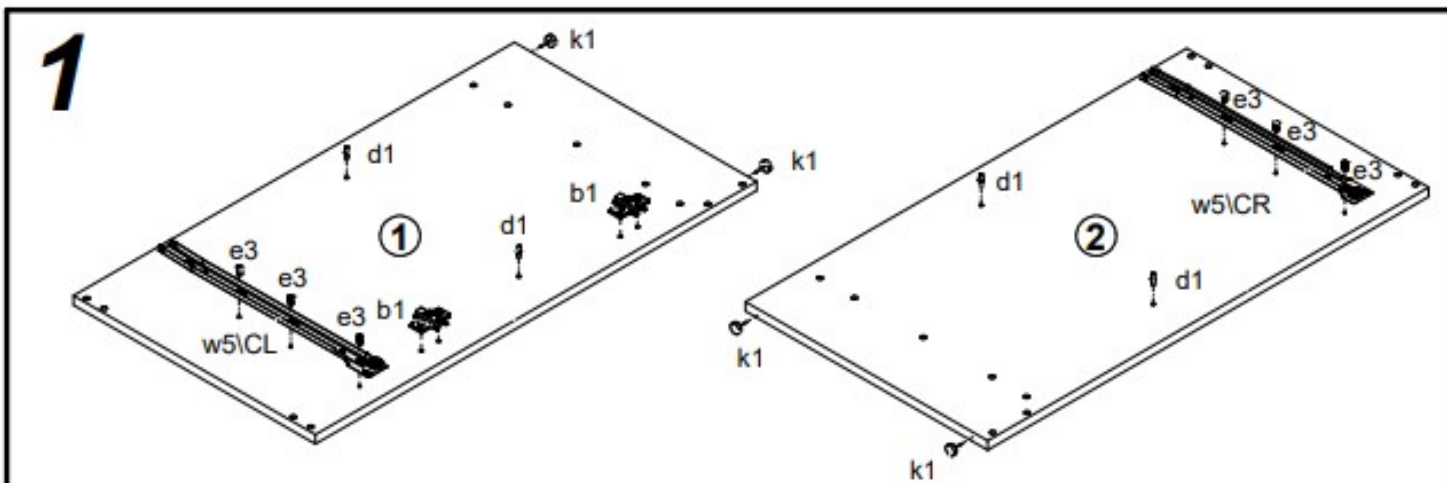
# 1



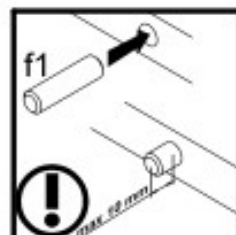
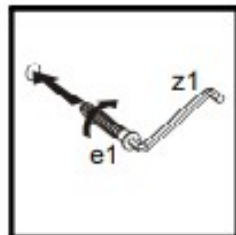
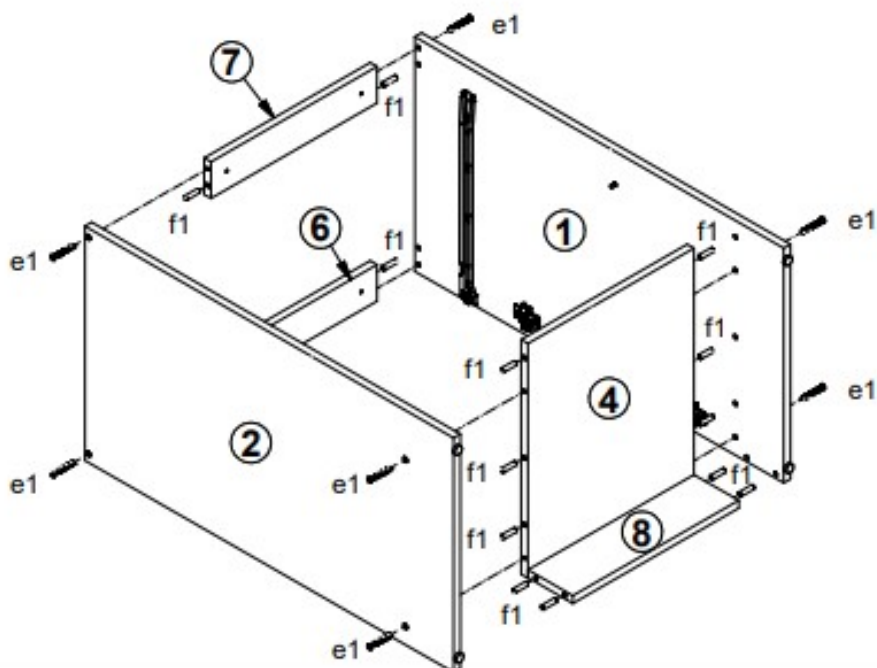
A	B	C	D
<b>Moduł A , A + A1</b>			
1	K22-103	820	450 1/3
2	K22-104	820	450 1/3
4	K22-307	369	450 1/3
5	K22-308	368	430 1/3
6	K22-411	369	70 2/3
7	K22-412	369	70 2/3
8	K22-413	369	100 2/3
9	K22-906	715	393 1/3
10	K22-922	406	342 1/3
11	K24-501	400	100 2/3
12	K24-502	400	100 2/3
13	ZS3-5527	314	100 2/3
<b>Moduł A + A1</b>			
3	K22-203	400	600 1/3



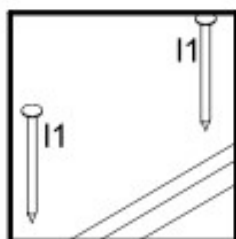
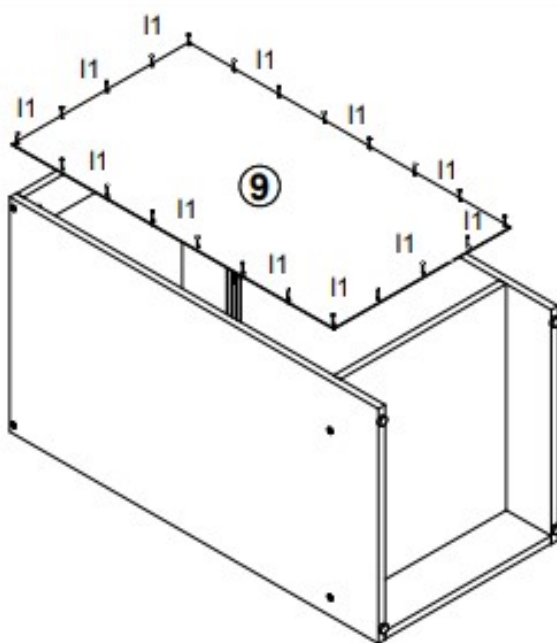
2x a2	2x b1	2x c314	4x d1 Ø5x17 mm	8x e1 Ø7x50 mm	4x e19 Ø2x2 mm	6x e3 Ø6x13 mm	14x f1 Ø8x30 mm	4x f25 Ø6.5x40 mm
4x k1	25x l1	4x p21 Ø4x30 mm	3x p38 Ø3.5x16 mm	4x p60 Ø4x22 mm	4x r15 Ø12x10.5 mm #12	4x r42 Ø4x11	1x w5\CL 400 mm	1x w5\CR 400 mm
1x w5\DL 400 mm	1x w5\DR 400 mm	4x s1	1x z1 4 mm					



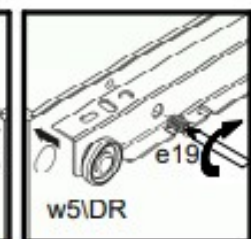
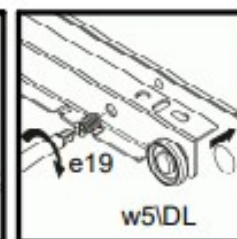
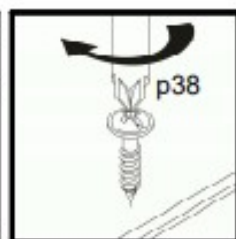
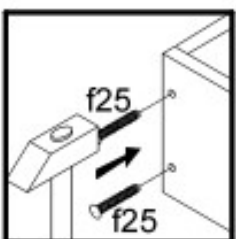
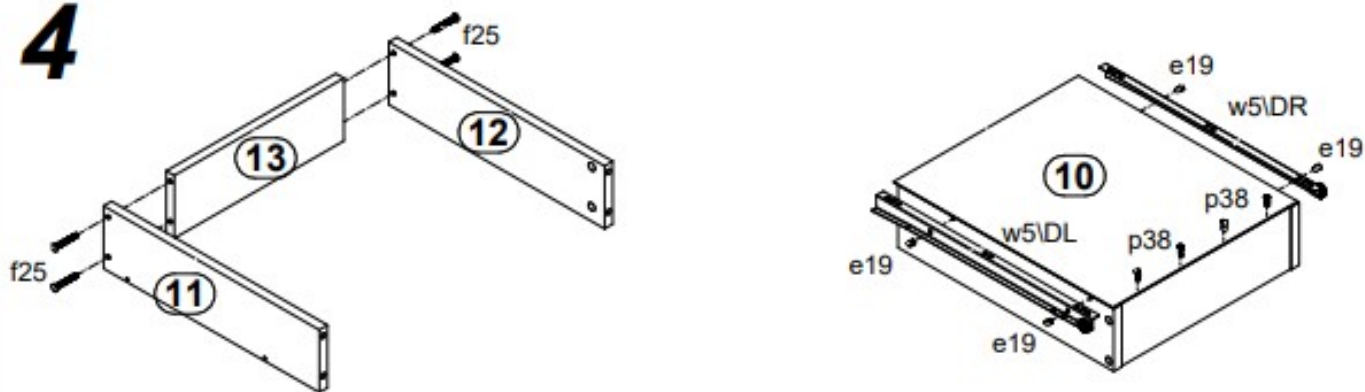
# 2



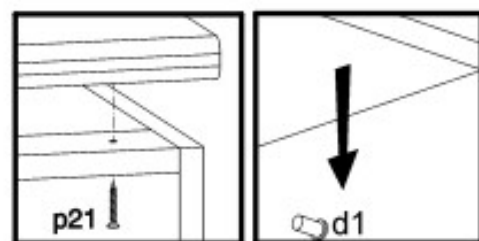
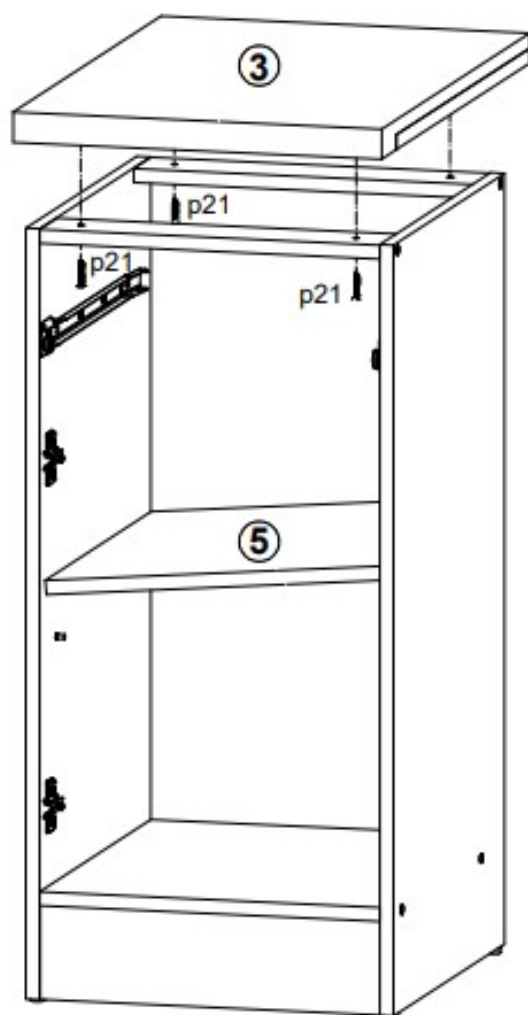
# 3



# 4



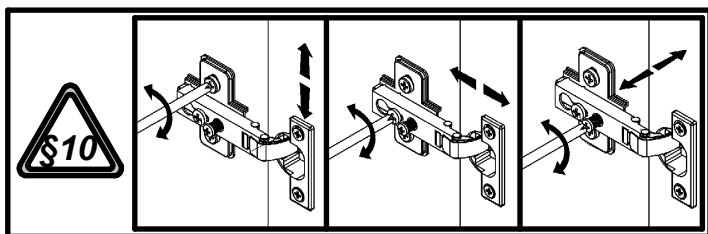
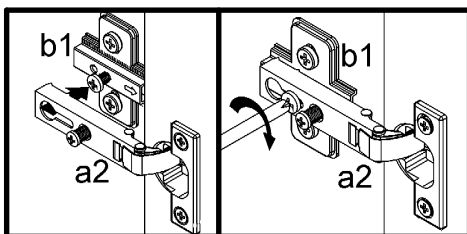
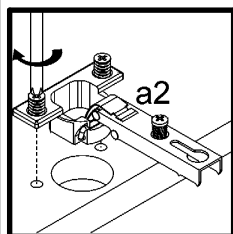
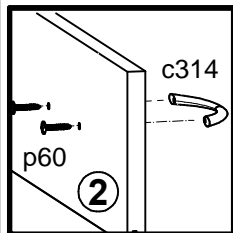
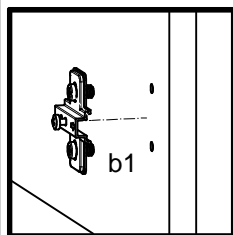
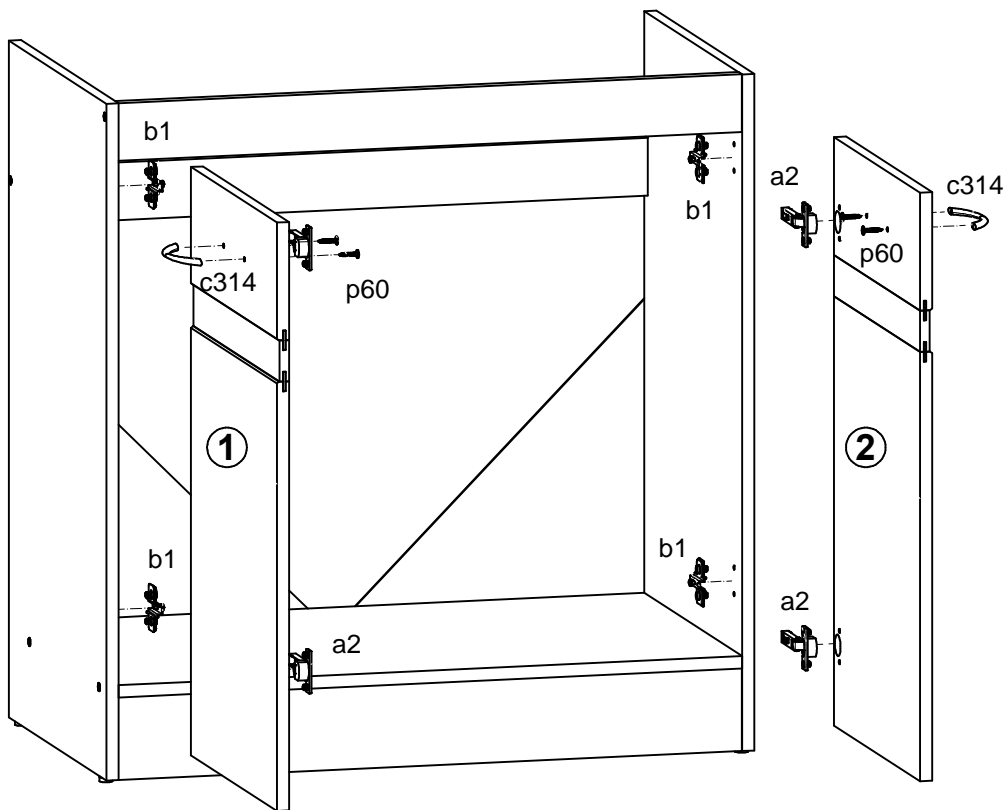
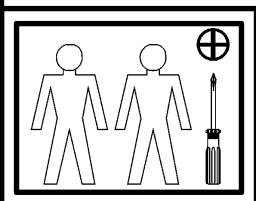
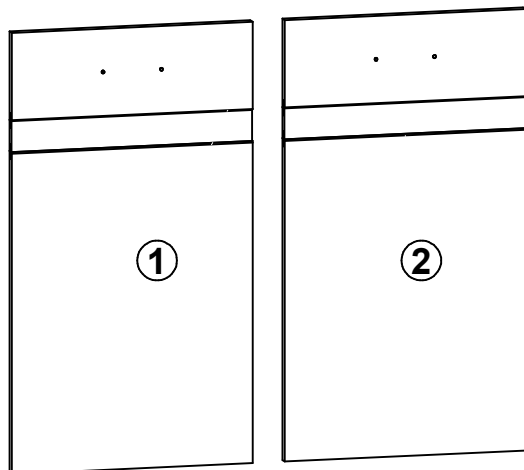
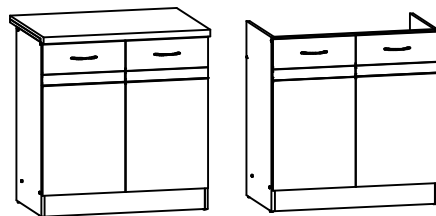
# 5



# Junona Line

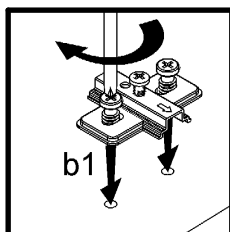
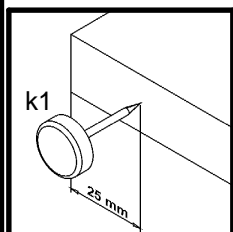
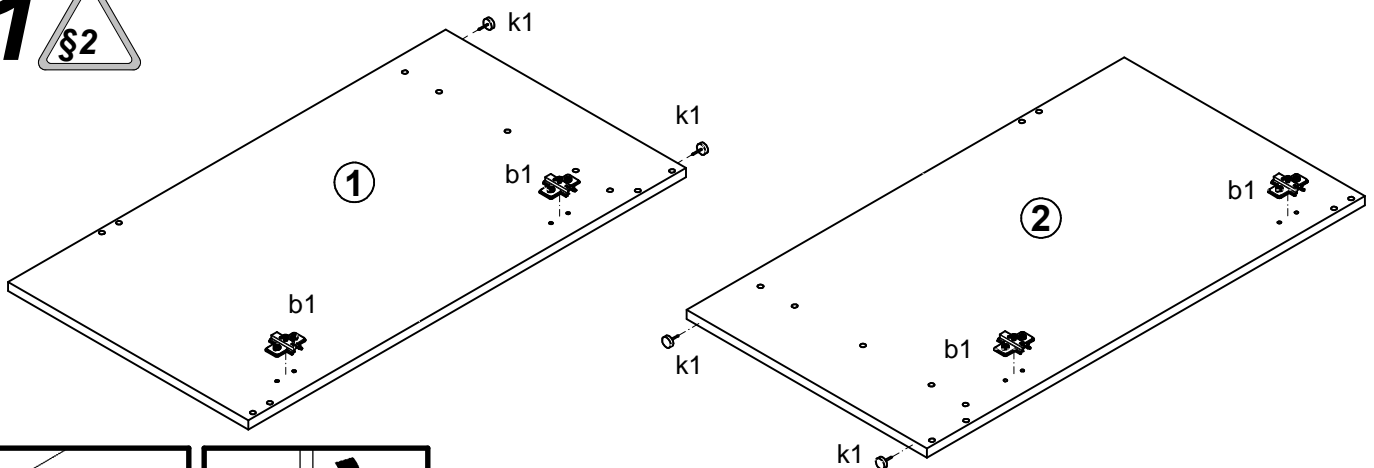
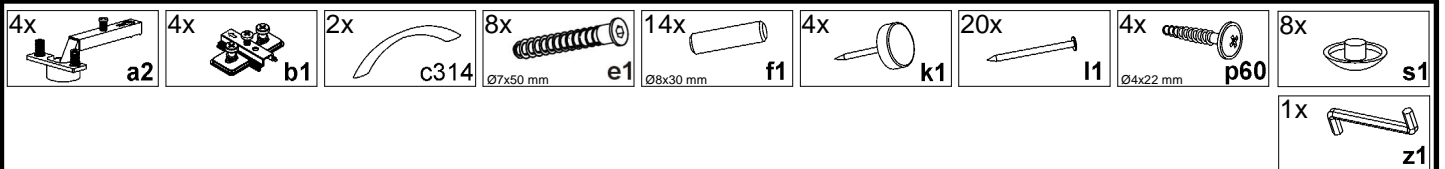
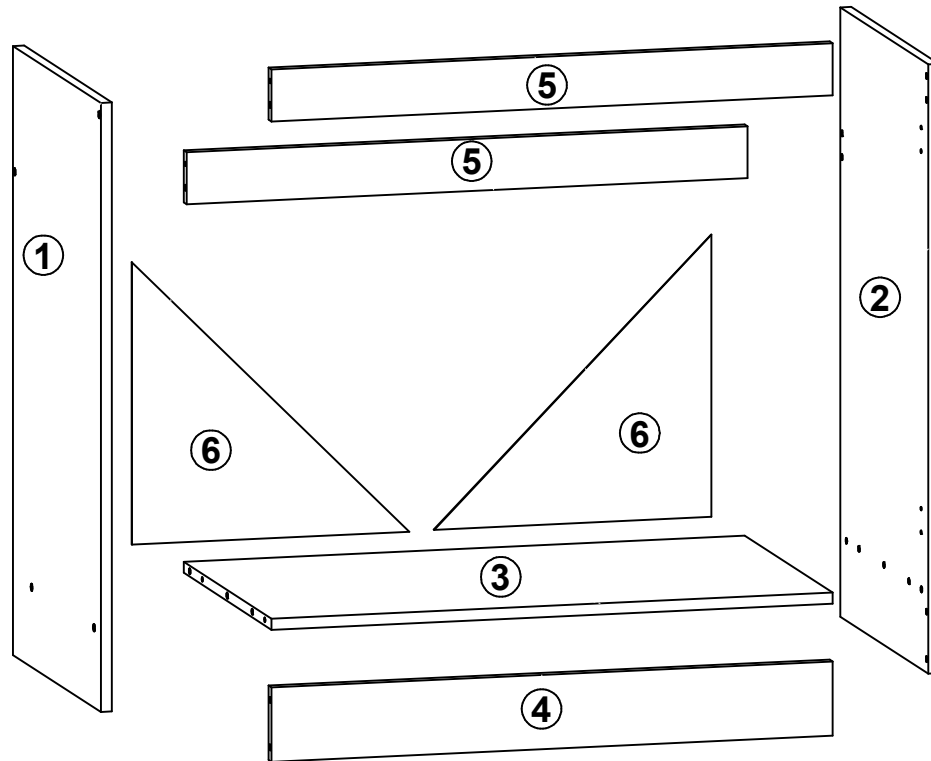
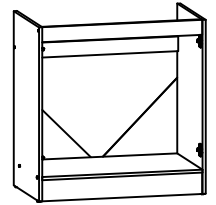
# K22-DK2D/80/82-frn K22-D2D/80/82-frn

A	B	C		D
1	K22-020	396	713	2/2
2	K22-021	396	713	2/2

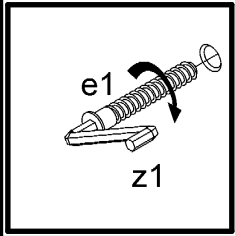
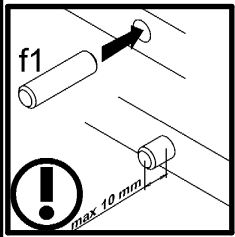
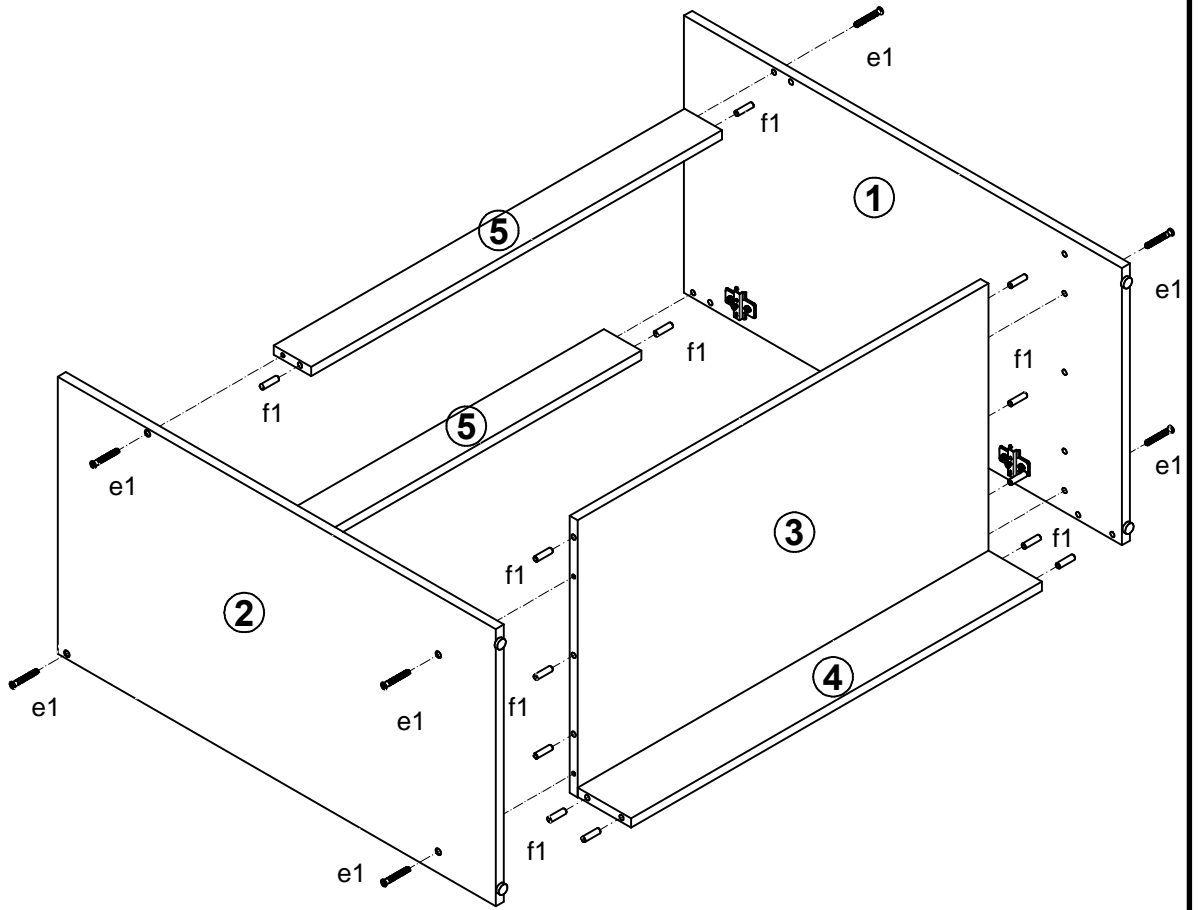


# K22-DK2D/80/82

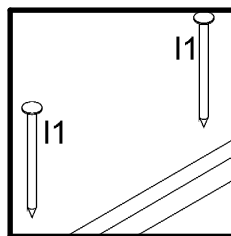
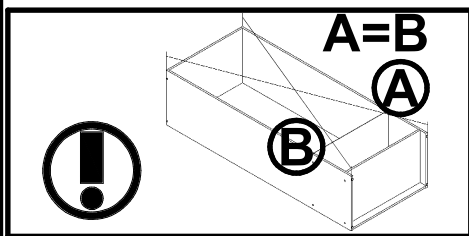
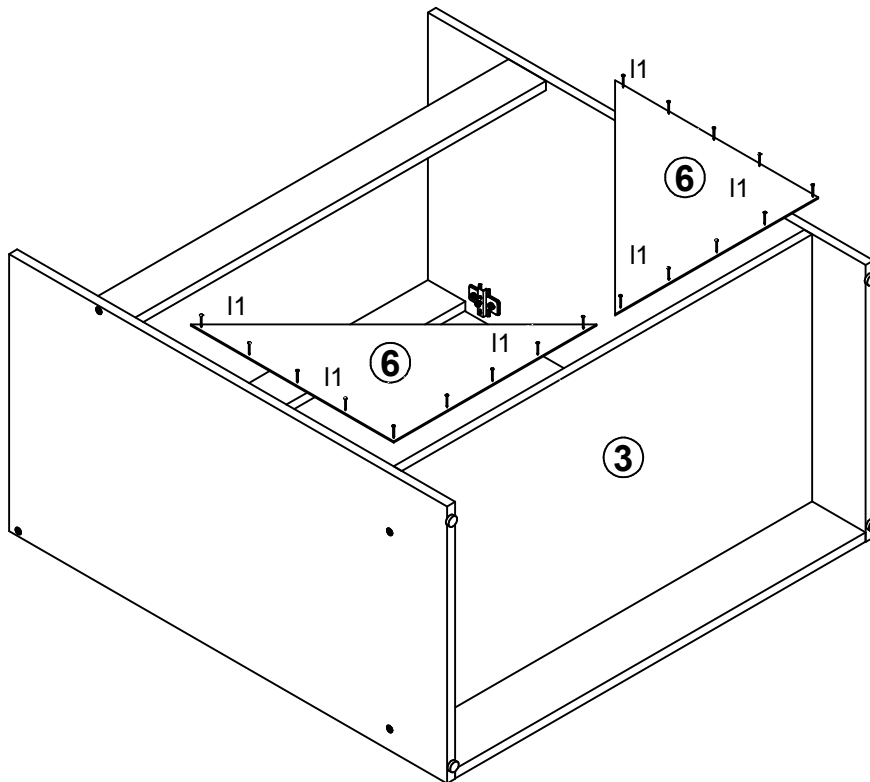
A	B	C	D
1	K22-116	820	450 1/2
2	K22-117	820	450 1/2
3	K22-327	769	450 1/2
4	K22-417	769	100 1/2
5	K22-418	769	70 1/2
6	K22-918	380	380 1/2



**2** §6



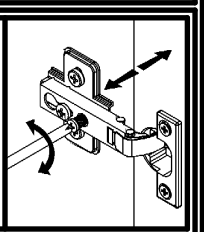
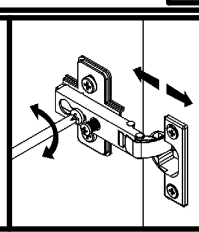
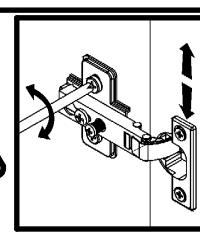
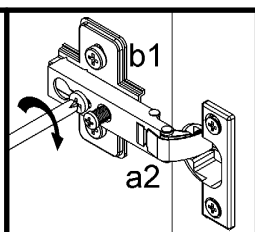
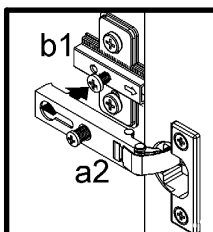
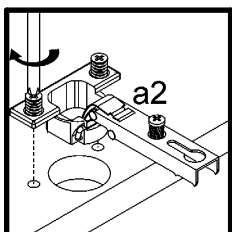
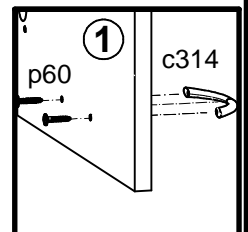
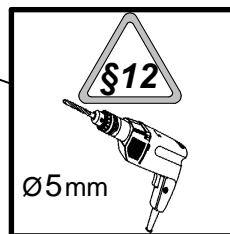
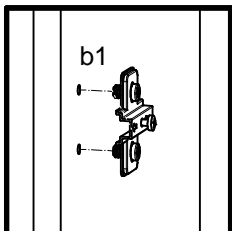
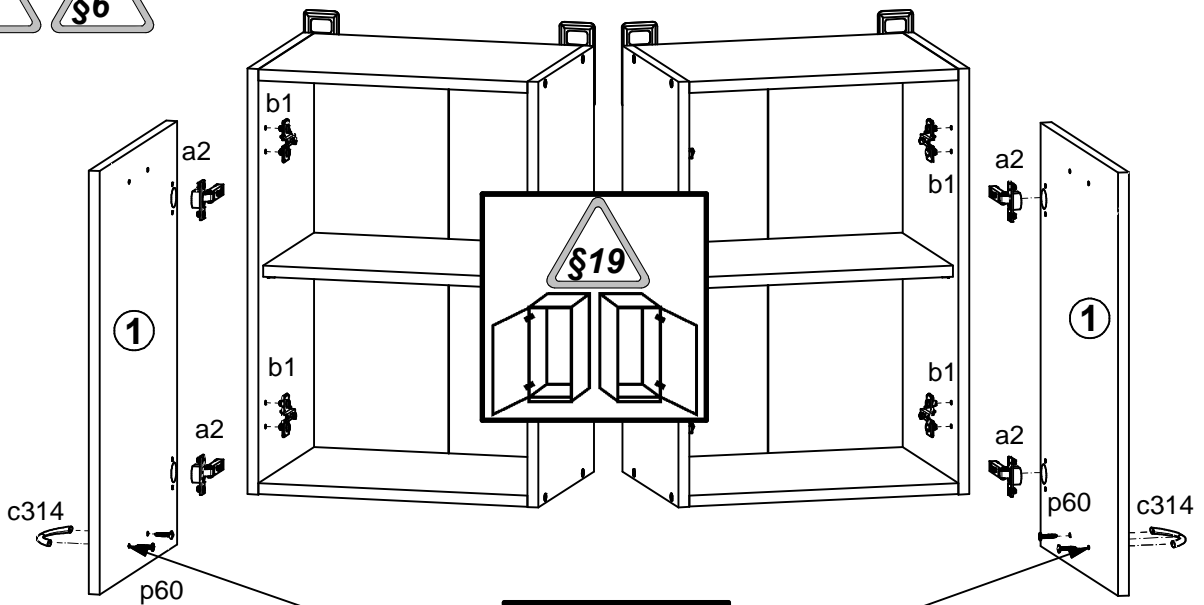
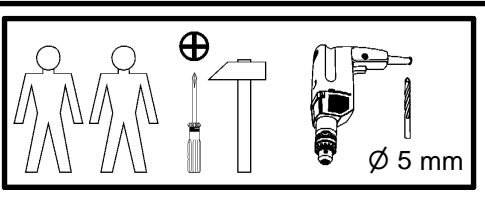
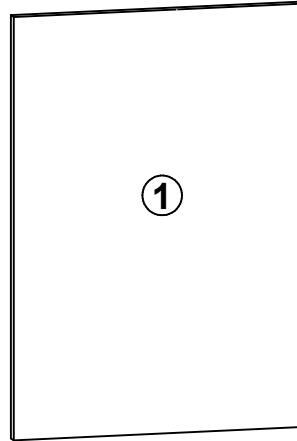
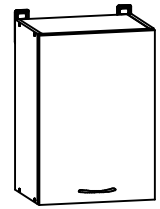
**3**



# Junona Line

K22-G1D/40/57-LP

A	B	C	D
1	K22-029	396	570
			2/2

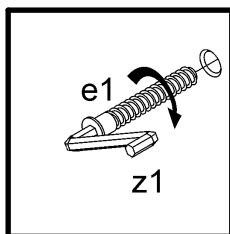
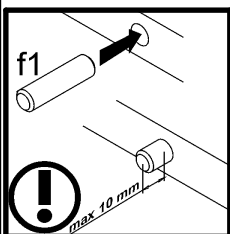
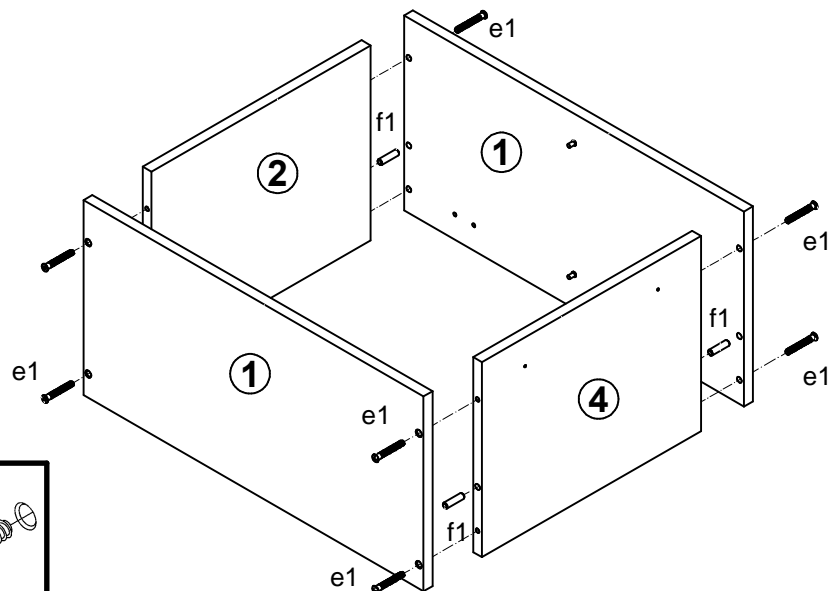
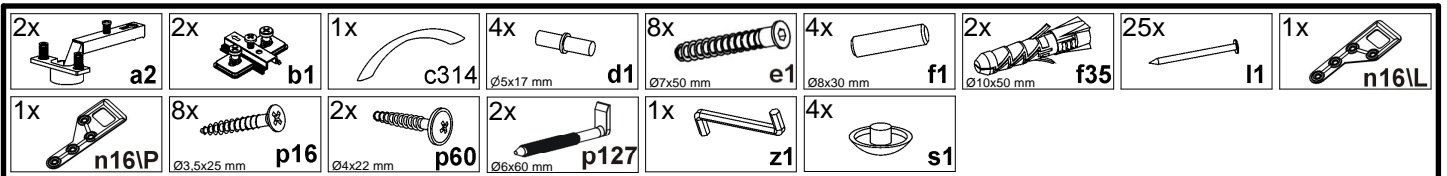
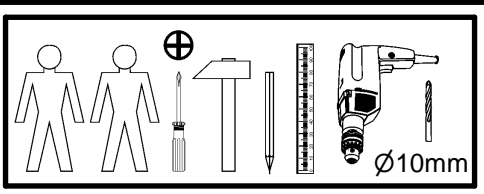
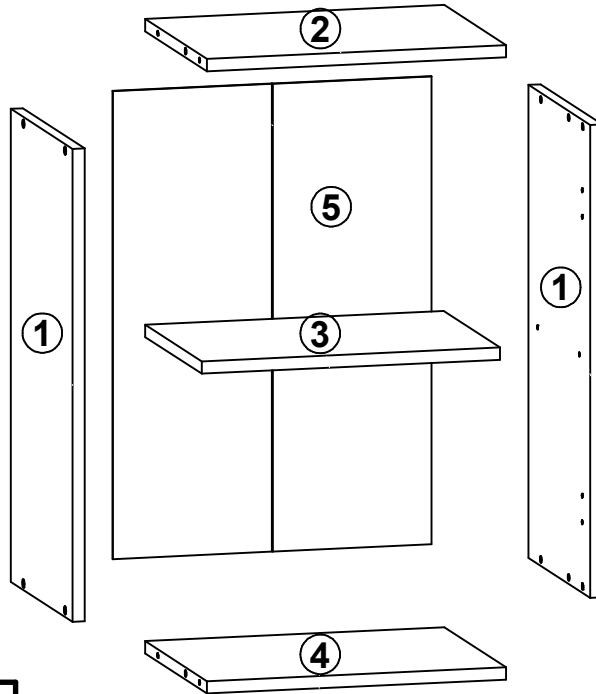
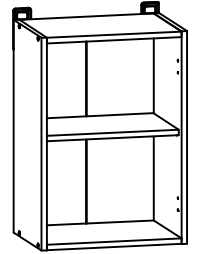




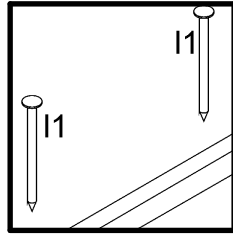
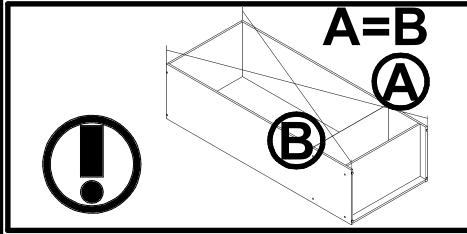
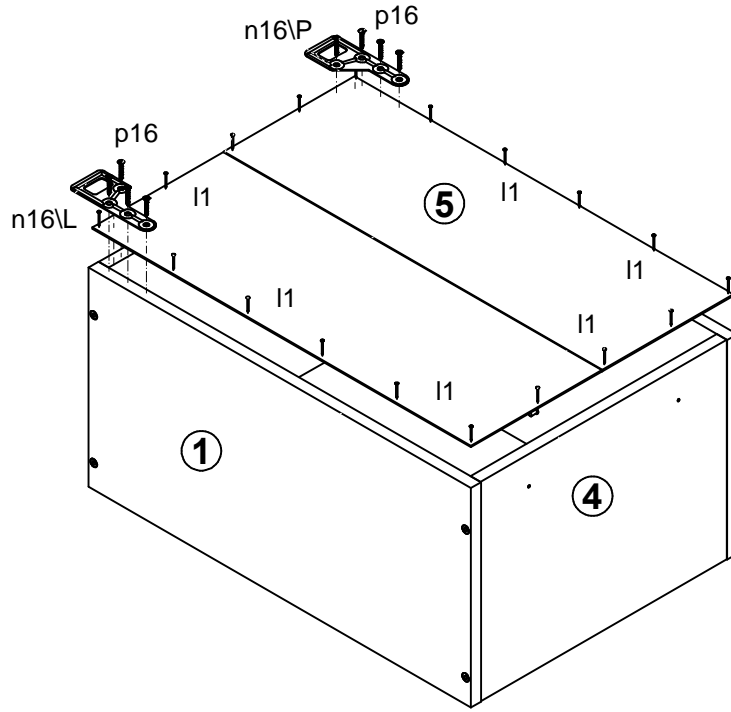
# Junona Line

# K22-G1D/40/57-LP

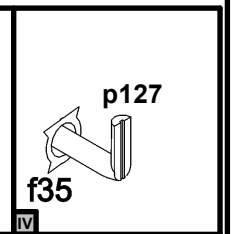
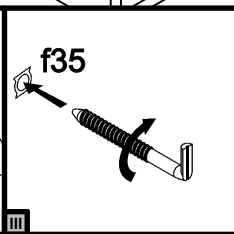
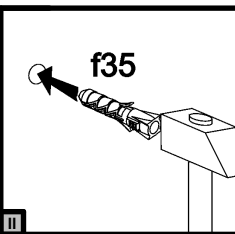
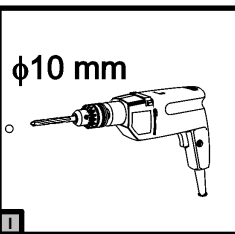
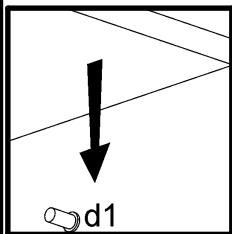
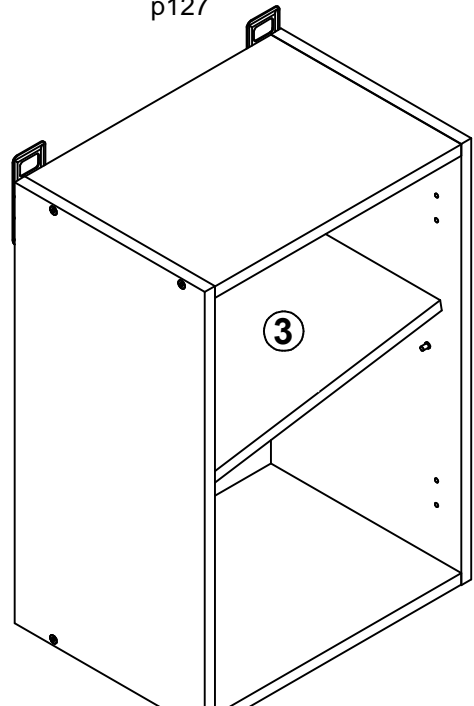
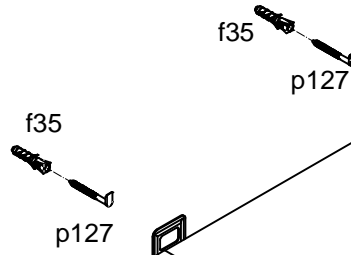
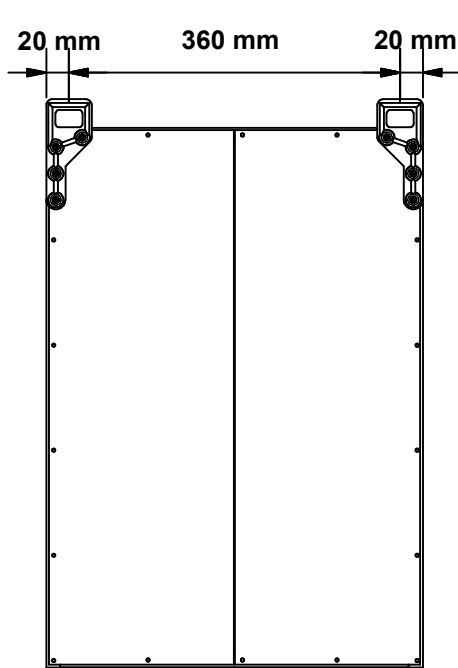
A	B	C	D
1	K22-101	573	285
2	K22-311	369	285
3	K22-312	368	260
4	K22-323	369	285
5	K22-908	567	393



**2** §6



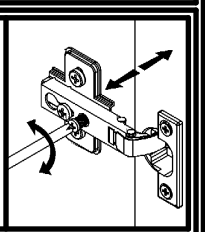
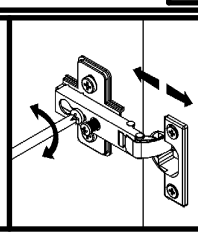
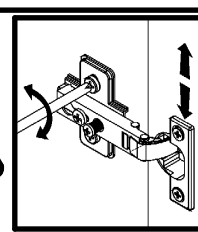
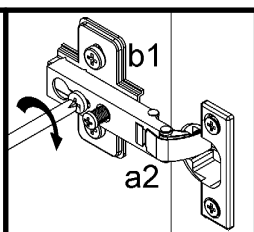
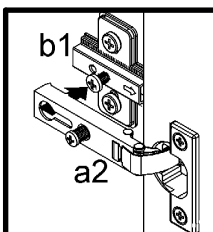
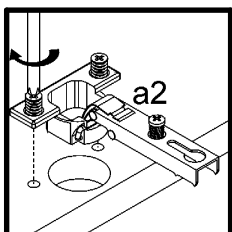
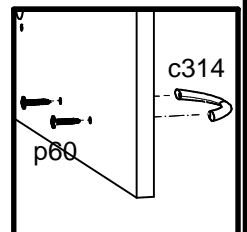
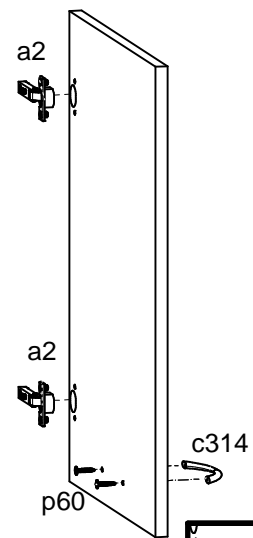
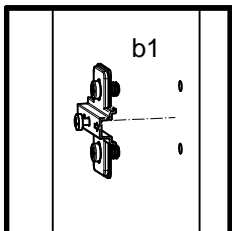
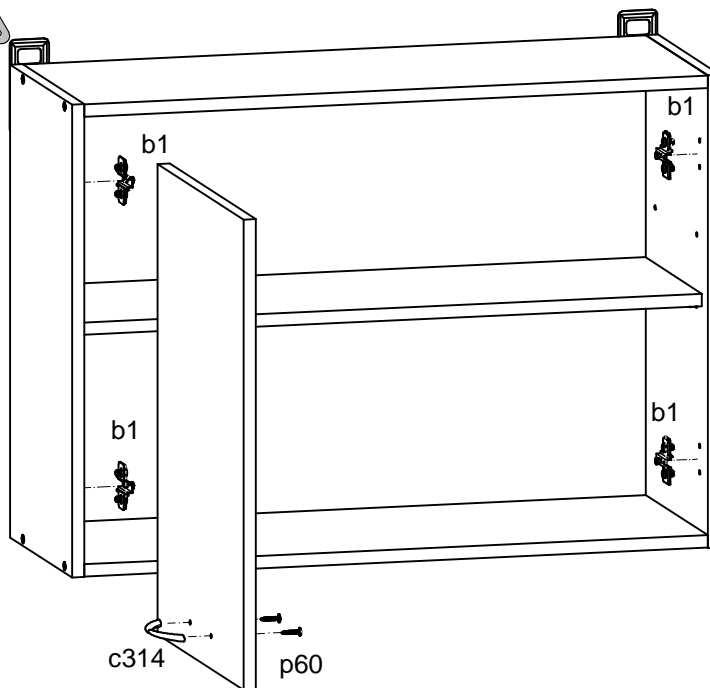
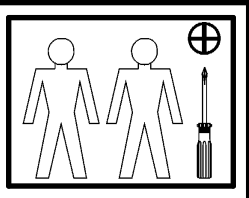
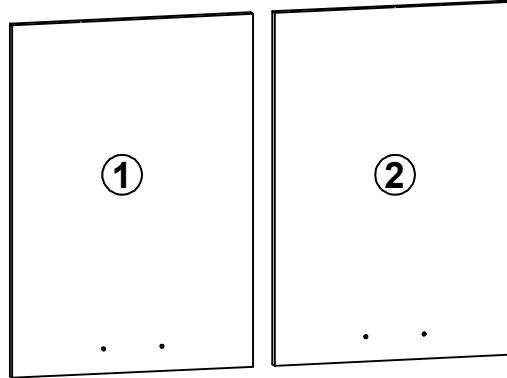
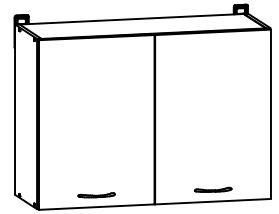
**3**



# Junona Line

K22-G2D/80/57

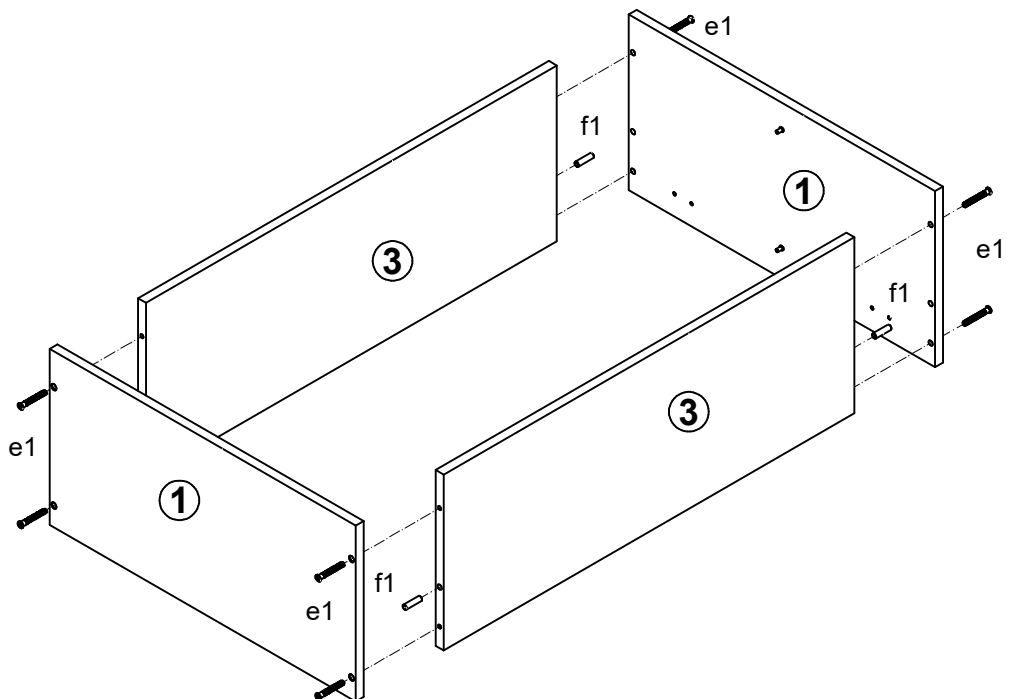
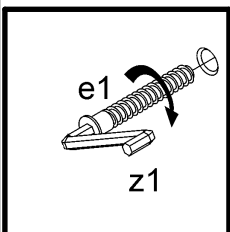
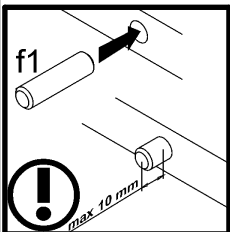
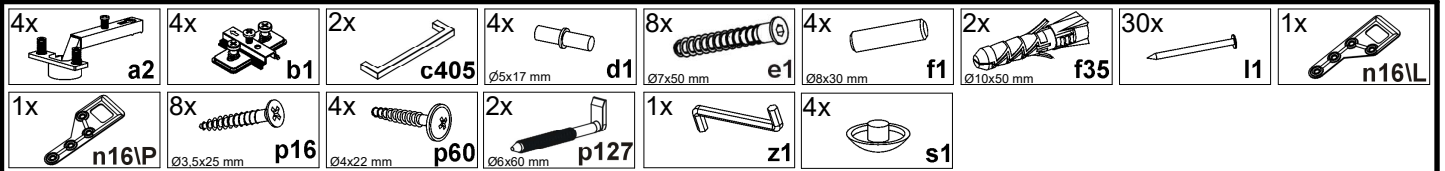
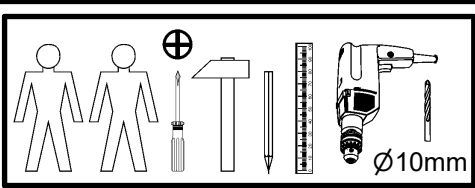
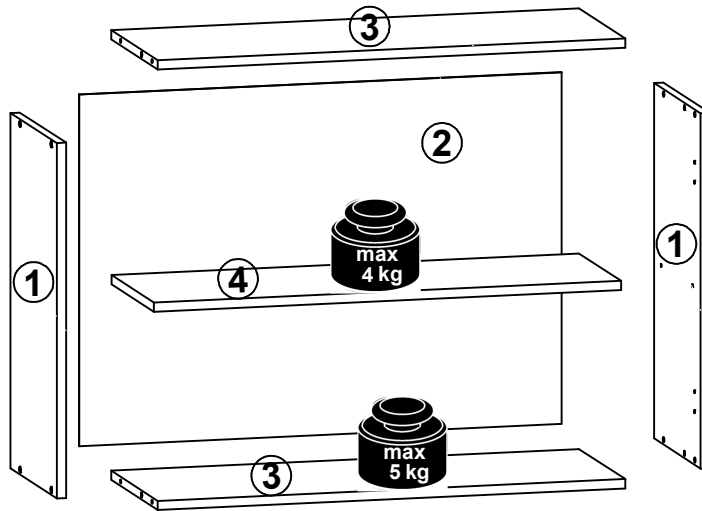
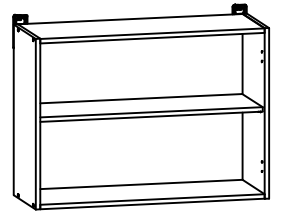
A	B	C	D
1	K22-008	396	570
2	K22-013	396	570



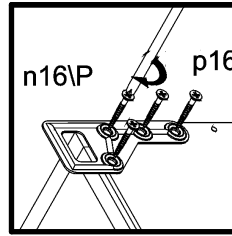
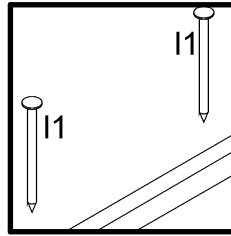
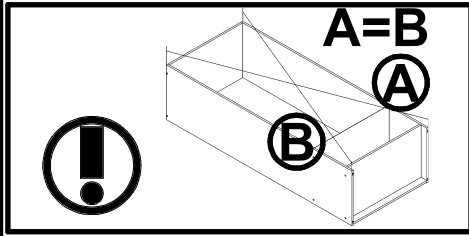
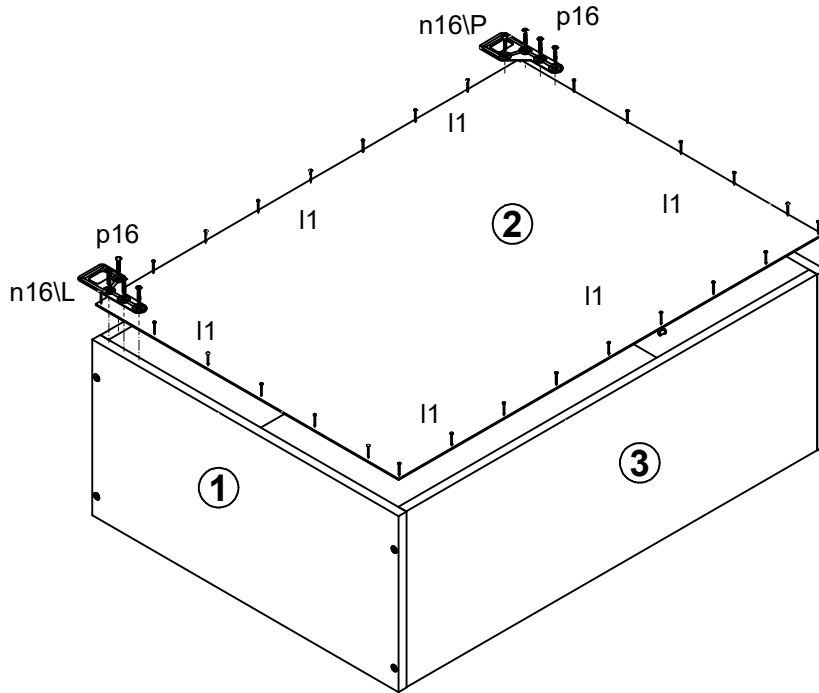
# Junona Line

K24-G2D/80/57

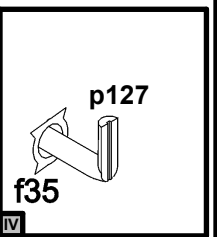
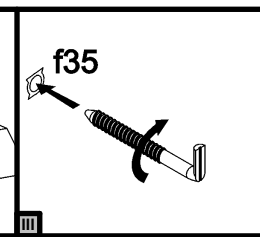
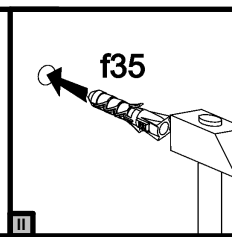
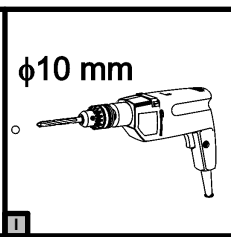
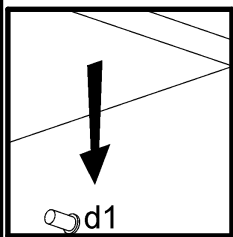
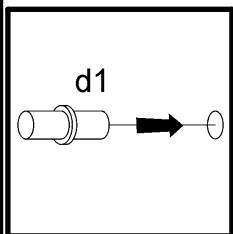
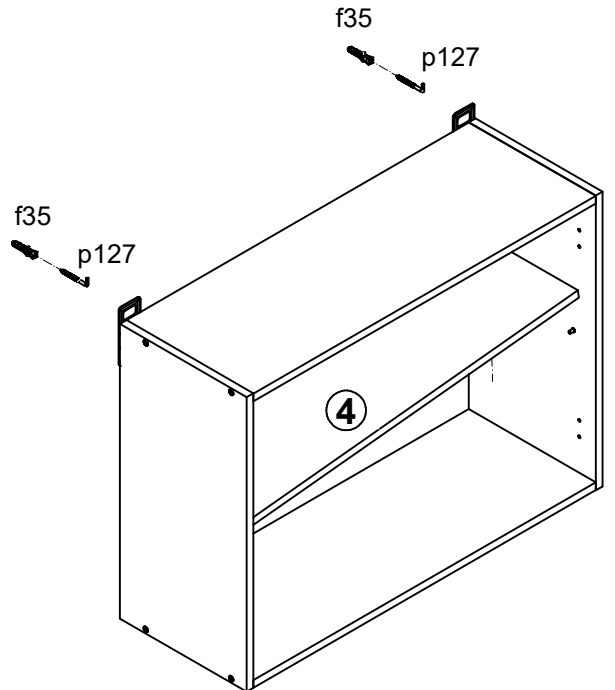
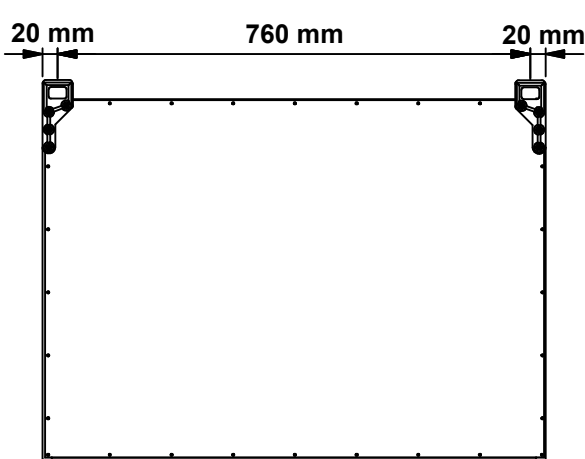
A	B	C	D
1	K24-101	573	285
2	K22-919	567	793
3	K24-328	769	285
4	K24-329	768	260



**2** §6



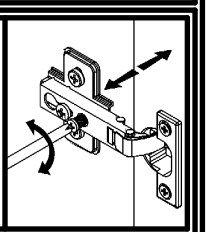
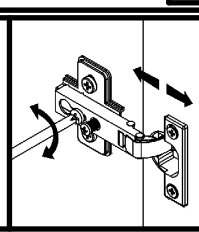
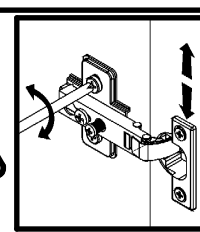
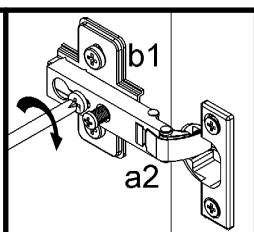
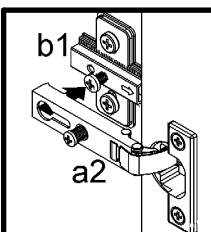
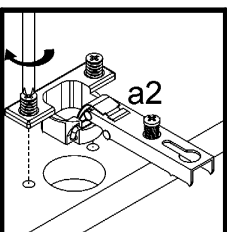
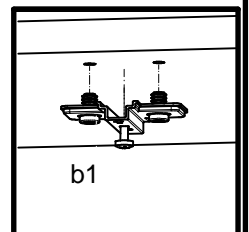
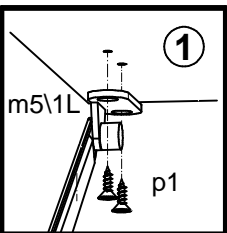
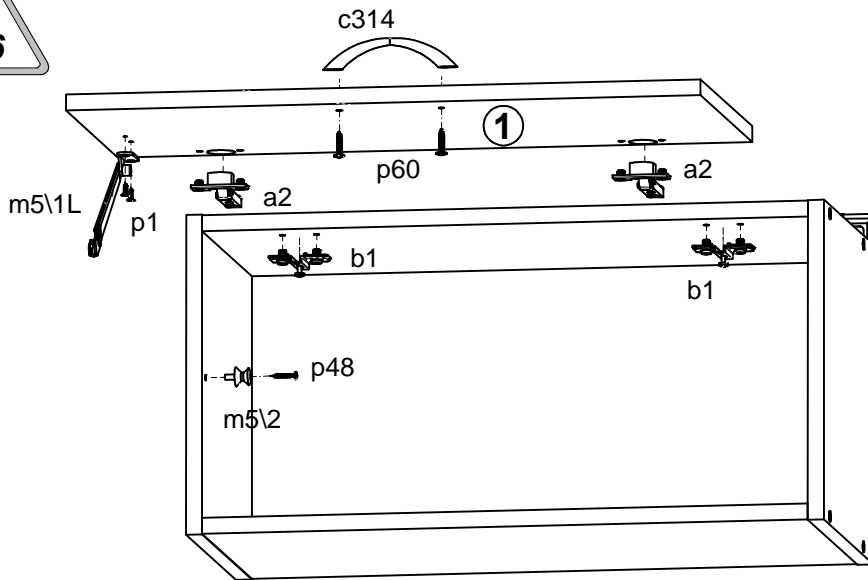
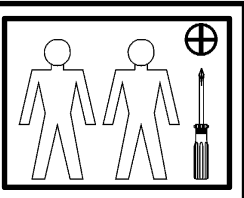
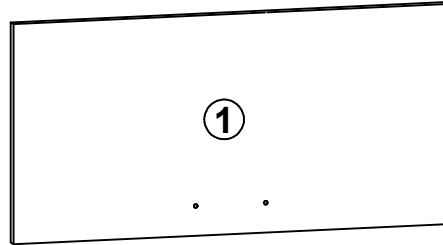
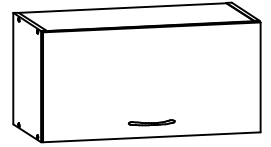
**3**



# Junona Line

K22-GO/60/30

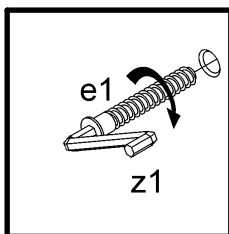
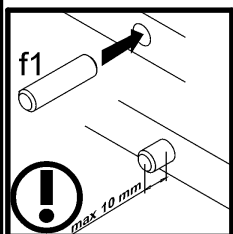
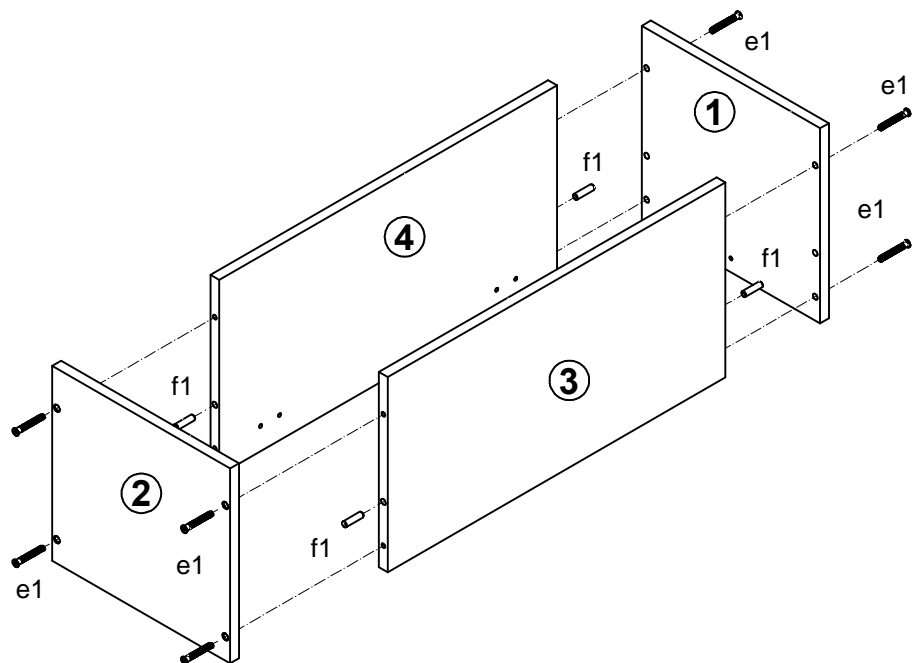
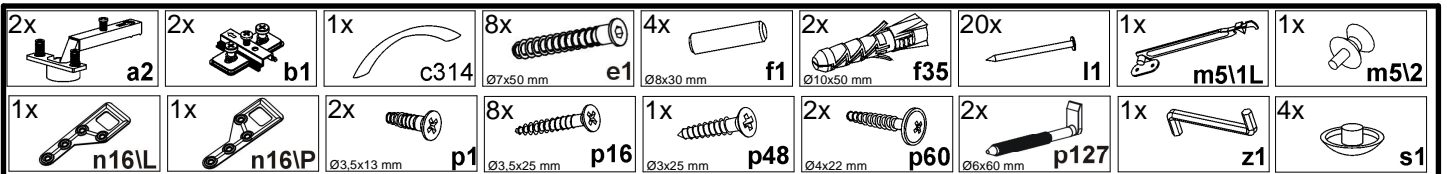
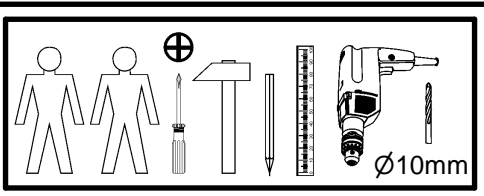
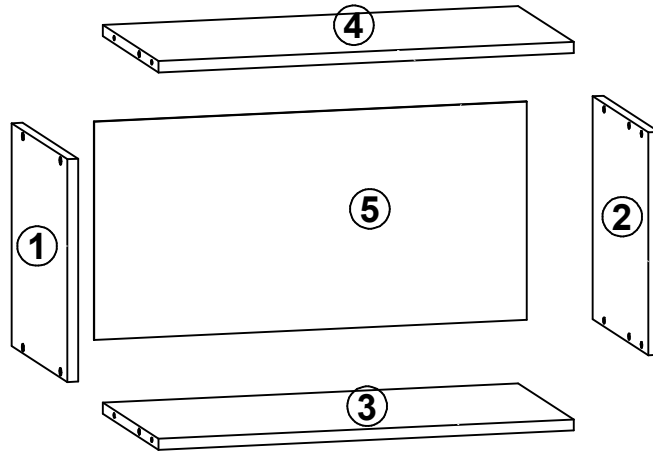
A	B	C	D
1	K22-019	596	296 2/2



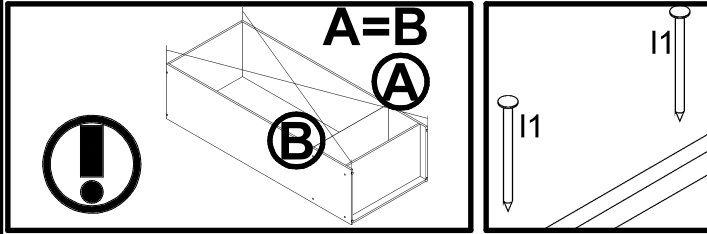
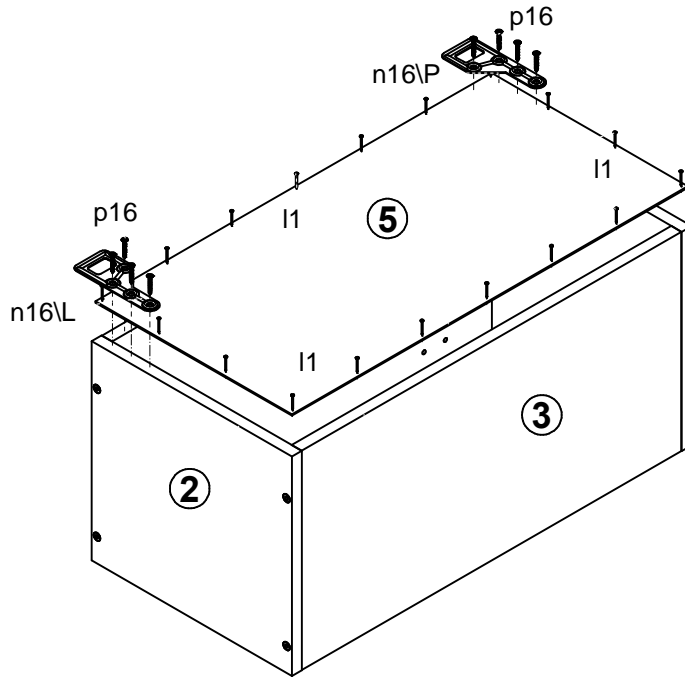
# Junona Line

K22-GO/60/30

A	B	C	D
1	K22-118	300	285
2	K22-119	300	285
3	K22-330	569	285
4	K22-331	569	285
5	K22-920	593	294



**2** §6



**3**

