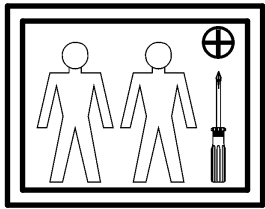
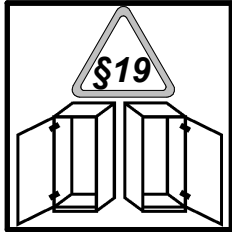
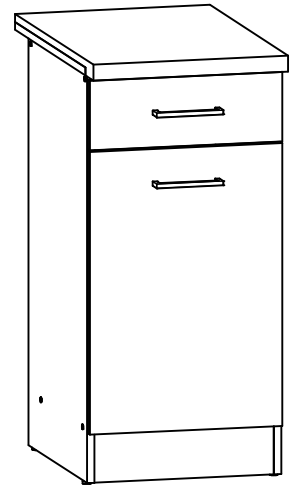
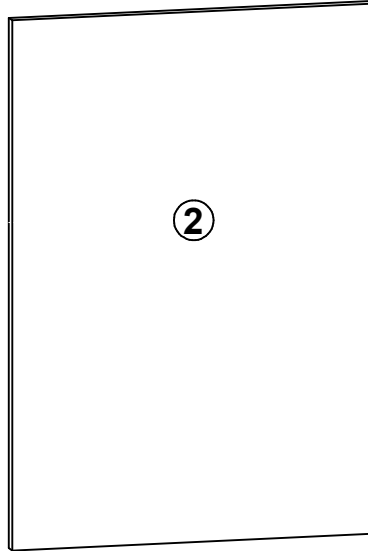
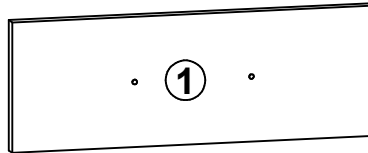


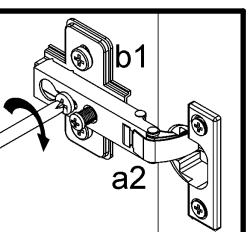
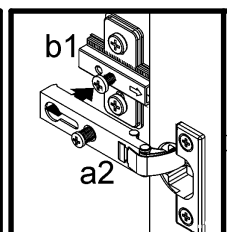
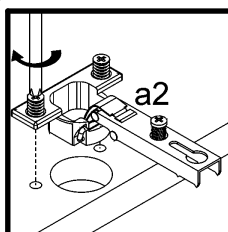
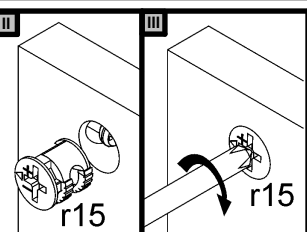
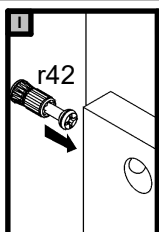
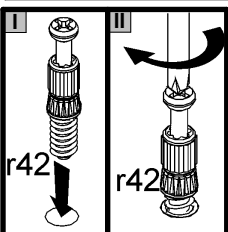
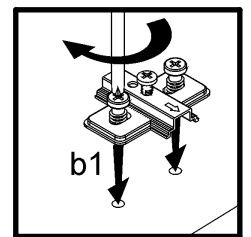
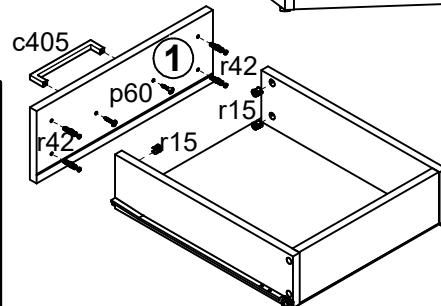
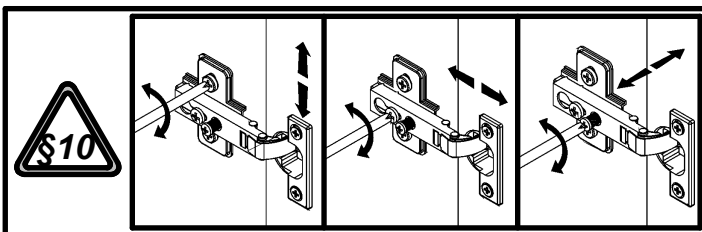
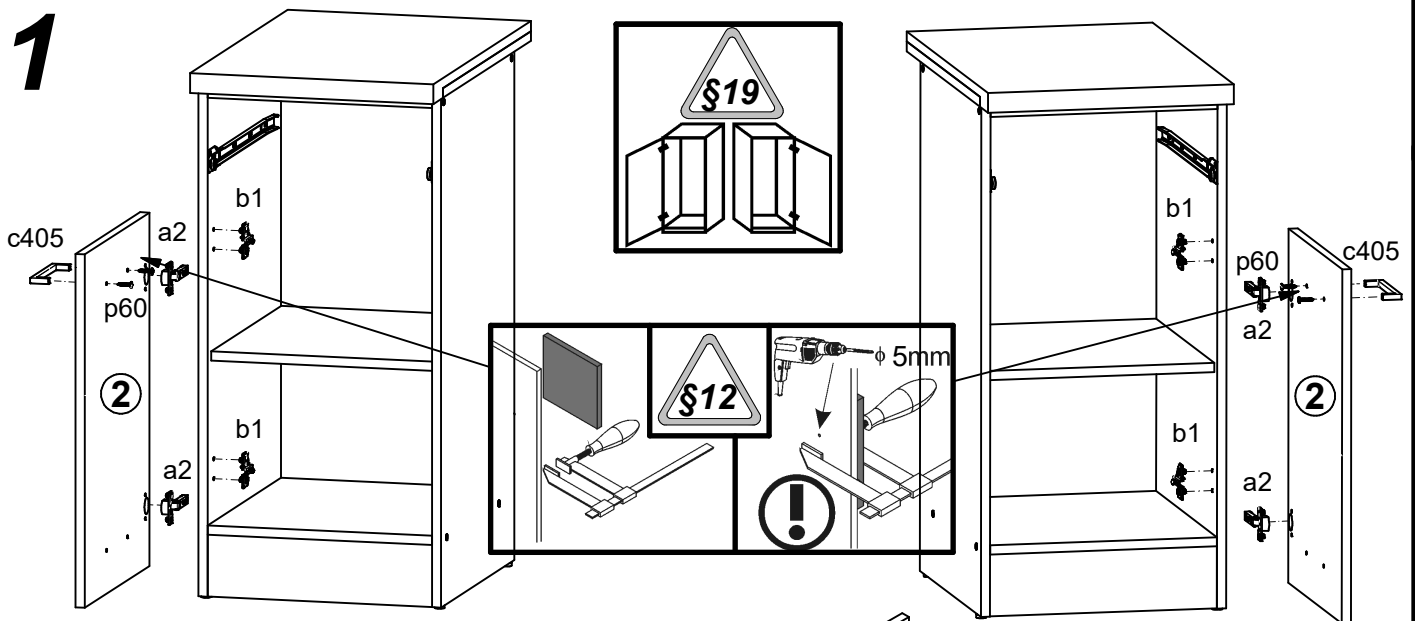
# Junona Line

K24-D1D1S/40/82 Moduł A, A+A1, G, G+A1

A	B	C	D
1	K24-032	396	140 3/3
2	K24-0104_	396	570 3/3
	A		

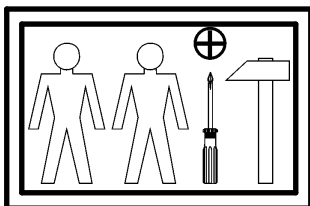
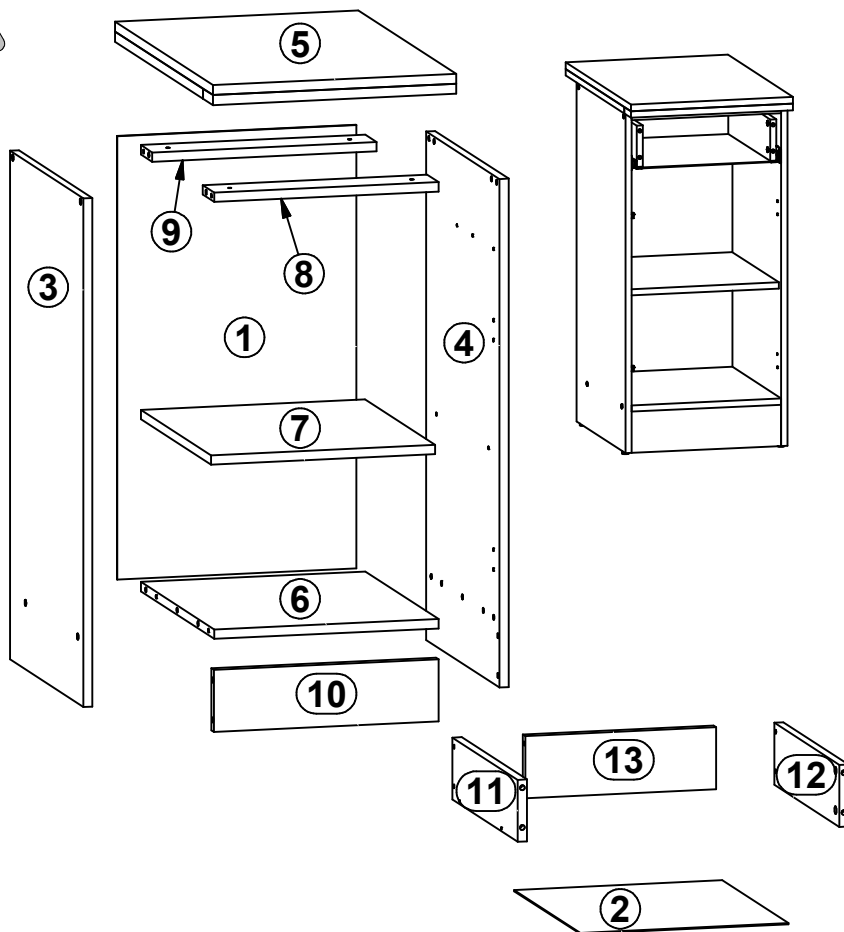


**1**

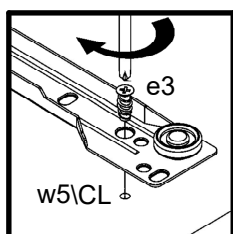
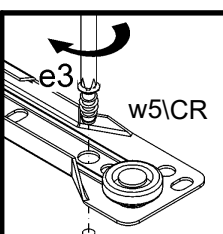
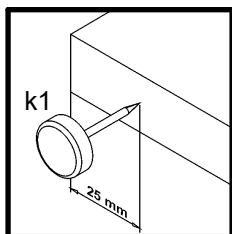
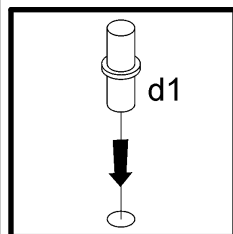
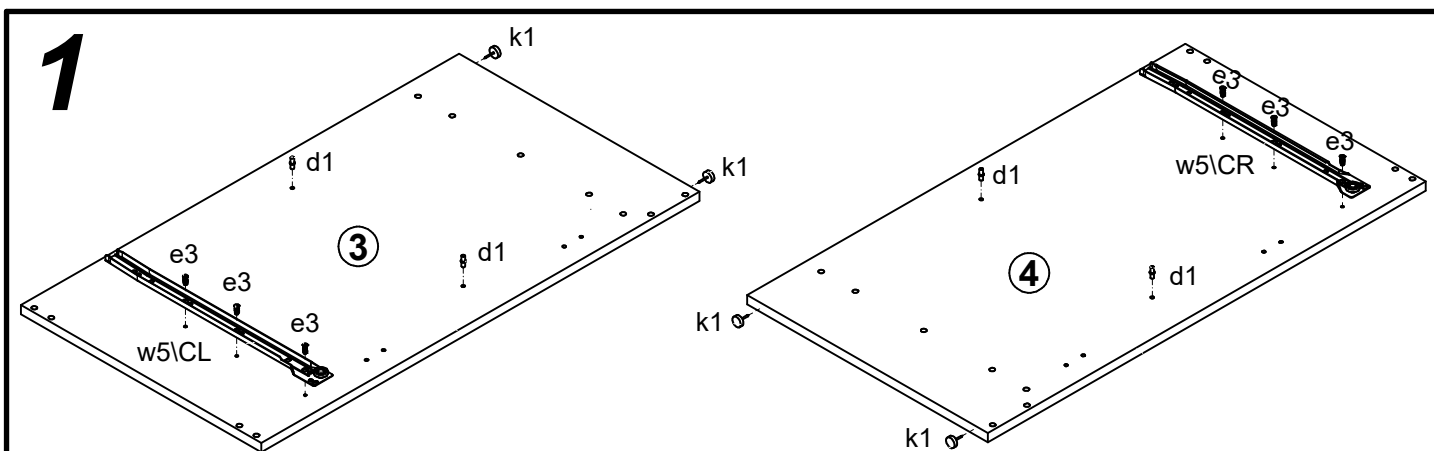


# Junona Line K24-D1D1S/40/82 Moduł A,A+A1,G,G+A1

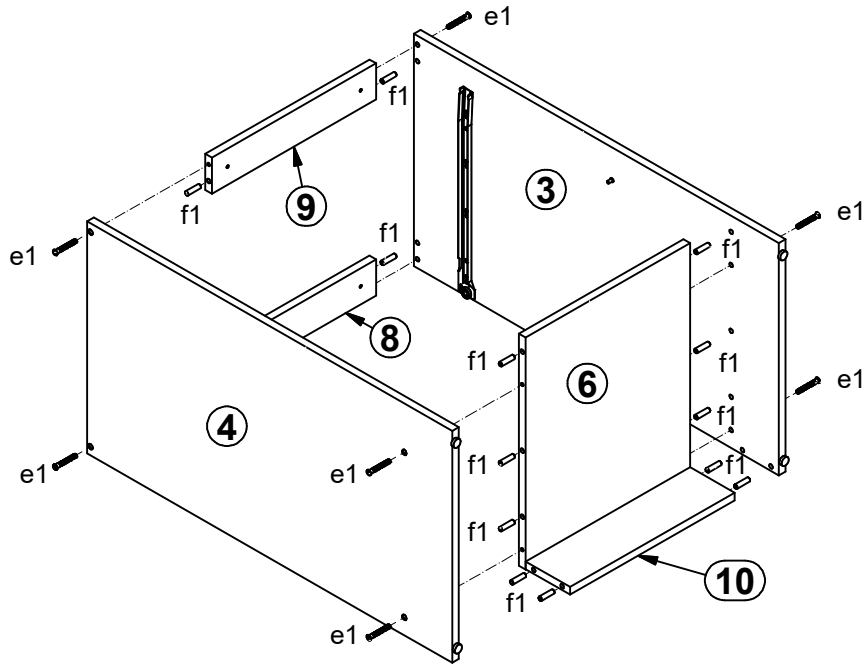
A	B	C	D	
<b>Moduł A, A+A1, G, G+A1</b>				
1	K22-906	715	393	1/3
2	K22-922	406	342	1/3
3	K24-103	820	450	1/3
4	K24-104	820	450	1/3
6	K24-307	369	450	1/3
7	K24-308	368	430	1/3
8	K24-411	369	70	2/3
9	K24-412	369	70	2/3
10	K24-413	369	100	2/3
11	K24-501	400	100	2/3
12	K24-502	400	100	2/3
13	ZS3-5527	784	140	2/3
<b>Moduł A + A1, G + A1</b>				
5	K24-203	400	600	1/3



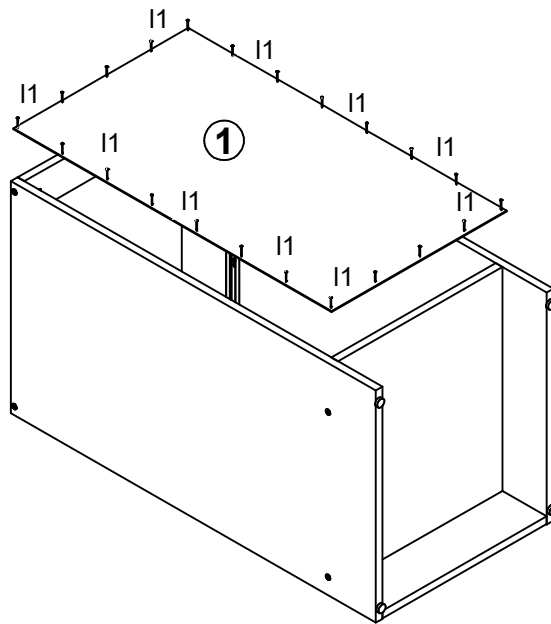
2x 	2x 	2x 	4x 	8x 	4x 	6x 	14x 	4x 	
4x 	25x 	4x 	4x 	4x 	4x 	4x 	1x 	1x 	
1x 	1x 	4x 	1x 						



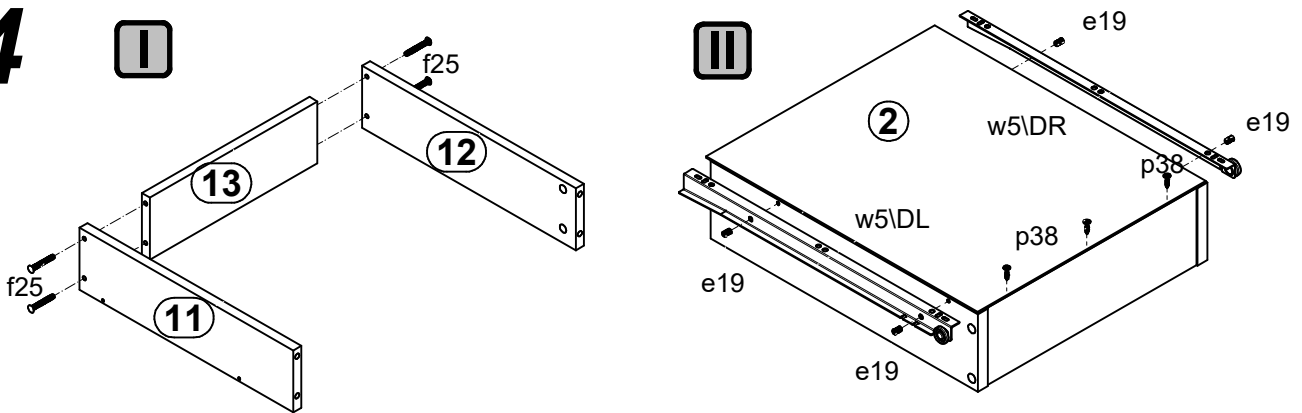
# 2



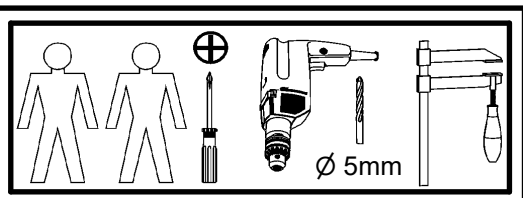
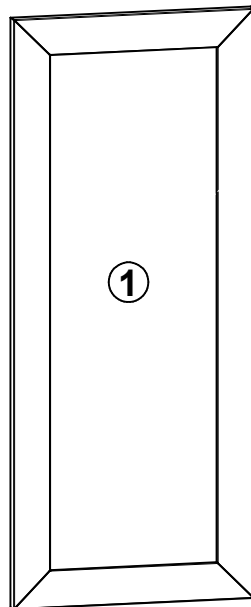
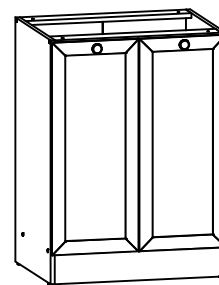
# 3



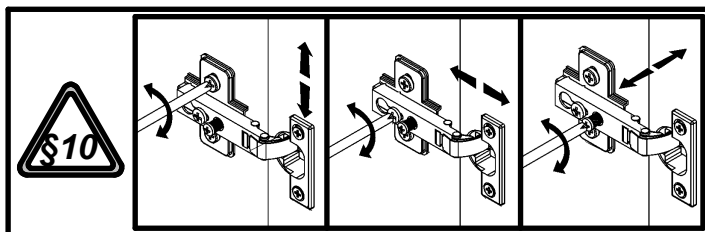
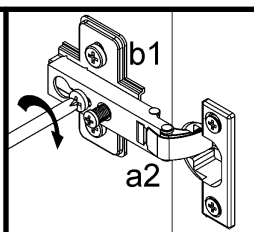
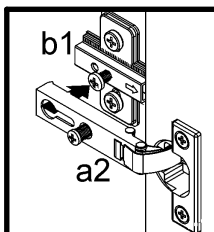
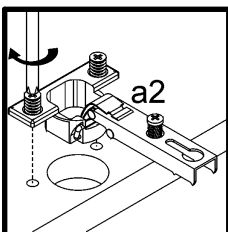
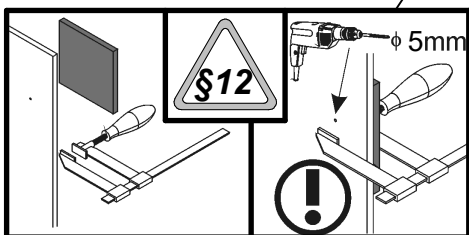
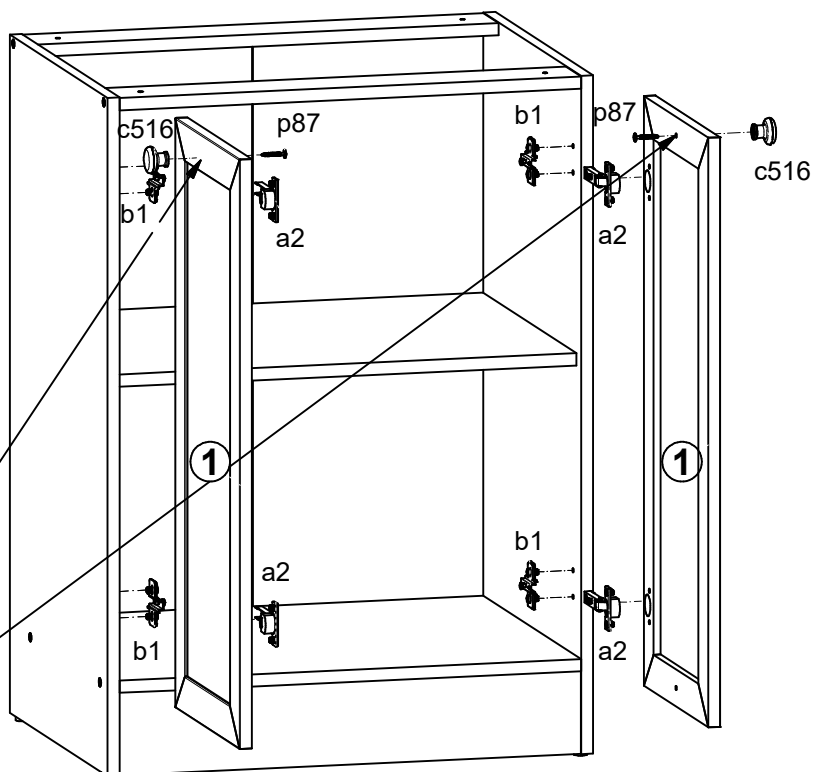
# 4



A	B	C	D
K24-D2D/60/82			
1	K24-0112	713	296 2/2
Moduł B			
1	K24-0112	713	296 2/2



# 1



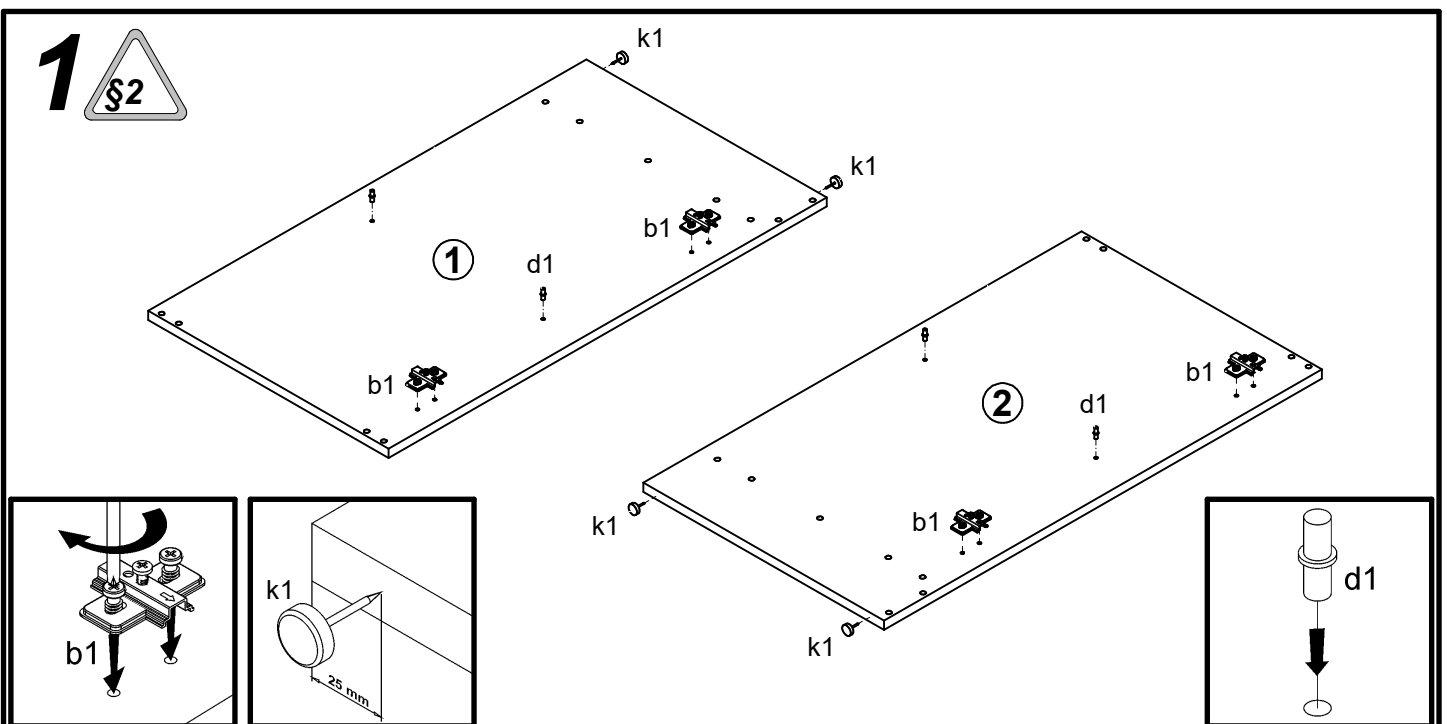
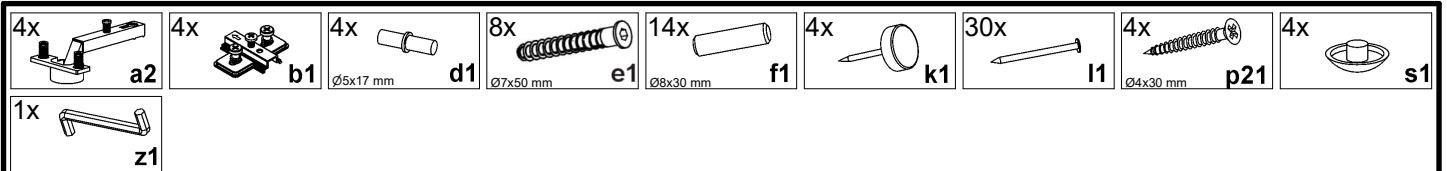
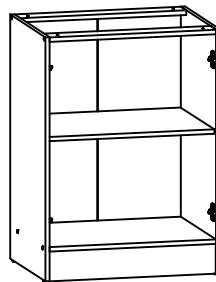
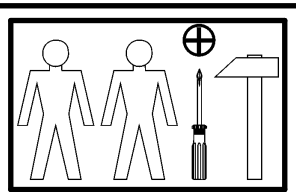
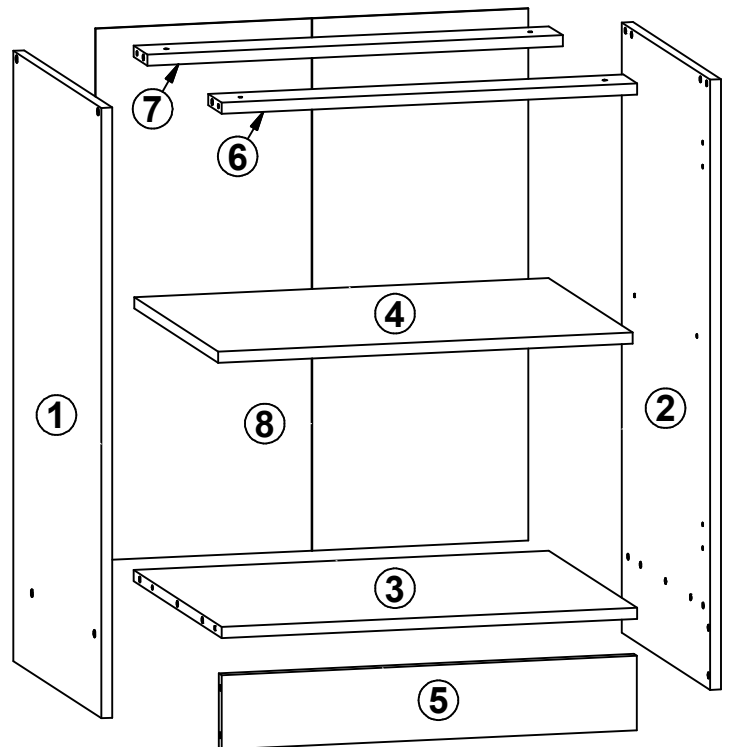
# Junona Line

# K24-D2D/60/82 Moduł B , B + A2

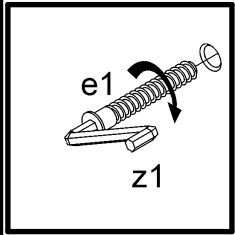
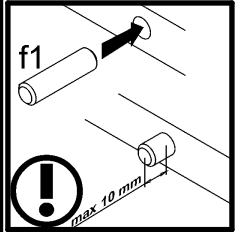
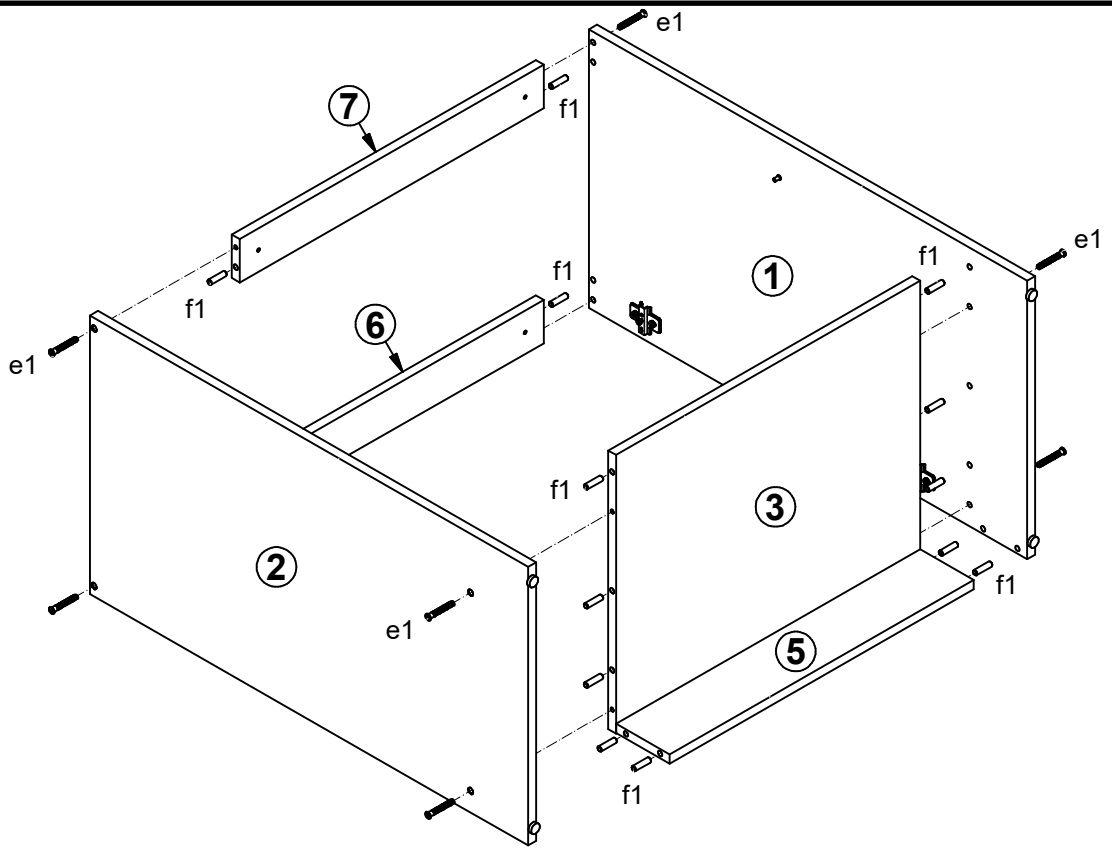
A	B	C	D	
<b>K24-D2D/60/82</b>				
1	K24-107	820	450	1/2
2	K24-108	820	450	1/2
3	K24-341	569	450	1/2
4	K24-342	568	430	1/2
5	K24-423	569	100	1/2
6	K24-424	569	70	1/2
7	K24-425	569	70	1/2
8	K22-926	715	593	1/2



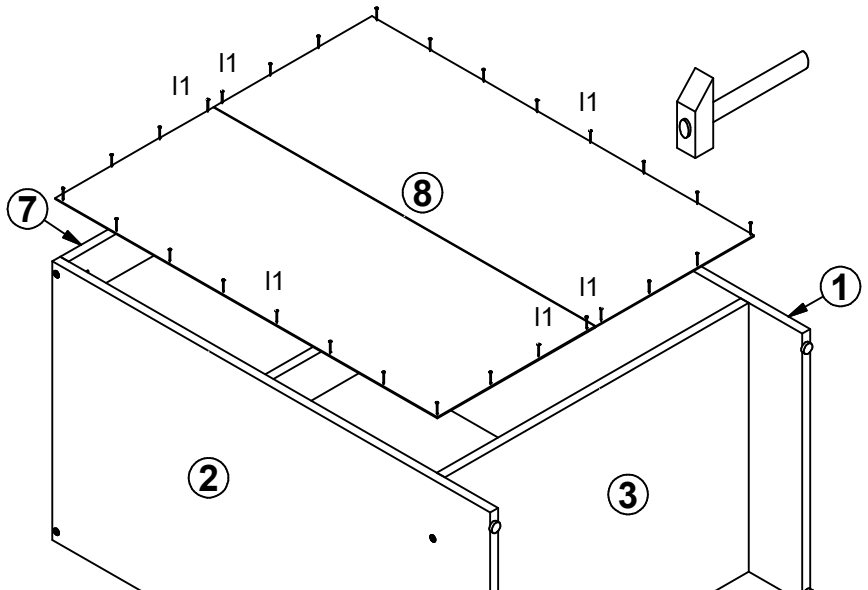
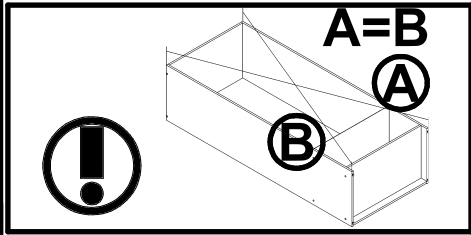
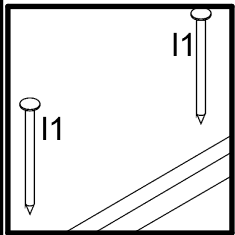
<b>Moduł B , B + A2</b>				
1	K24-107	820	450	1/2
2	K24-108	820	450	1/2
3	K24-341	569	450	1/2
4	K24-342	568	430	1/2
5	K24-423	569	100	1/2
6	K24-424	569	70	1/2
7	K24-425	569	70	1/2
8	K22-926	715	593	1/2



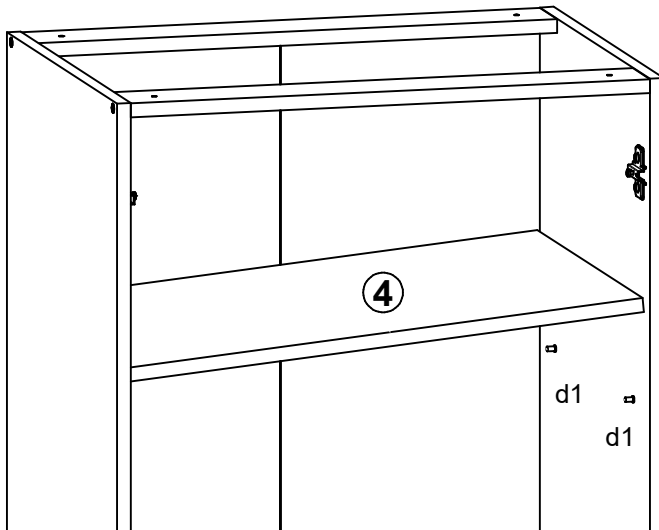
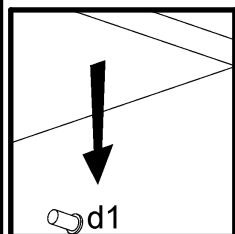
# 2



# 3



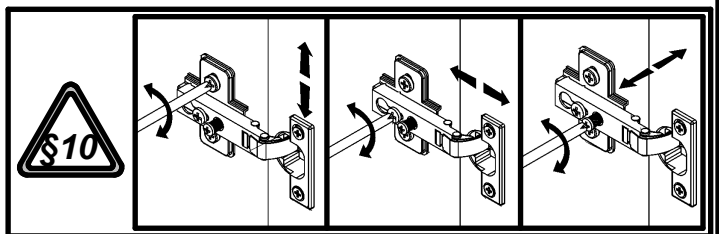
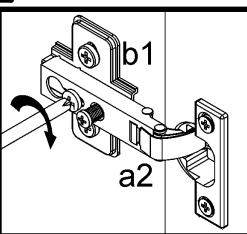
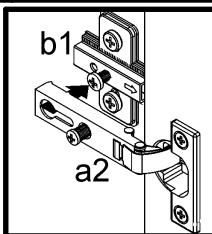
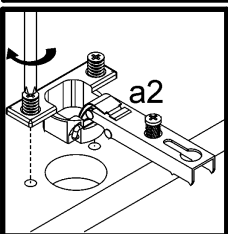
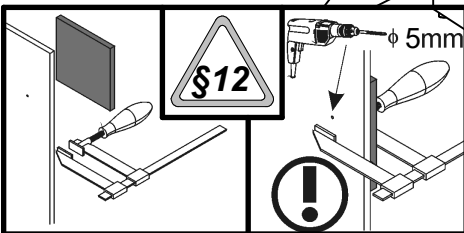
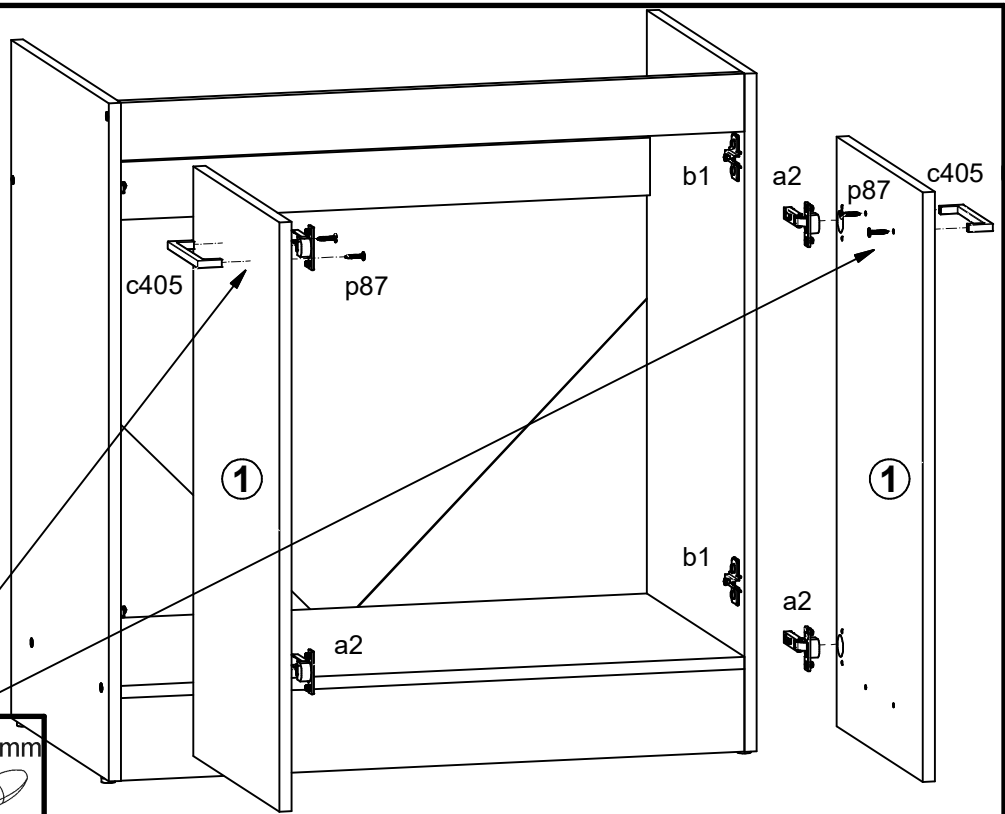
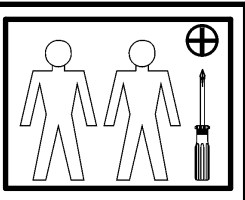
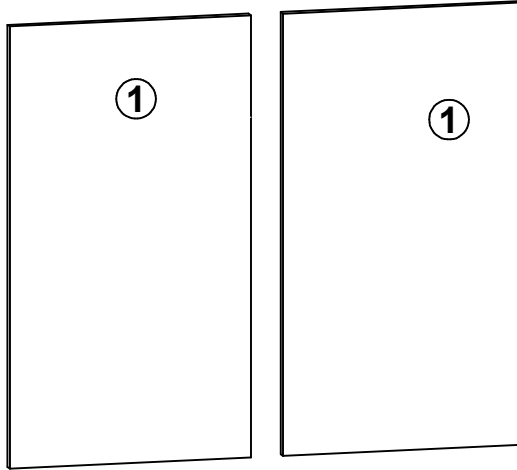
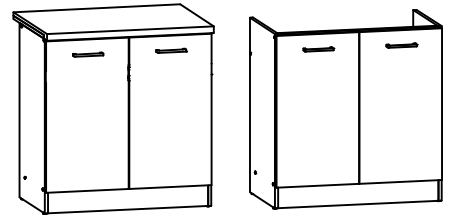
# 4



# Junona Line

K24-DK2D/80/82 K24-D2D/80/82 Moduł A,A+A1,G,G+A1

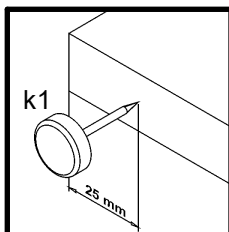
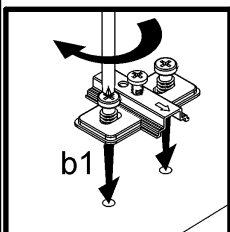
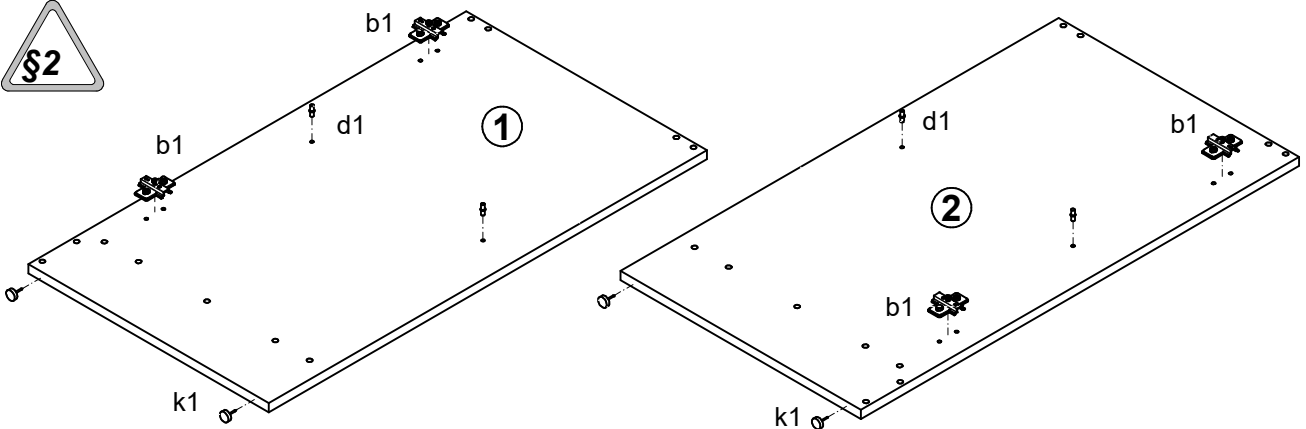
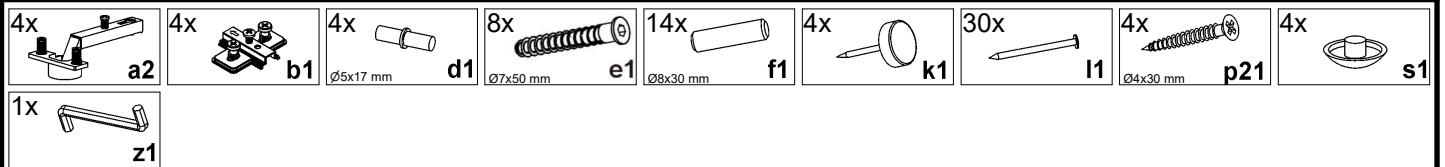
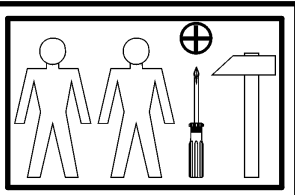
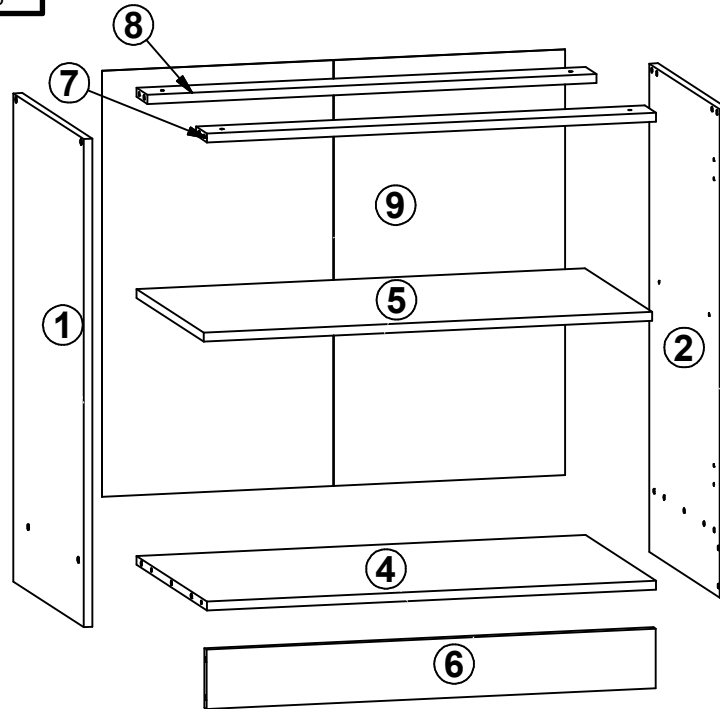
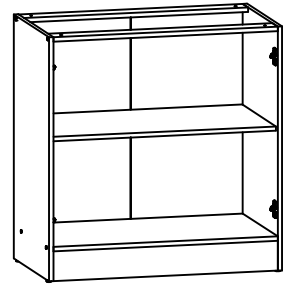
A	B	C	D
K24-DK2D/80/82 K24-D2D/80/82			
1	K24-0101_ A	396	713 2/2
Moduł A,A+A1,G,G+A1			
1	K24-0101_ A	396	713 3/3



# Junona Line

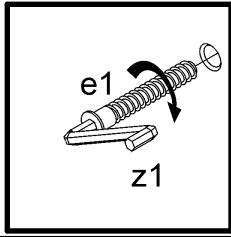
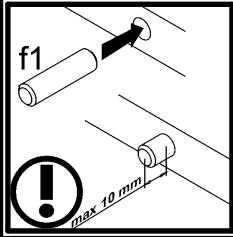
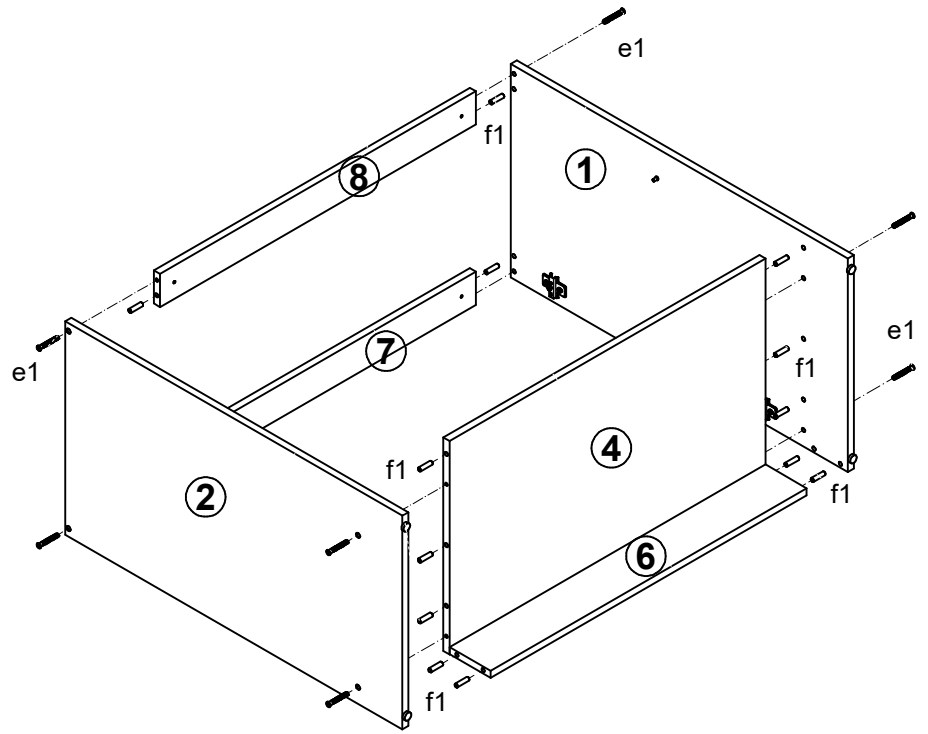
K24-D2D/80/82

A	B	C	D
1	K24-107	820	450 1/3
2	K24-108	820	450 1/3
3	K24-205	800	600 2/3
4	K24-327	769	450 1/3
5	K24-333	768	430 1/3
6	K24-417	769	100 1/3
7	K24-419	769	70 1/3
8	K24-420	769	70 1/3
9	K22-921	715	793 1/3

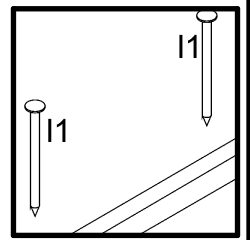
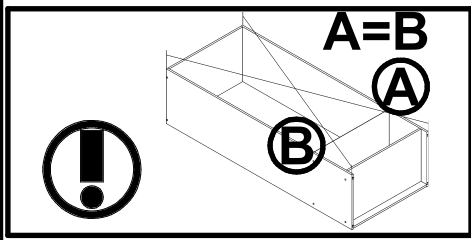
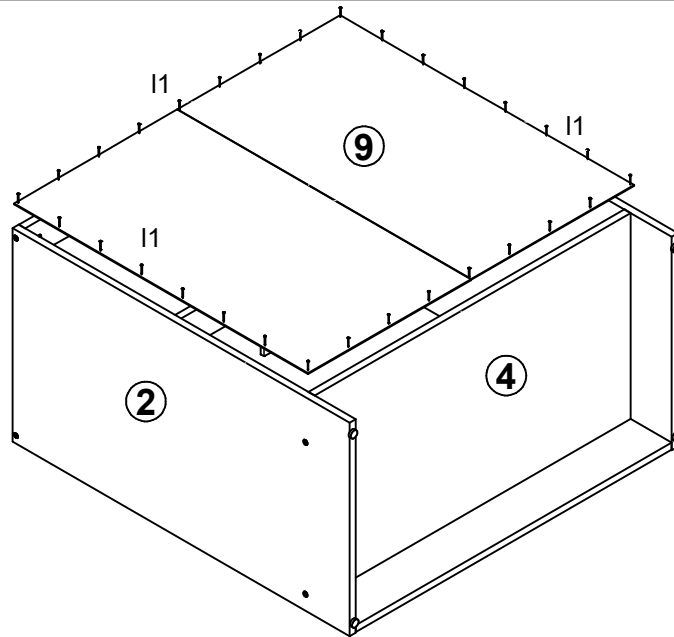




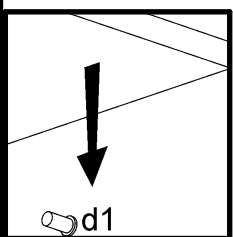
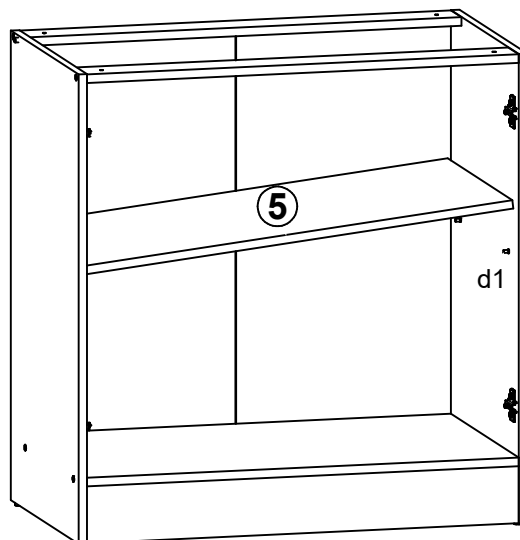
2 



3



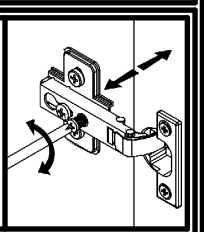
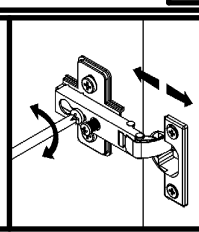
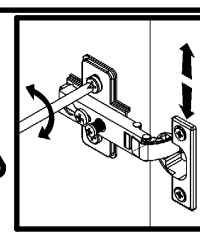
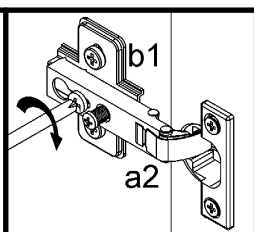
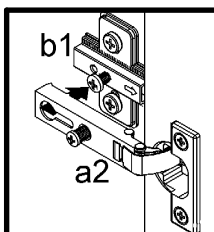
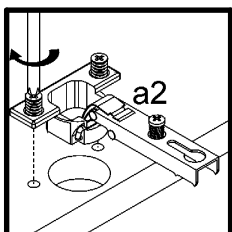
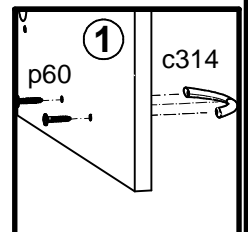
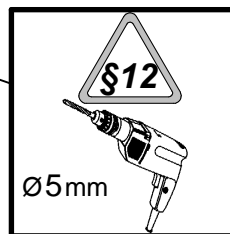
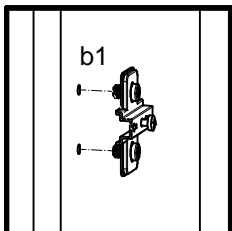
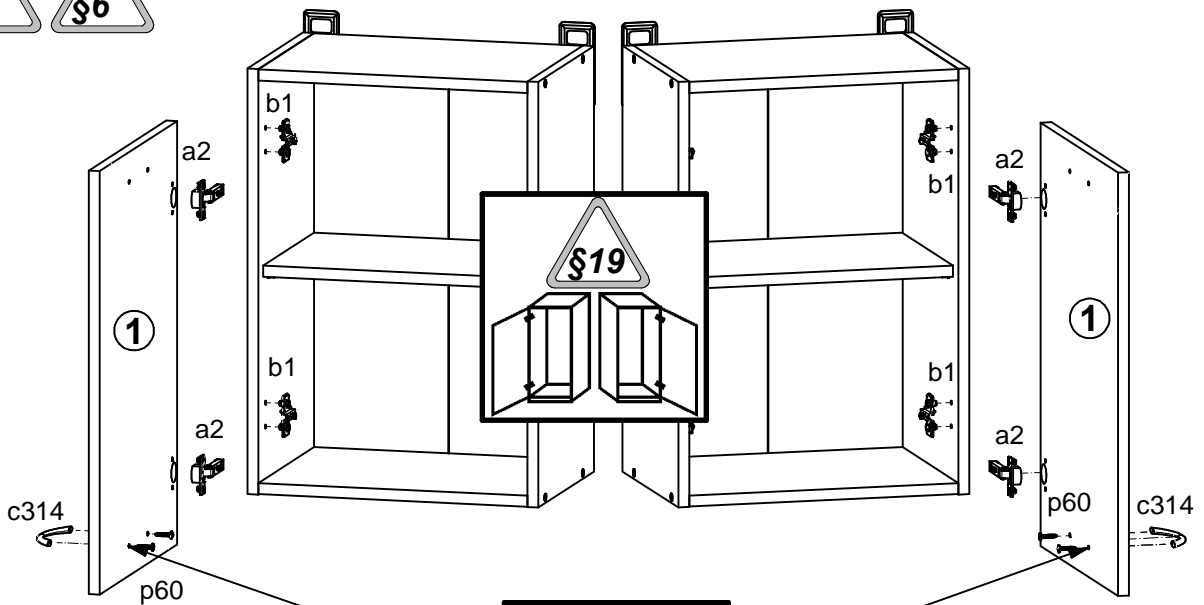
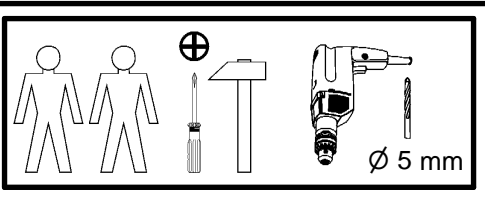
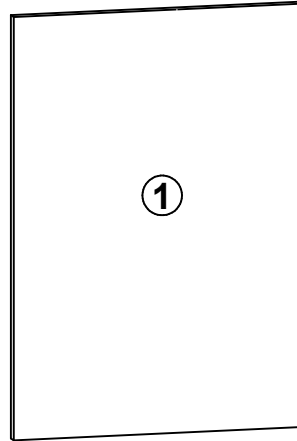
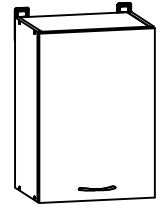
4



# Junona Line

K22-G1D/40/57-LP

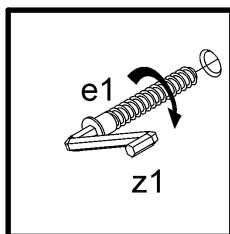
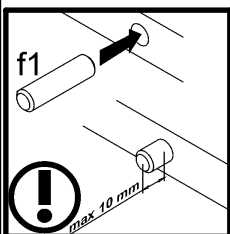
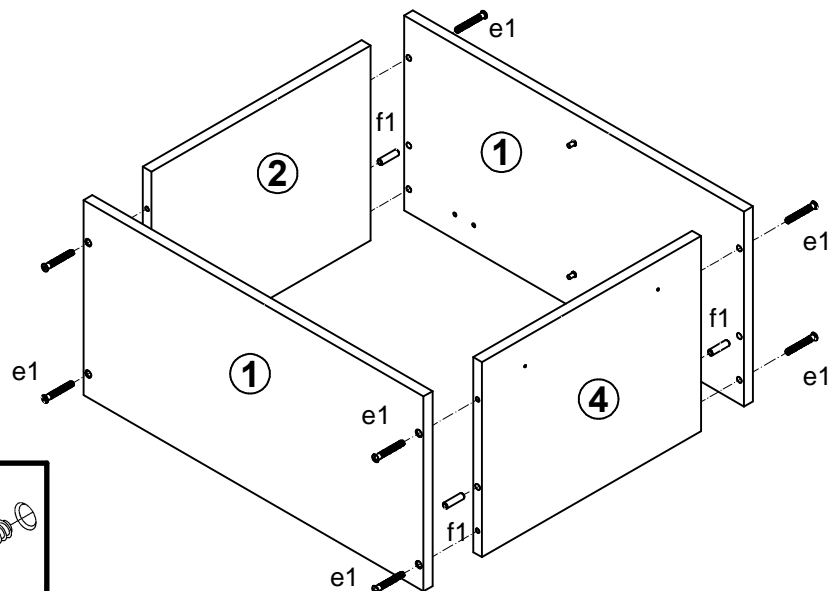
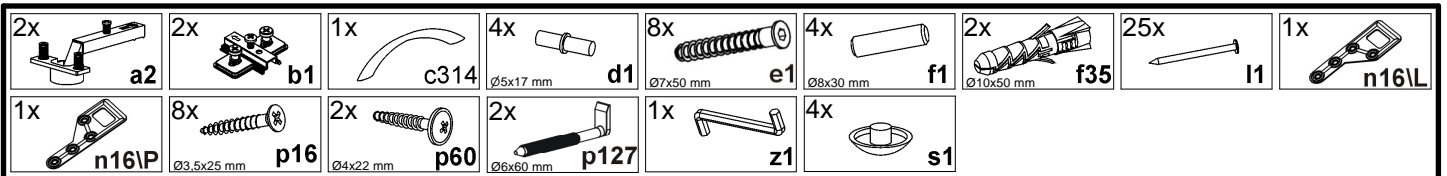
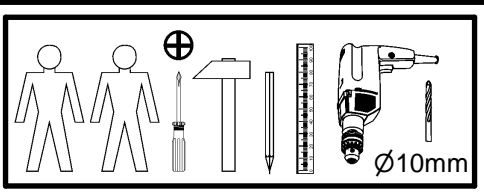
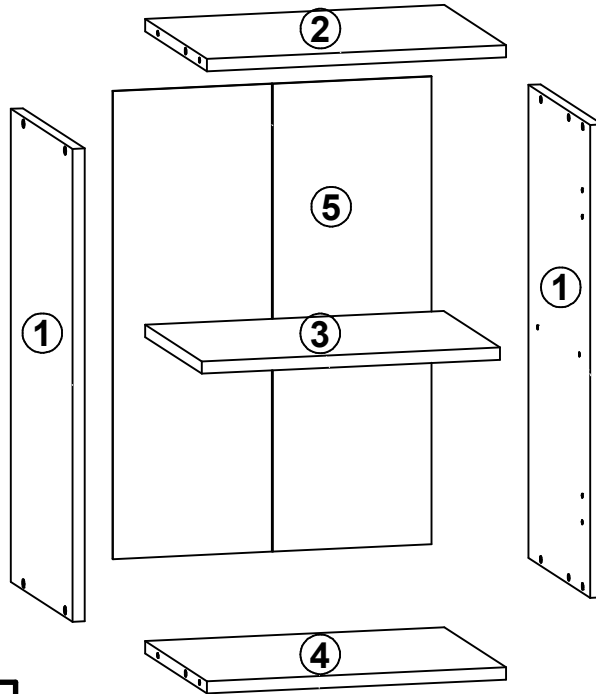
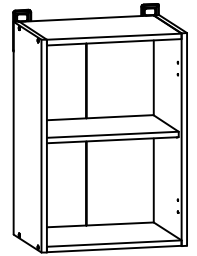
A	B	C	D
1	K22-029	396	570
			2/2



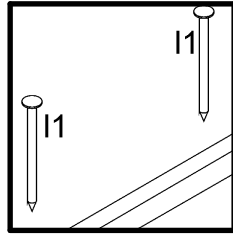
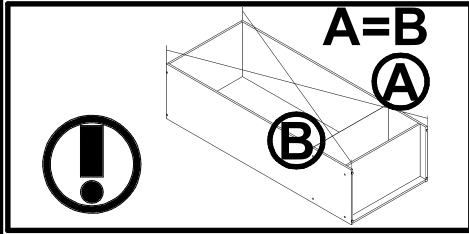
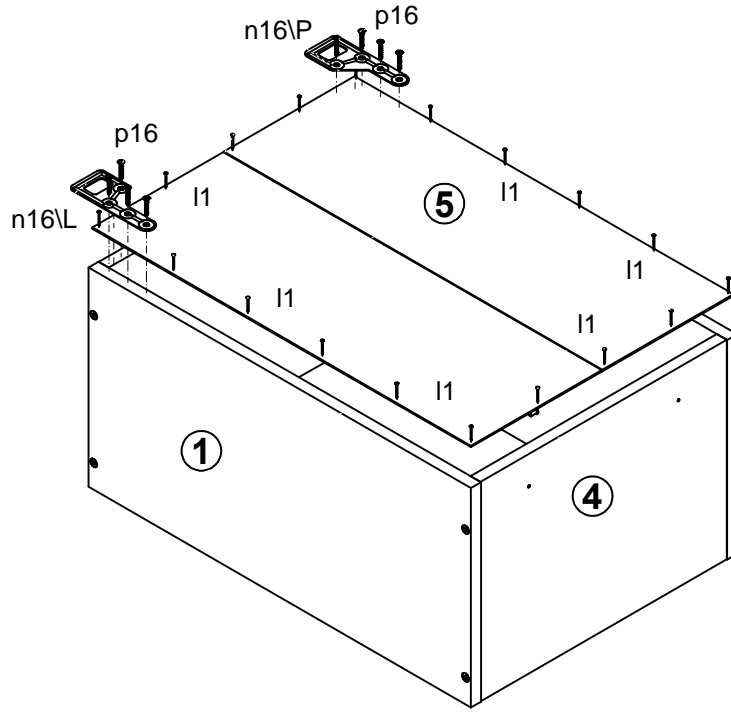
# Junona Line

# K22-G1D/40/57-LP

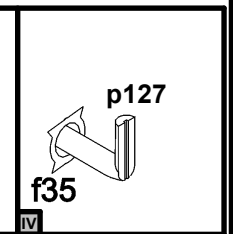
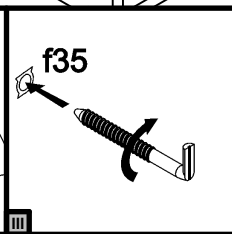
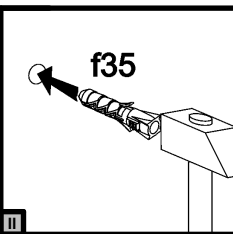
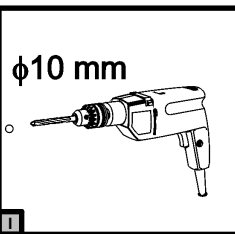
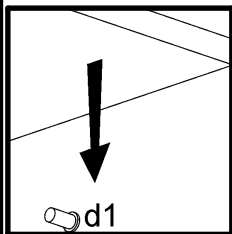
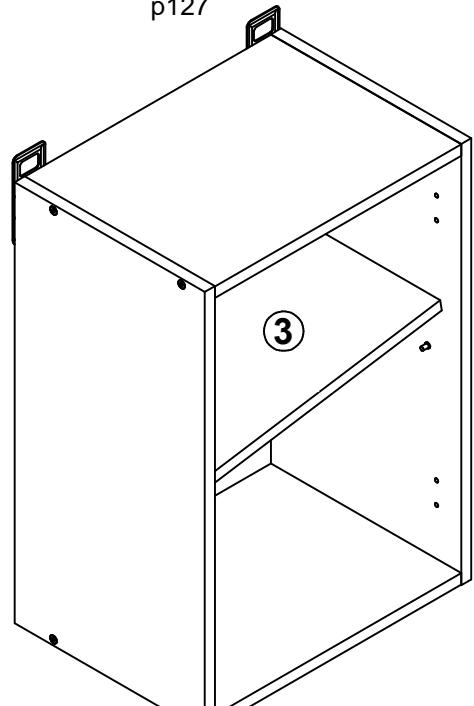
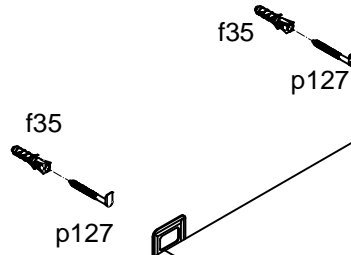
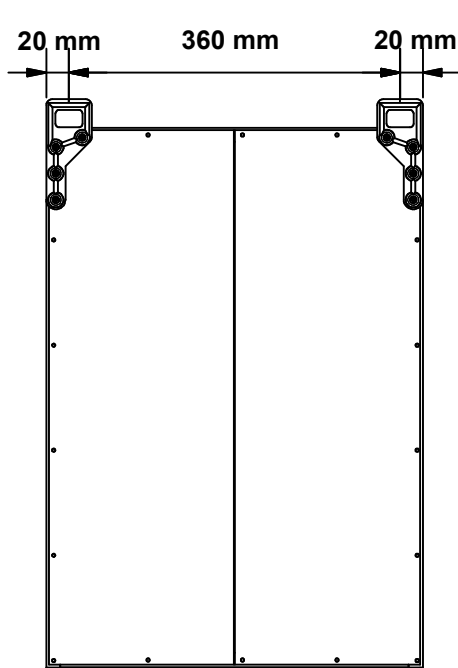
A	B	C	D
1	K22-101	573	285
2	K22-311	369	285
3	K22-312	368	260
4	K22-323	369	285
5	K22-908	567	393



**2** §6



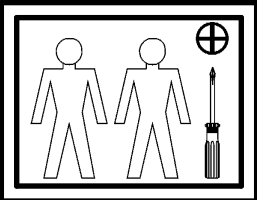
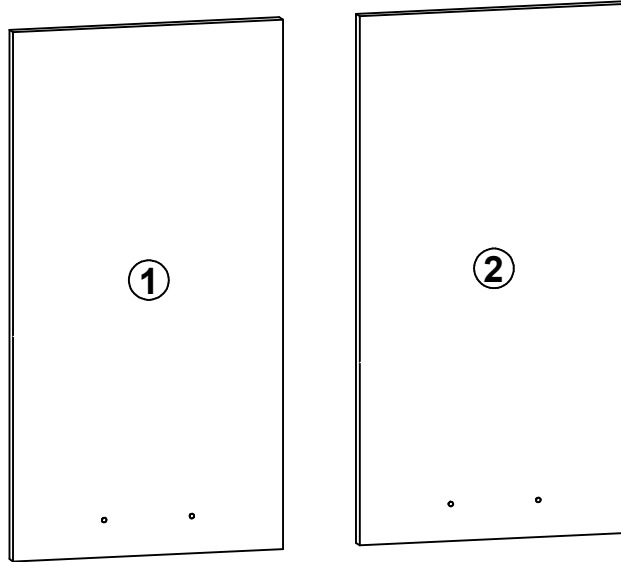
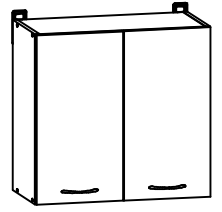
**3**



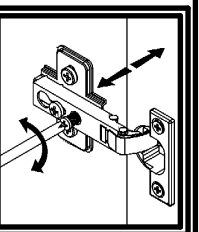
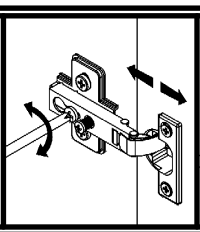
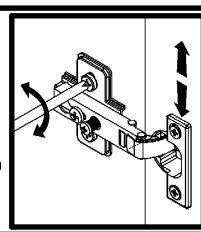
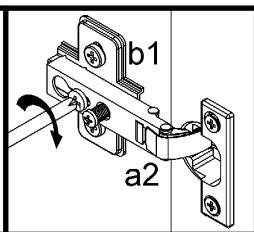
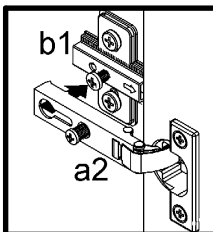
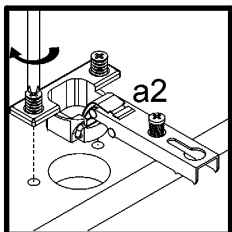
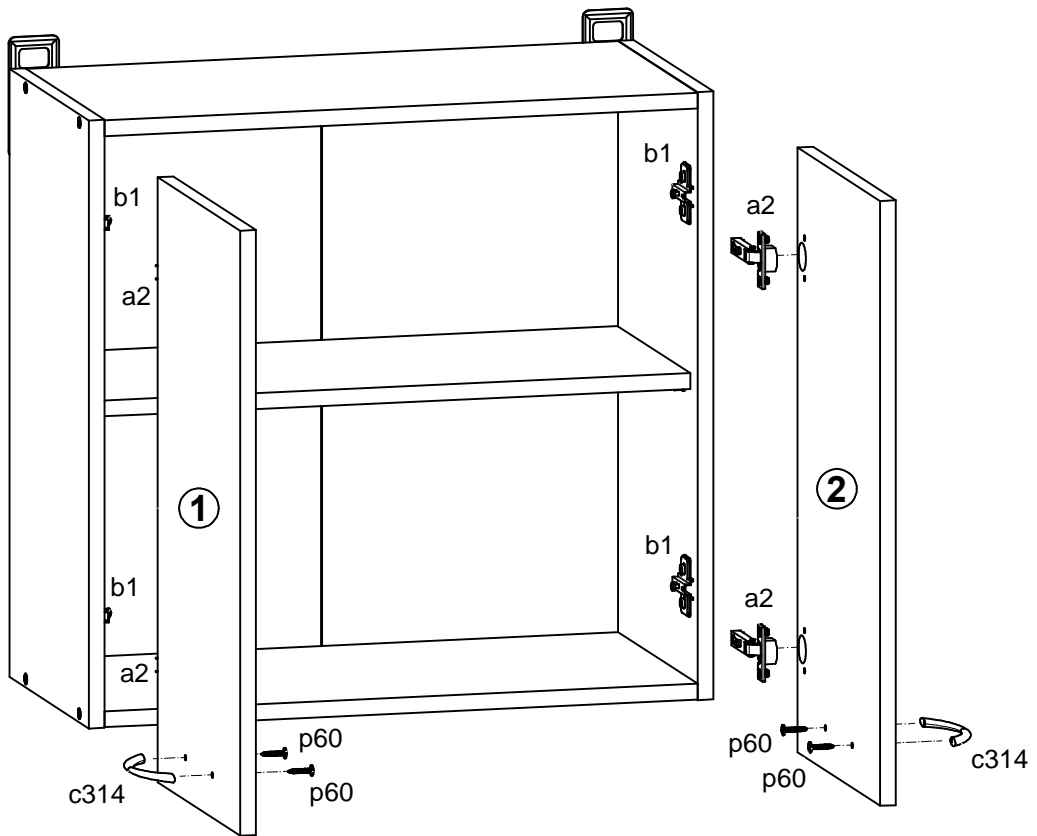
# Junona Line

K22-G2D/60/57

A	B	C	D
1	K22-037	296	570
2	K22-038	296	570



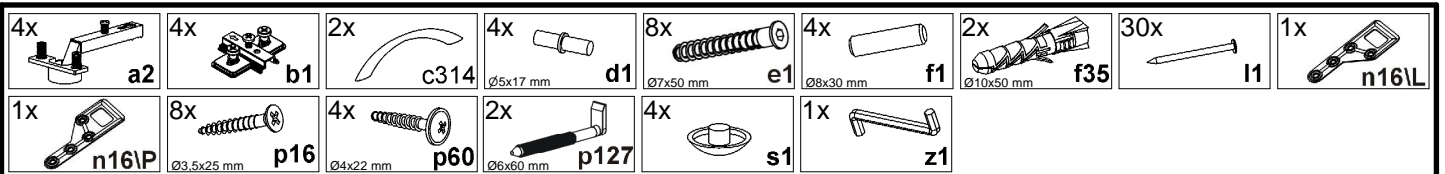
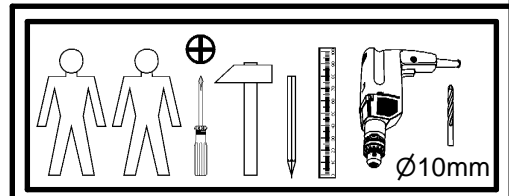
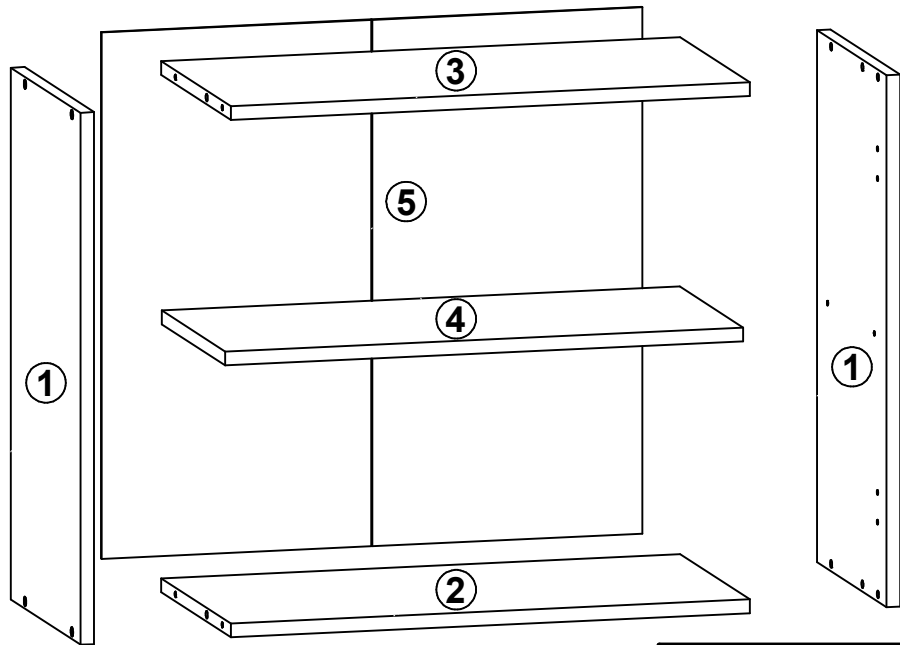
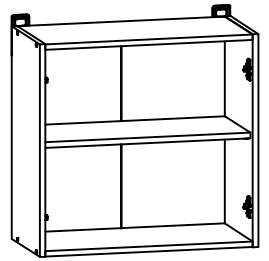
1



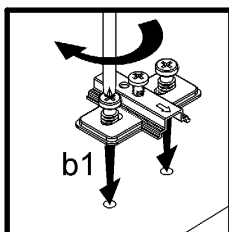
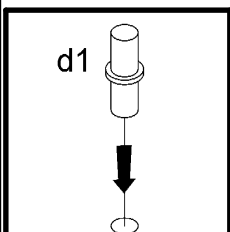
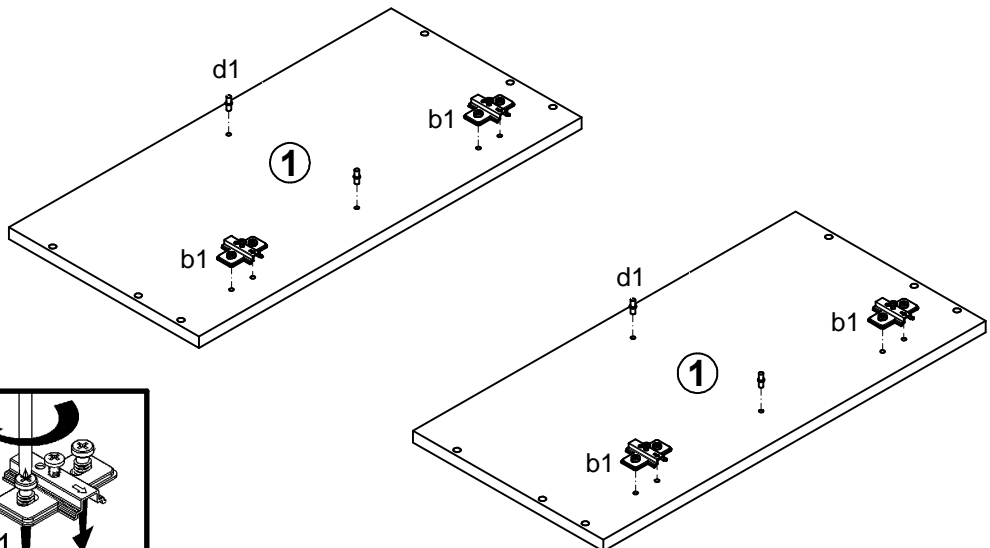
# Junona Line

K22-G2D/60/57

A	B	C	D	
1	K22-101	573	285	1/2
2	K22-330	569	285	1/2
3	K22-343	569	285	1/2
4	K22-344	568	260	1/2
5	K22-927	567	593	1/2

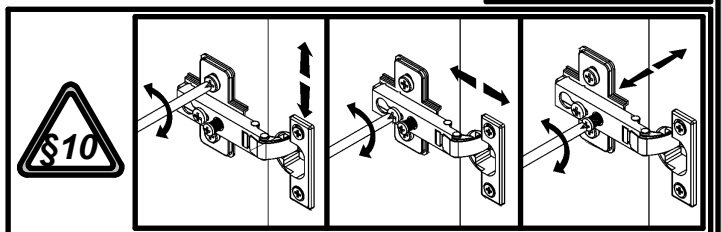
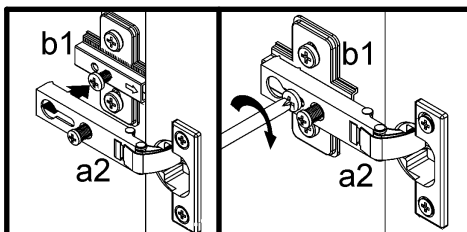
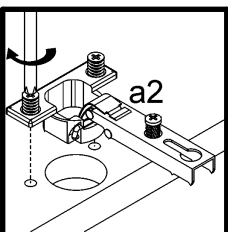
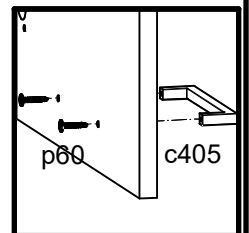
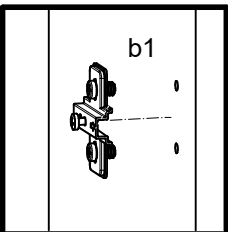
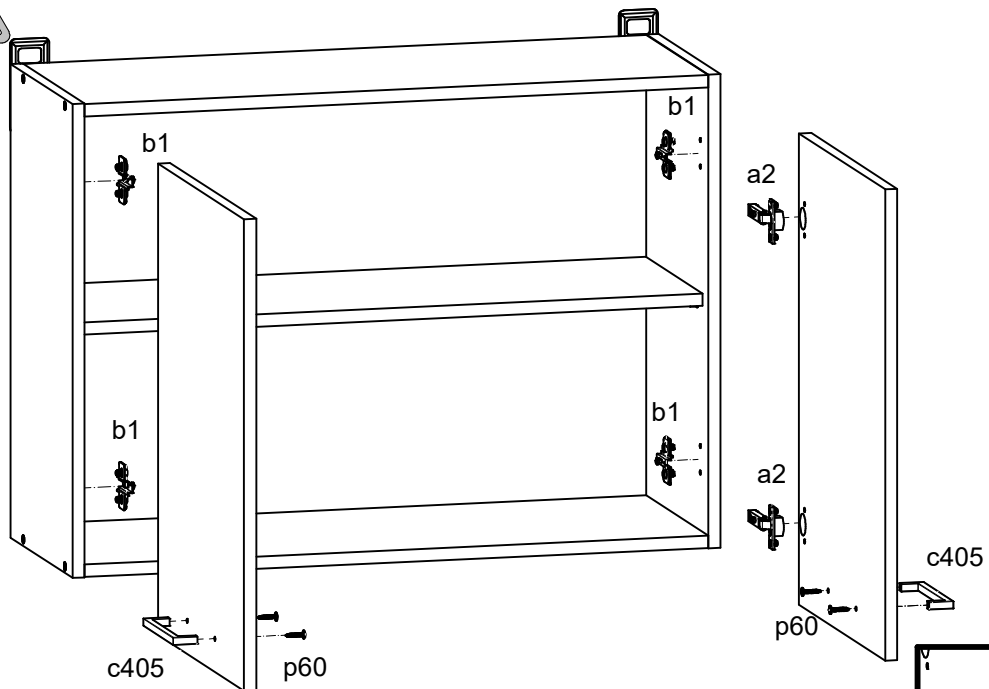
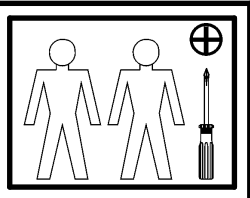
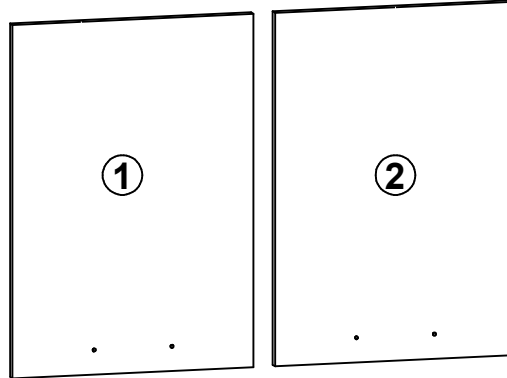
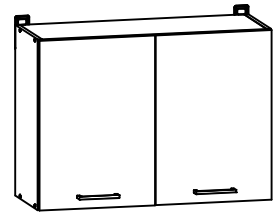


**1** §2





A	B	C	D
K24-G1D/40/57-LP			
1	K24-008	396	570 2/2
2	K24-013	396	570 2/2
Moduł G,G+A1			
1	K24-008	396	570 3/3
2	K24-013	396	570 3/3

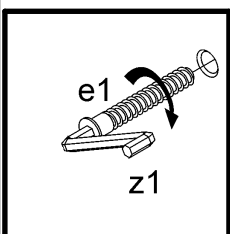
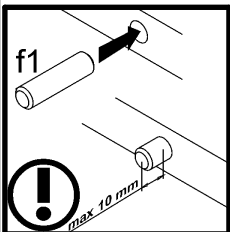
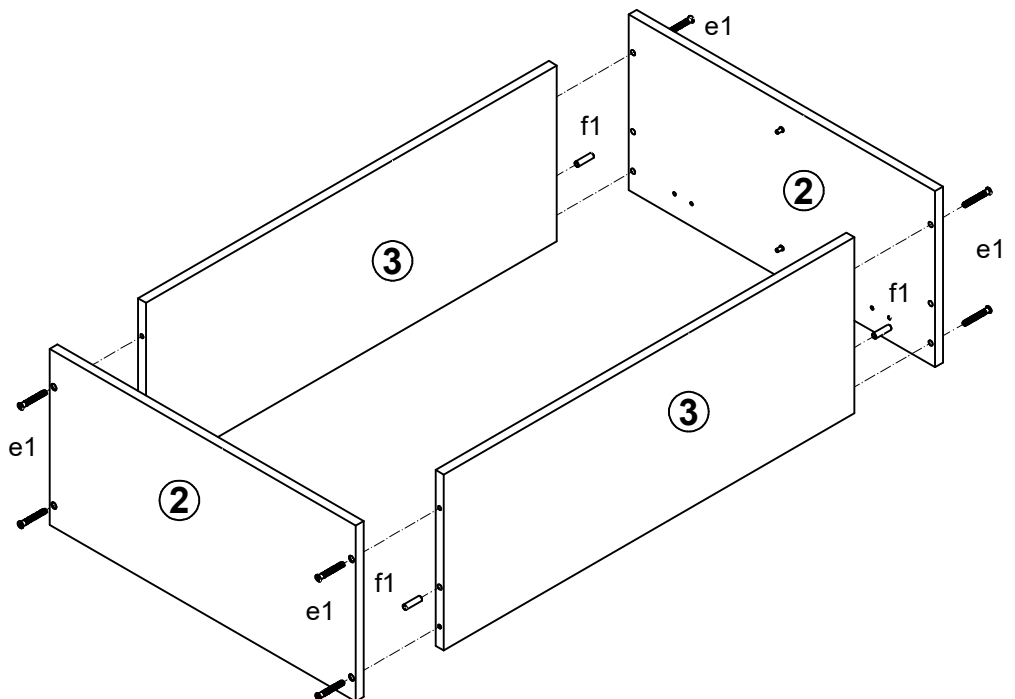
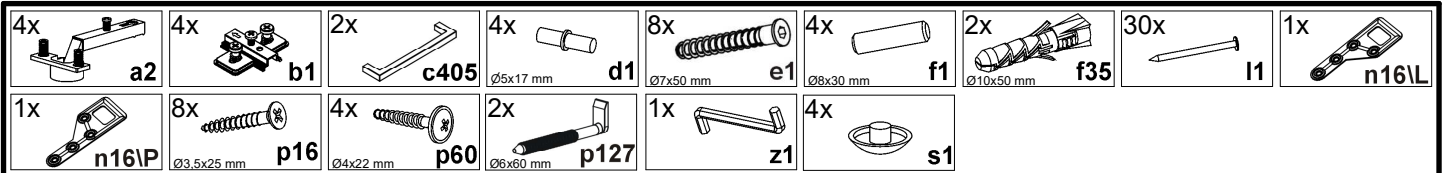
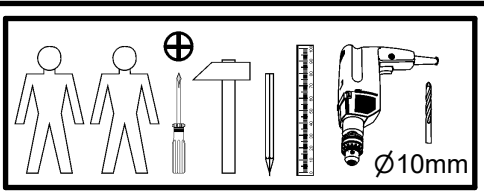
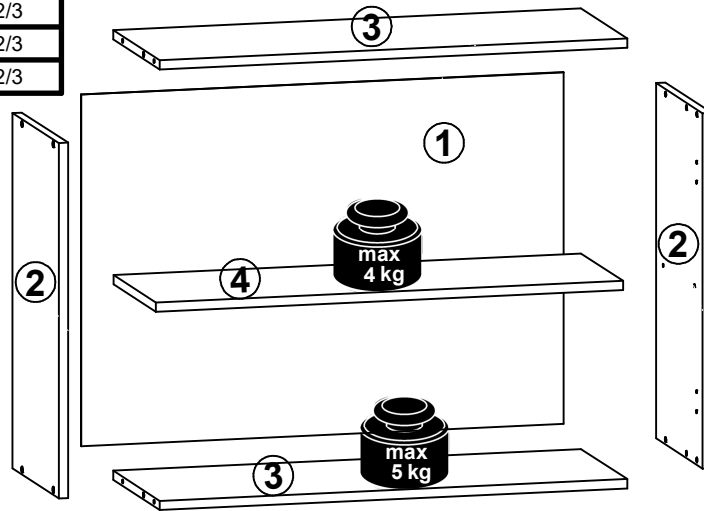
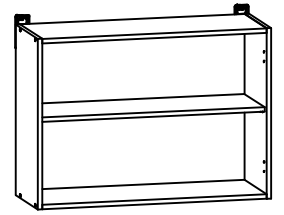




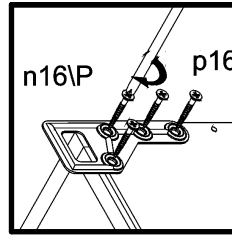
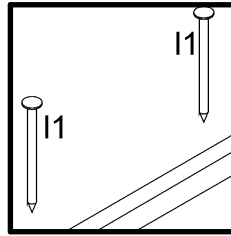
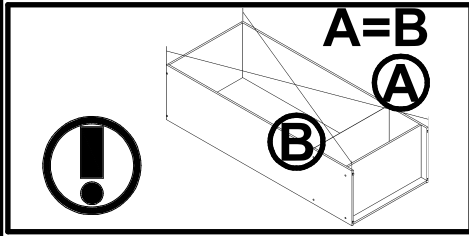
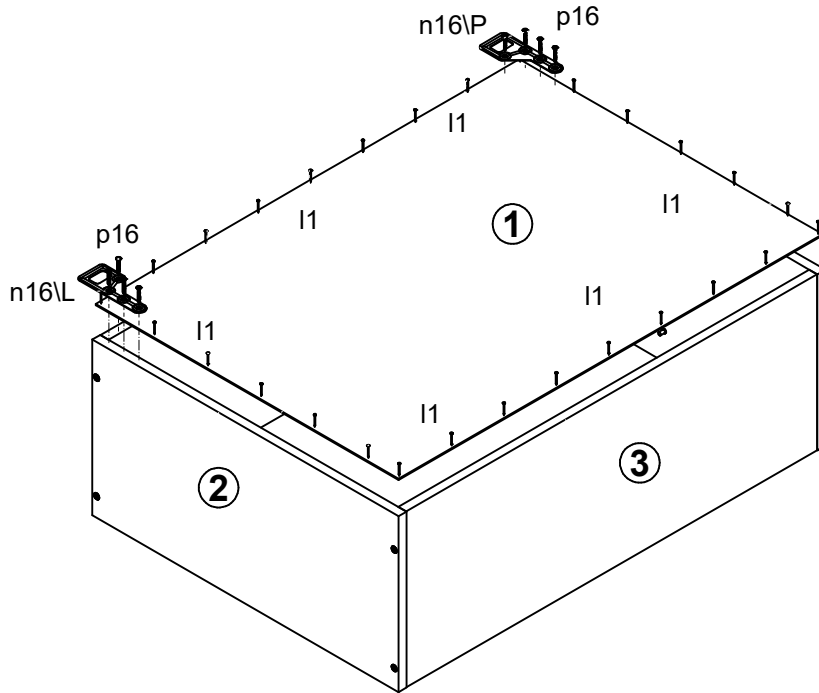
# Junona Line

# K24-G2D/80/57 Moduł G , G + A1

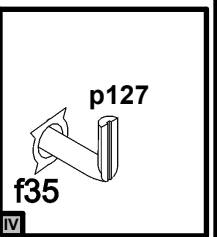
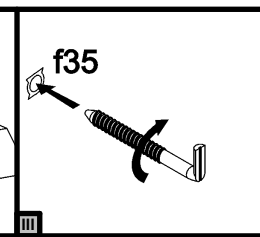
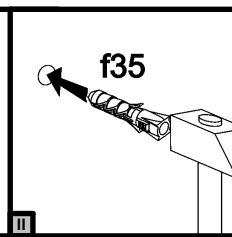
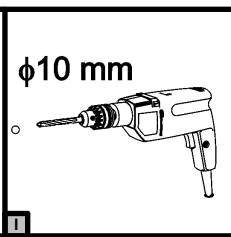
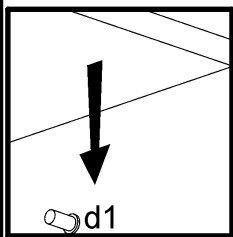
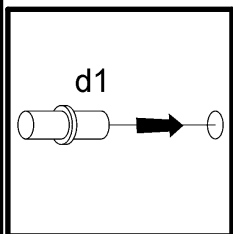
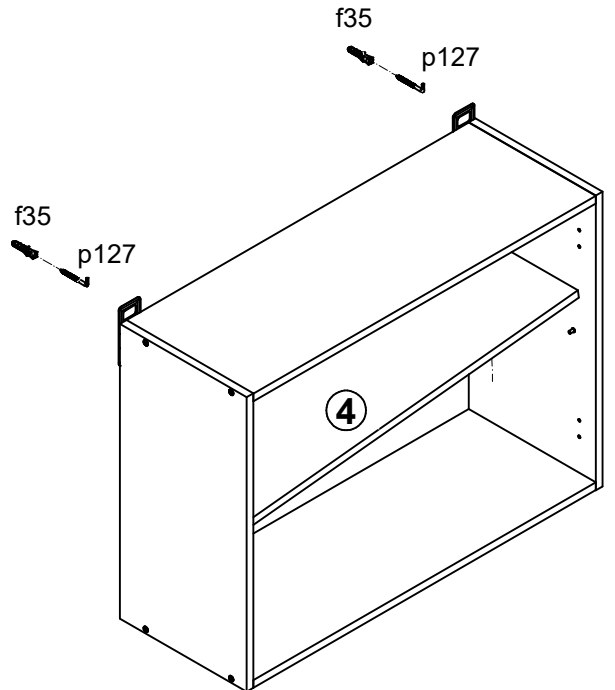
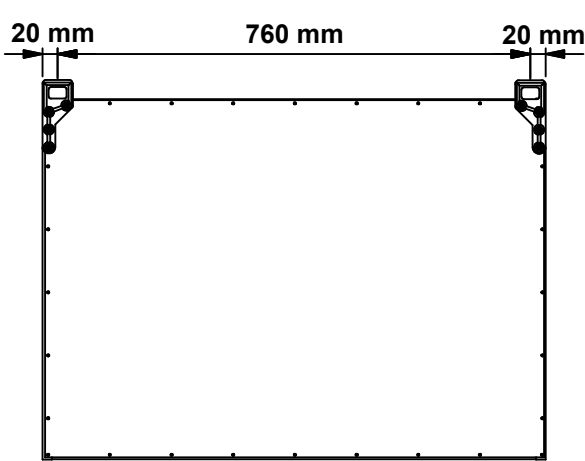
A	B	C	D
<b>K24-G2W/80/57</b>			
1	K22-919	567	793
2	K24-101	573	285
3	K24-328	769	285
4	K24-329	768	260
<b>Moduł G , G + A1</b>			
1	K22-919	567	793
2	K24-120	573	285
3	K24-328	769	285
4	K24-329	768	260



**2** §6



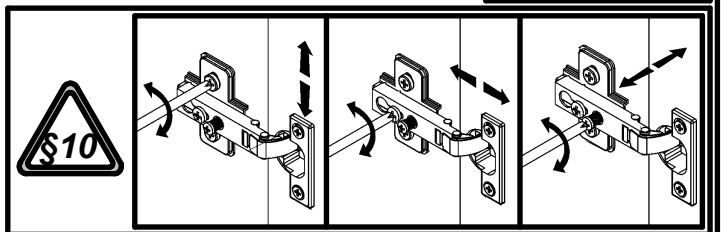
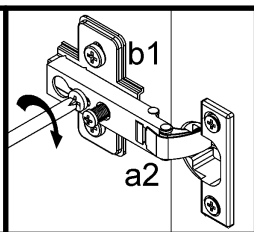
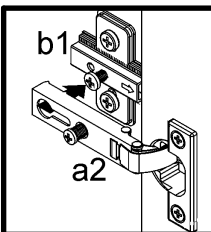
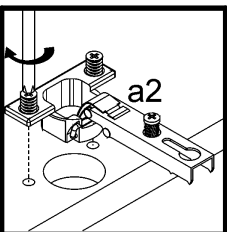
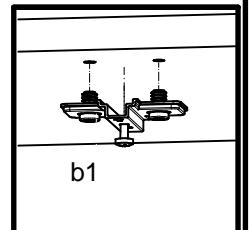
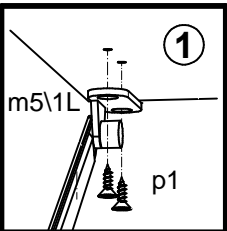
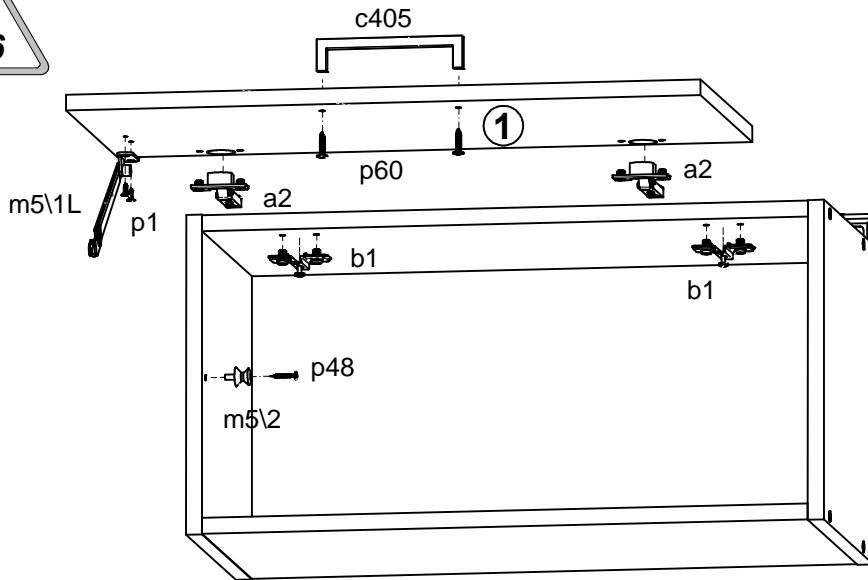
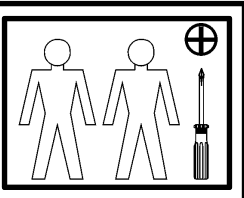
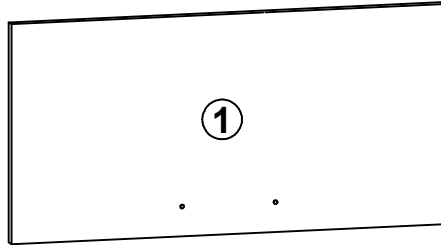
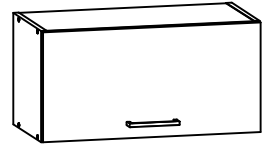
**3**



# Junona Line

K24-GO/60/30

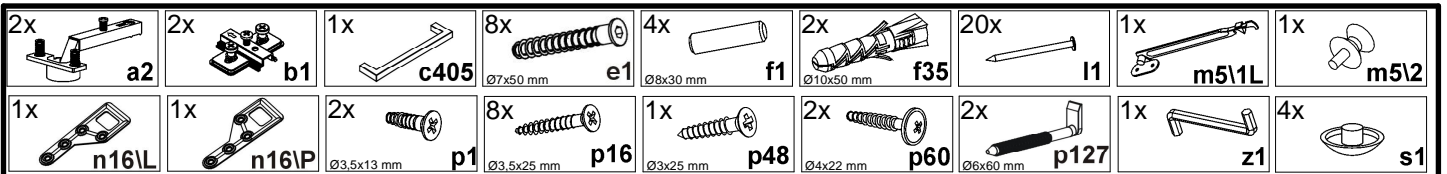
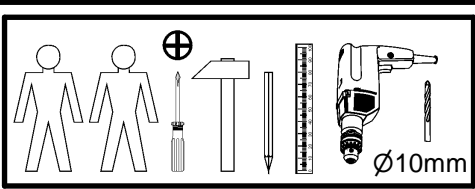
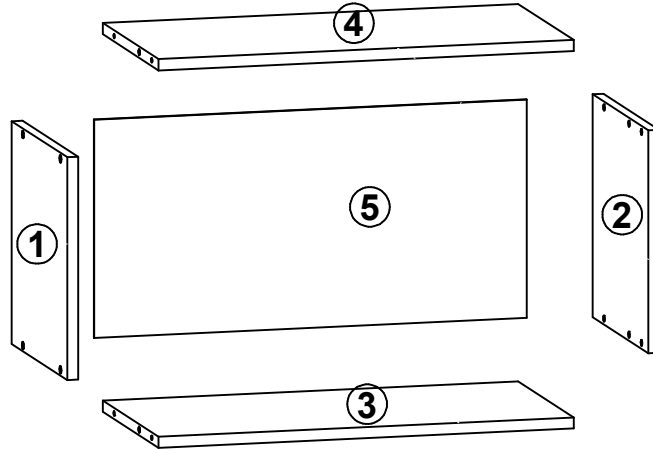
A	B	C	D
1	K24-019	596	296 2/2



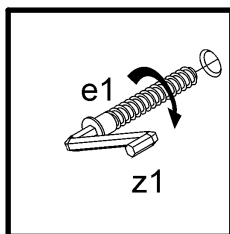
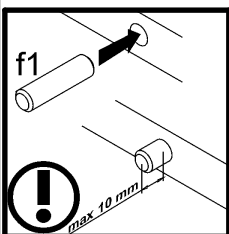
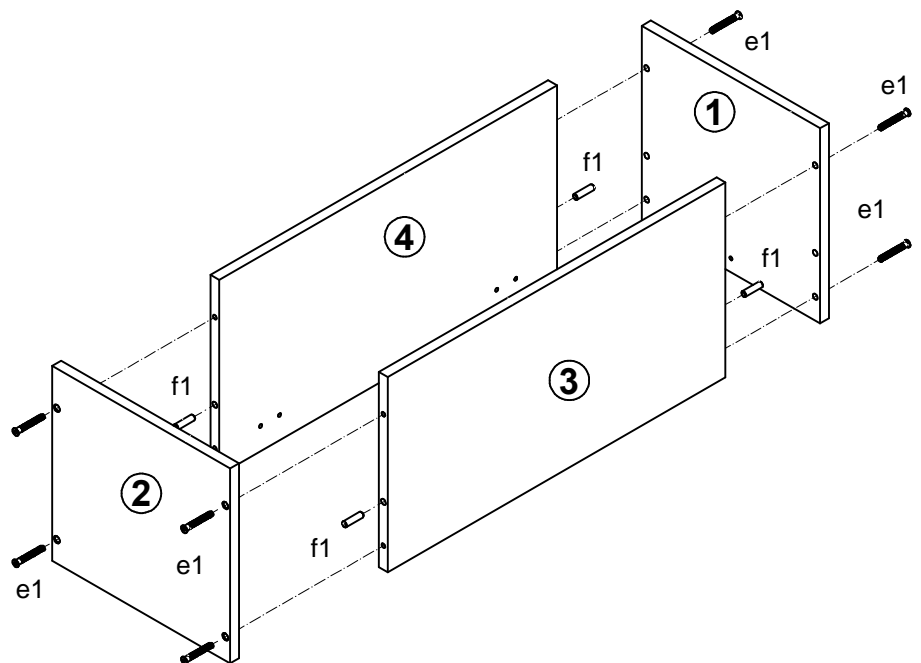
# Junona Line

K24-GO/60/30

A	B	C	D
1	K24-118	300	285
2	K24-119	300	285
3	K24-330	569	285
4	K24-331	569	285
5	K22-920	593	294



**1** §2



**2** §6

