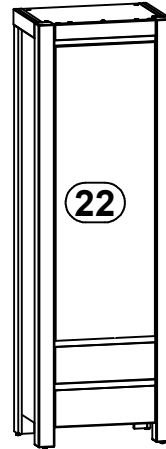


# AUGUST

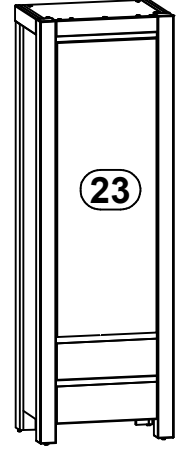
A	B	C	D	
1	S83-013	484	176	5/6
2	S83-136	1900	372	1/6
3	S83-137	1900	372	1/6
4	S83-138	406	100	2/6
5	S83-1575	376	76	4/6
6	S83-1576	488	76	4/6
7	S83-311	566	429	2/6
8	S83-318	566	429	2/6
9	S83-319	566	429	2/6
10	S83-329	565	371	3/6
11	S83-405	488	60	2/6
12	S83-571	1990	76	4/6
13	S83-572	1990	76	4/6
14	S83-573	1914	76	4/6
15	S83-574	1914	76	4/6
16	S83-575	90	60	4/6
17	S83-910	450	398	2/6
18	S83-919	1890	595	1/6
19	ZS1-517	400	120	2/6
20	ZS1-518	400	120	2/6
21	ZS1-6530	439	120	2/6



**S83-REG1D2SL**



**S83-REG1D2SP**

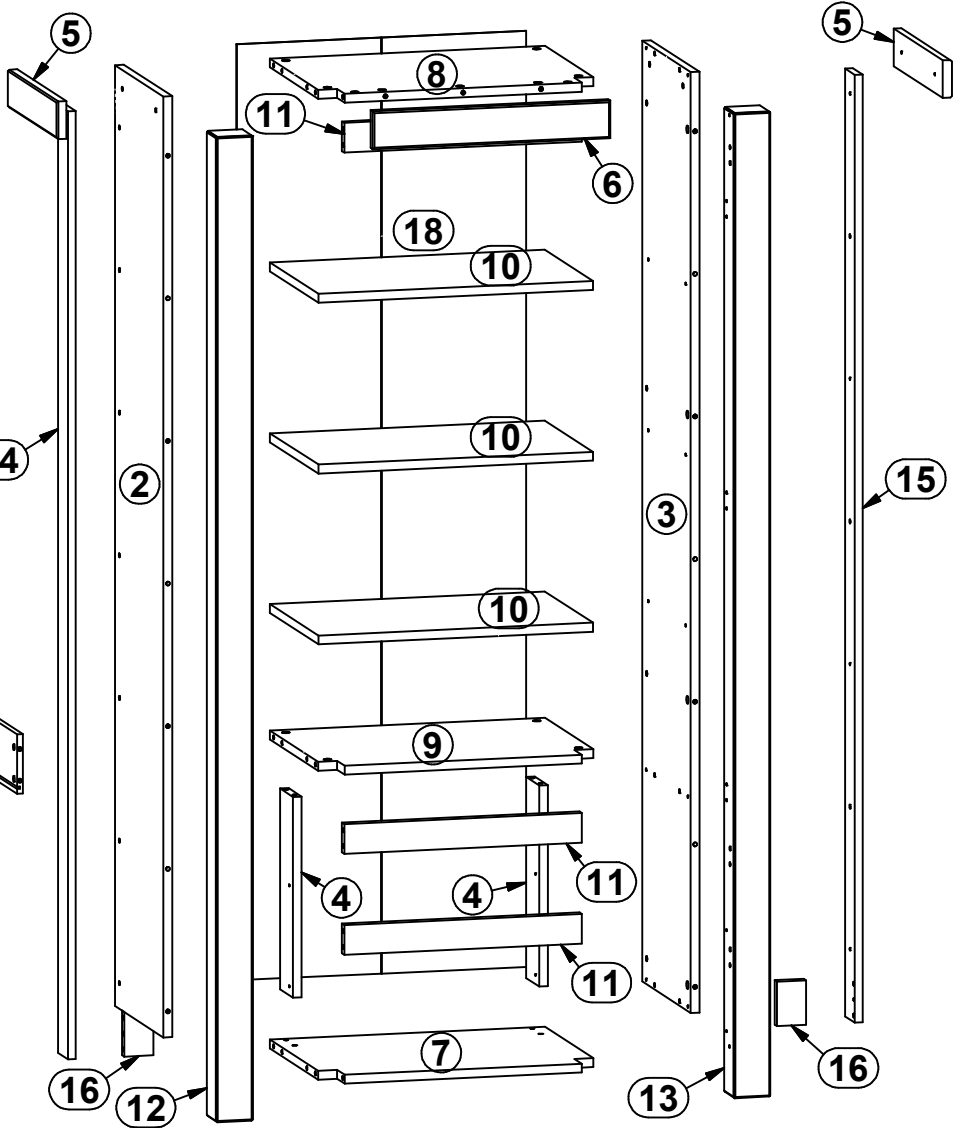
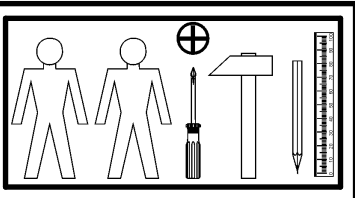
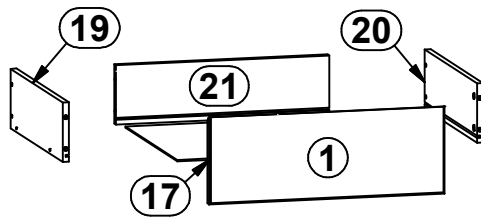


**S83-REG1D2SL**

A	B	C	D	
22	S83-024	1388	484	6/6

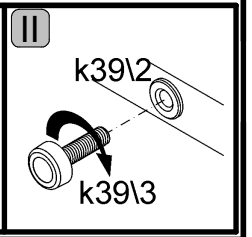
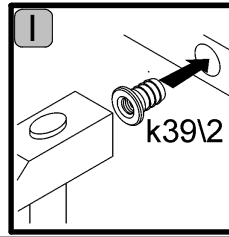
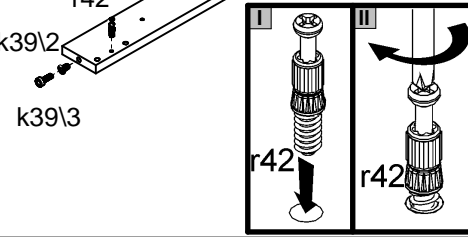
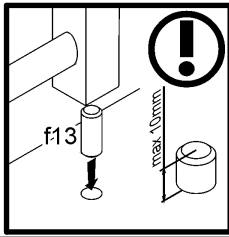
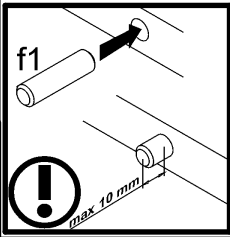
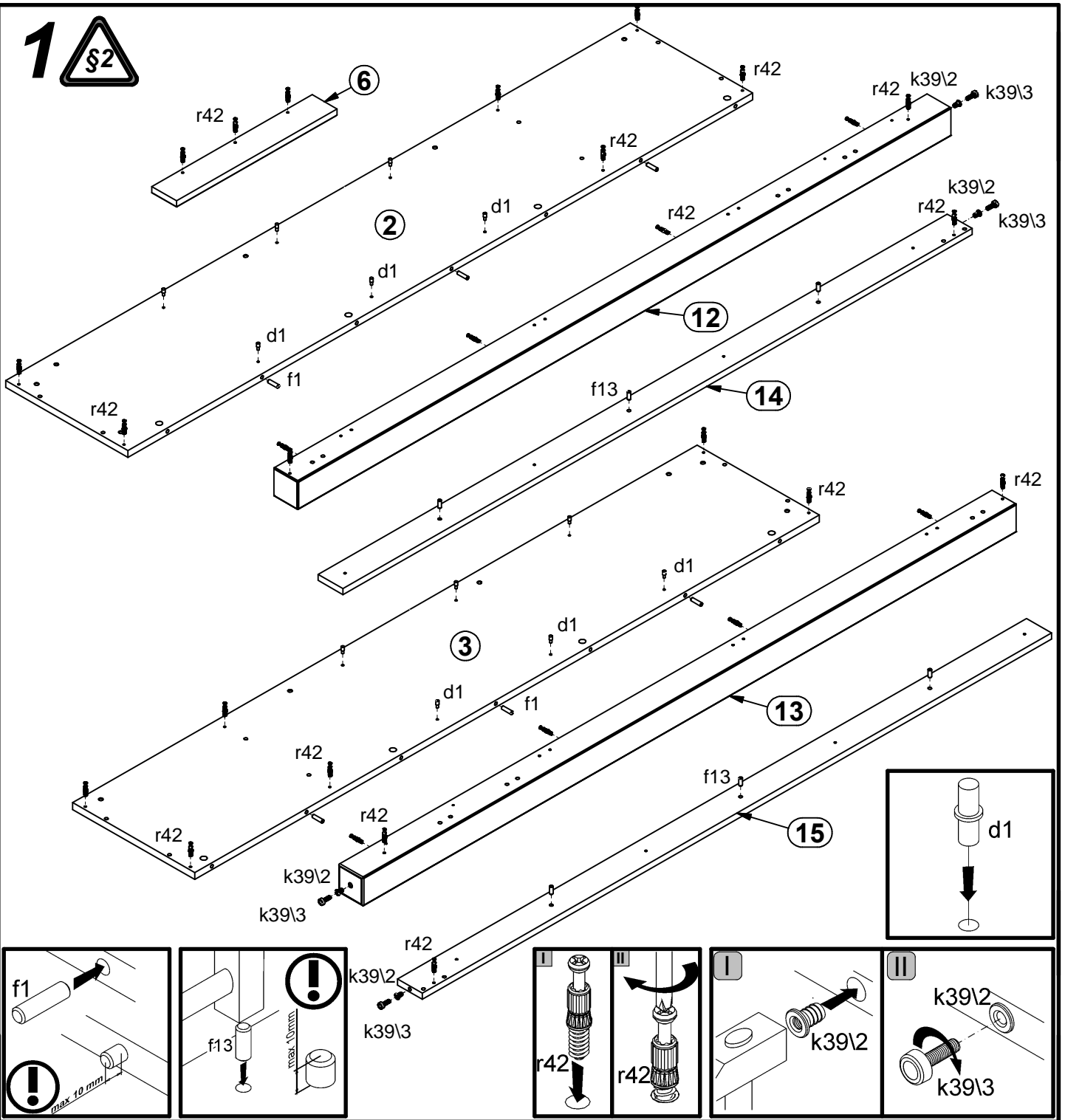
**S83-REG1D2SP**

A	B	C	D	
23	S83-025	1388	484	6/6

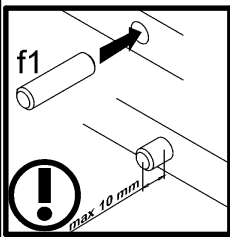
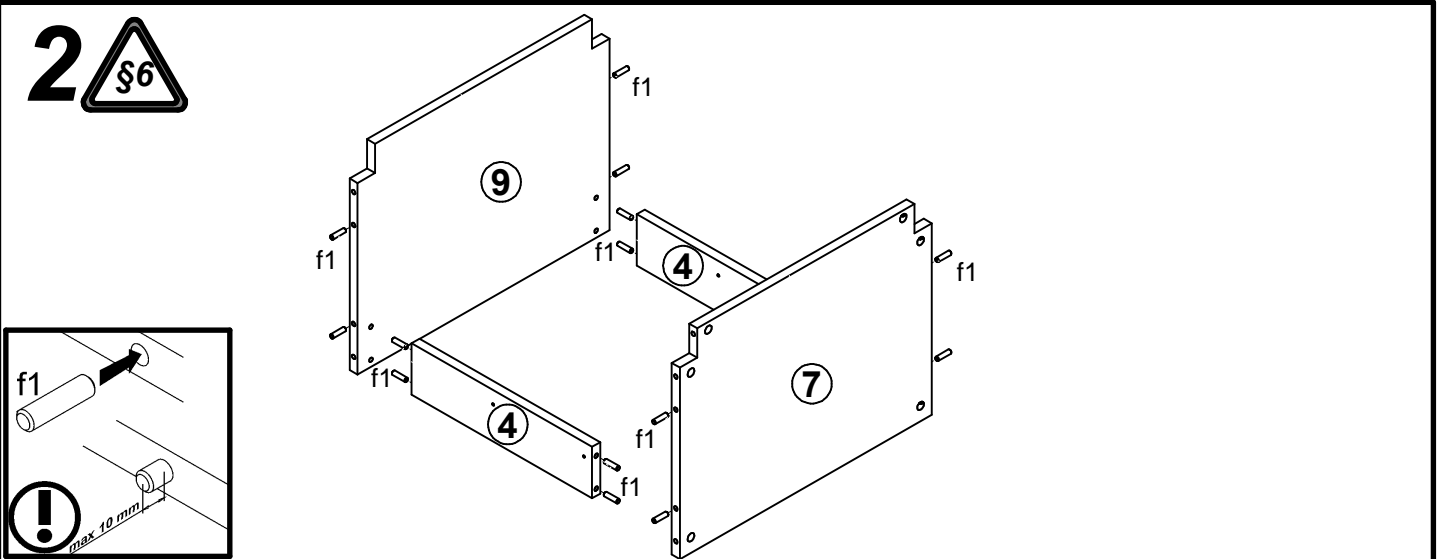


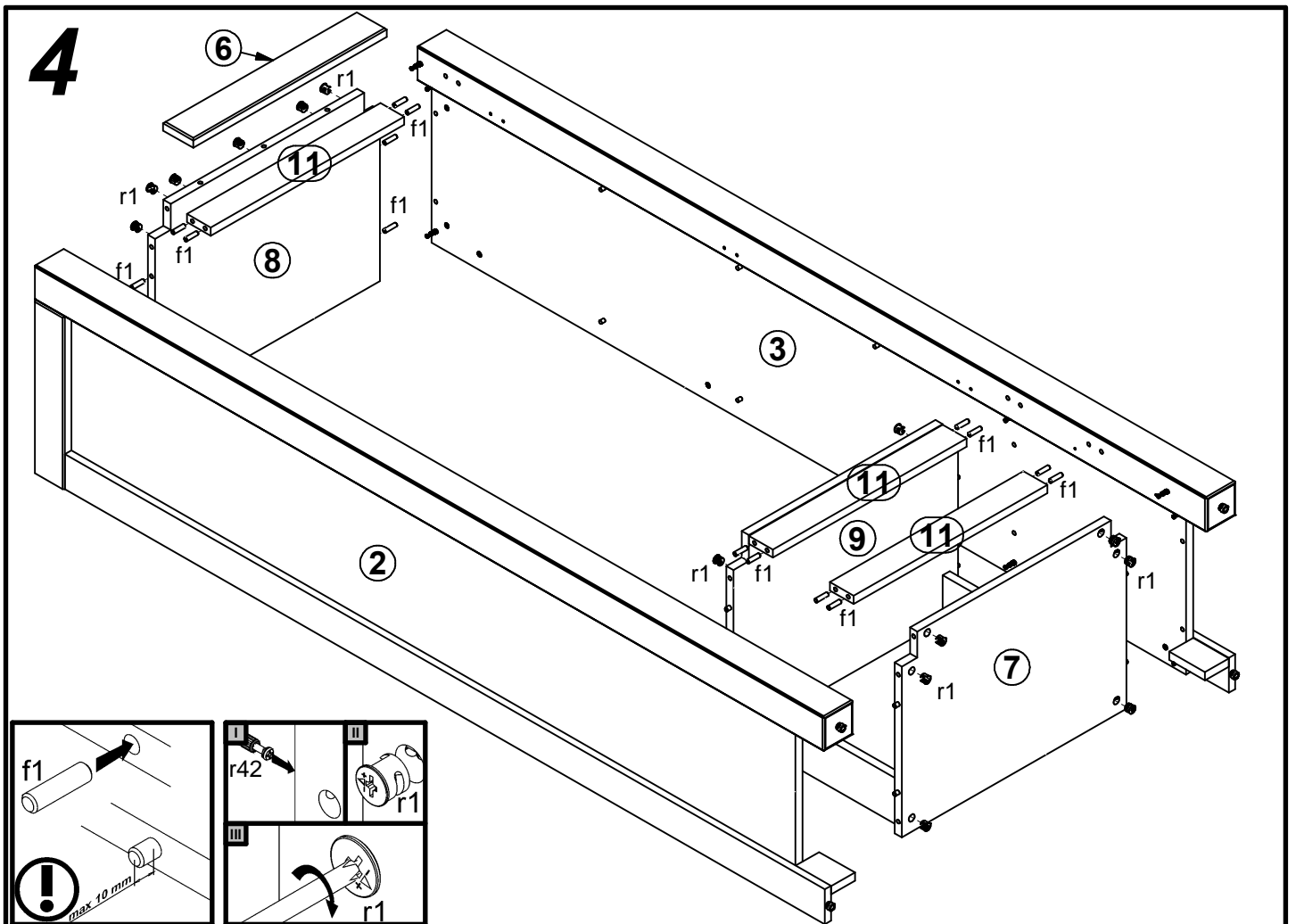
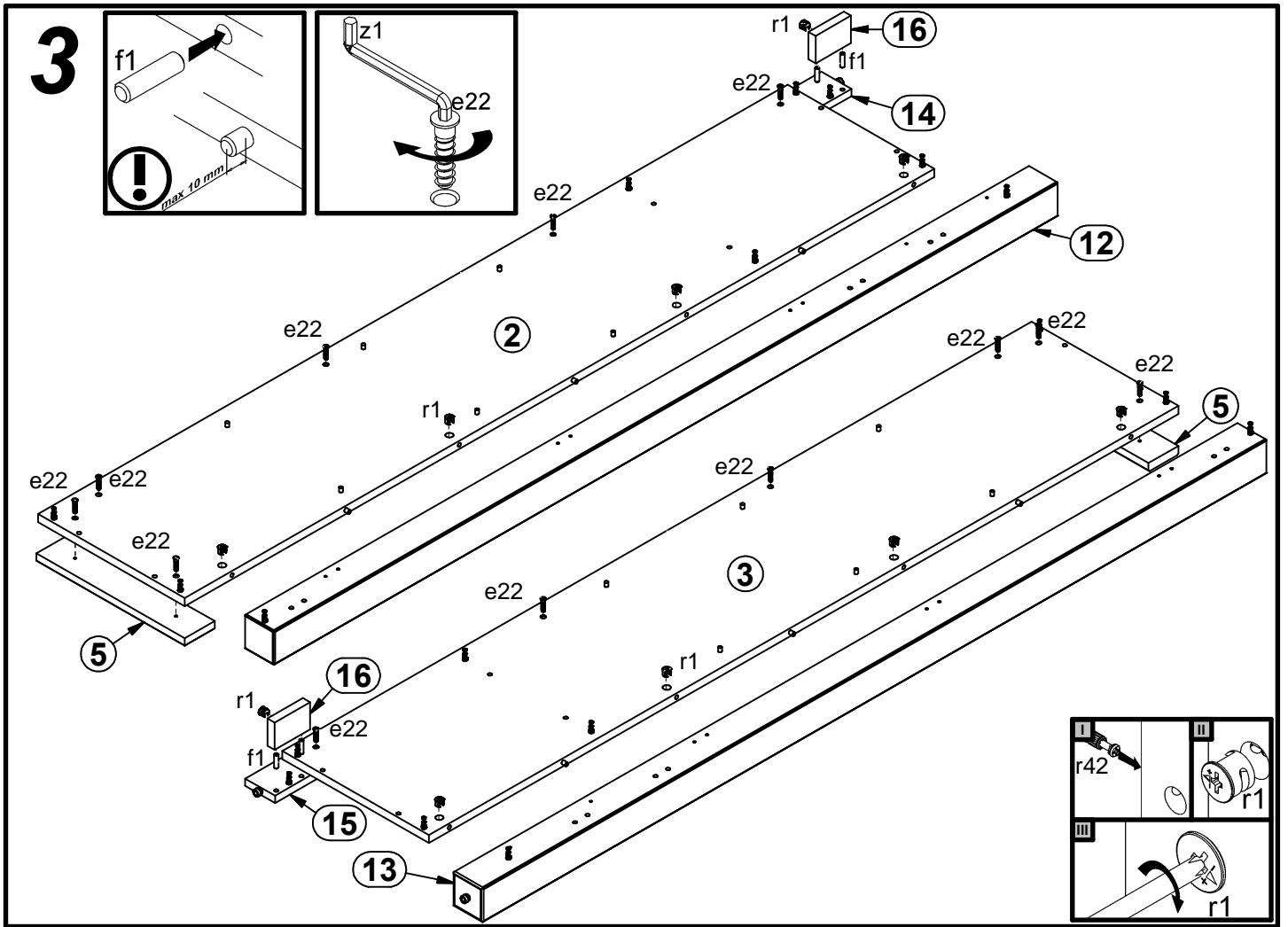
3x  a43	3x  b19	12x  d1 φ5x17 mm	8x  e19 φ5x9 mm	12x  e22 φ7x28 mm	8x  e3 φ6x13 mm	42x  f1 φ8x30 mm	6x  f13 φ8x20 mm	8x  f25 φ6.5x40 mm
4x  k39/2 M6φ9x14 mm	4x  k39/3 M622mm	60x  l1	6x  e2 φ6.3x13 mm	29x  r1 φ15x12mm #16	8x  r15 φ12x10.5mm #12	37x  r42	2x  w5/CL 400 mm	2x  w5/CR 400 mm
2x  w5/DL 400 mm	2x  w5/DR 400 mm	10x  s1	10x  s2 ø16	1x  z1	1x  n26/1	1x  p38 φ3.5x16 mm	6x  p51 φ3.5x15 mm	

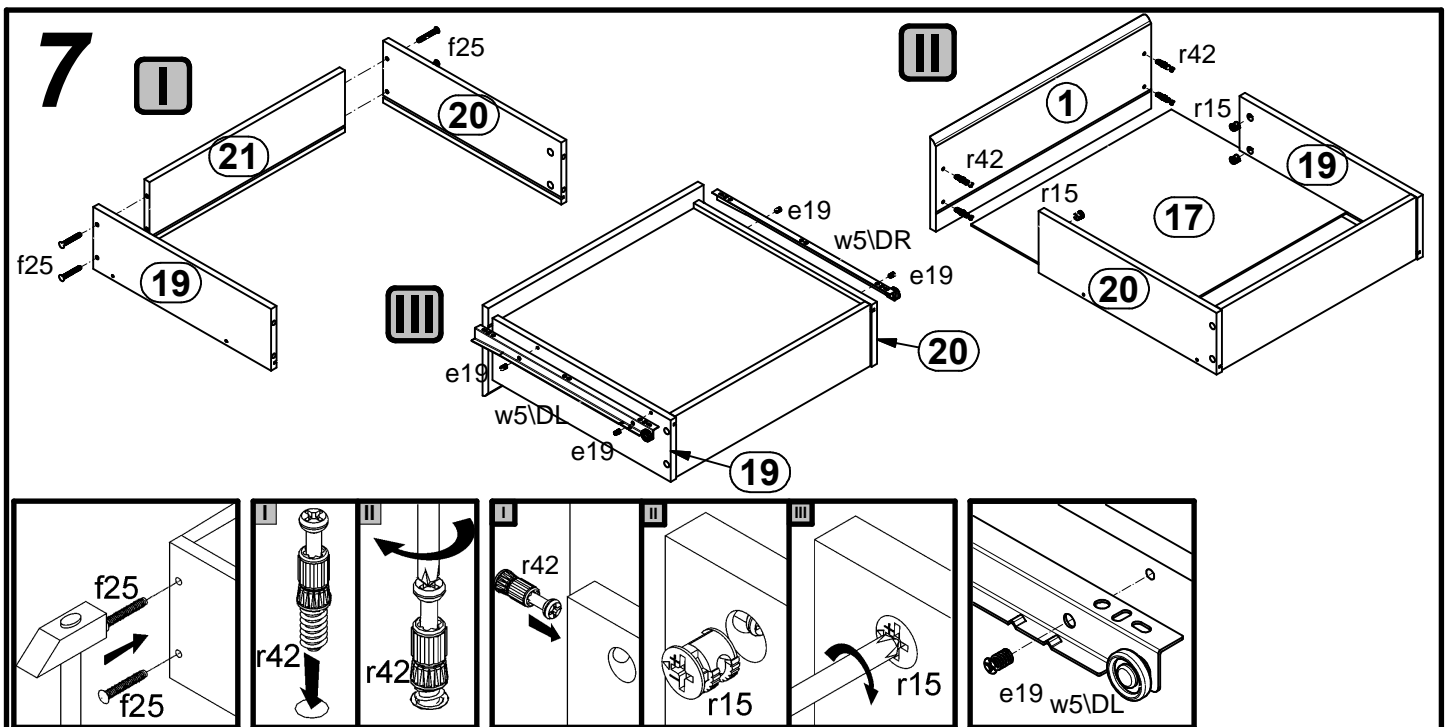
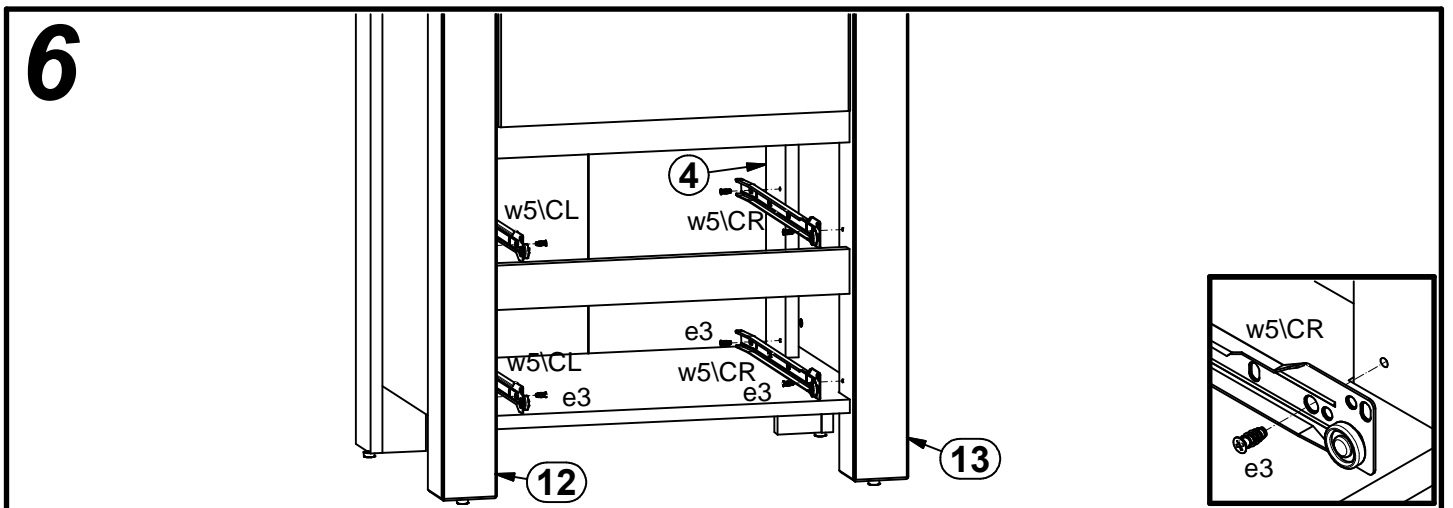
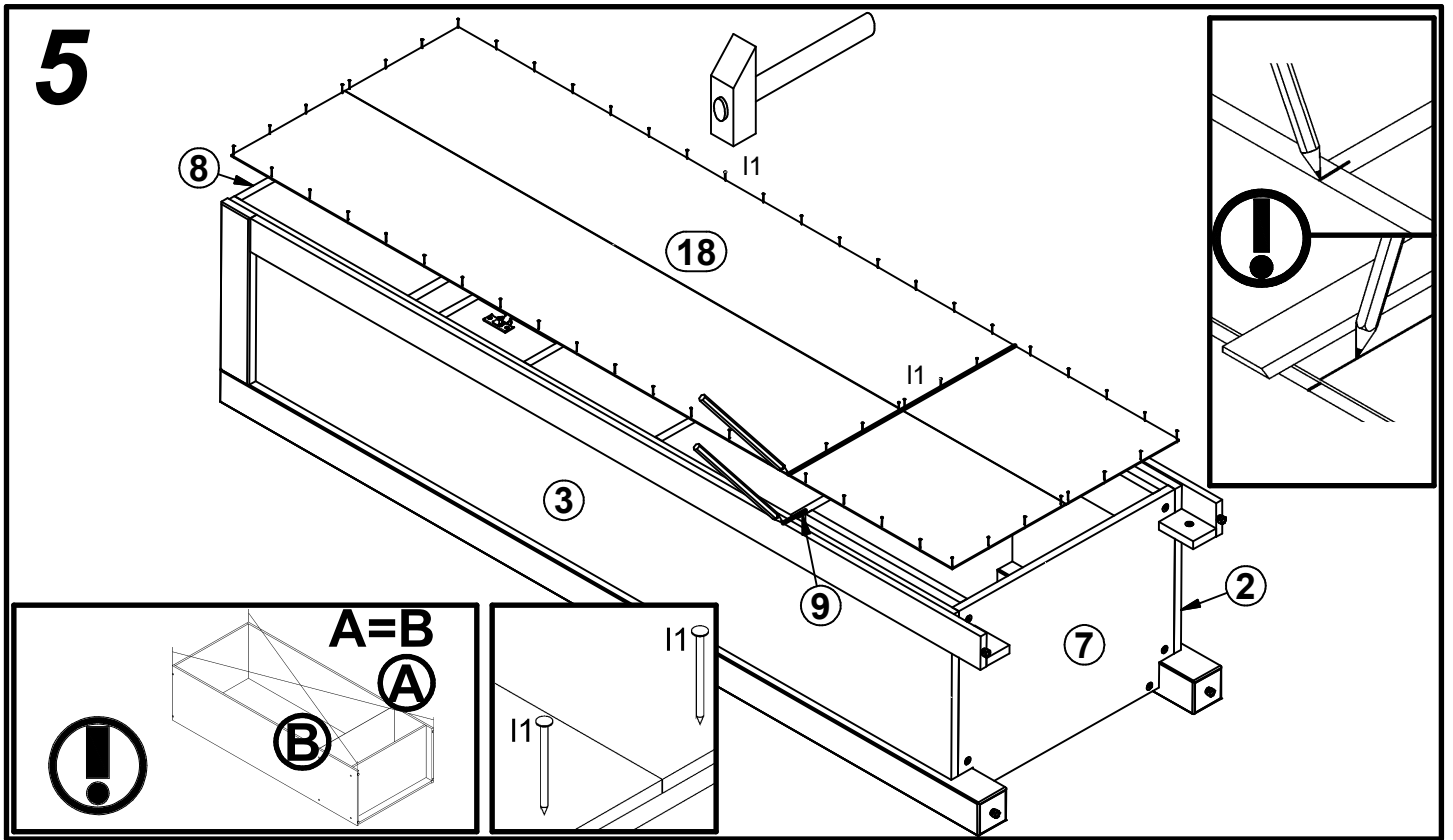
# 1



# 2







# 8

