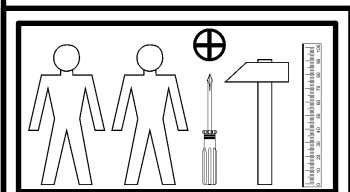
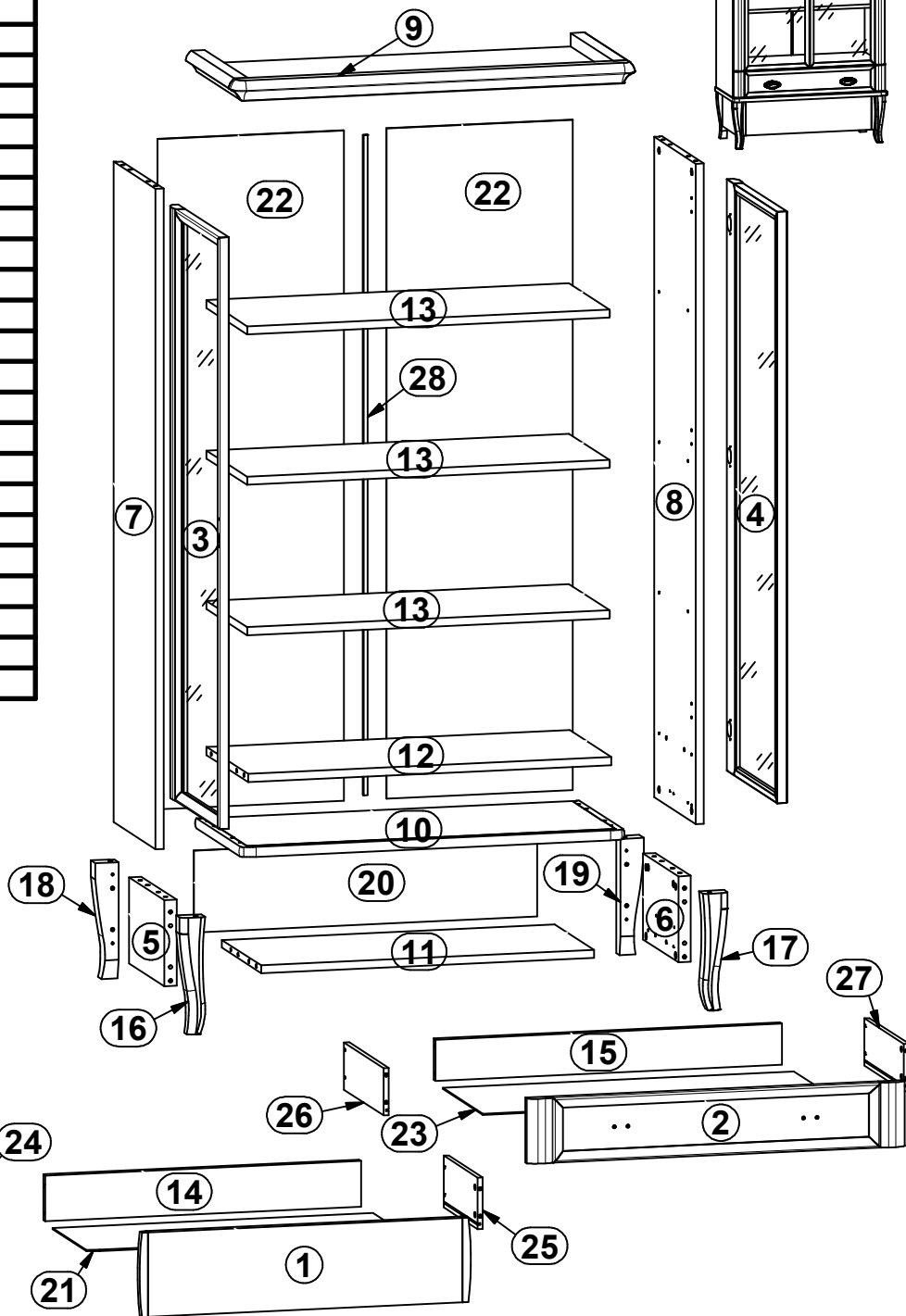
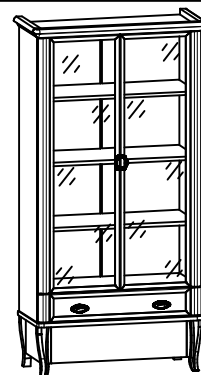
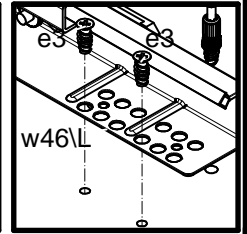
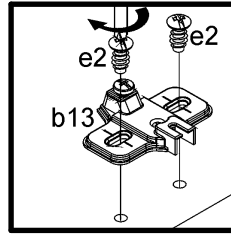
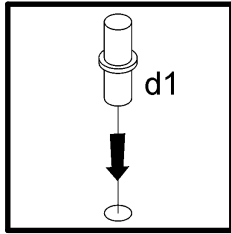
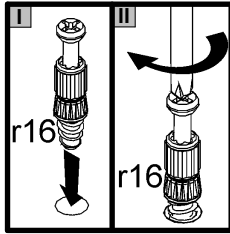
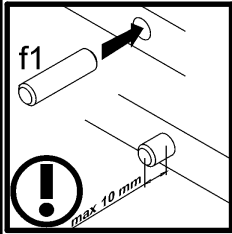
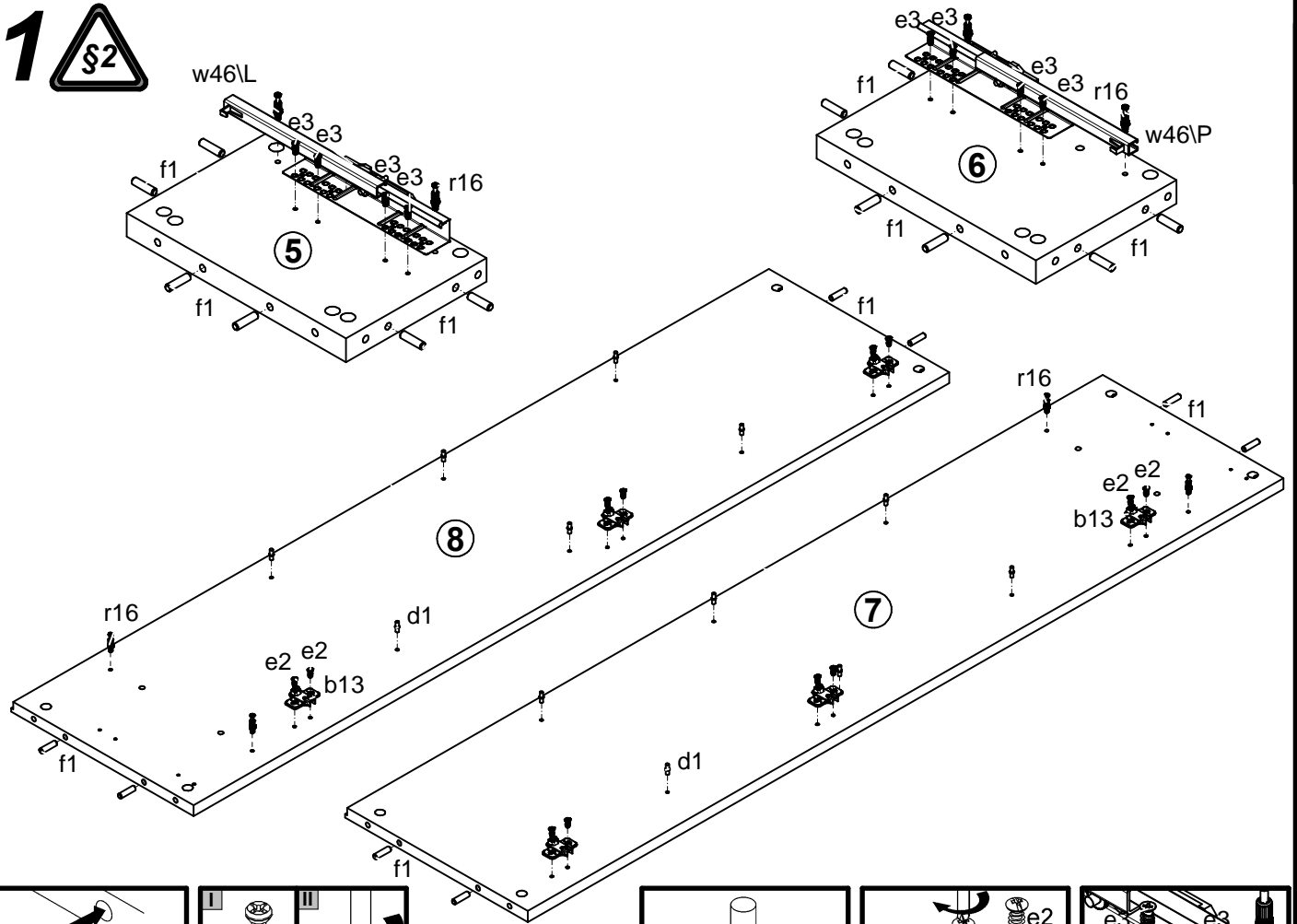


A	B	C	D
1	S71-002	784	196
2	S71-027	895	151
3	S71-028	1376	446
4	S71-029	1376	446
5	S71-127	200	312
6	S71-128	200	312
7	S71-134	1536	371
8	S71-135	1536	371
9	S71-221	956	425
10	S71-222	912	404
11	S71-324	788	348
12	S71-325	860	367
13	S71-326	858	361
14	S71-504	748	106
15	S71-520	820	96
16	S71-571	272	60
17	S71-572	272	60
18	S71-573	272	55
19	S71-574	272	55
20	S71-901	190	812
21	S71-931	759	306
22	S71-940	1559	441
23	S71-941	831	356
24	ZS1-3507	300	120
25	ZS1-3508	300	120
26	ZS1-3511	350	110
27	ZS1-3512	350	110
28	lh-1535	1535	12

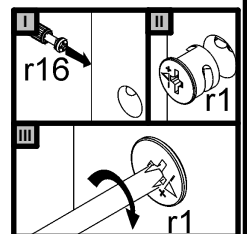
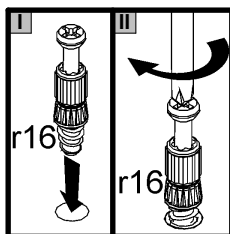
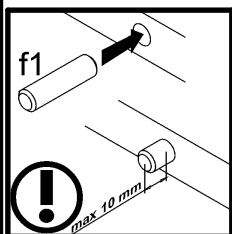
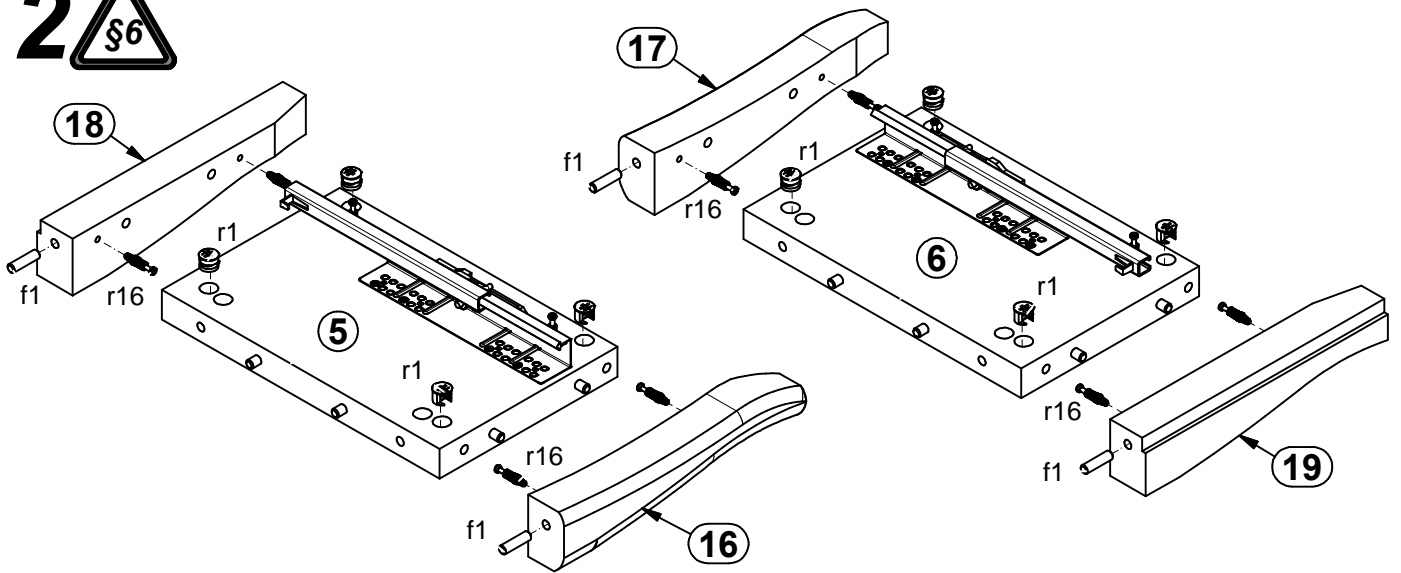


6x a29	6x b13	2x c227 64 mm	2x c228 32 mm	12x d1 φ5x17 mm	2x d4 φ6,3x15 mm	12x e2 φ6,3x13 mm	16x e3 φ6x13 mm	32x f1 φ8x30 mm
8x f25 φ6,5x40 mm	4x j118 M4x30 mm	4x j2 M4x9 mm	80x l1	4x p25 φ3,5x16 mm	15x p38 φ3,5x16 mm	12x p51 φ3,5x15 mm	28x r1 φ1,5x12mm #16	8x r15 φ1,2x10,5mm #12
36x r16	4x s2 ø16	1x t25 300 mm	1x t35 350 mm	1x w44L 350 mm	1x w44P 350 mm	1x w46L 300 mm	1x w46P 300 mm	1x n26\1
1x p38 φ3,5x16 mm								

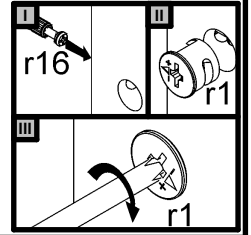
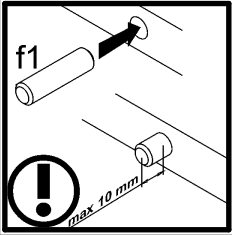
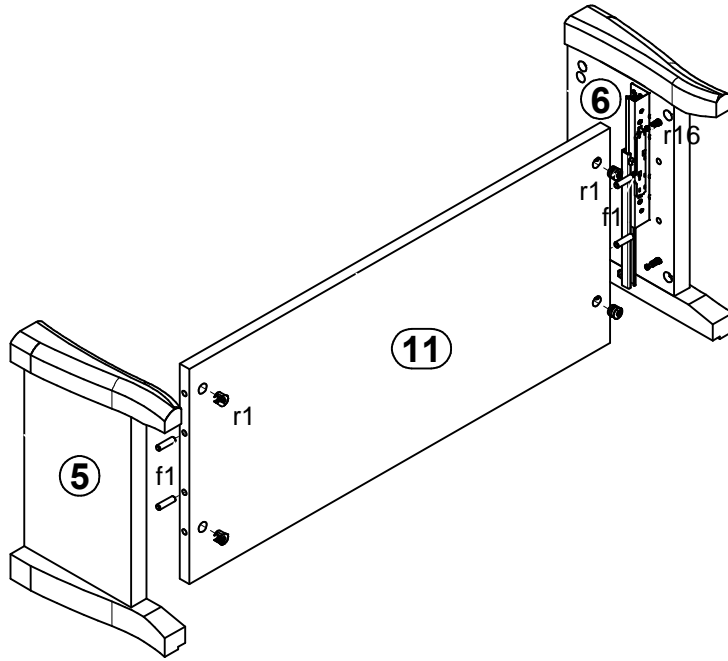
1



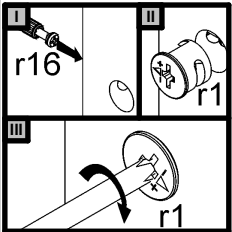
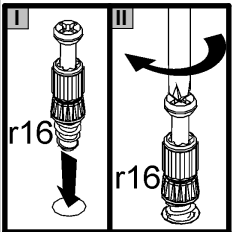
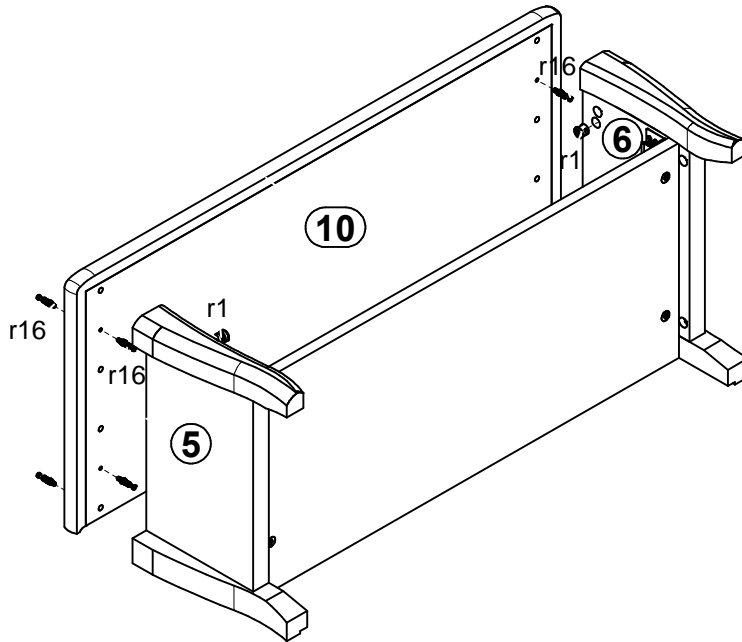
2



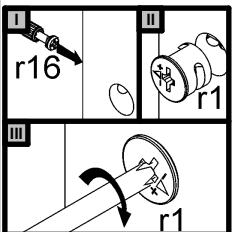
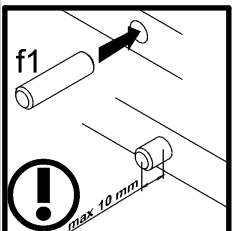
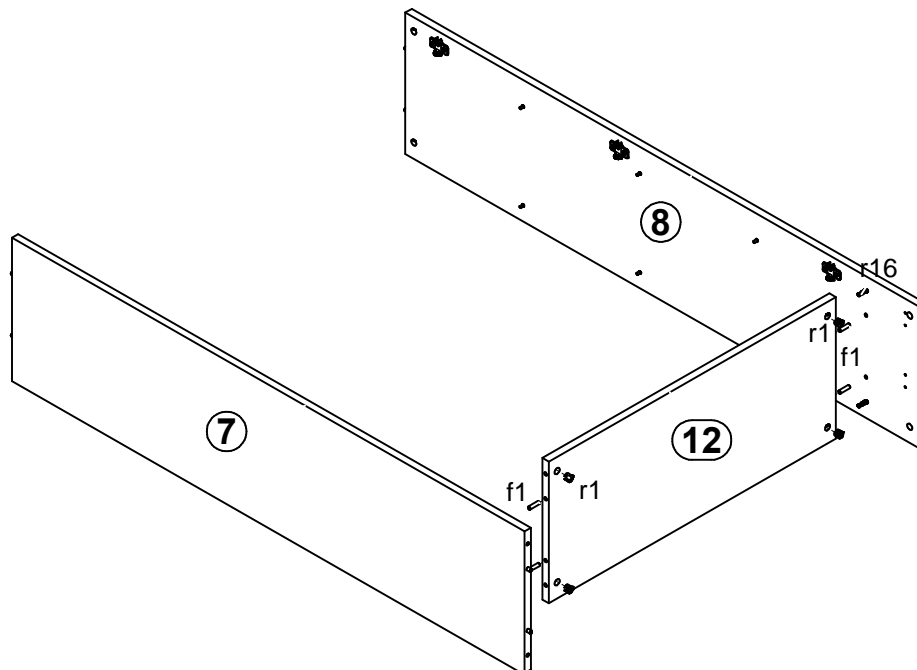
3

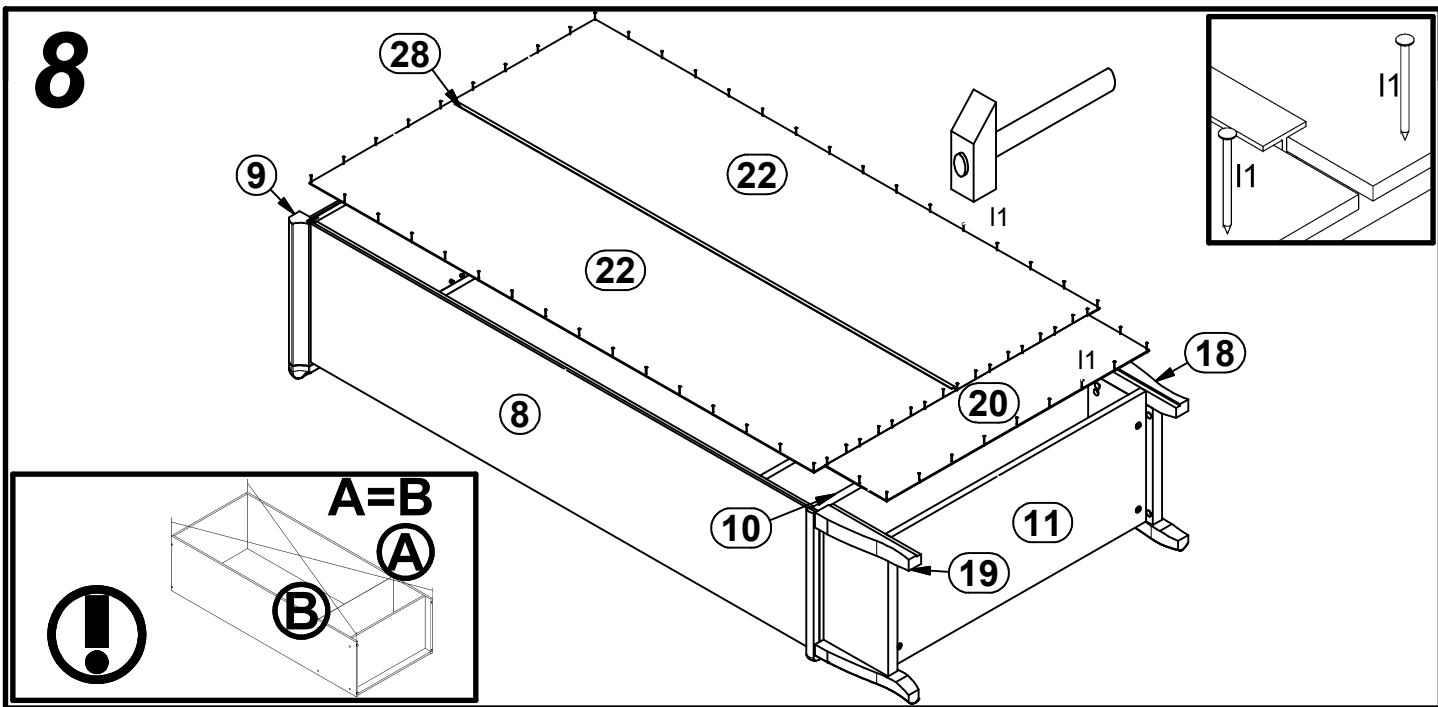
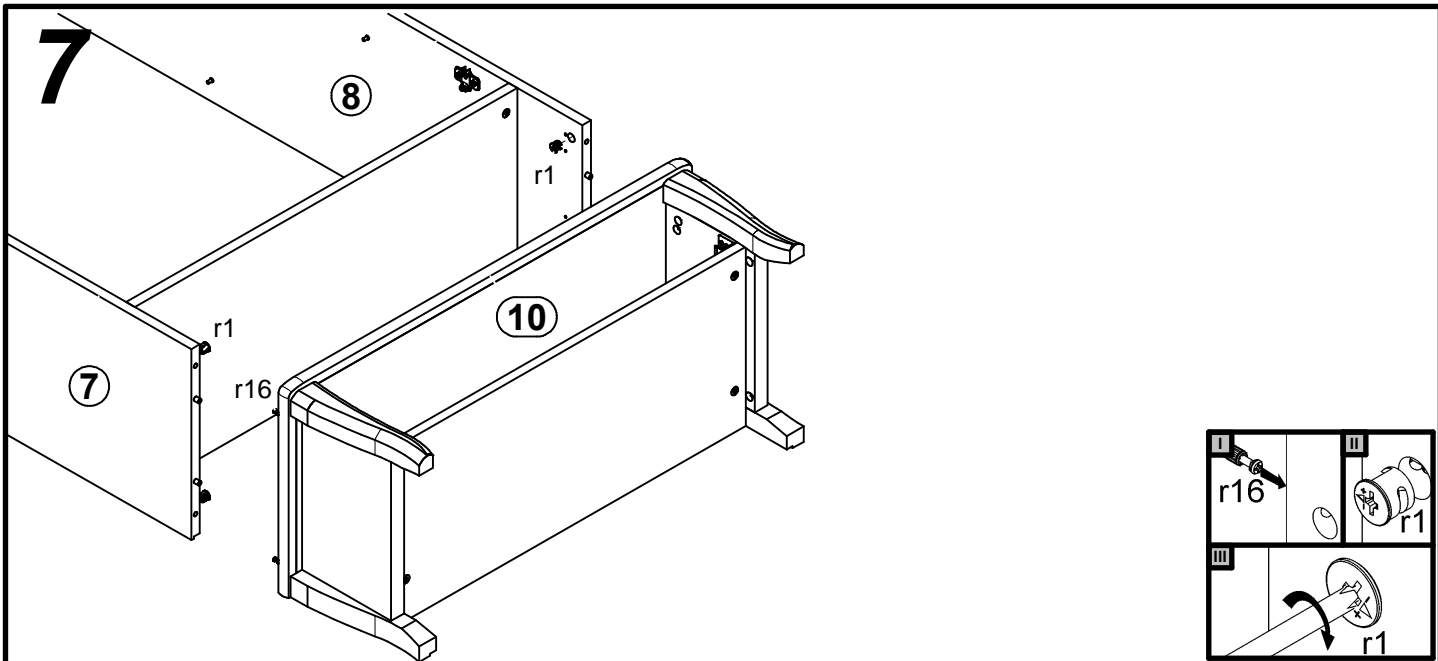
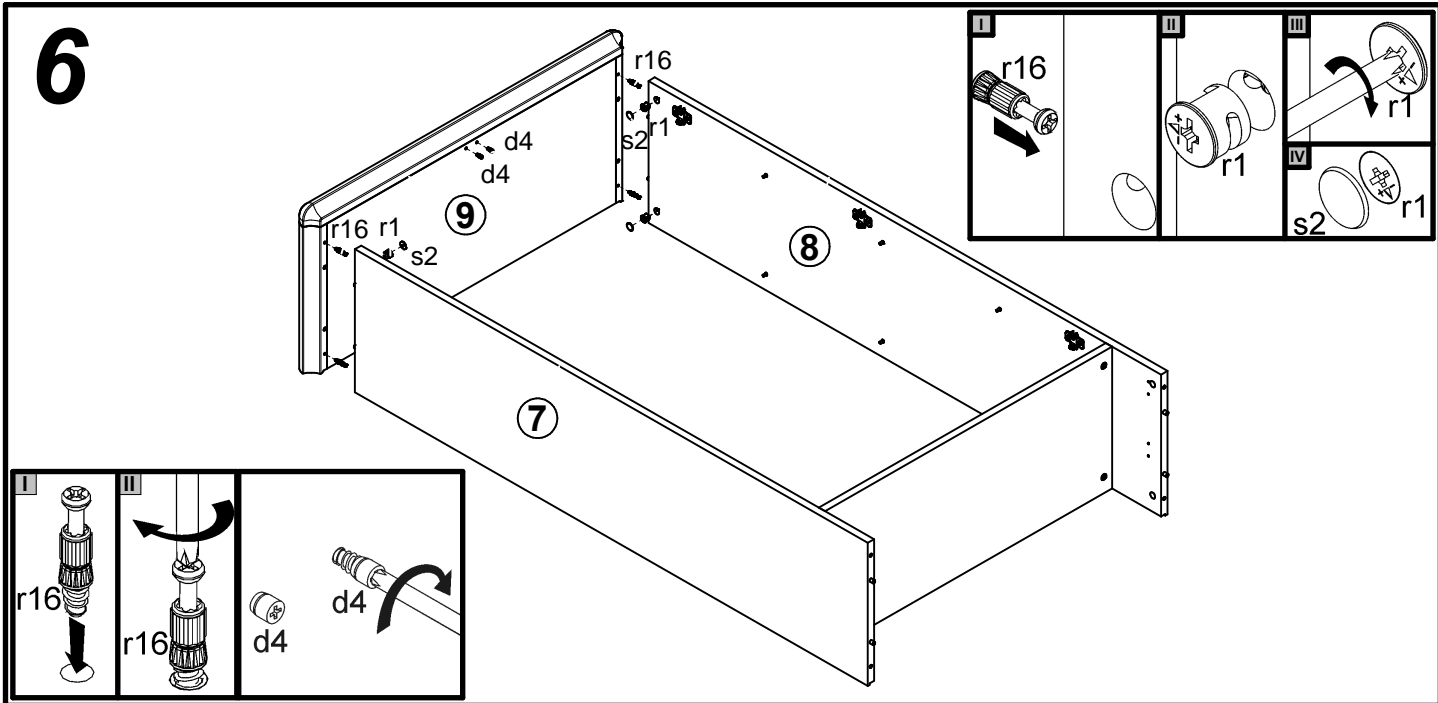


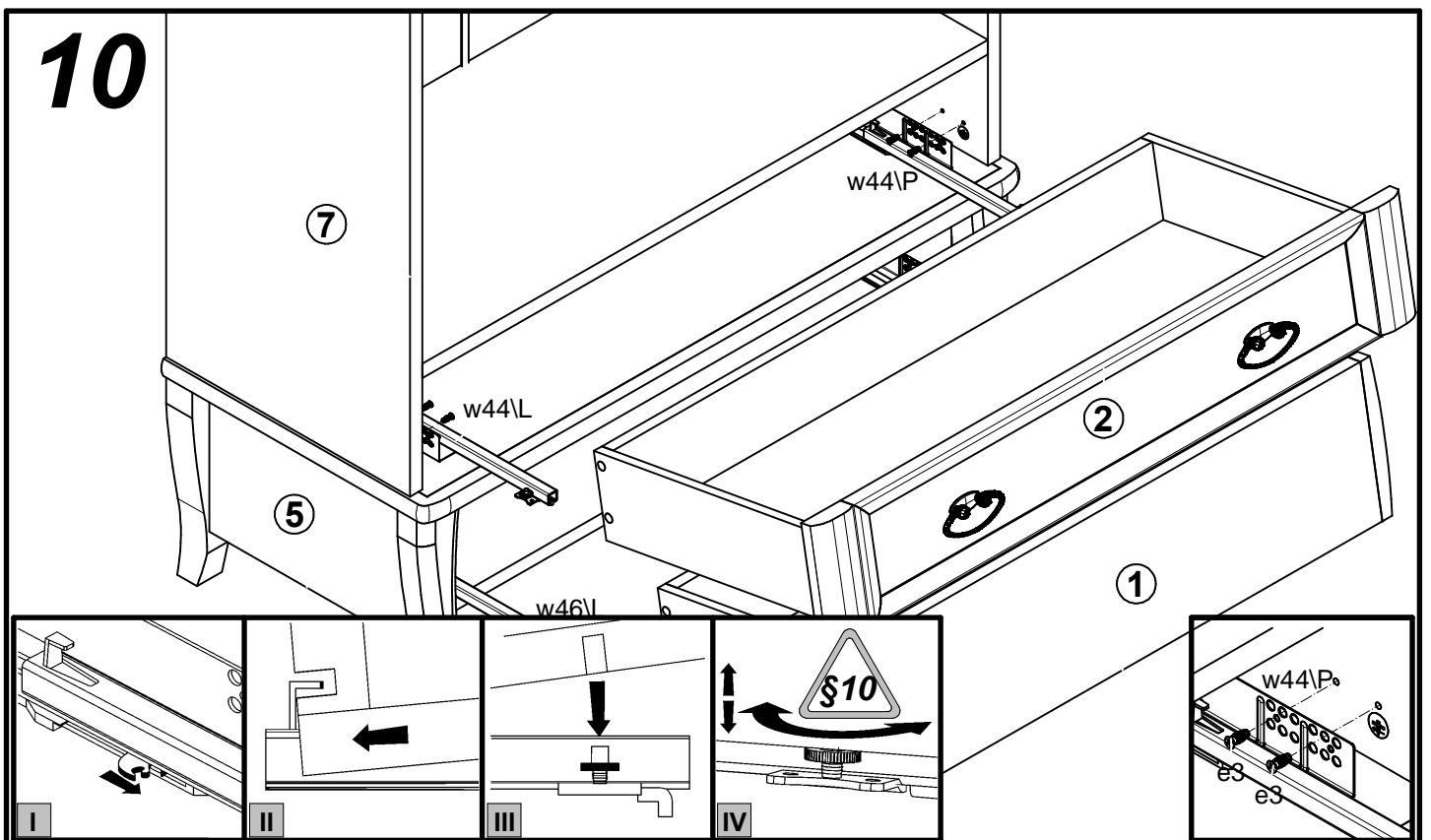
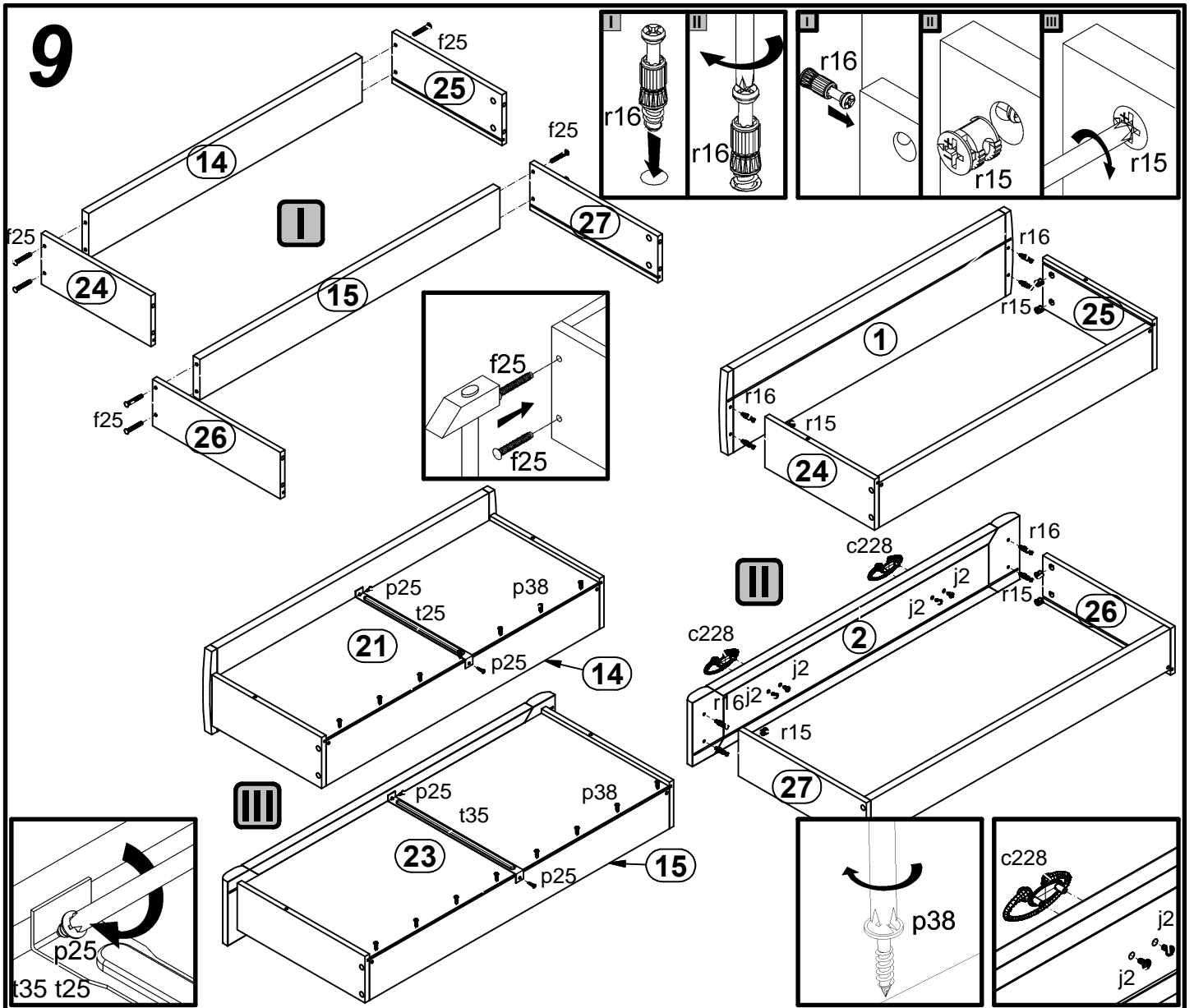
4



5







11

