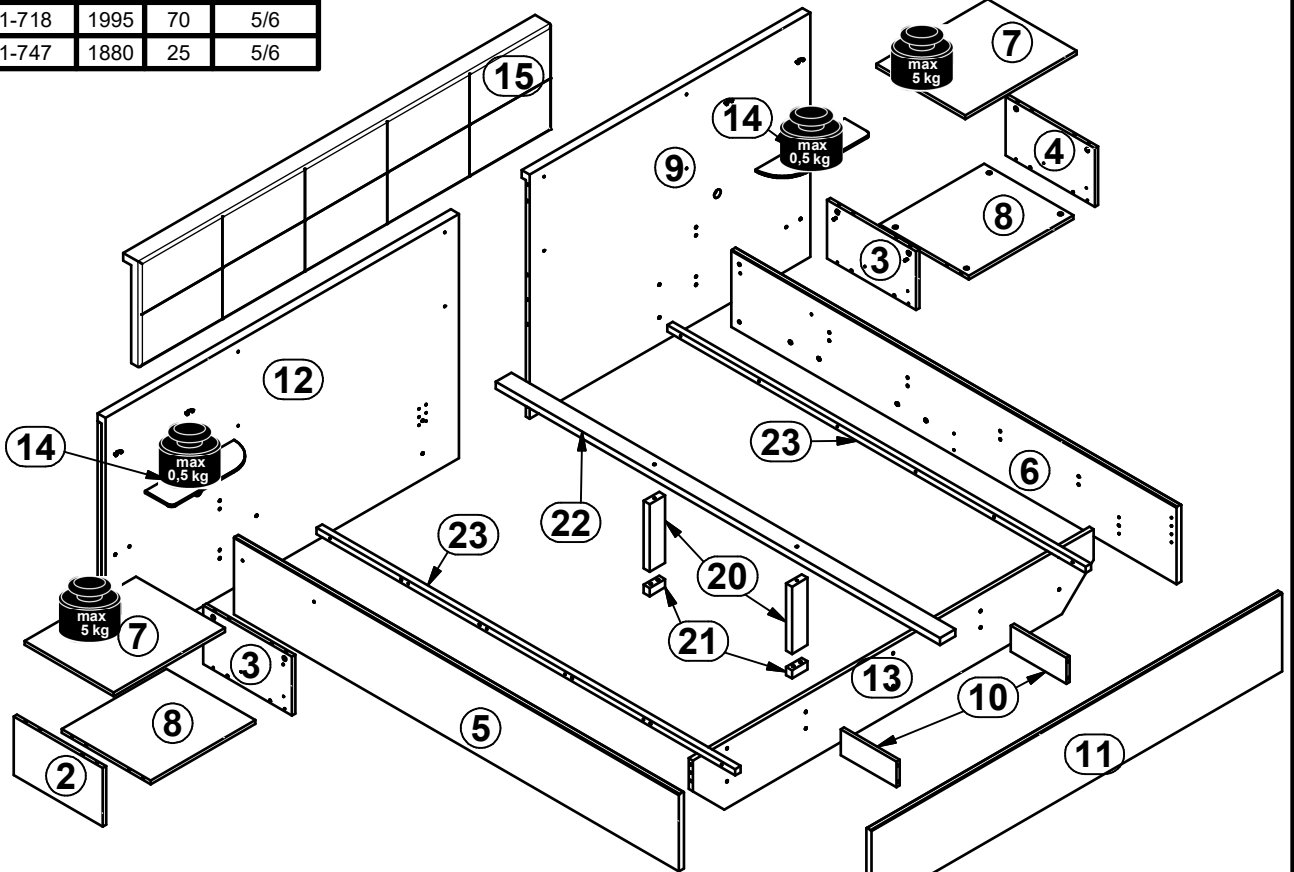
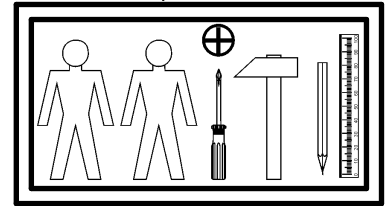
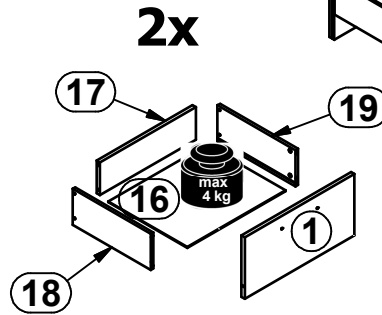
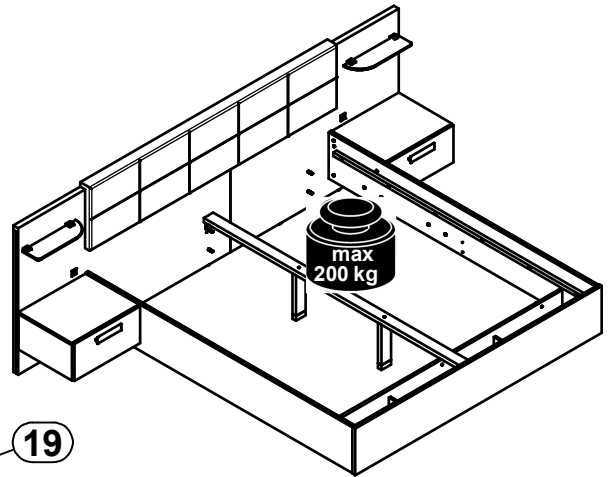
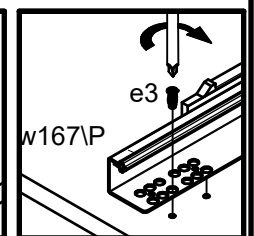
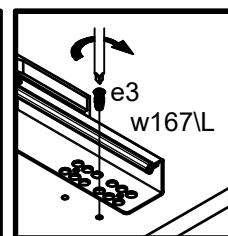
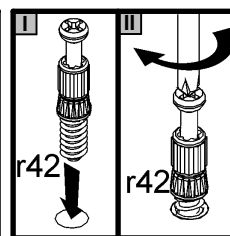
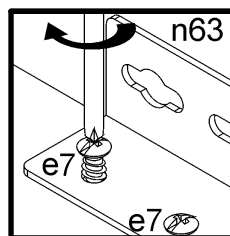
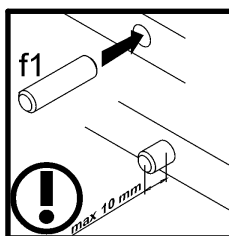
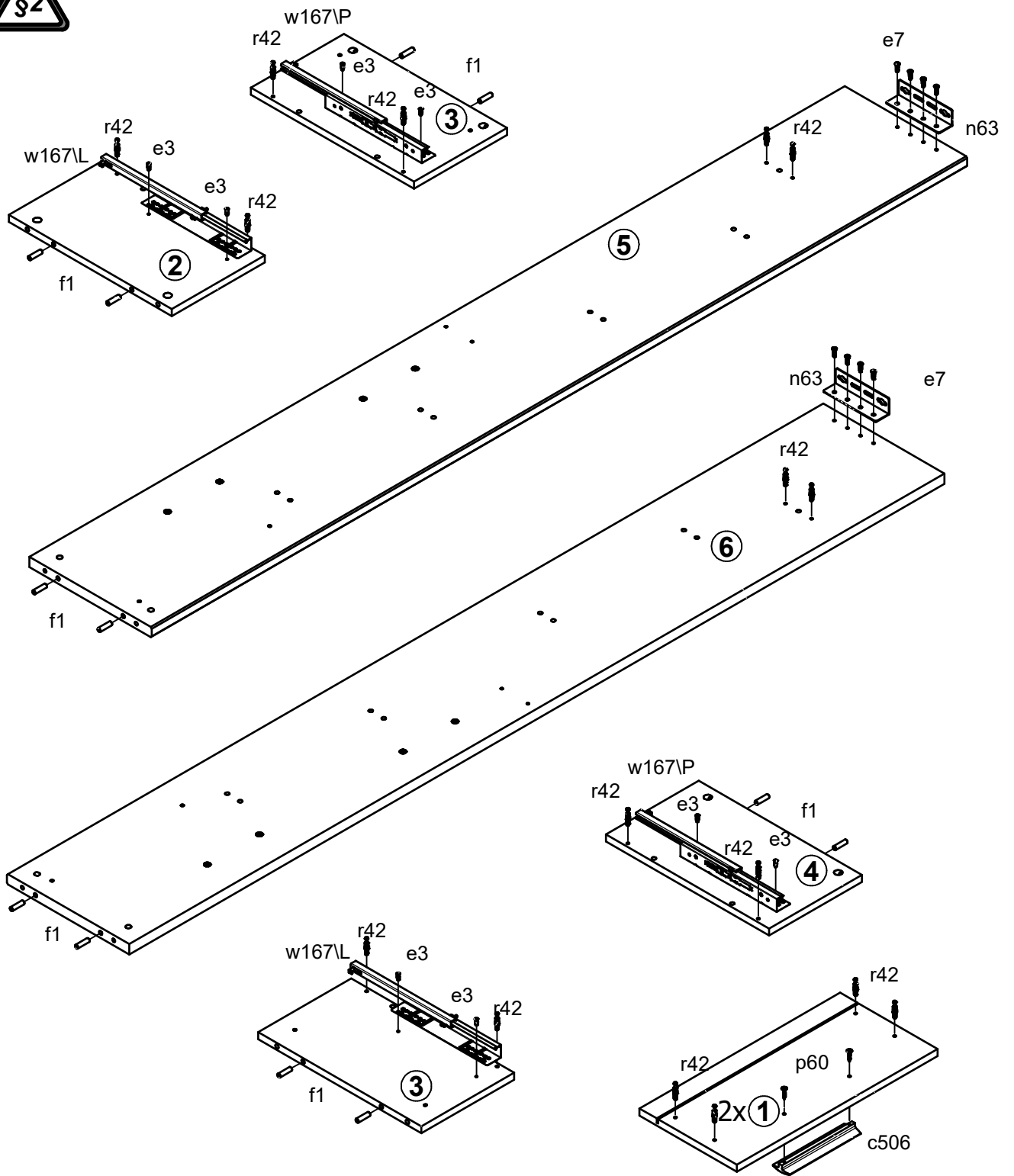


A	B	C	D	
1	L99-0001	492	239	3/6
2	L99-1001	228	400	3/6
3	L99-1002	228	400	3/6
4	L99-1003	228	400	3/6
5	L99-1005	2000	300	2/6
6	L99-1006	2000	300	2/6
7	L99-2001	501	400	3/6
8	L99-3001	470	400	3/6
9	L99-4004	1260	950	1/6
10	L99-4005	250	100	3/6
11	L99-4016	1846	304	2/6
12	L99-4017	1588	950	1/6
13	L99-4019	1800	261	3/6
14	L99-5002	400	120	3/6
15	L99-5004	1850	410	4/6
16	L99-9001	441	355	3/6
17	ZQ6-5033	430	127	3/6
18	ZQ6-511	350	140	3/6
19	ZQ6-512	350	140	3/6
20	ZZ1-462	262	70	5/6
21	ZZ1-465	32	70	5/6
22	ZZ1-718	1995	70	5/6
23	ZZ1-747	1880	25	5/6

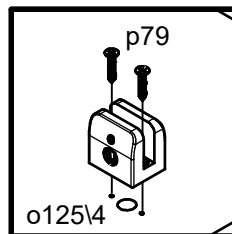
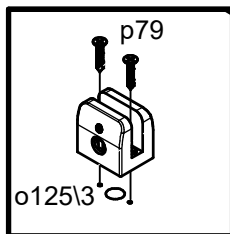
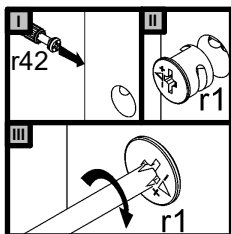
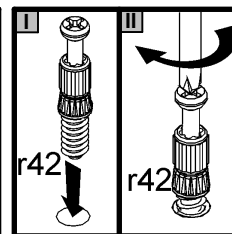
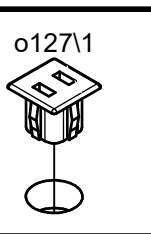
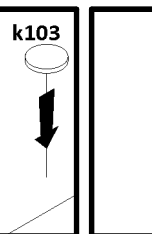
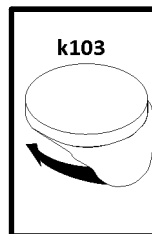
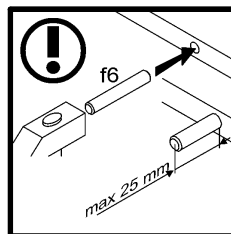
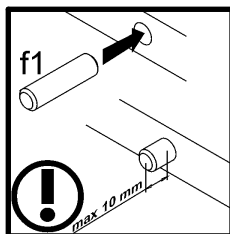
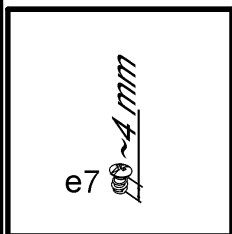
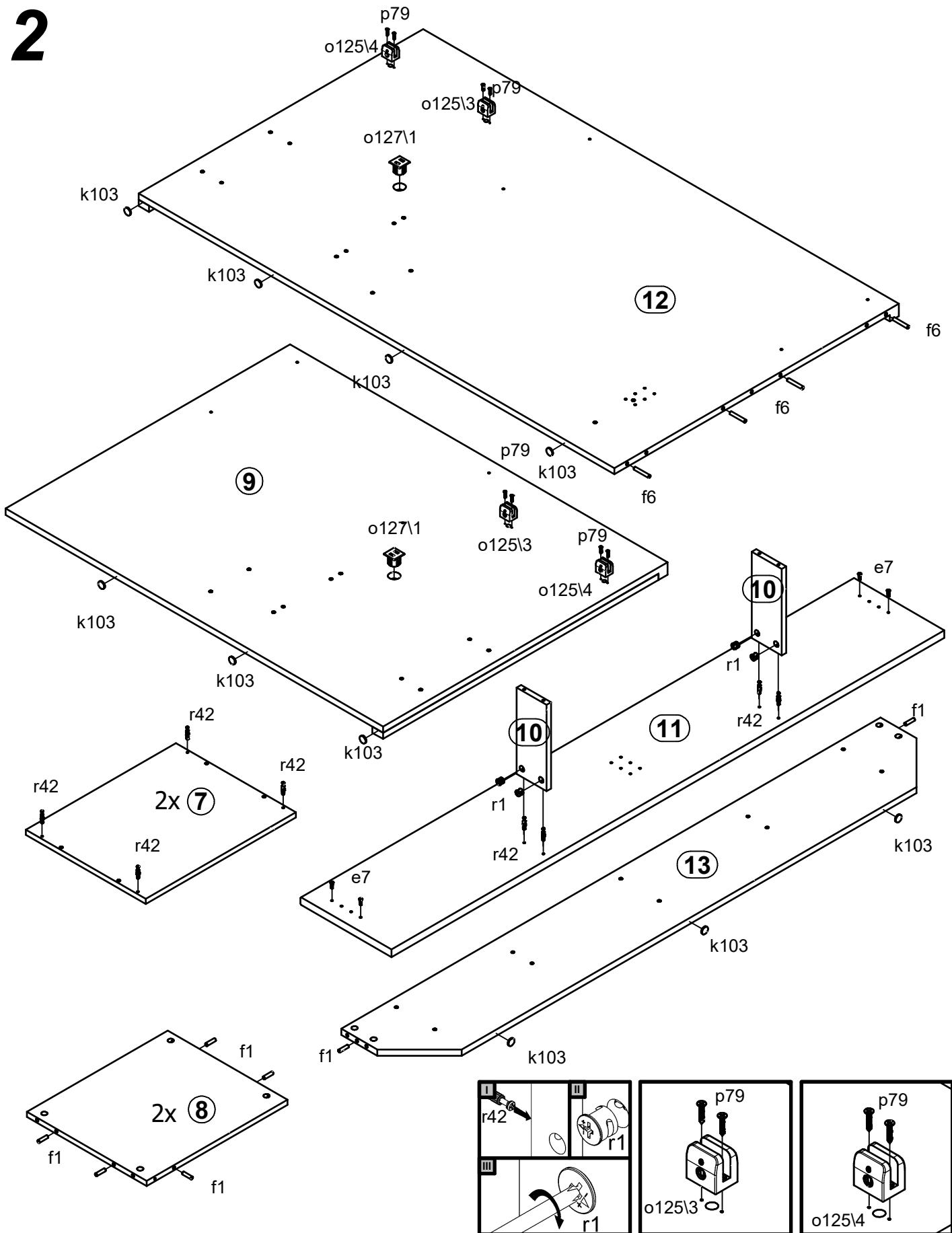


2x 180mm c506	8x Ø7x50 mm e1	16x Ø6x13 mm e3	16x Ø6.3x16 mm e7	2x Ø7x60 mm e8	34x Ø8x30 mm f1	8x Ø8x50 mm f6	8x Ø6.5x40 mm f25	
8x M4x14 mm j29	4x Ø5x23 mm j45/2	4x M6x65 mm j132	10x Ø20x3mm k103	2x 130x34x34/2 mm n63	2x 70x50x 492 mm n111	1x 36W Ø70/11	1x L=2m Ø79/5	2x Ø125/3
2x Ø125/4	2x Ø127/1	6x Ø4x35 mm p6	8x Ø4x30 mm p9	12x Ø4x40 mm p10	4x Ø3.5x25 mm p16	6x Ø3.5x16 mm p38	4x Ø2.9x16 mm p55	4x Ø4x22 mm p60
8x Ø3.5x20 mm p79	30x Ø15x12 mm #16 r1	3x r10	8x Ø12x10.5 mm #12 r15	32x 20/11 r42	4x Ø10x16 mm r43	2x 350mm w167/L	2x 350mm w167/P	1x 4 mm z1

1 

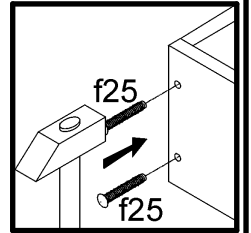
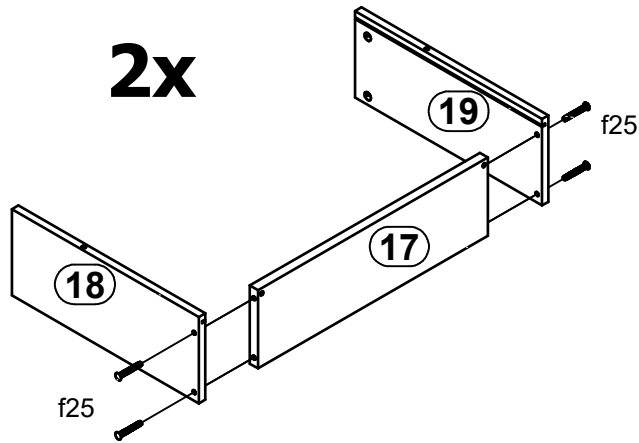


# 2



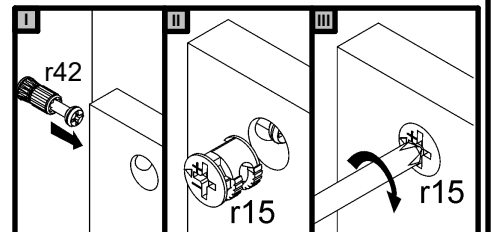
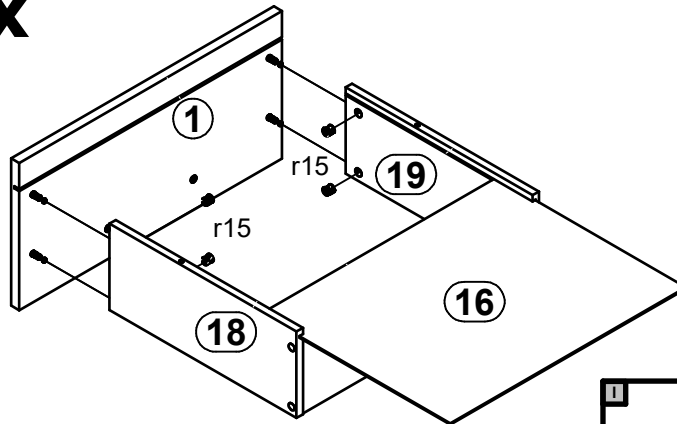
# 3

## 2x



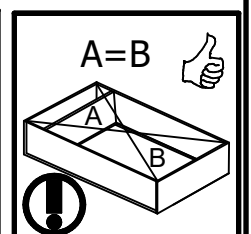
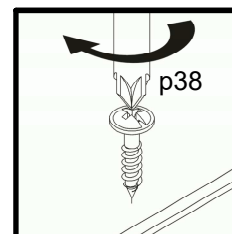
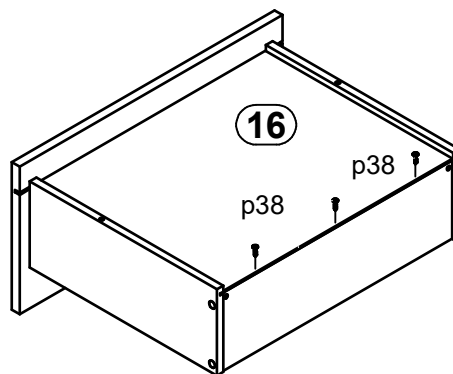
# 4

## 2x

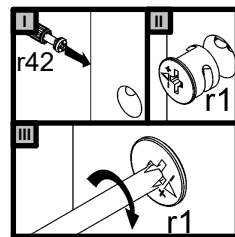
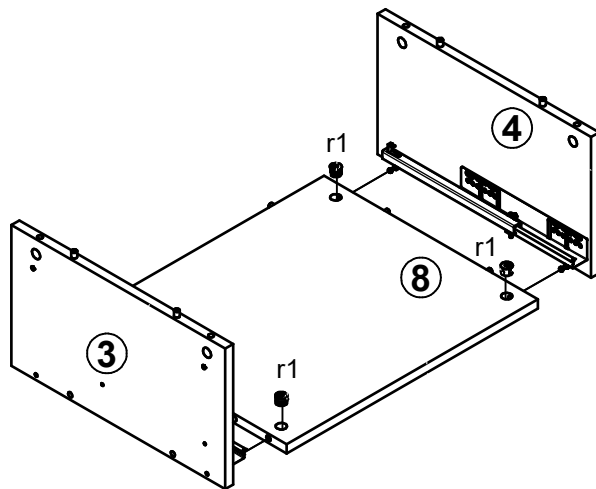
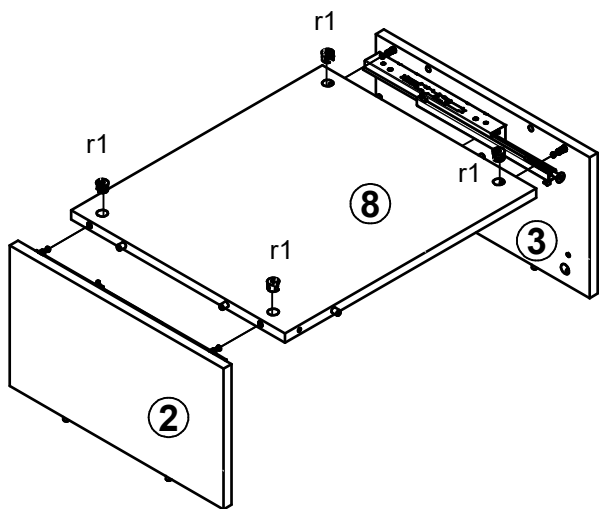


# 5

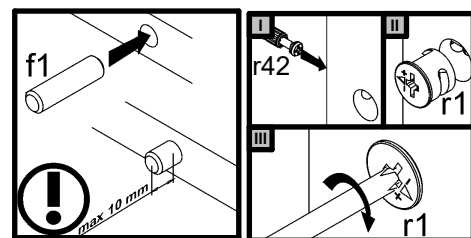
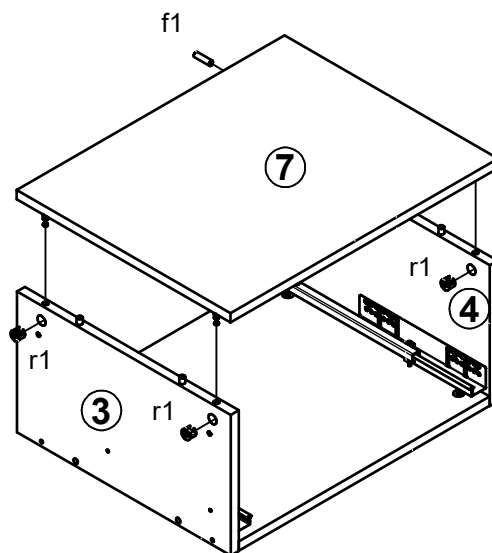
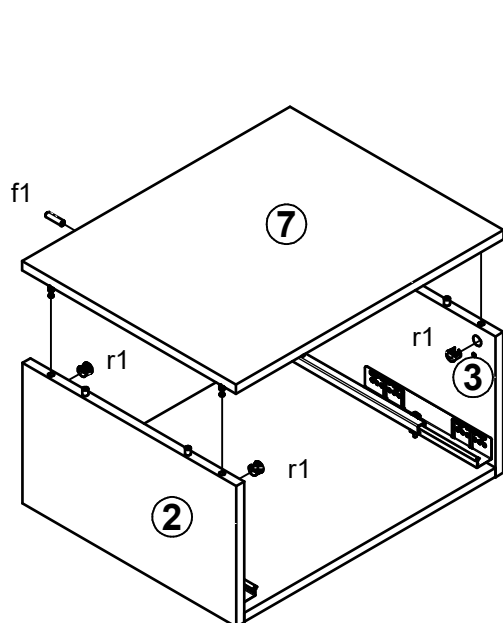
## 2x



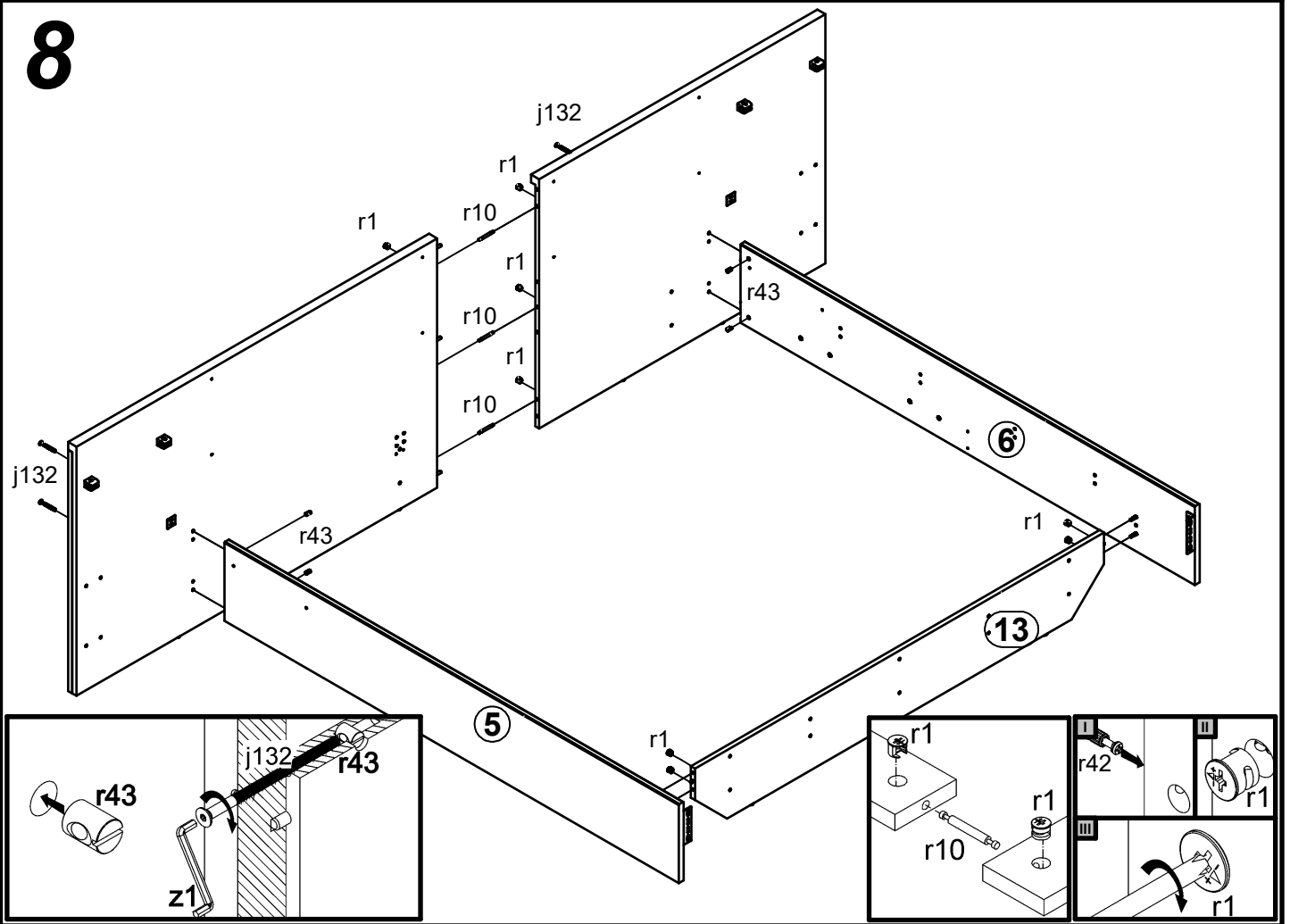
# 6



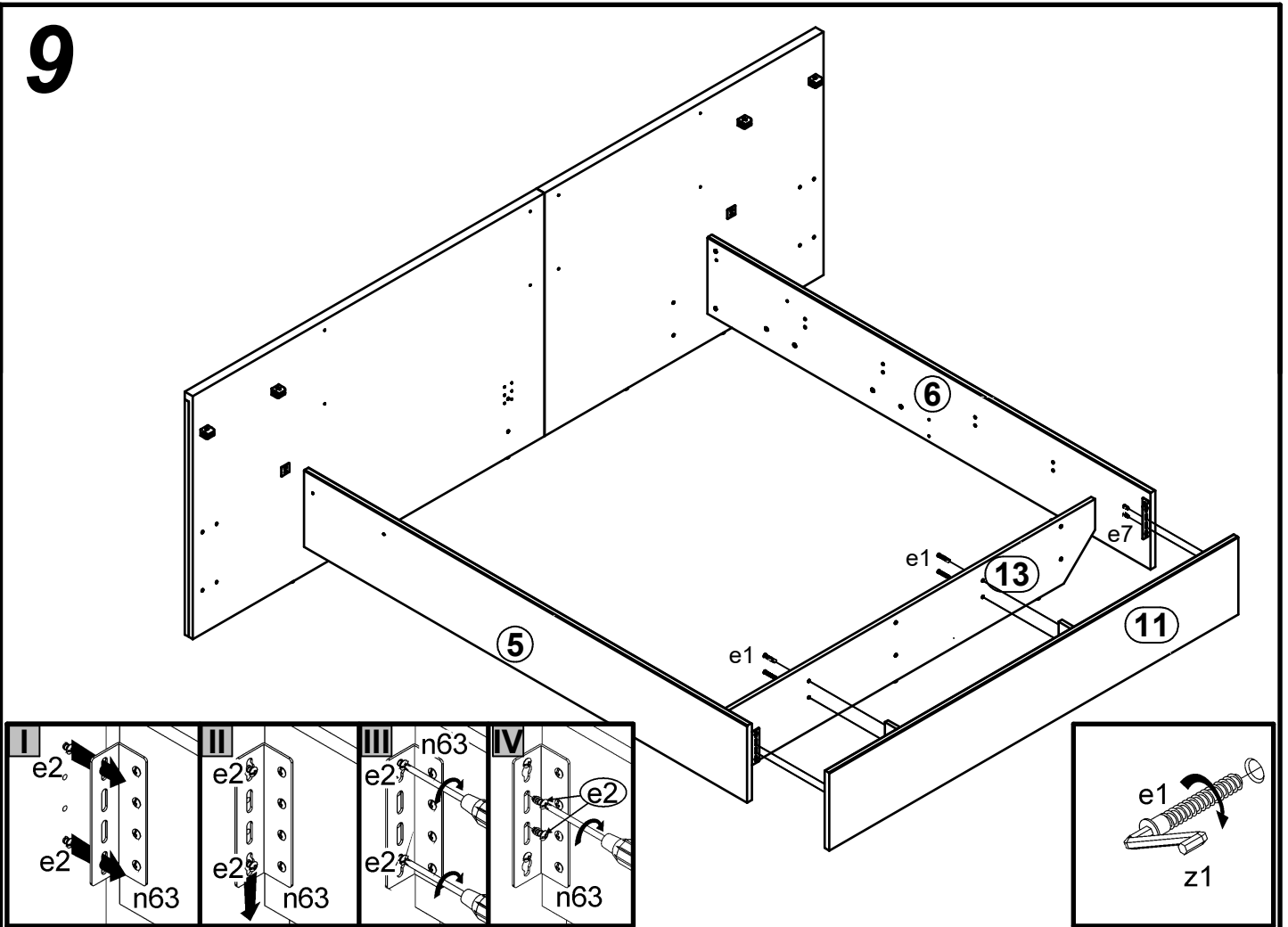
# 7



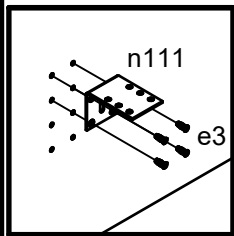
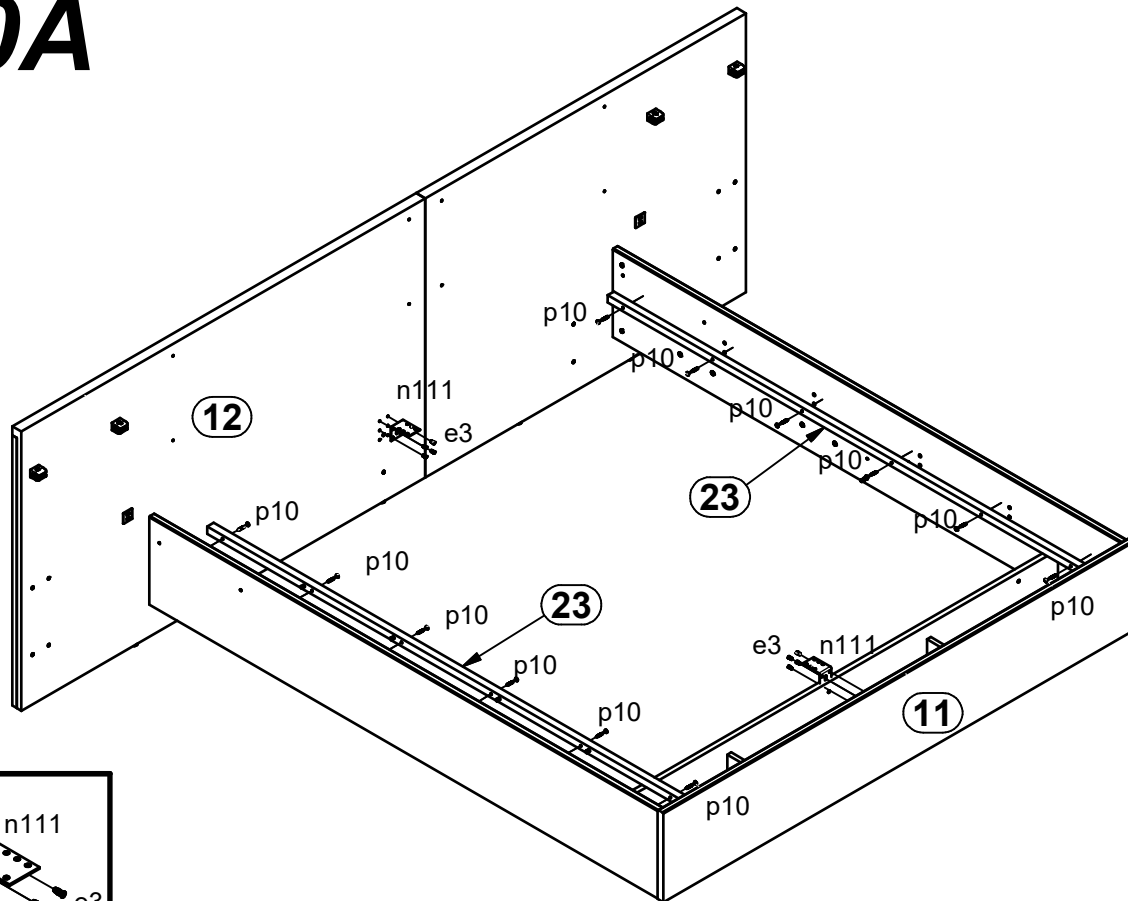
# 8



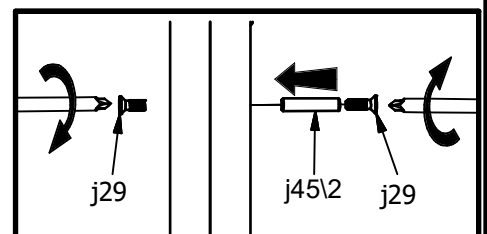
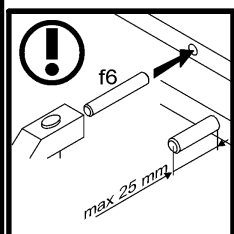
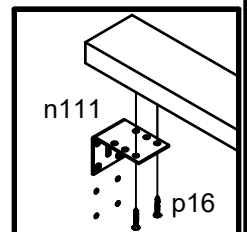
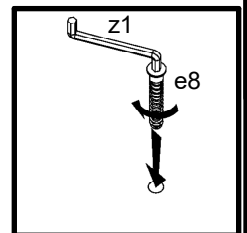
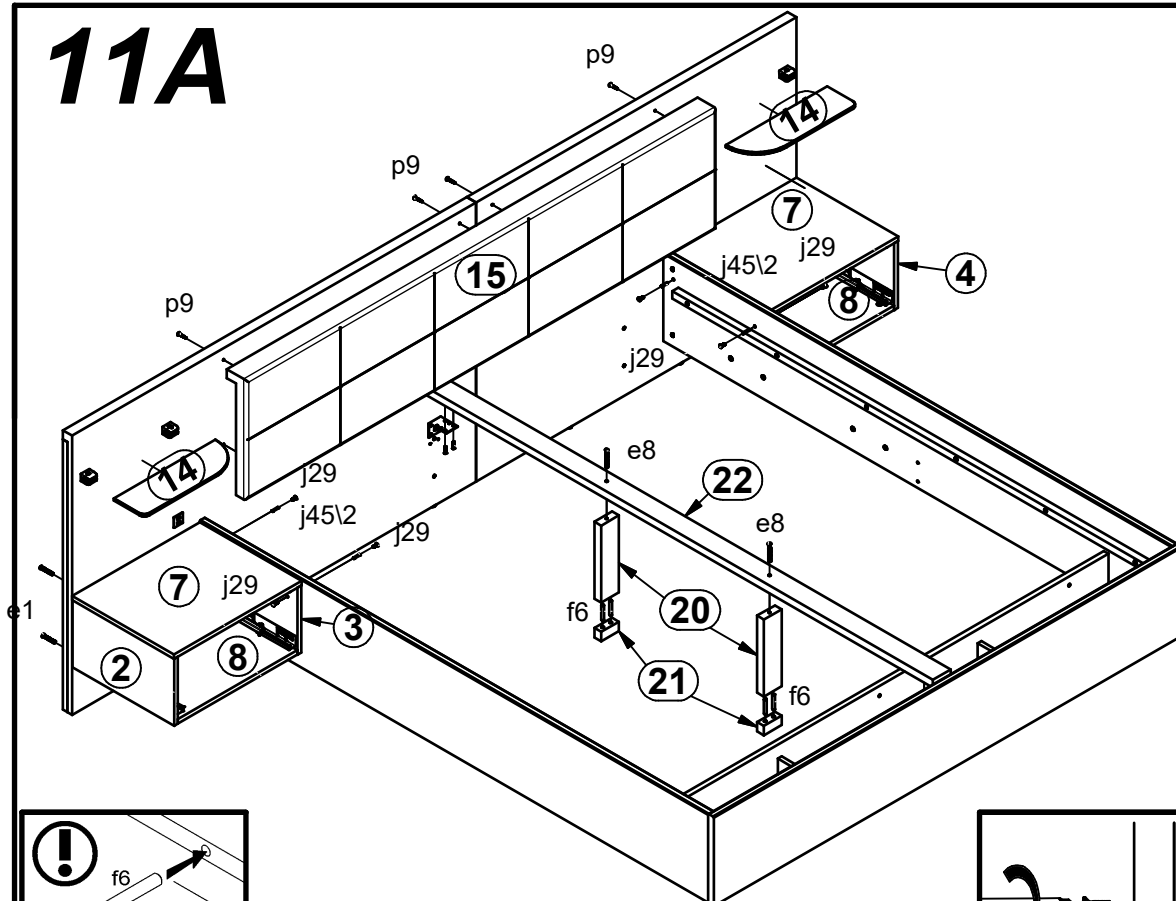
# 9



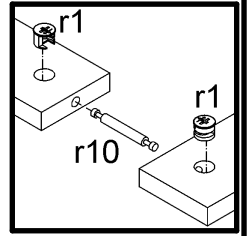
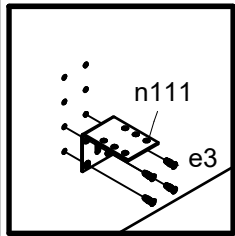
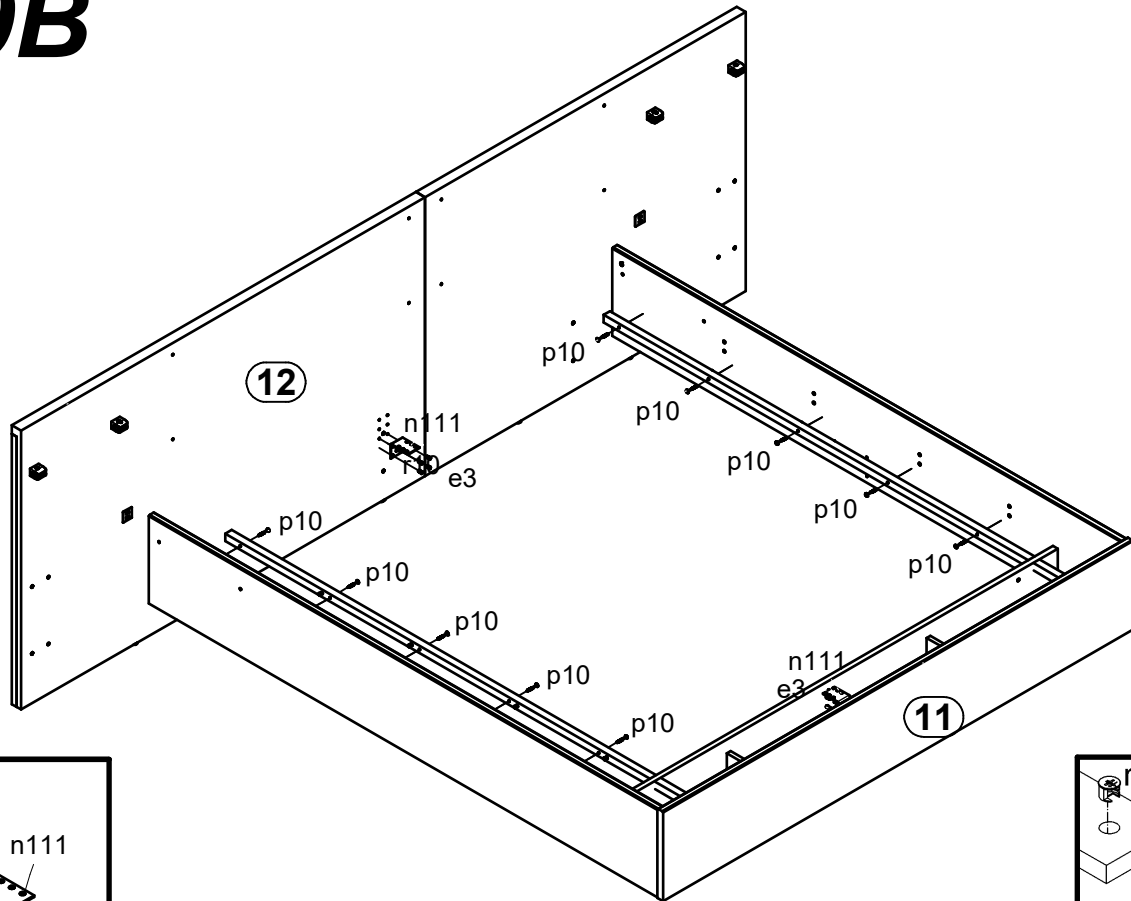
# 10A



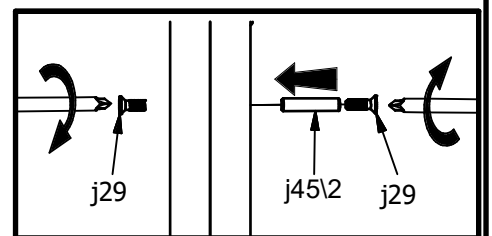
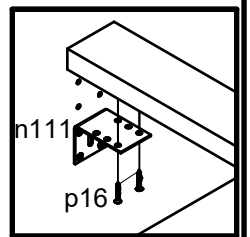
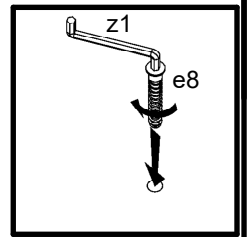
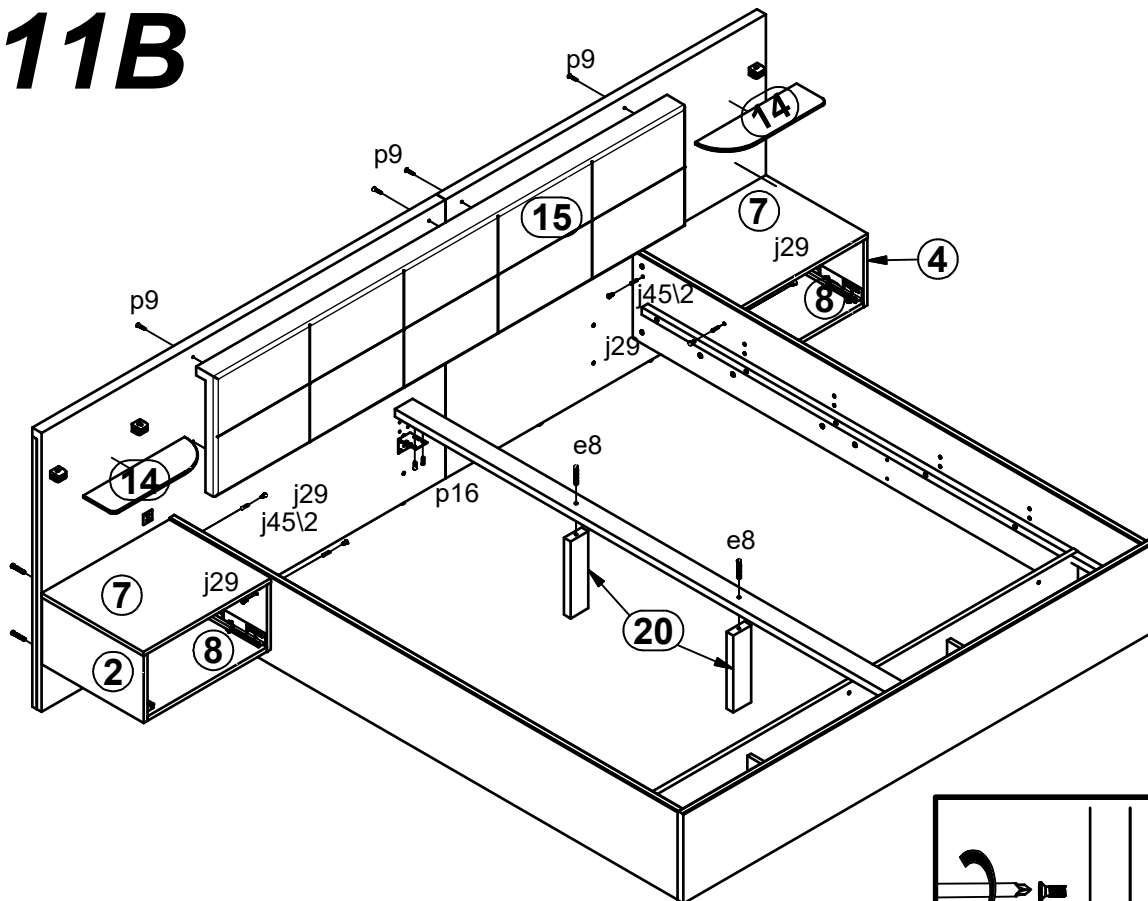
# 11A



# 10B



# 11B





# 12

