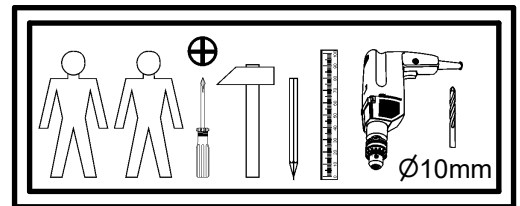
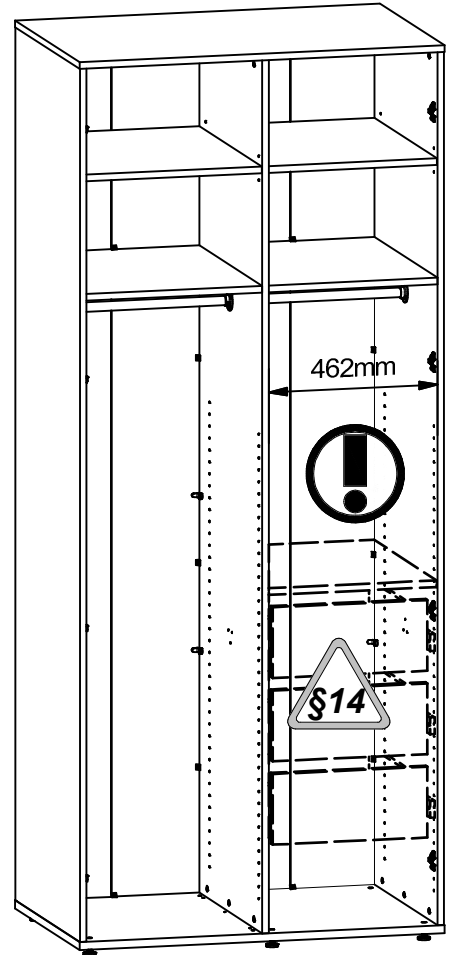
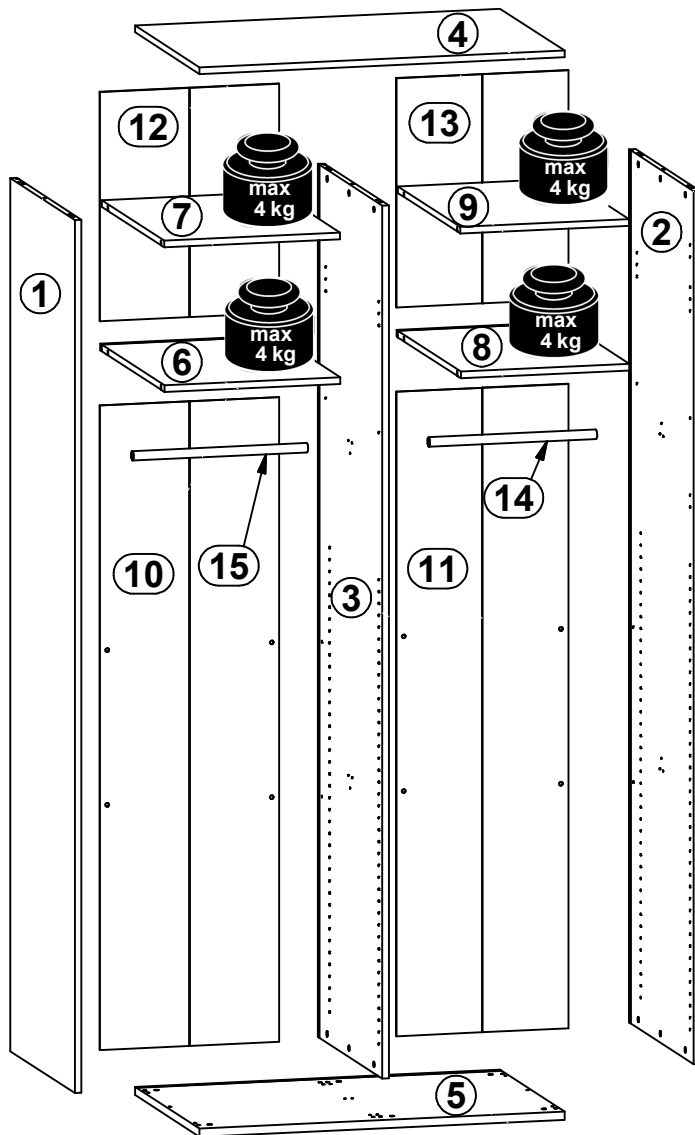
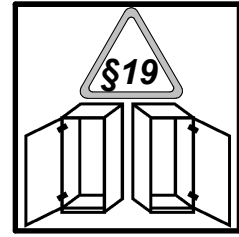


A

FLEX

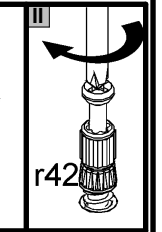
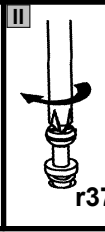
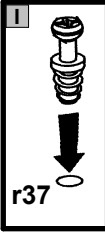
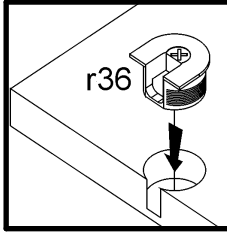
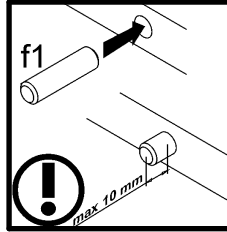
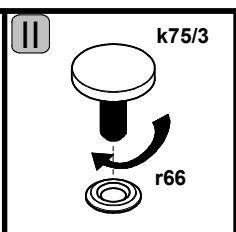
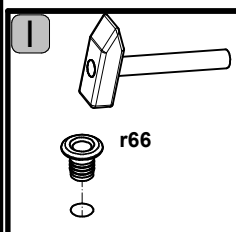
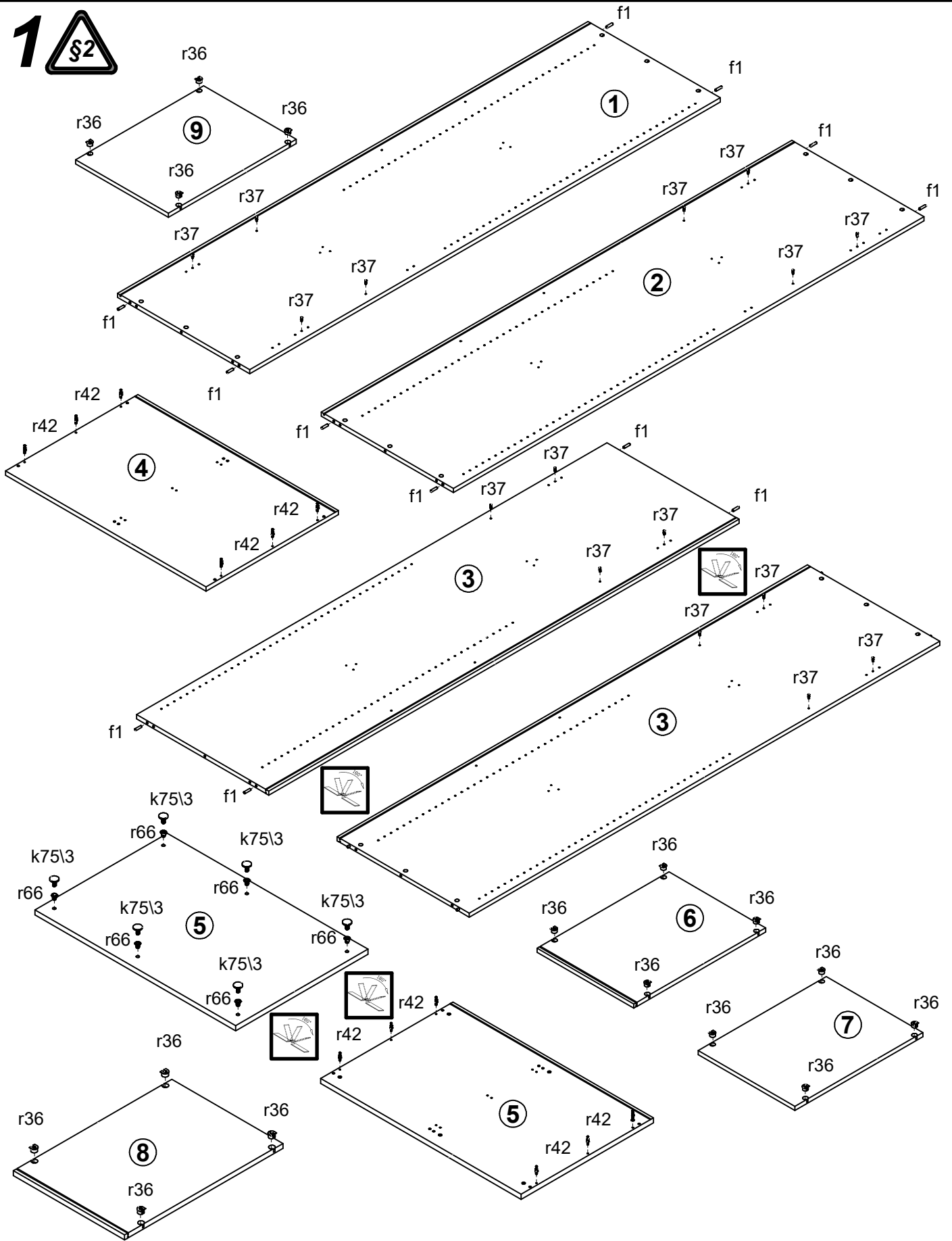
F57-SZF2D/100/240/66

A	B	C	D
1	F57-1028	2346,	659, 1/3
2	F57-1029	2346,	659, 1/3
3	F57-1033	2346	659 2/3
4	F57-2036	1000	660 3/3
5	F57-2037	1000	660 3/3
6	F57-3048	482	658 3/3
7	F57-3049	482	638 3/3
8	F57-3056	462	658 3/3
9	F57-3057	462	638 3/3
10	F57-9311	1732	491 2/3
11	F57-9313	1732	471 2/3
12	F57-9314	616	491 2/3
13	F57-9315	616	471 2/3
14	g47\25	458,	0 3/3
15	g47\26	478,	0 3/3



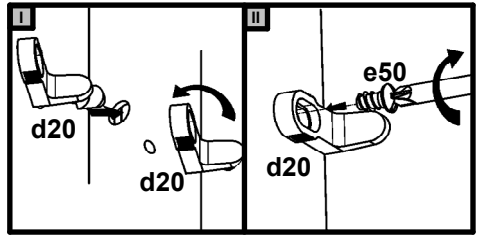
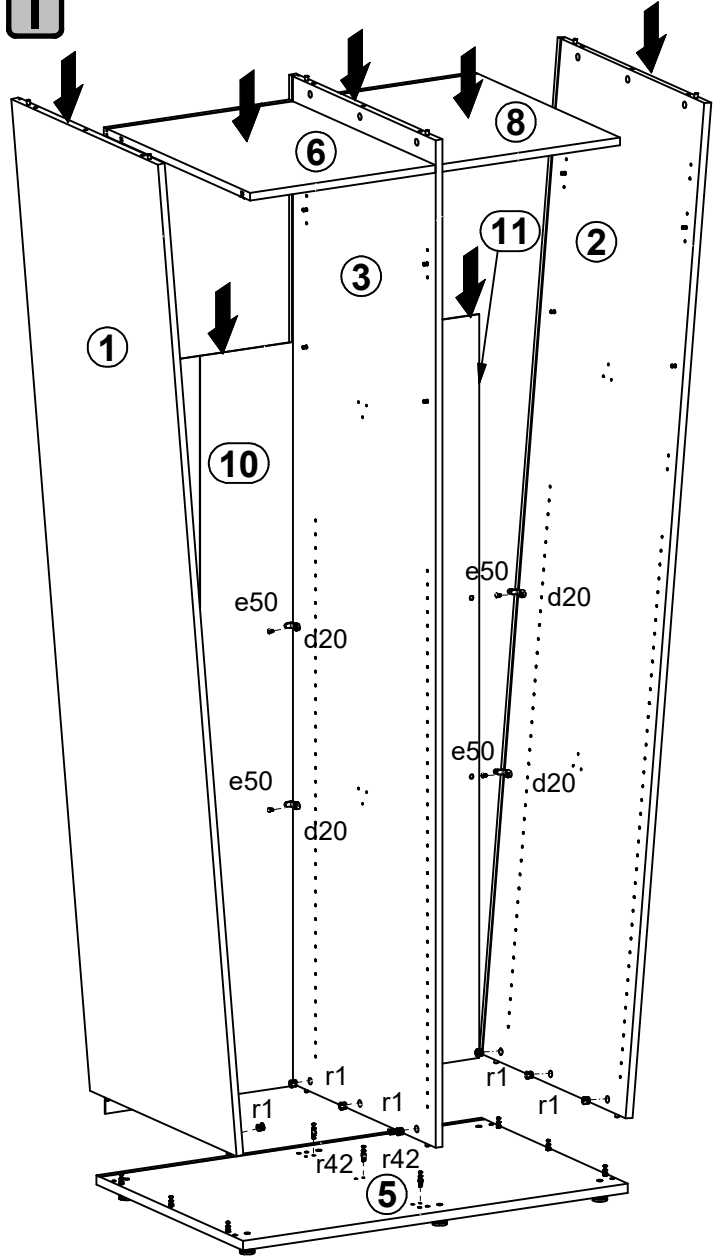
8x K0: Ø35 a204	8x Ø2 b90	8x d20	12x Ø6x13 mm e3	8x Ø6.3x10 mm e50	12x Ø8x30 mm f1	4x g46	6x 32 mm k75\3	20x l2
16x Ø3.5x15 mm p51	18x Ø15x12 mm #16 r1	16x Ø20x12 mm #16 r36	16x 6,7/7,8 r37	18x 20/11 r42	6x Ø12xM10x17mm r66	18x Ø16 s2	6x Ø5 s4	4x Ø8 s6
6x Ø12x4 mm s41	1x 4 mm z15	1x 3 mm z22			2x 88x21x15/1.5 n14\2	4x Ø3.5x16 mm p38	2x Ø5x60 mm p17	2x Ø10x50 mm f35

1 

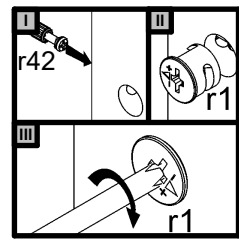
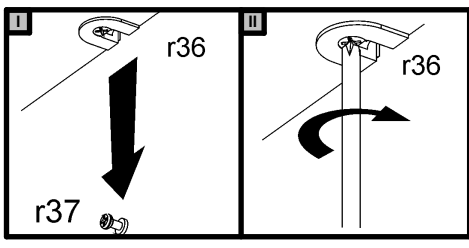
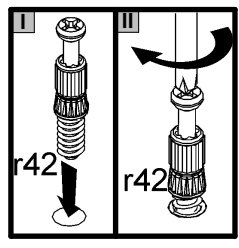
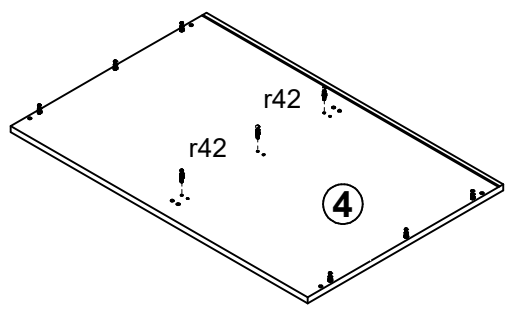
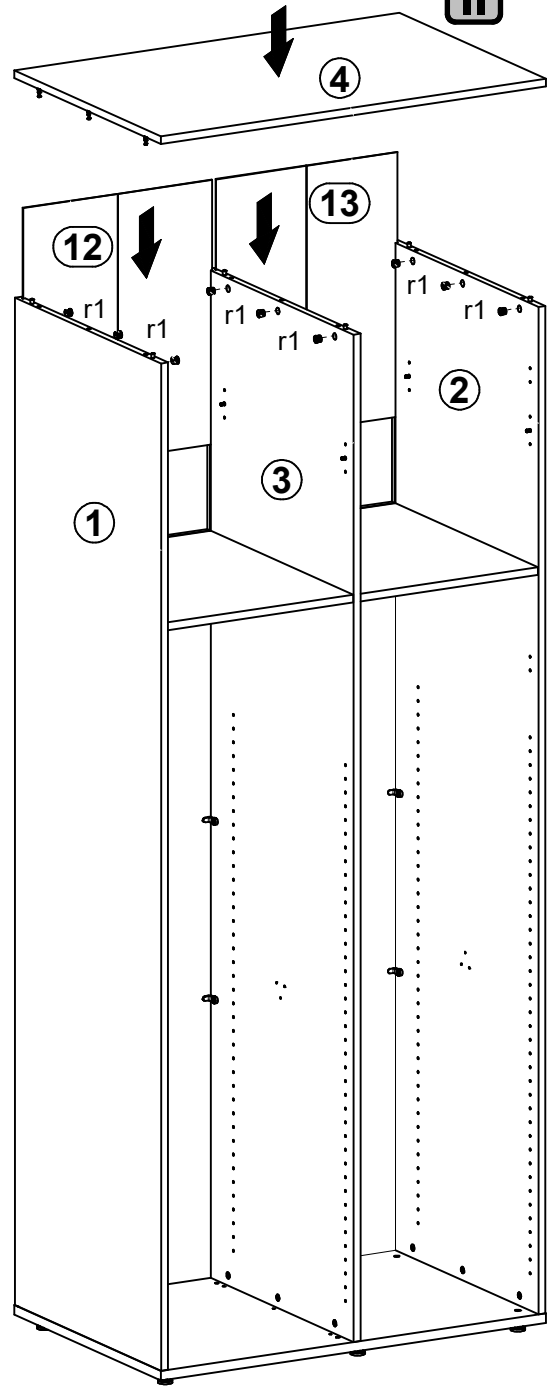


2A

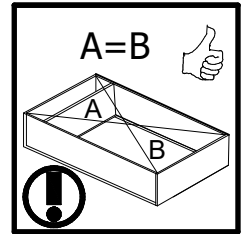
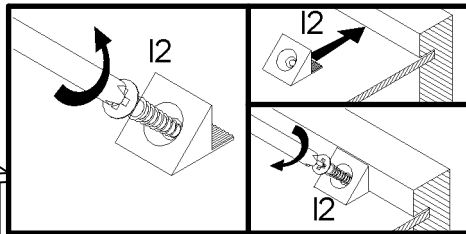
I



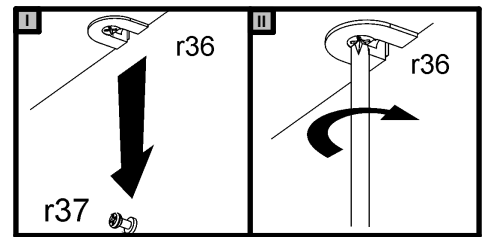
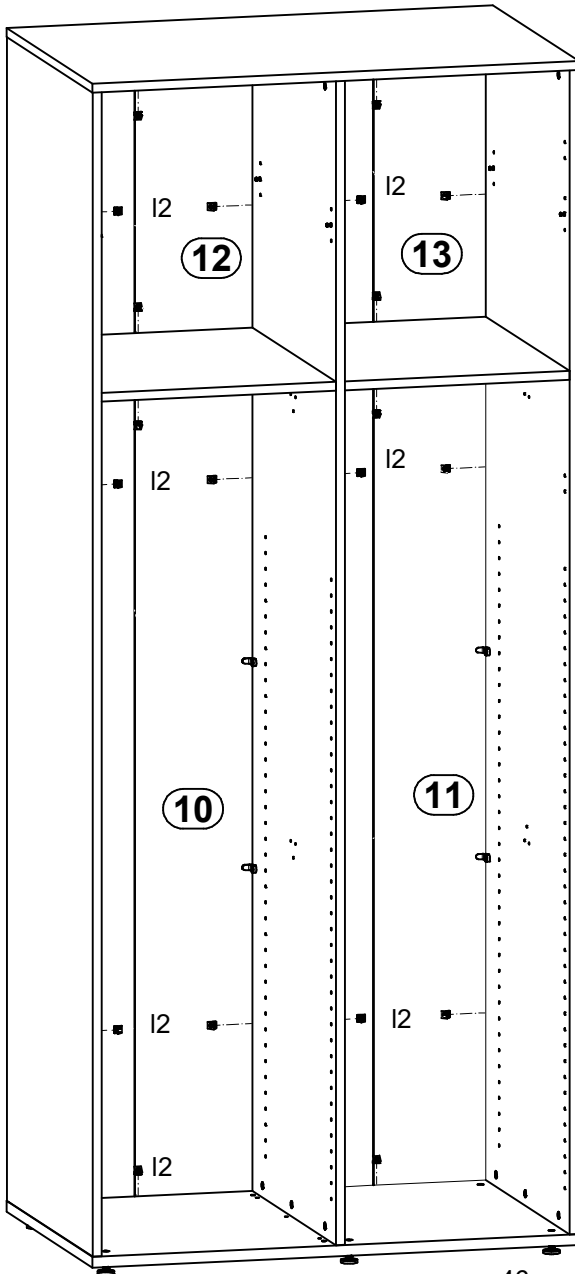
II



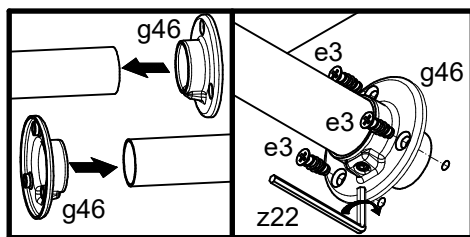
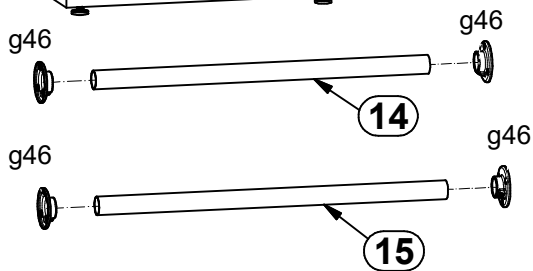
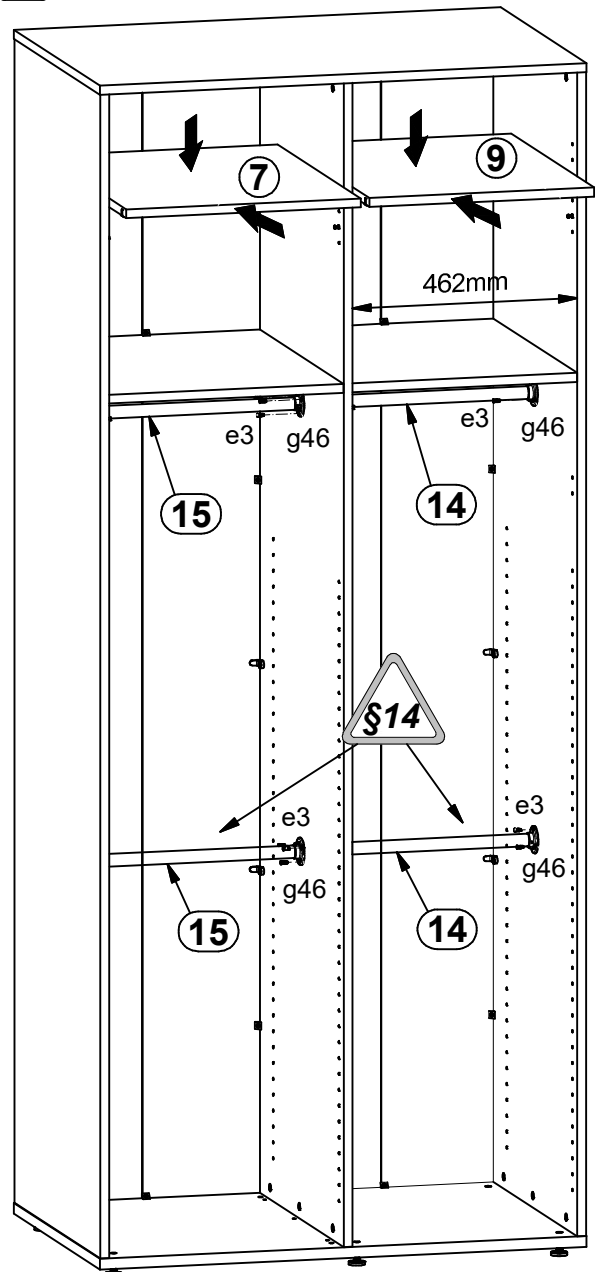
3A



I



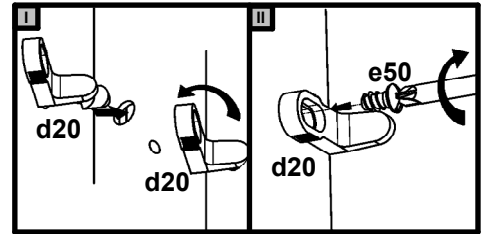
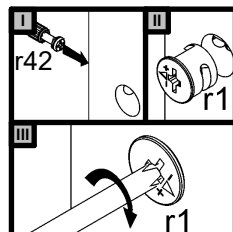
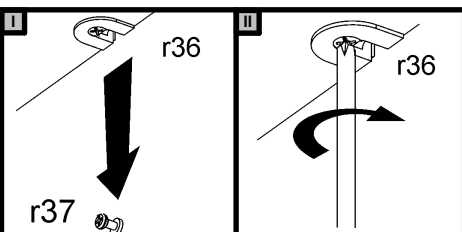
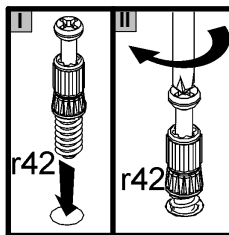
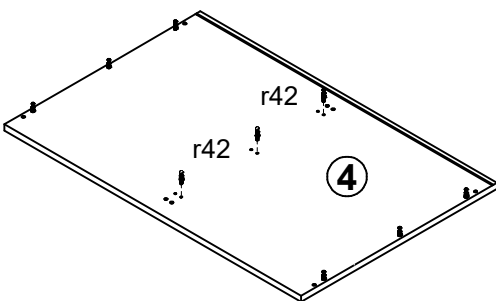
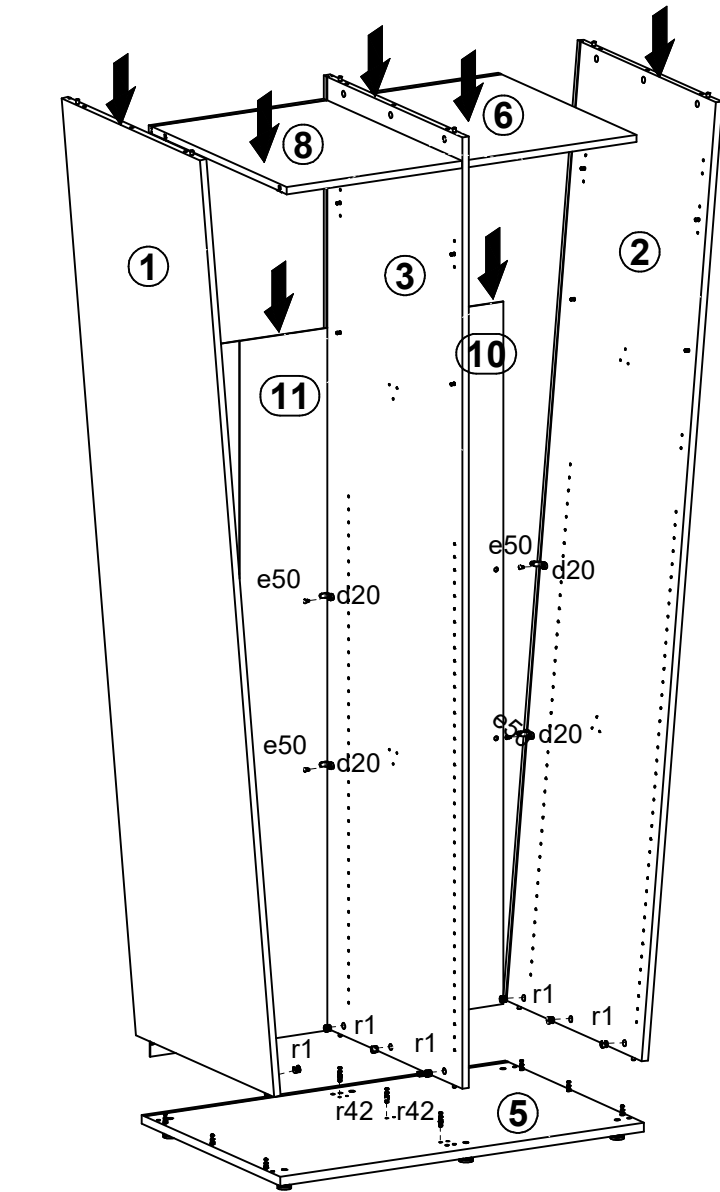
II



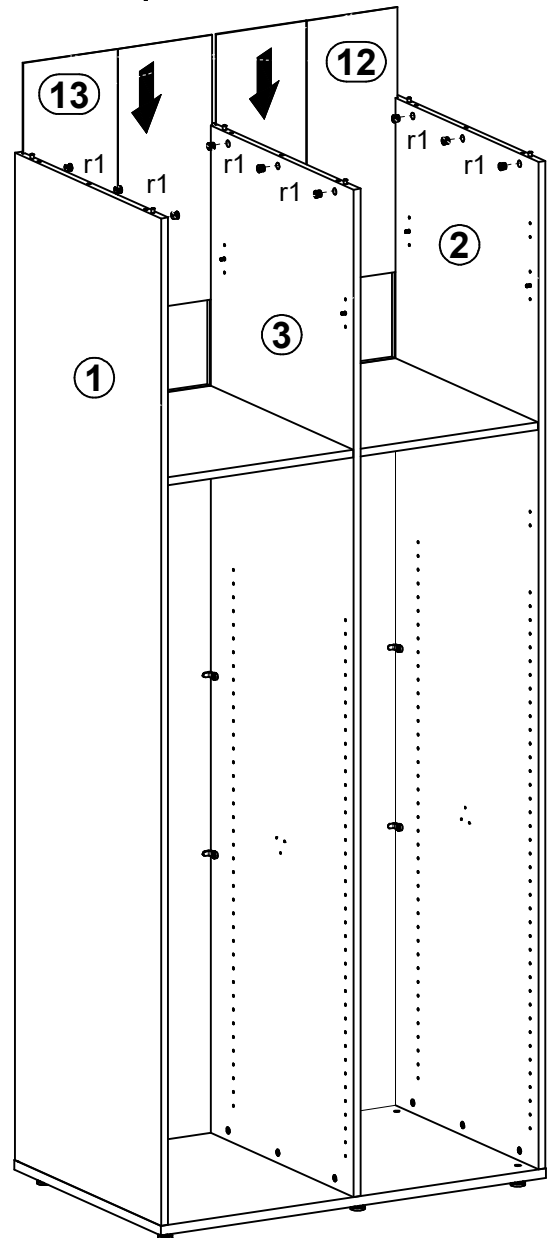
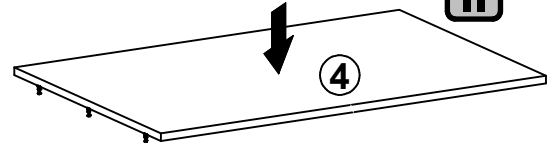
2B



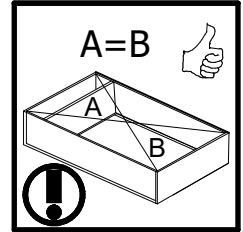
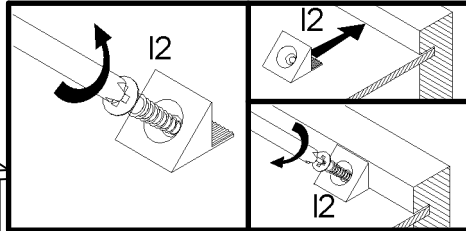
I



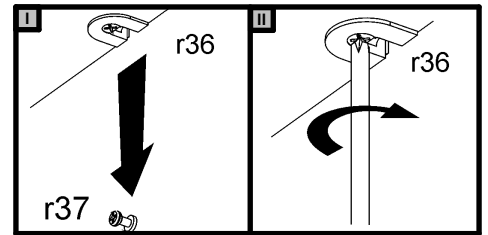
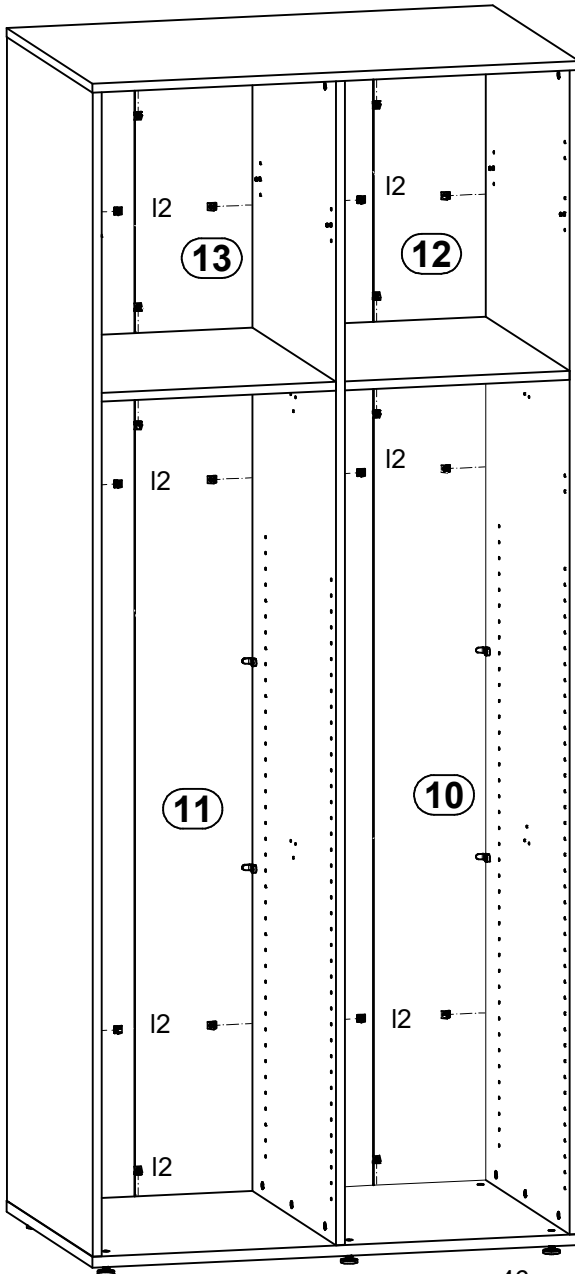
II



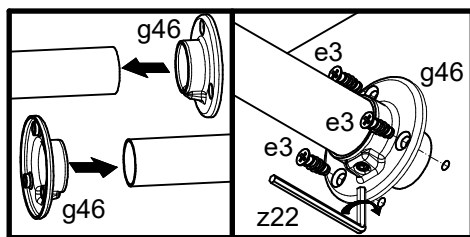
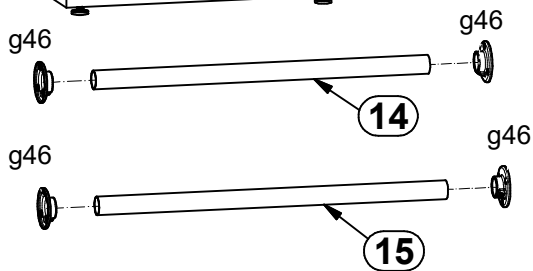
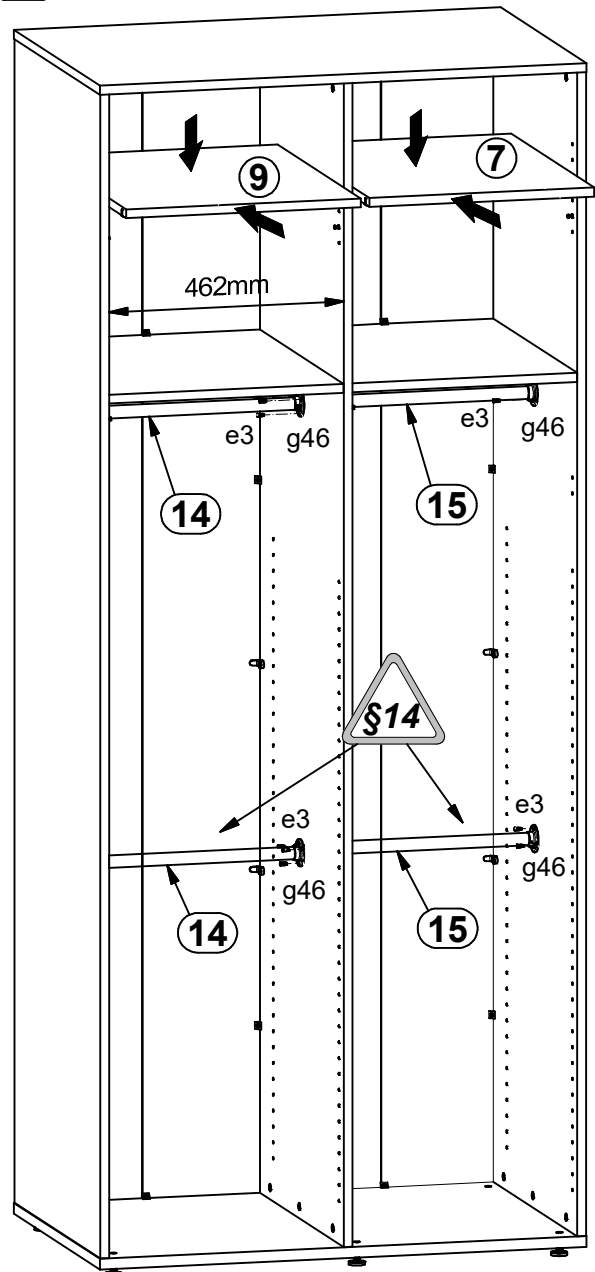
3B



I



II



4

