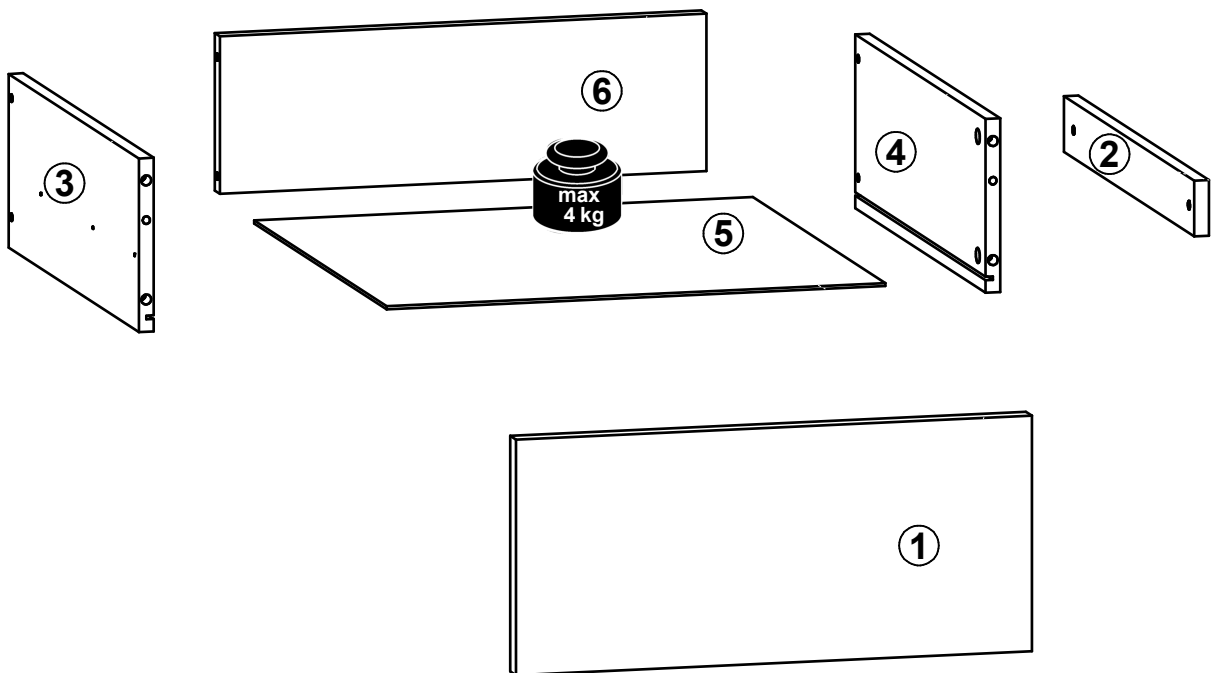
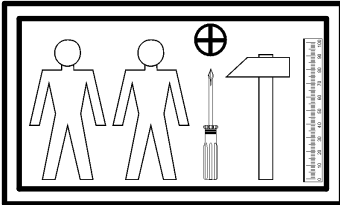
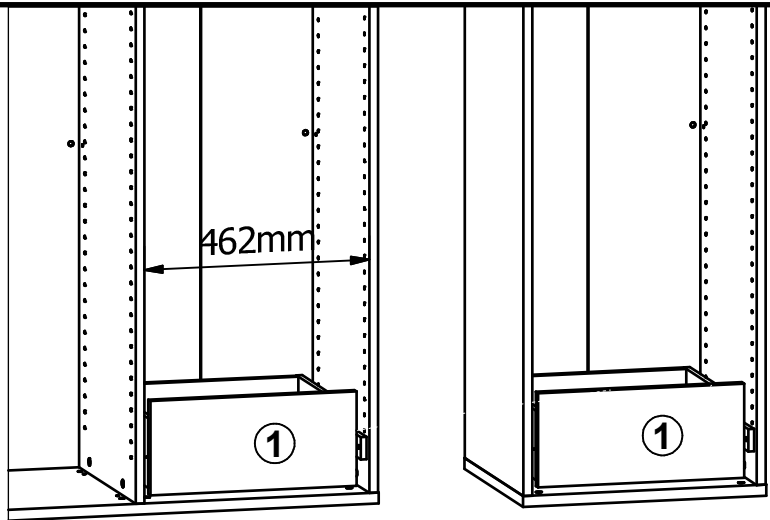


A

FLEX

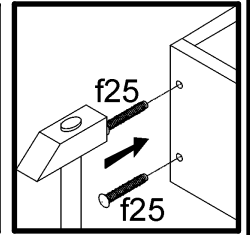
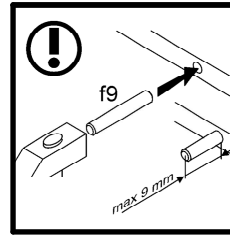
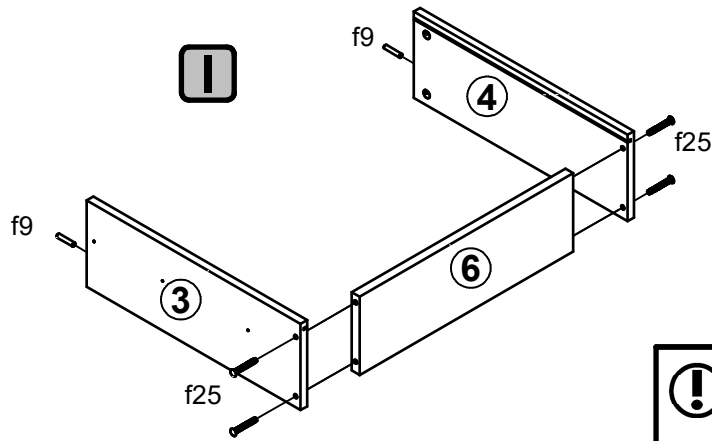
F57-SZU1S/46/45

A	B	C	D
1	F57-0137	424	190 1/1
2	F57-4009	400	45 1/1
3	F57-5016	400	140 1/1
4	F57-5017	400	140 1/1
5	F57-9033	410	407 1/1
6	ZK3-5054	400	127 1/1

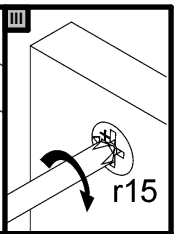
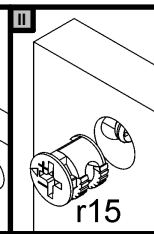
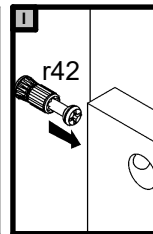
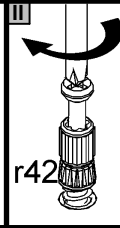
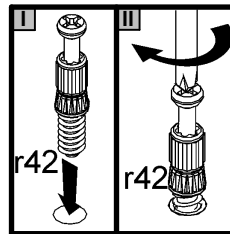
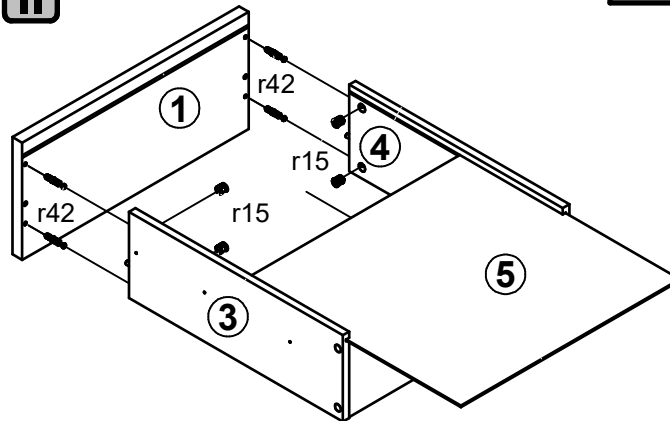


2x Ø6x13 mm e3	2x Ø6x28 mm e25	4x Ø6.5x40 mm f25	2x Ø6x30 mm f9	6x Ø3.5x12 mm p140	3x Ø3.5x16 mm p38	4x Ø12x10.5 mm #12 r15	4x r42	2x L=400 mm w209\2
2x L=400 mm w209\1								

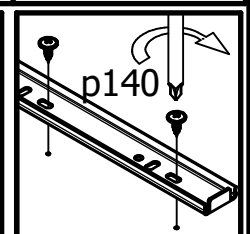
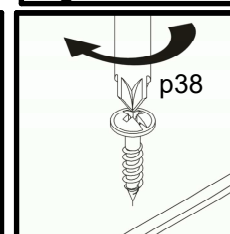
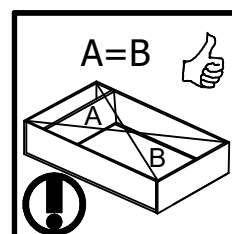
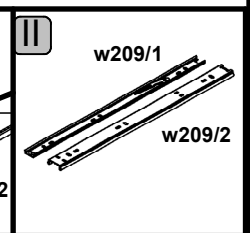
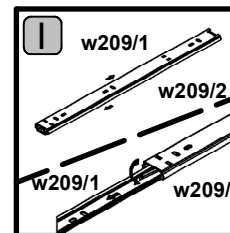
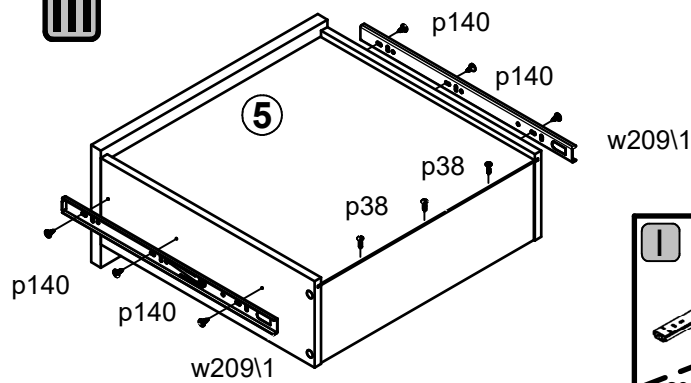
1 



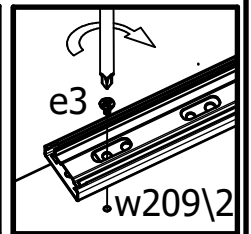
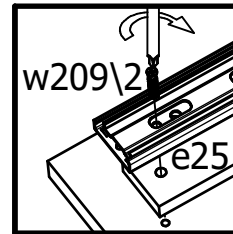
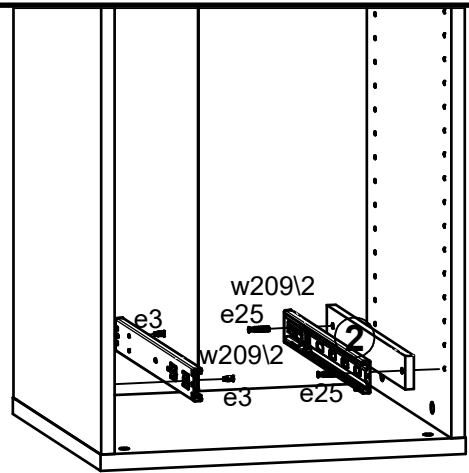
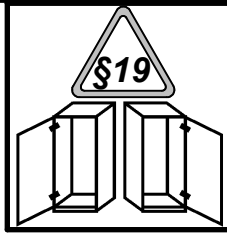
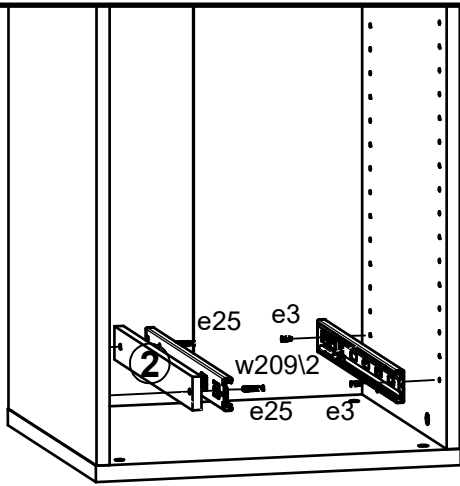
II



III



2



3

