

**A**

# FLEX

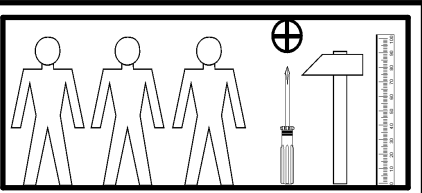
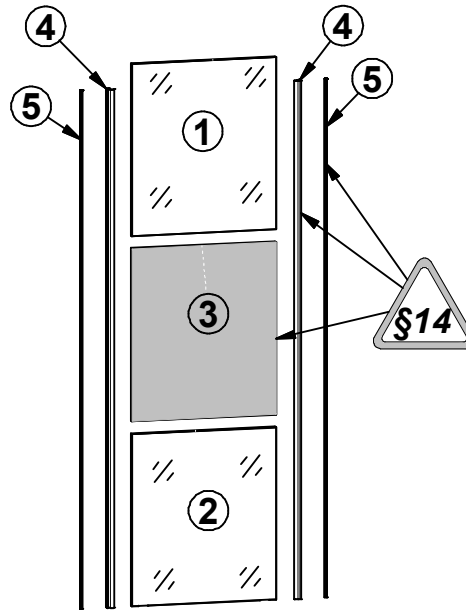
# F57-FRN-120/218/SZK-Z

A	B	C	D	
1	F57-0074	594	696	1/1
2	F57-0075	594	696	1/1



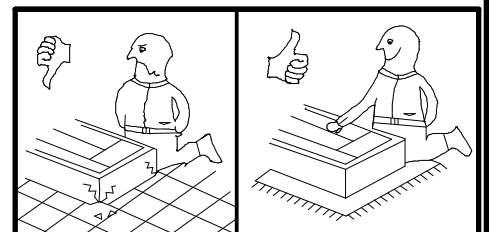
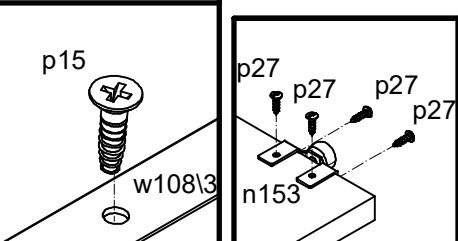
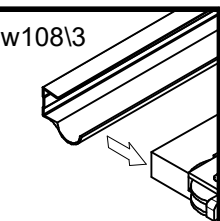
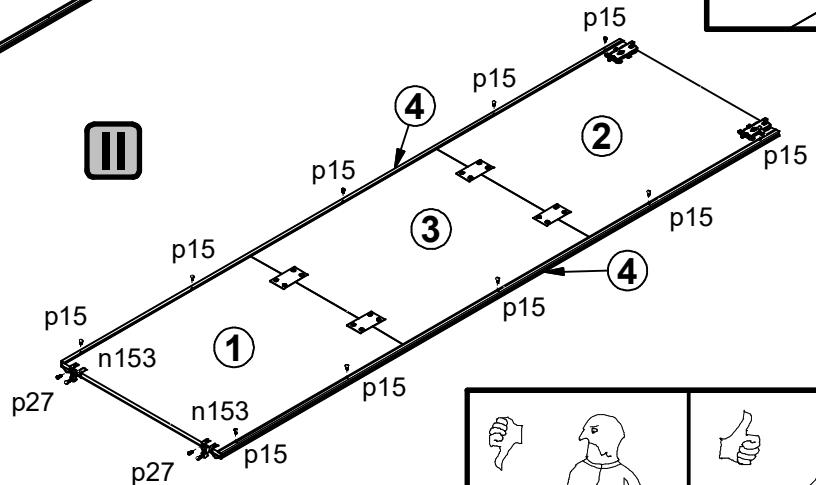
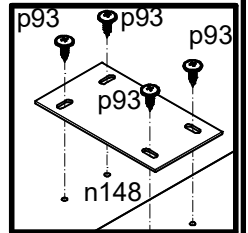
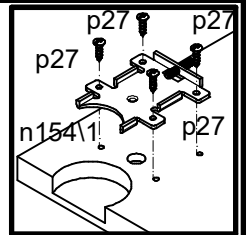
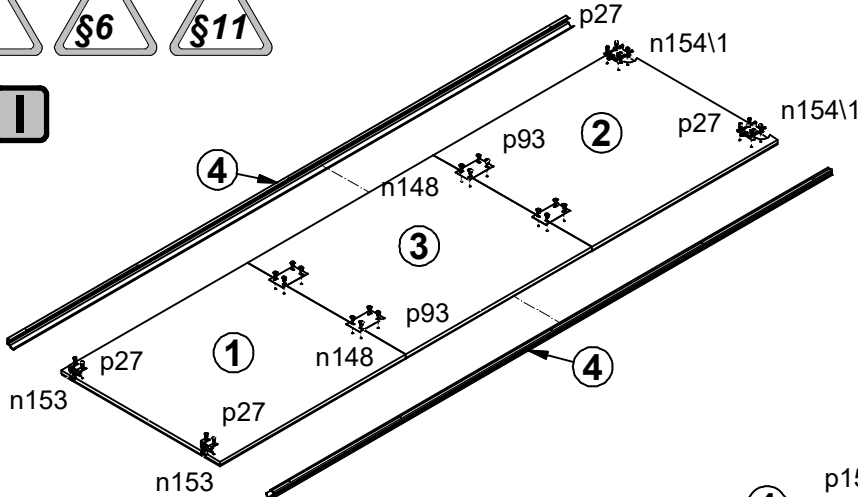
3		594	696	1/1
---	--	-----	-----	-----

4	w108\3	2090	-	1/2
5	Eg-sp_2090	2090	-	2/2

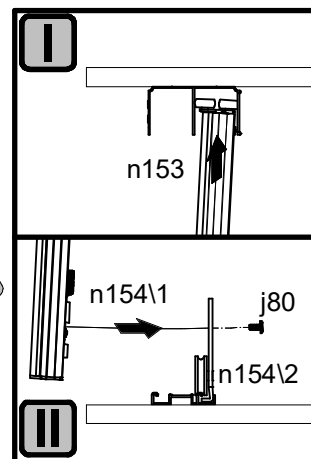
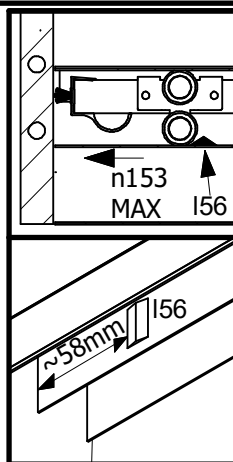
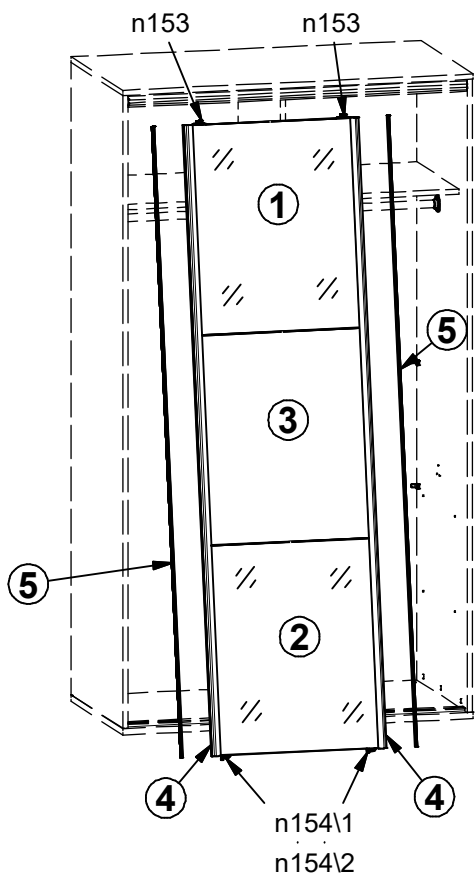


2x M5x8 mm <b>j80</b>	4x 90x50\1,5 mm <b>n148</b>	2x <b>n153</b>	2x <b>n154\1</b>	2x <b>n154\2</b>		2x 2090 mm <b>w108\3</b>
1x 2 mm <b>z27</b>	2x <b>i56</b>	16x Ø3,5x13 mm <b>p27</b>	16x Ø4x13 mm <b>p93</b>	10x Ø2,5x13 mm <b>p15</b>		2x <b>Eg-sp_2090</b>

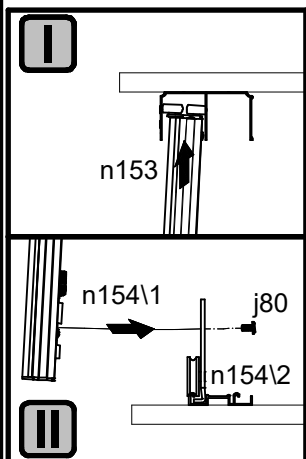
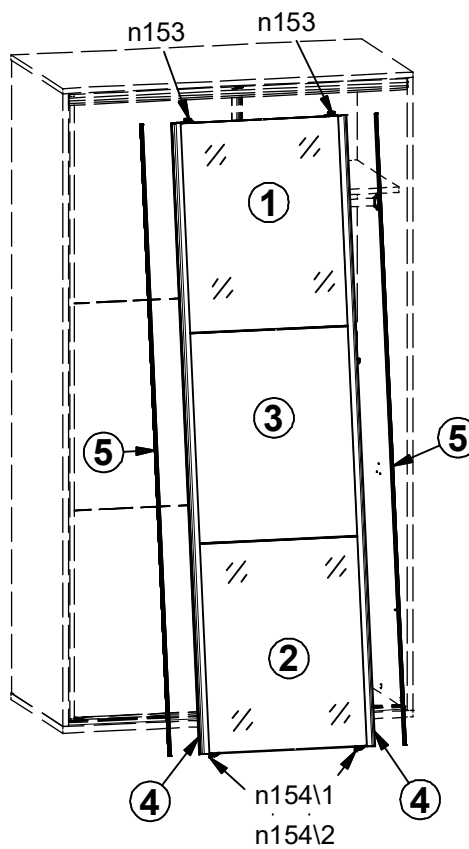
**1** §2 §6 §11



2 §11



§19



§19

