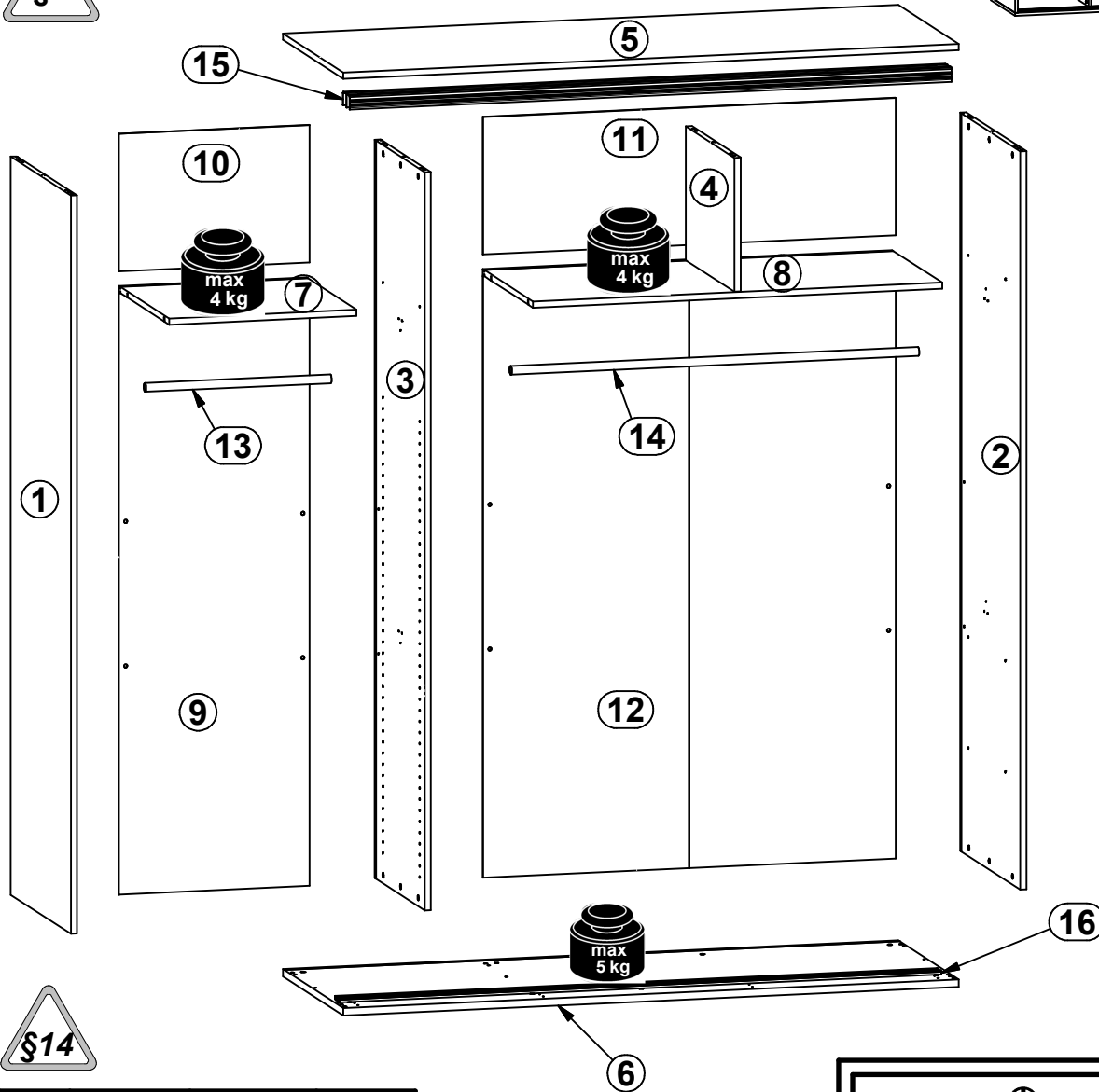
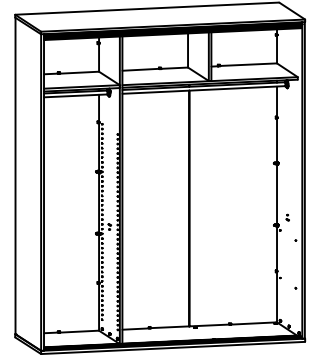
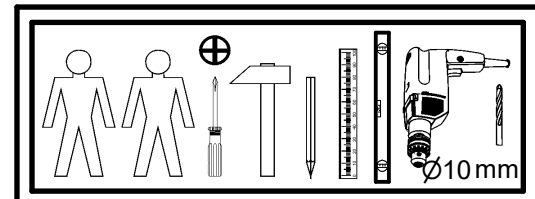


A	B	C	D	A	B	C	D		
1	F57-1007	2126	659	1/5	8	F57-3012	1201	549	4/5
2	F57-1008	2126	659	1/5	9	F57-9001	1732	560	5/5
3	F57-1009	2126	550	2/5	10	F57-9010	396	560	5/5
4	F57-1011	386	533	4/5	11	F57-9014	396	1211	5/5
5	F57-2007	1807	660	3/5	12	F57-9304	1732	1211	5/5
6	F57-2008	1807	660	3/5	13	g47\19	545	0	4/5
7	F57-3001	550	549	4/5	14	g47\23	1196	0	4/5

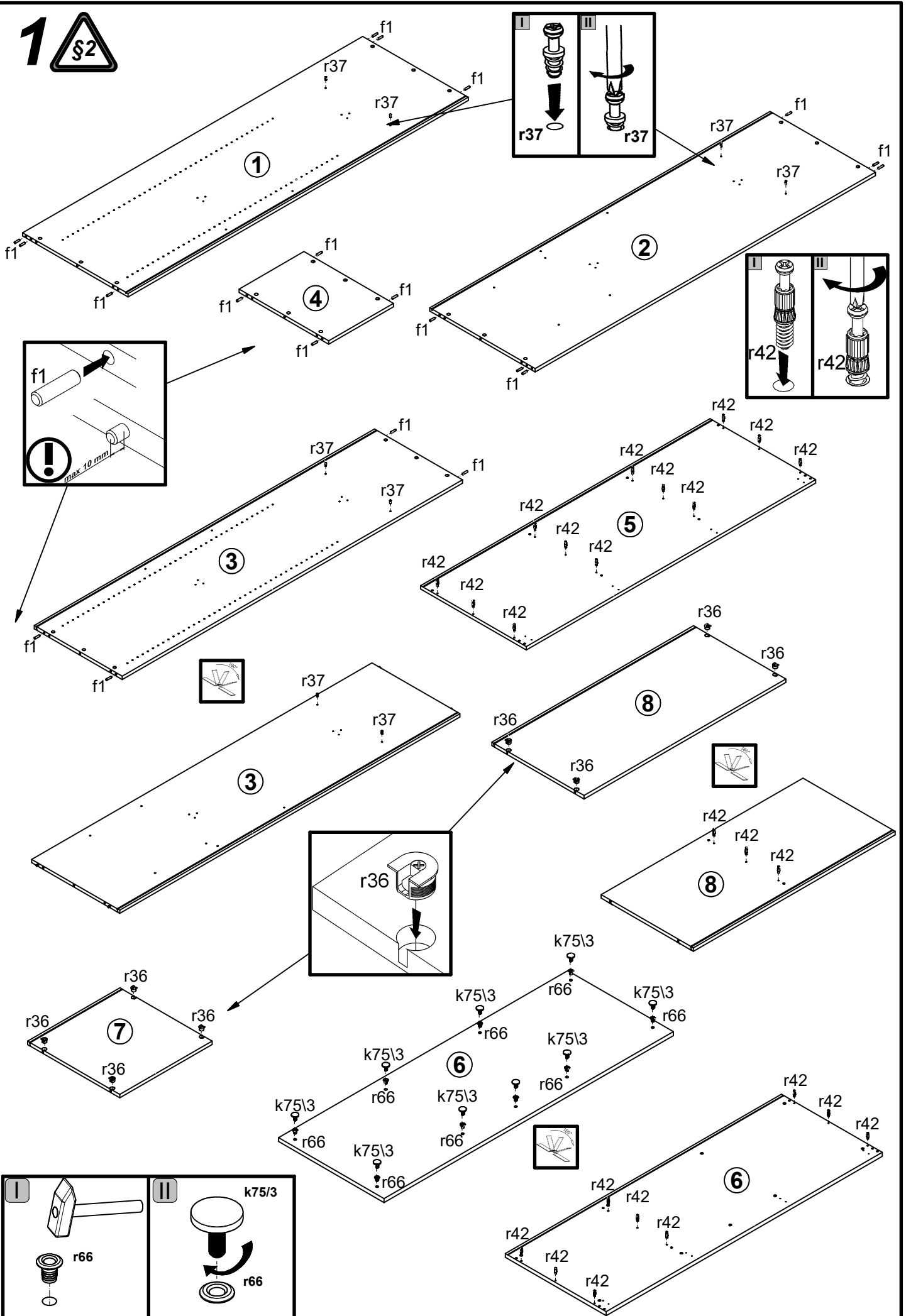
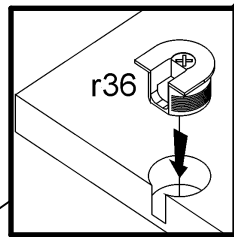
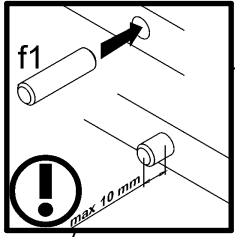
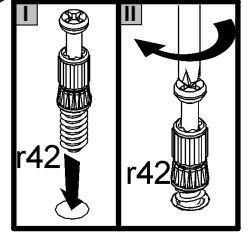
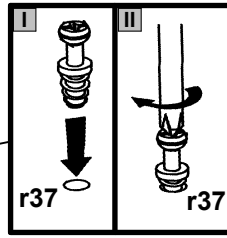


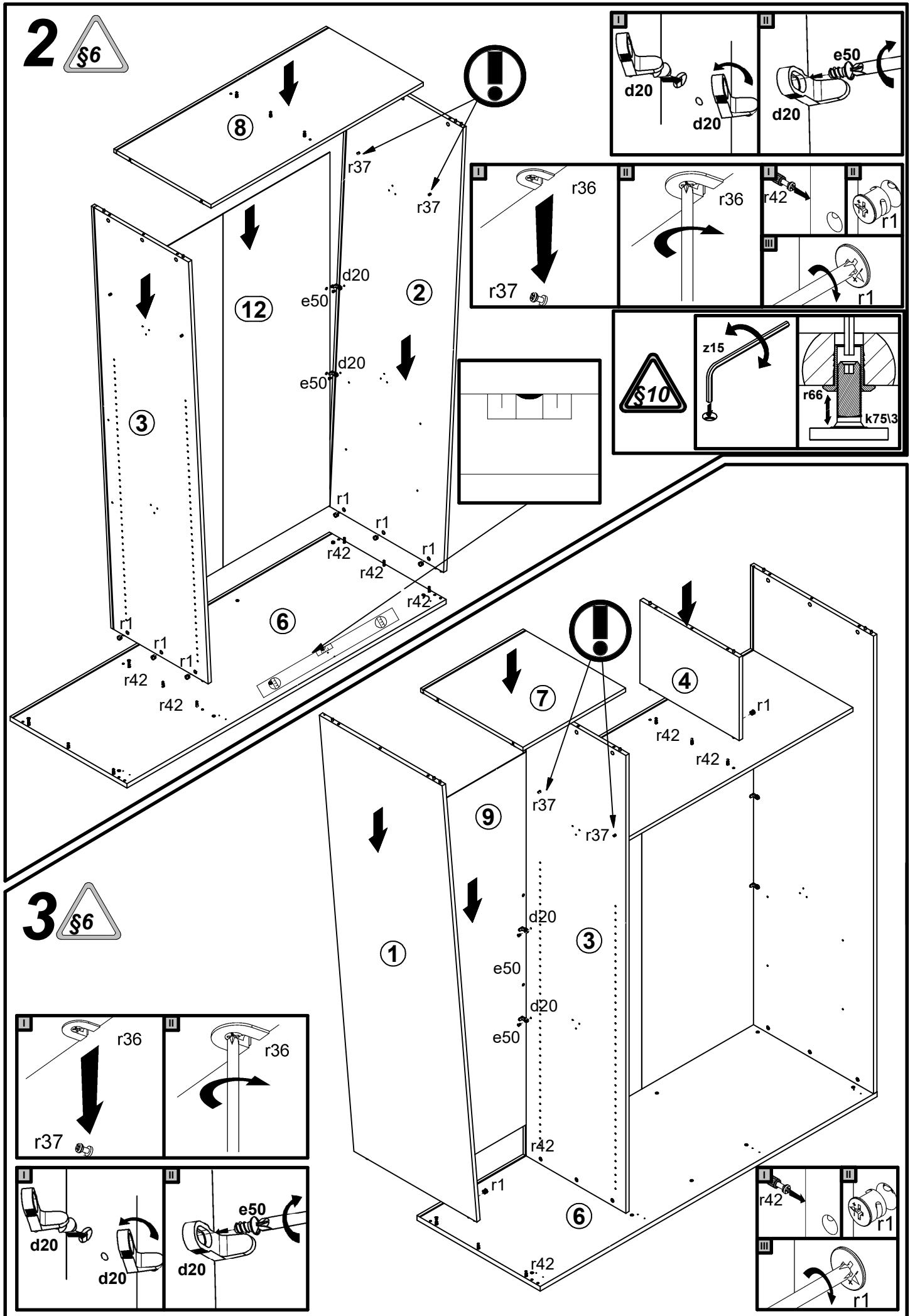
A	B	C	D	
15	w106\7	1767	76	1/1
16	w107\7	1767	53	1/1



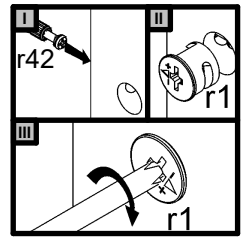
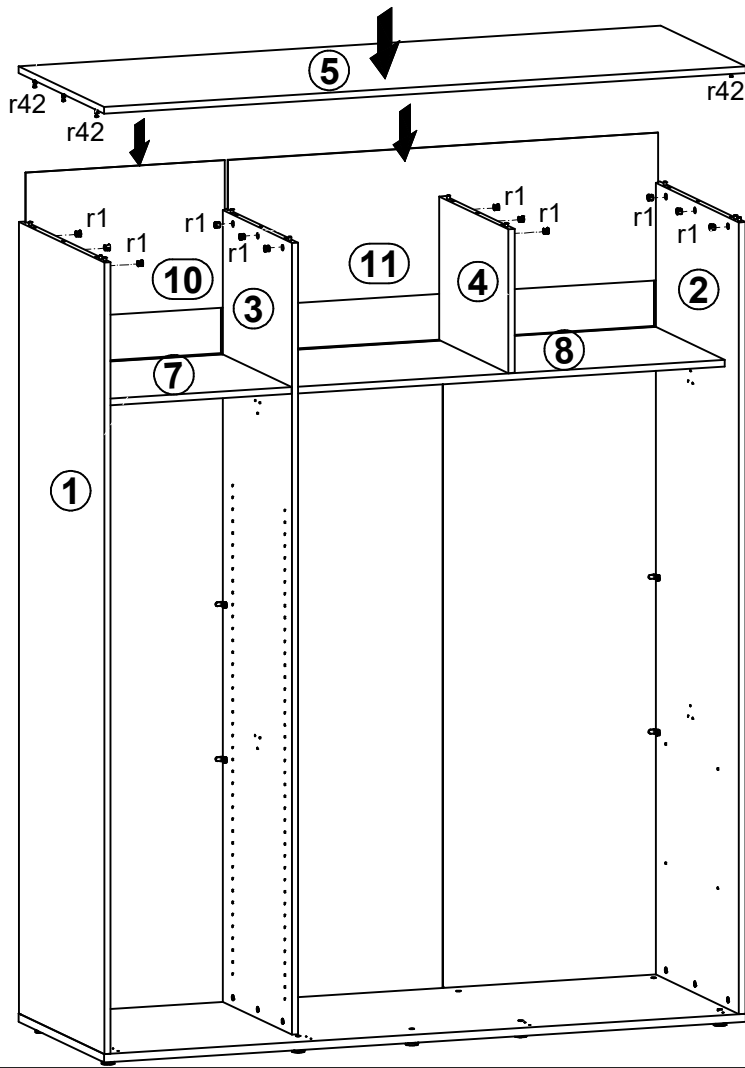
8x d20	12x Ø6x13 mm e3	8x Ø6.3x10 mm e50	20x Ø8x30 mm f1	4x g46	9x 32 mm k75\3	24x l2	16x Ø3.5x15 mm p51	24x Ø15x12 mm #16 r1
8x Ø20x12 mm #16 r36	8x 6.7\7.8 r37	24x 20\11 r42	9x Ø12xM10x17mm r66	24x Ø16 s2	9x Ø12x4 mm s41	1x 4 mm z15	1x 3 mm z22	
				2x 88x21x15\1.5 n14\2	4x Ø3.5x16 mm p38	2x Ø5x60 mm p17	2x Ø10x50 mm f35	

1 

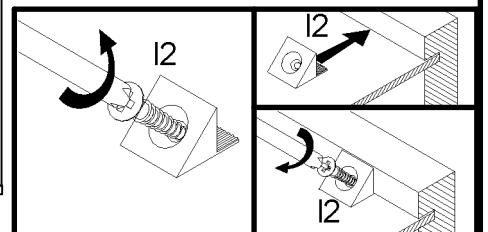
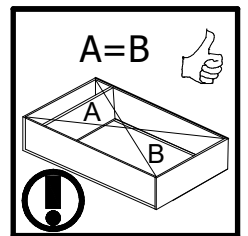
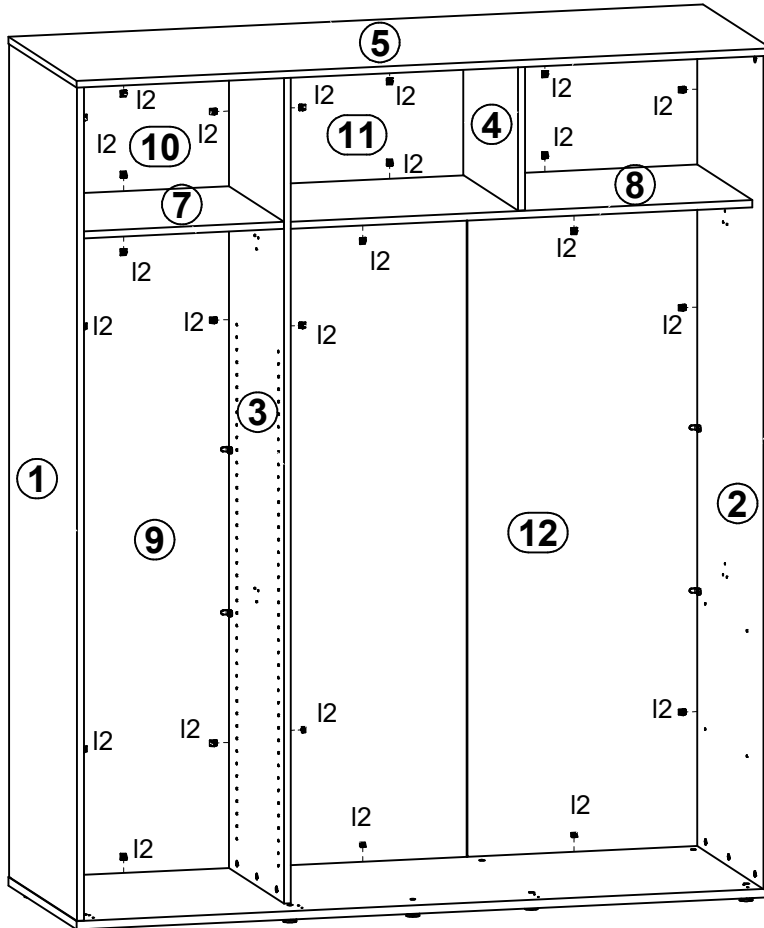




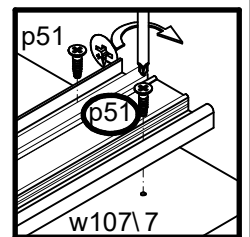
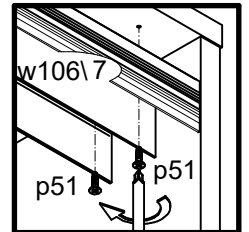
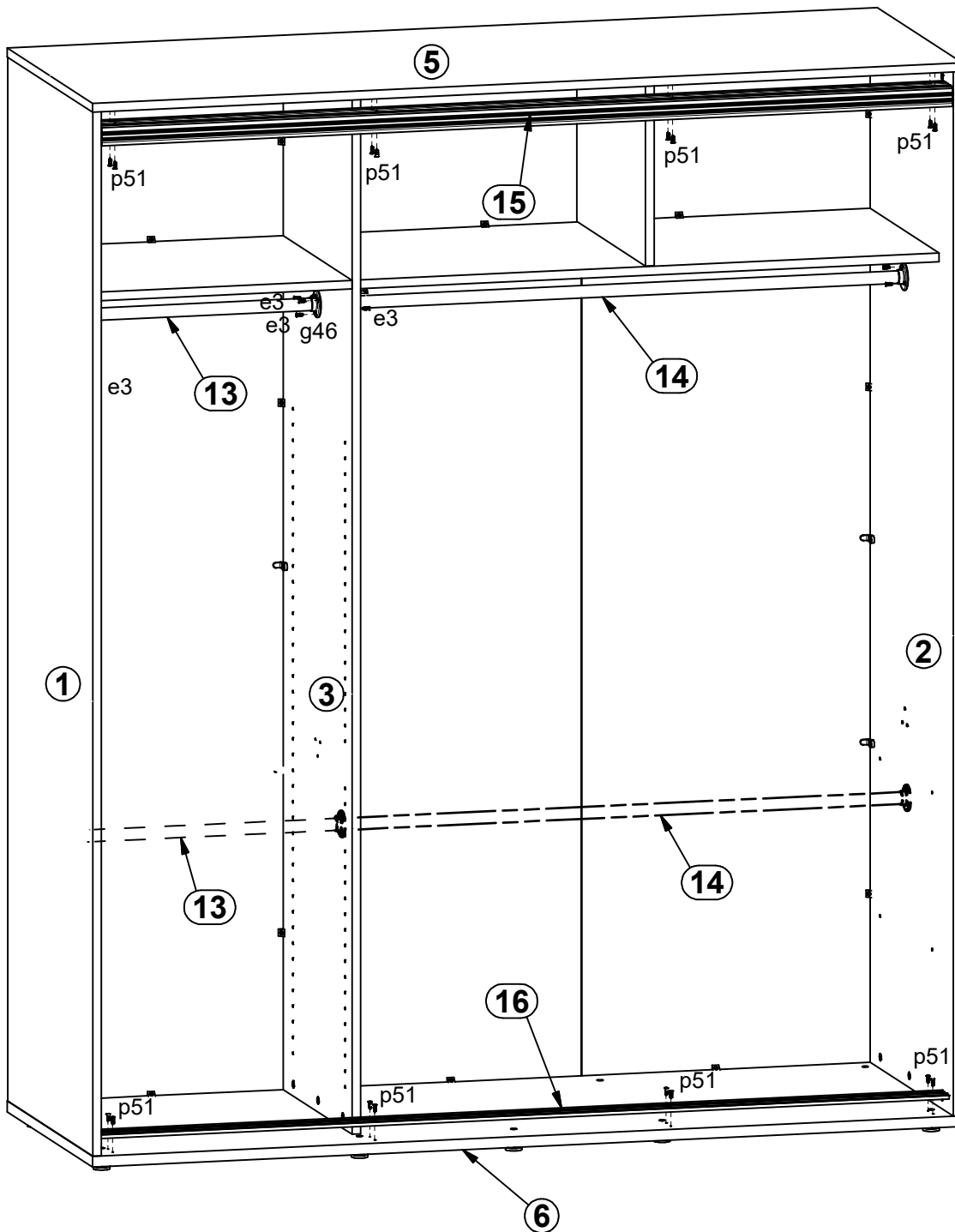
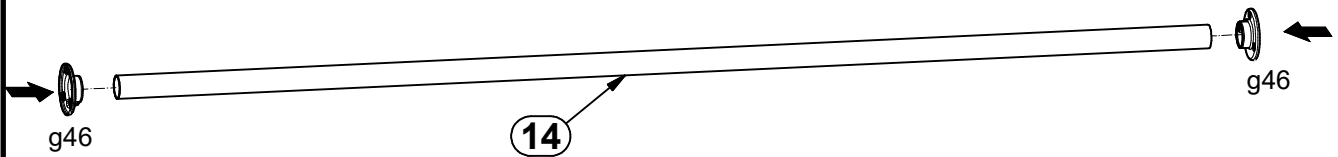
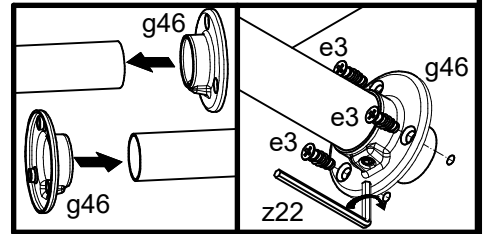
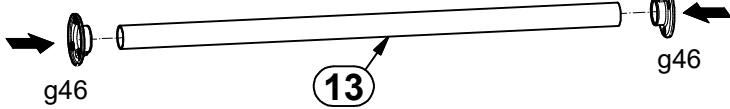
4 §6



5 §6



6



7 §6

