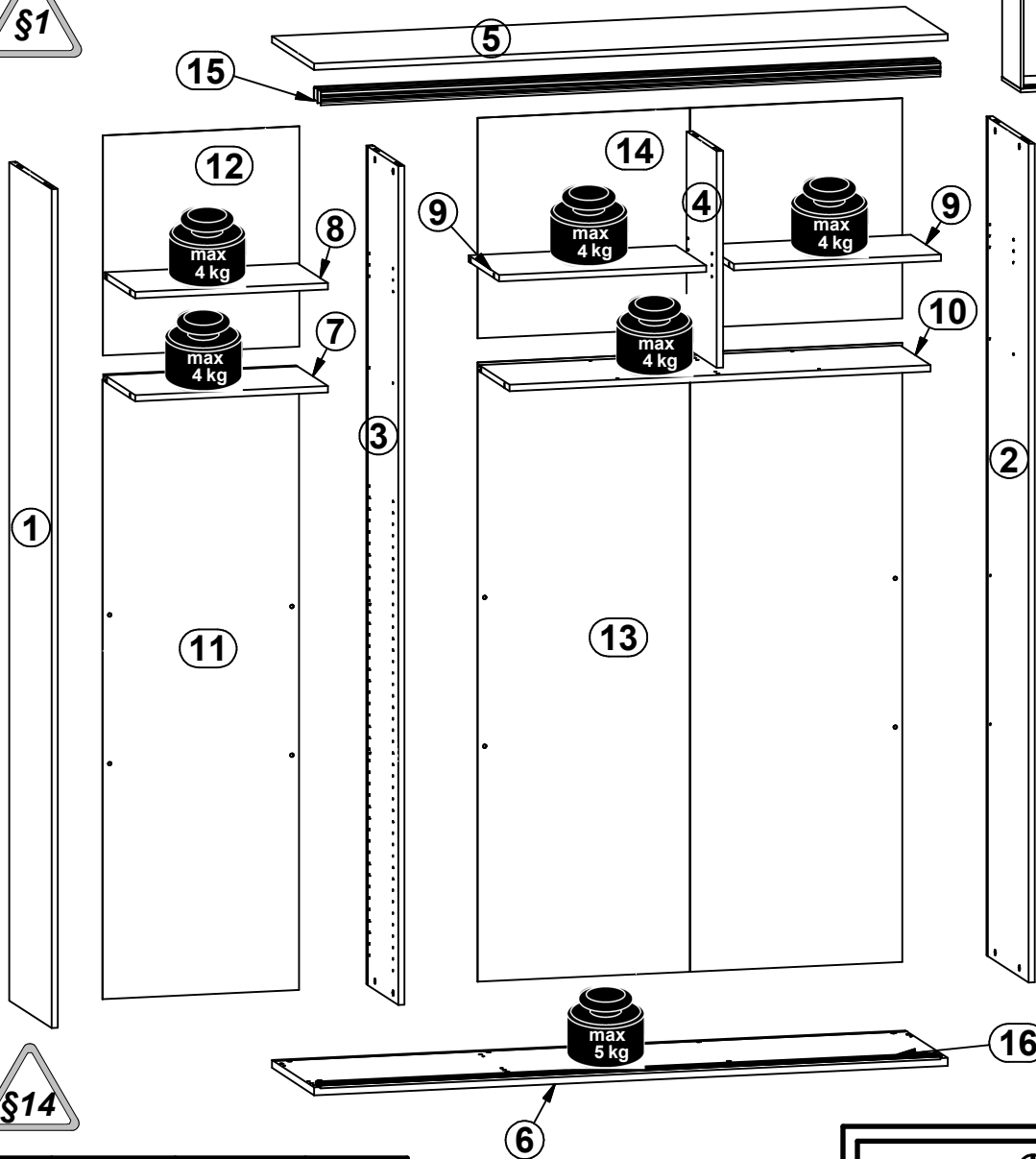
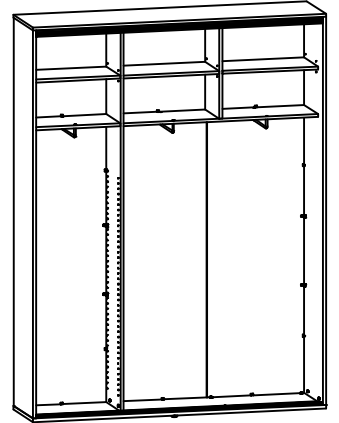
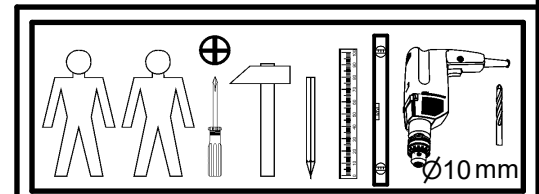


A	B	C	D	A	B	C	D	
1	F57-1014	2346	449	1/5	8	F57-3028	550 323	4/5
2	F57-1015	2346	449	1/5	9	F57-3035	591 323	4/5
3	F57-1016	2346	340	2/5	10	F57-3036	1201 339	4/5
4	F57-1017	606	323	4/5	11	F57-9001	1732 560	5/5
5	F57-2024	1807	450	3/5	12	F57-9002	616 560	5/5
6	F57-2025	1807	450	3/5	13	F57-9304	1732 1211	5/5
7	F57-3027	550	339	4/5	14	F57-9326	616 1211	5/5

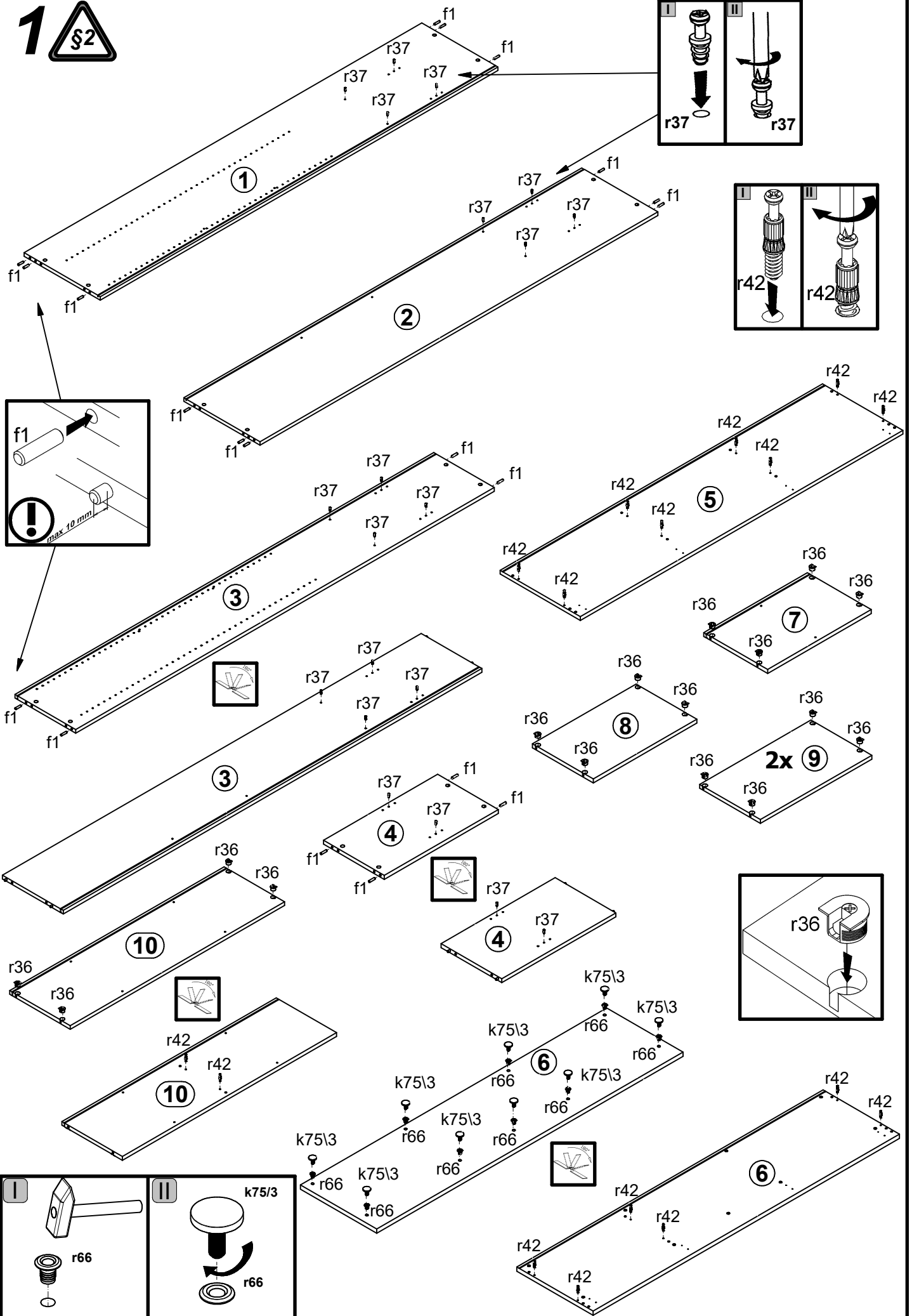


A	B	C	D
15	w106\7	1767	76 1/1
16	w107\7	1767	53 1/1

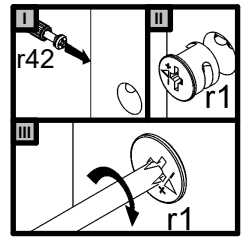
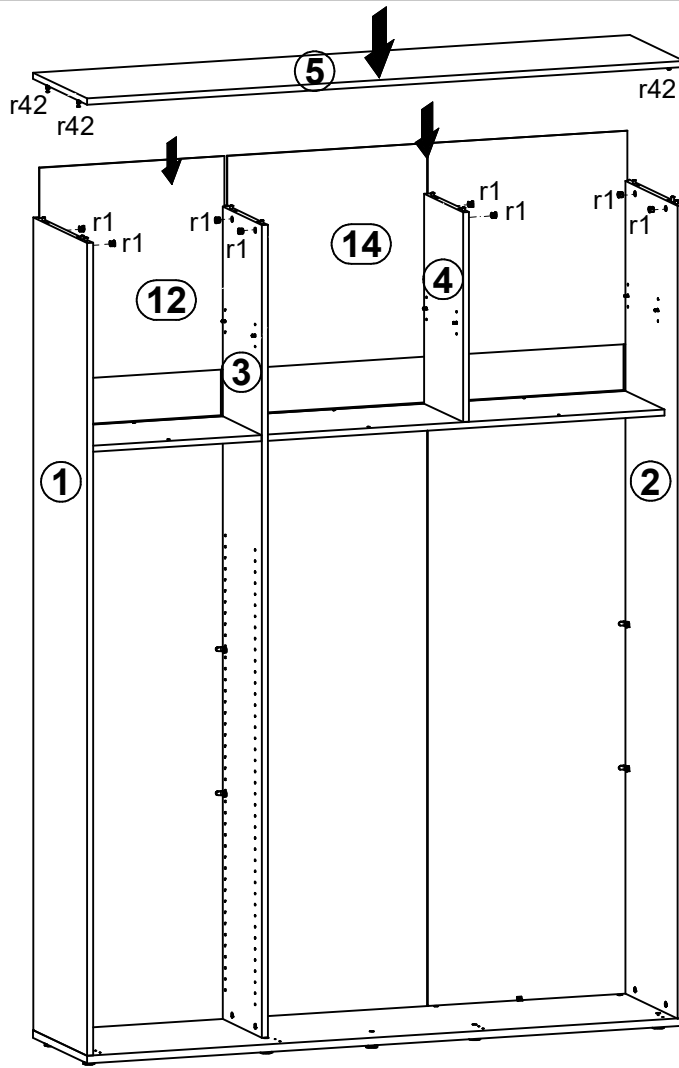


8x d20	8x Ø6.3x10 mm e50	20x Ø8x30 mm f1	3x L-296x60 g76\1	6x M4x25 mm j53	9x 32 mm k75\3	24x l2	16x Ø3.5x15 mm p51	16x Ø15x12 mm #16 r1
20x Ø20x12 mm #16 r36	20x 6,7/7,8 r37	16x 20/11 r42	9x Ø12xM10x17mm r66	16x Ø16 s2	9x Ø12x4 mm s41	1x 4 mm z15		
					2x 86x21x15/1,5 n14\2	4x Ø3,5x16 mm p38	2x Ø5x60 mm p17	2x Ø10x50 mm f35

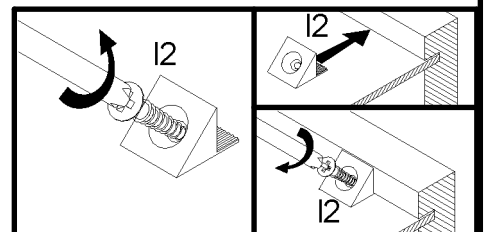
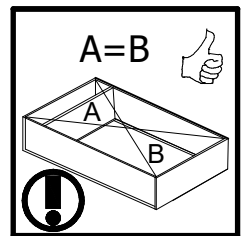
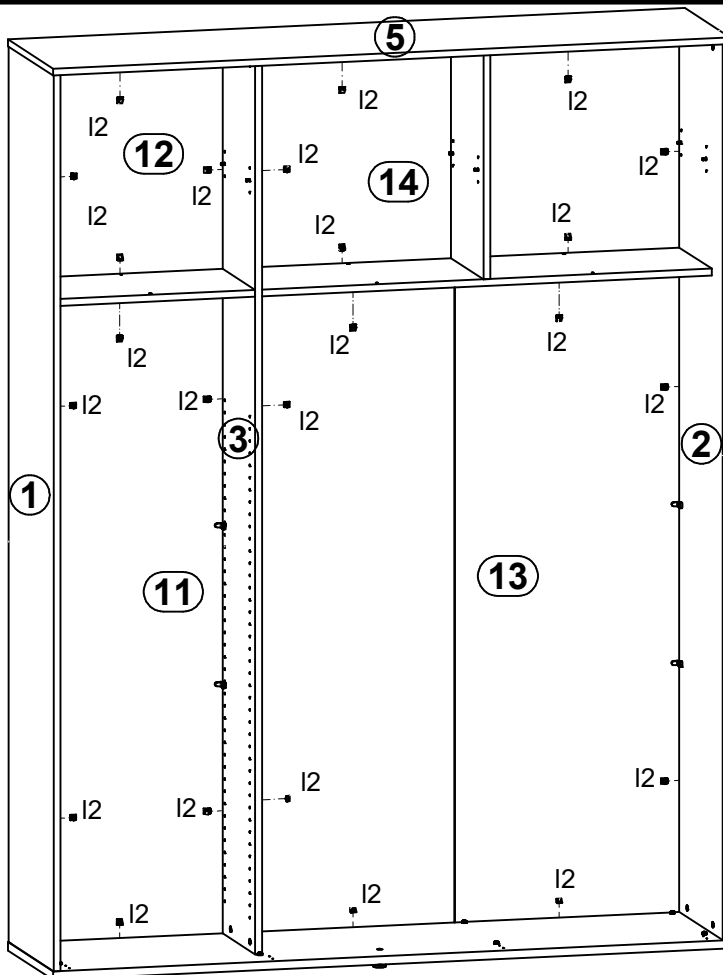
1 



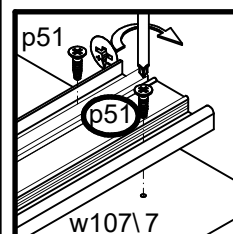
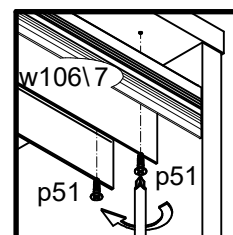
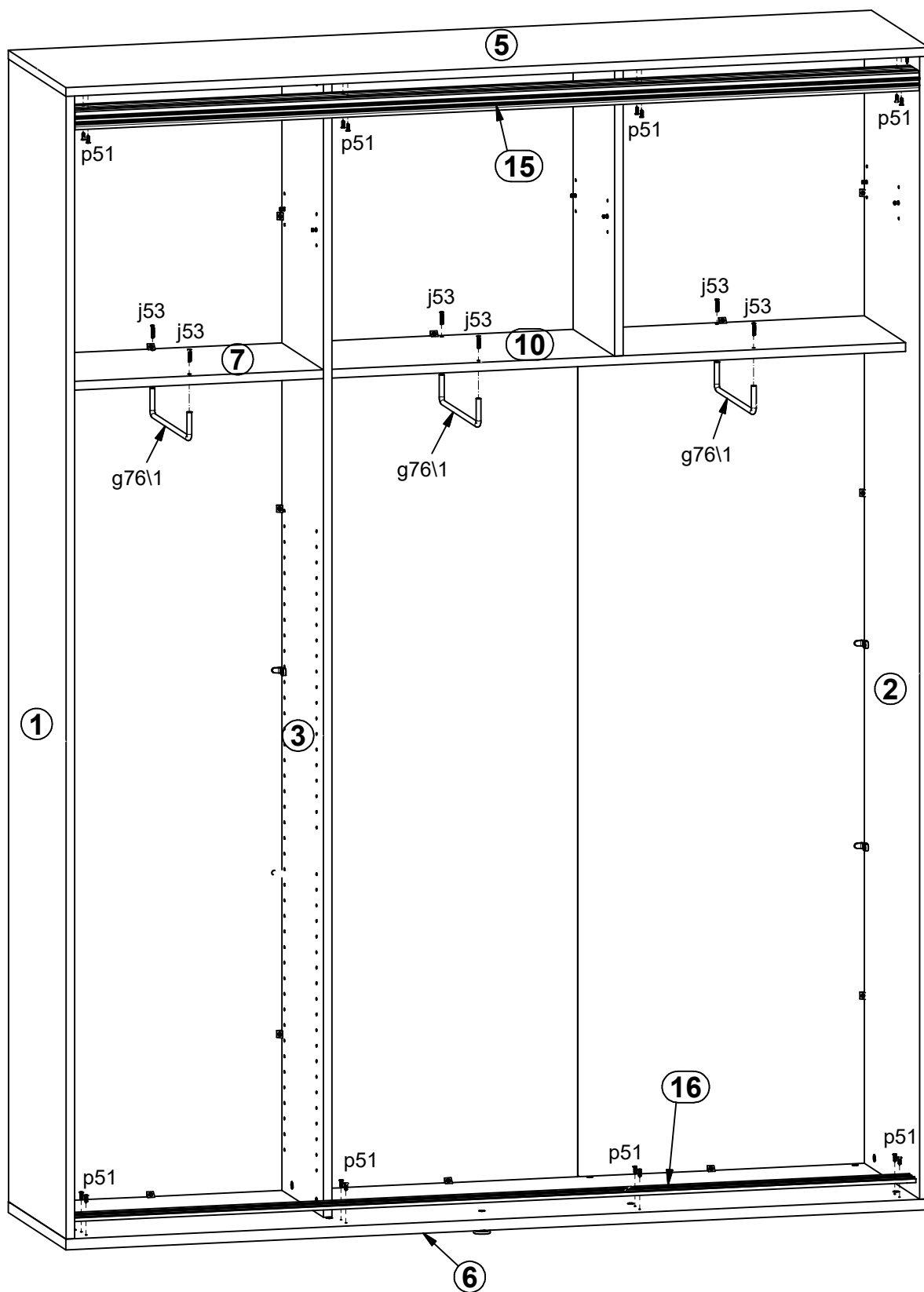
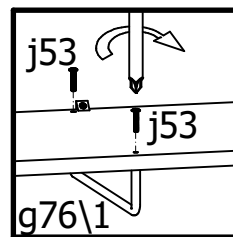
4 §6



5 §6



6 §6



7 §6

