

A

FLEX

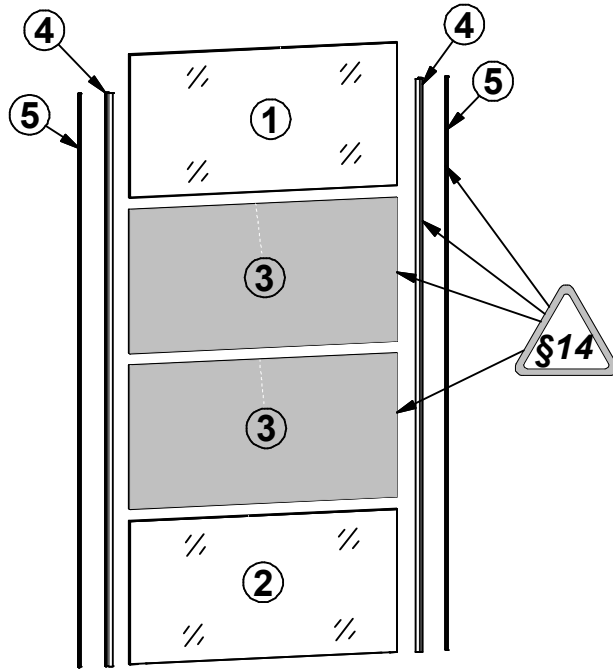
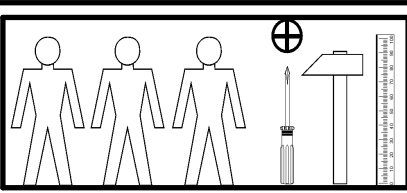
F57-FRN-220/240/SZK-Z

A	B	C	D
1	F57-0064	1098	577
2	F57-0065	1098	577



3		1098	577
---	--	------	-----

4	w108\2	2310	-
5	Eg-sp_2310	2310	-

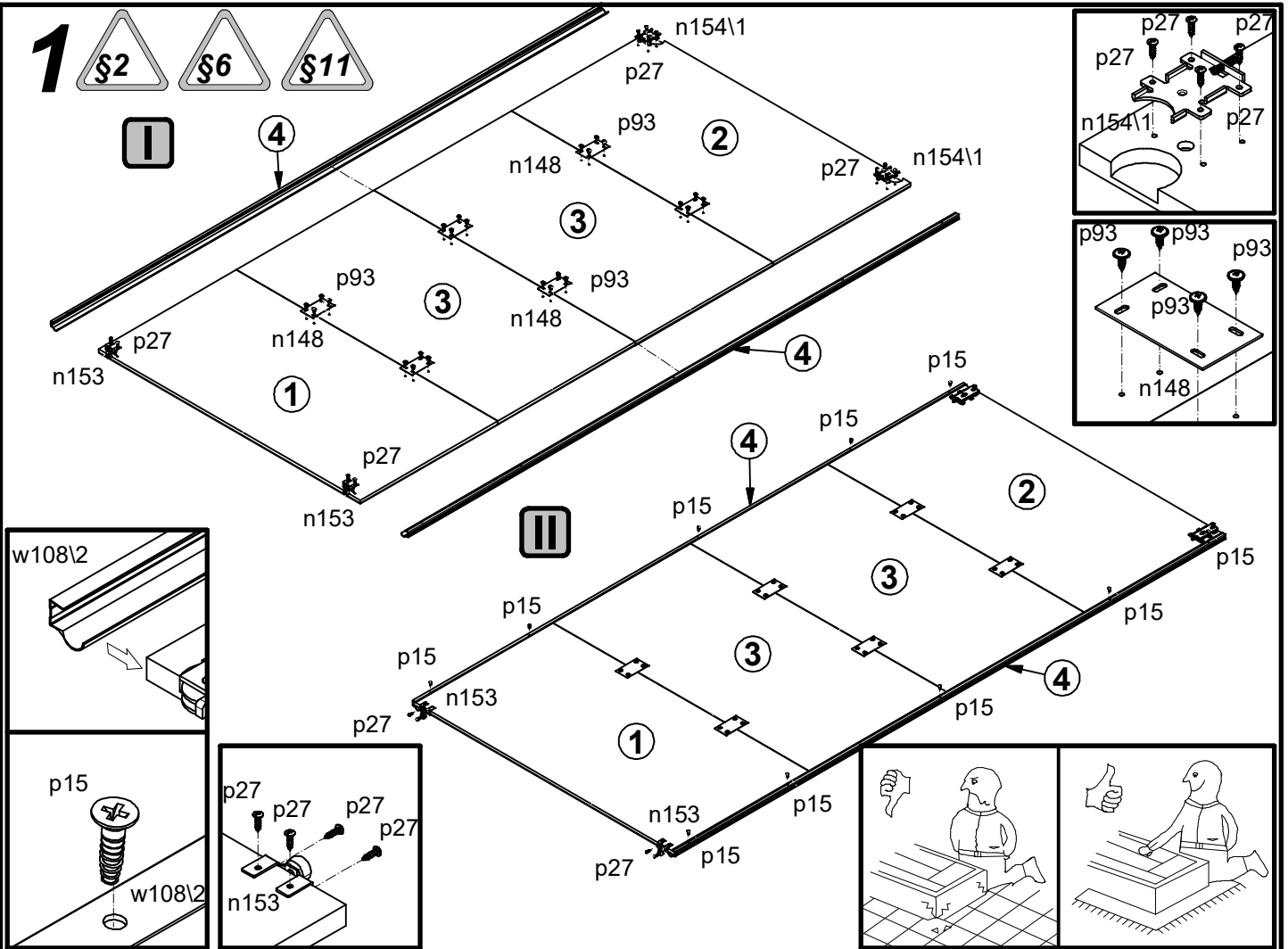


2x		6x		2x		2x		2x	
	M5x8 mm		90x50\1,5 mm		n153		n154\1		n154\2
1x		2x		16x		24x		10x	
	2 mm		i56		Ø3,5x13 mm		Ø4x13 mm		Ø2,5x13 mm



2x	
	2310 mm
2x	
	EG-sp_2310

1 §2 §6 §11



2

