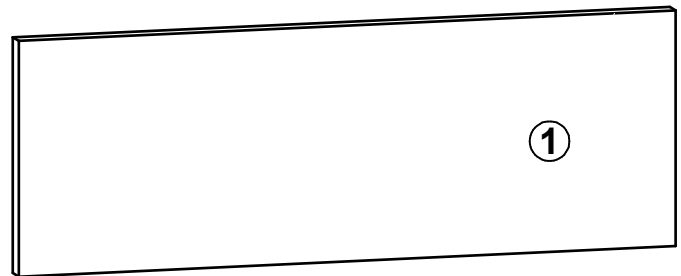
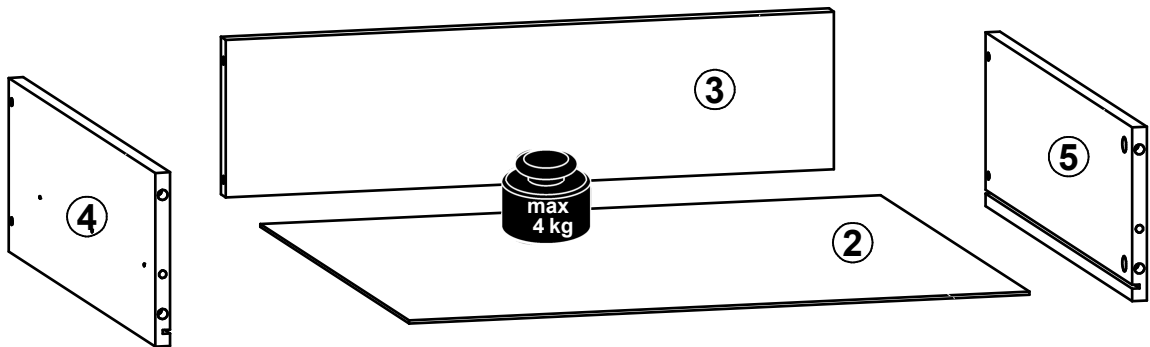
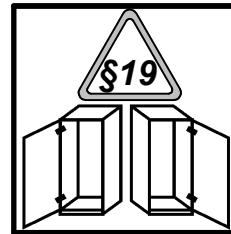
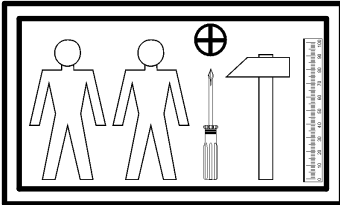
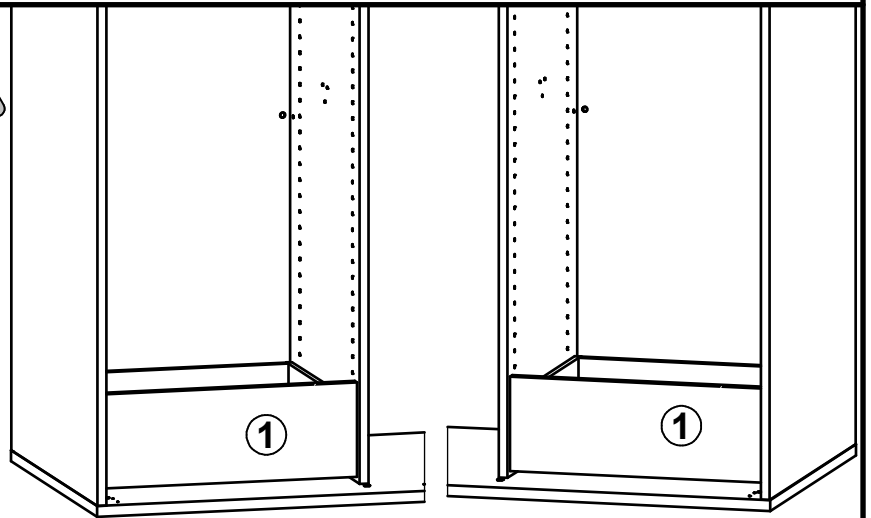


**A**

# FLEX

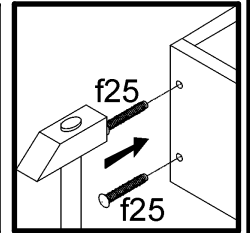
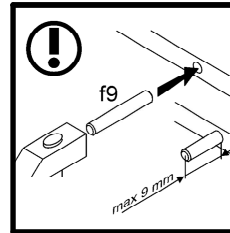
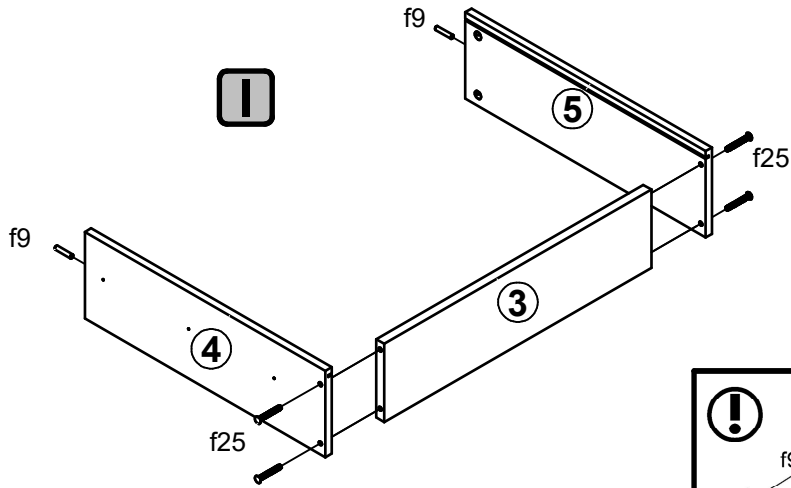
**F57-SZU1S/55/66**

A	B	C	D	
1	F57-0051	540	190	1/1
2	F57-9028	510	457	1/1
3	ZK3-5052	500	127	1/1
4	ZK4-517	450	140	1/1
5	ZK4-518	450	140	1/1

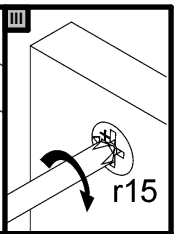
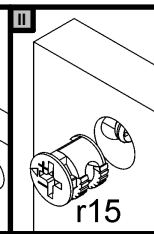
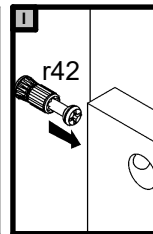
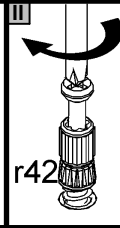
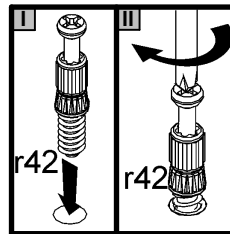
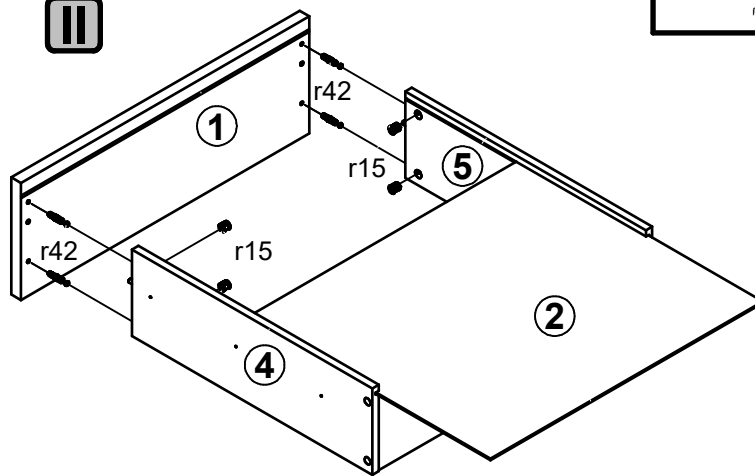


4x Ø6x13 mm <b>e3</b>	4x Ø6.5x40 mm <b>f25</b>	2x Ø6x30 mm <b>f9</b>	6x Ø3.5x12 mm <b>p140</b>	1x Ø3.5x16 mm <b>p25</b>	1x Ø3.5x10 mm <b>p35</b>	4x Ø3.5x16 mm <b>p38</b>	4x Ø12x10.5 mm #12 <b>r15</b>	4x 20/11 <b>r42</b>	
1x 450 mm <b>t38</b>	2x L450 mm <b>w206\2</b>	2x L450 mm <b>w206\1</b>							

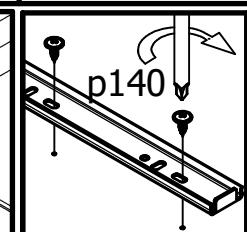
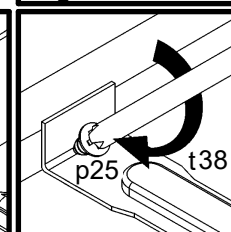
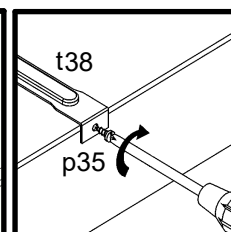
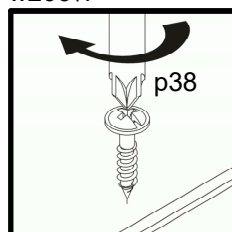
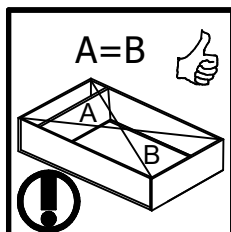
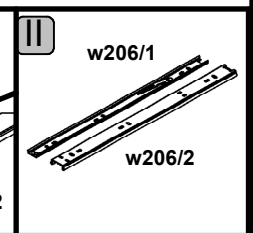
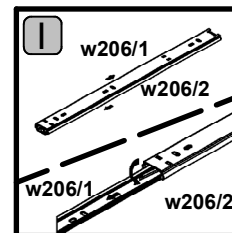
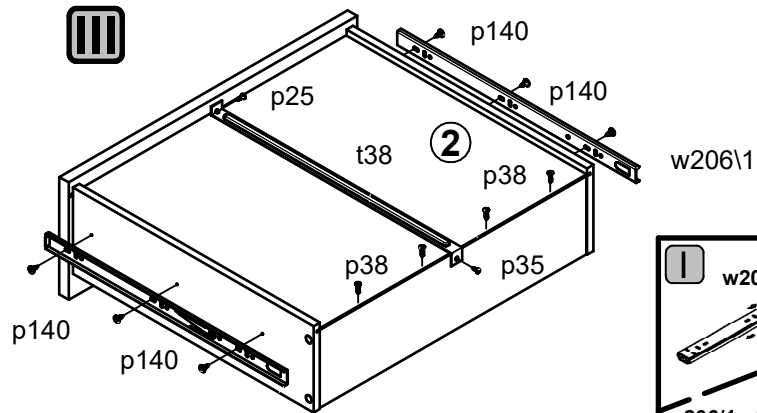
1



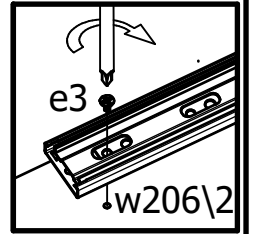
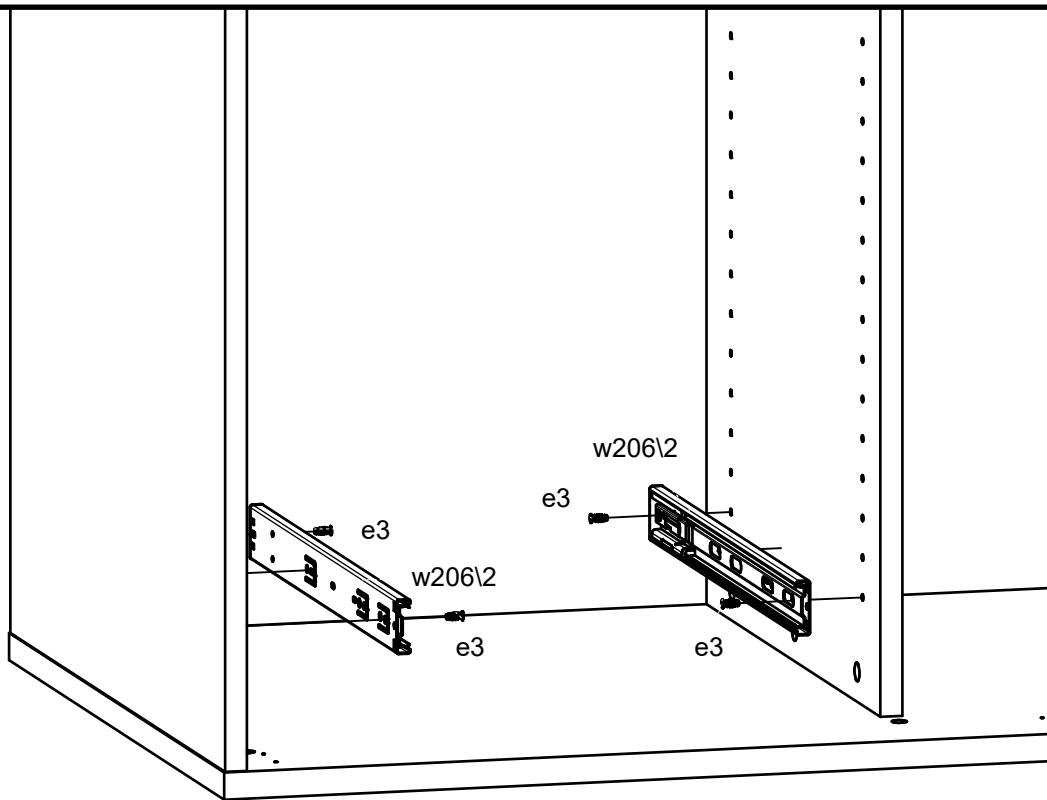
II



III



# 2



# 3

