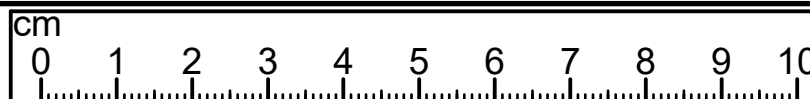


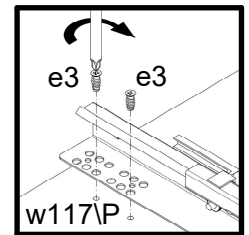
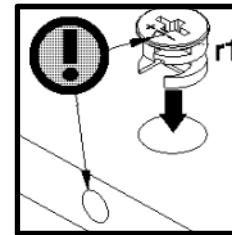
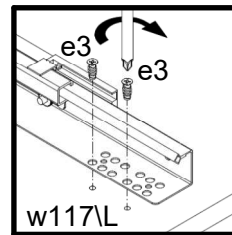
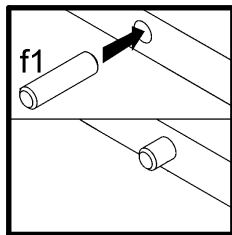
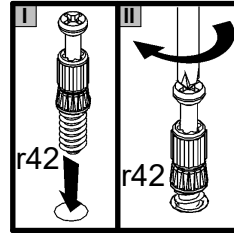
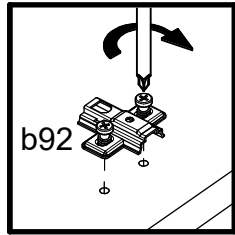
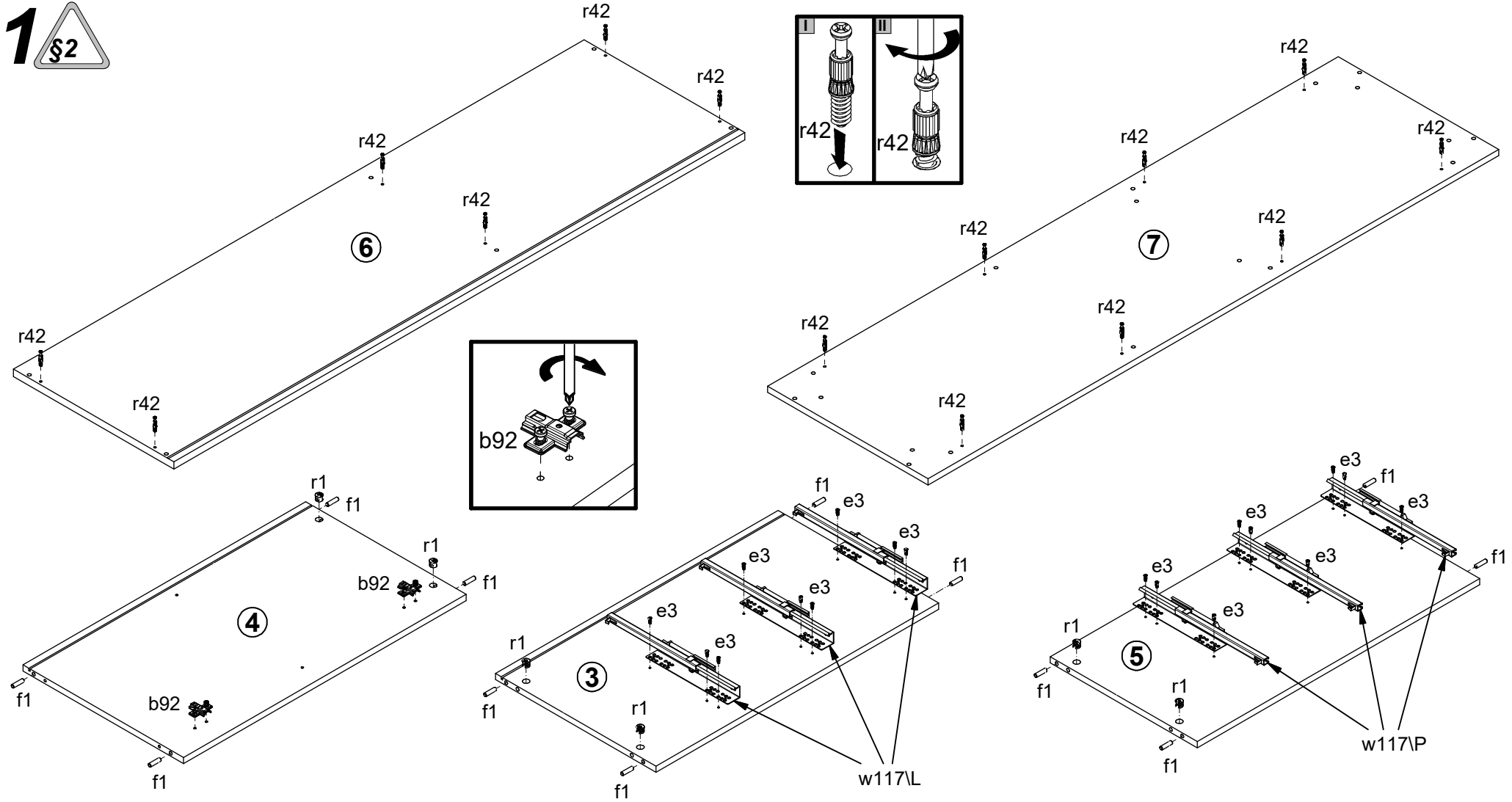
A	B	C (mm)			D
1	L139-0002	946	260	15	3/3
2	L139-0003	786	614	15	1/3
3	L139-1007	792	450	15	1/3
4	L139-1008	792	450	15	1/3
5	L139-1009	792	412	15	1/3
6	L139-2003	1600	450	18	2/3
7	L139-2004	1600	450	15	2/3
8	L139-3002	609	405	15	1/3
9	L139-4011	1520	60	15	2/3
10	L139-4012	1489	60	15	2/3
11	L139-4013	385	60	15	1/3
12	L139-4014	385	60	15	1/3
13	L139-9003	913	357	2,5	3/3
14	L139-9301	802	955	2,5	3/3
15	L139-9302	802	623	2,5	3/3
16	ZQ6-511	350	140	12	3/3
17	ZQ6-512	350	140	12	3/3
18	ZQ6-5381	903	127	15	3/3



D
1/3

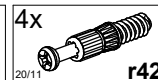
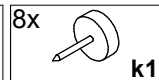
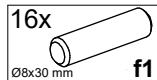
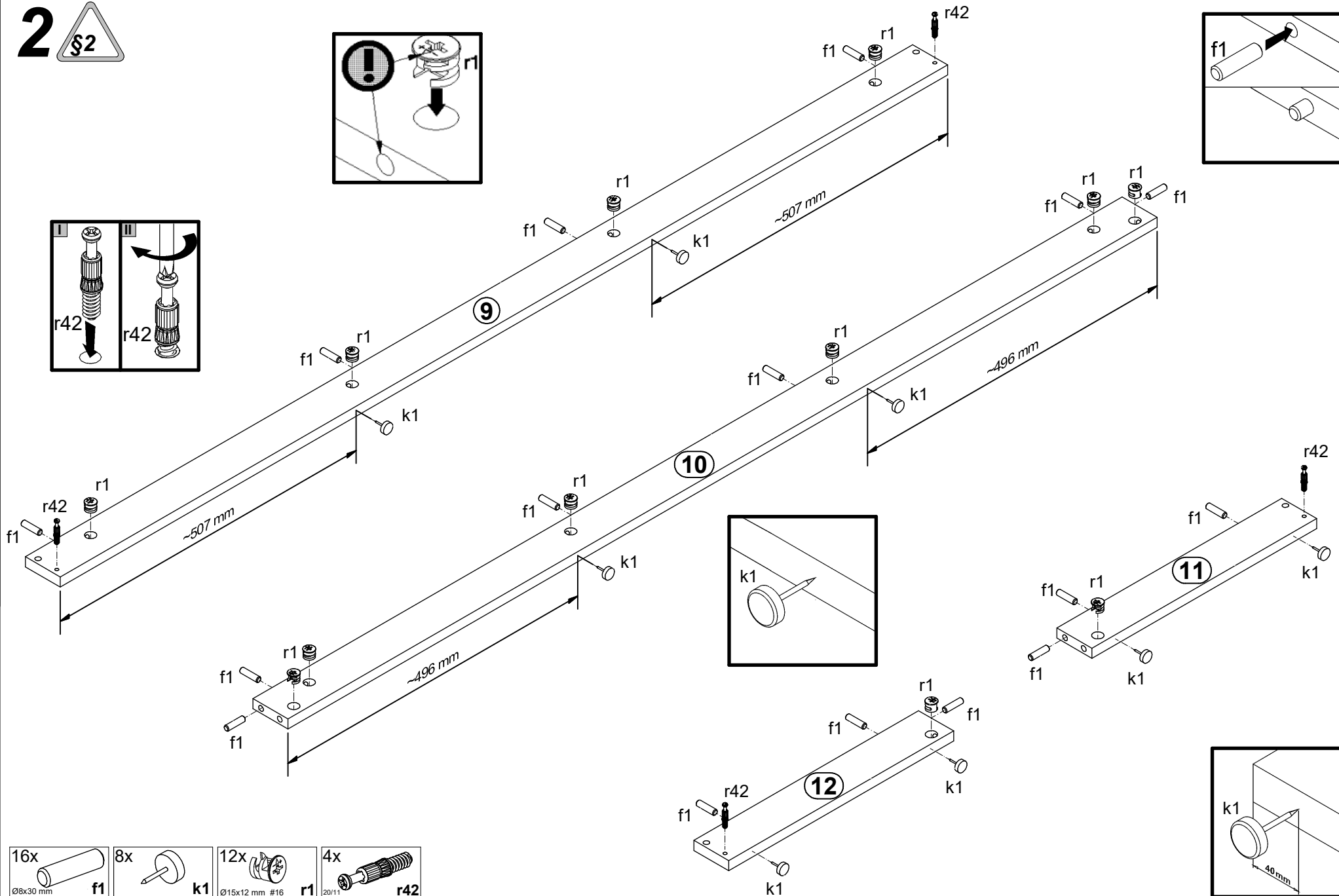
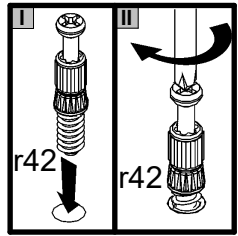
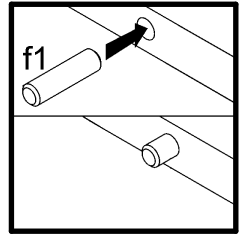
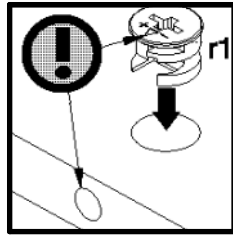
2x a203	2x b92	4x c280	4x d1	6x e1	18x e3	28x f1	12x f25	8x j30	8x k1	10x l2	1x n26	4x n108
1x p38	7x p51	28x p55	3x p140	18x r1	12x r15	30x r42	2x s68	3x t35	3x w117L	3x w117P	1x z1	

1 §2



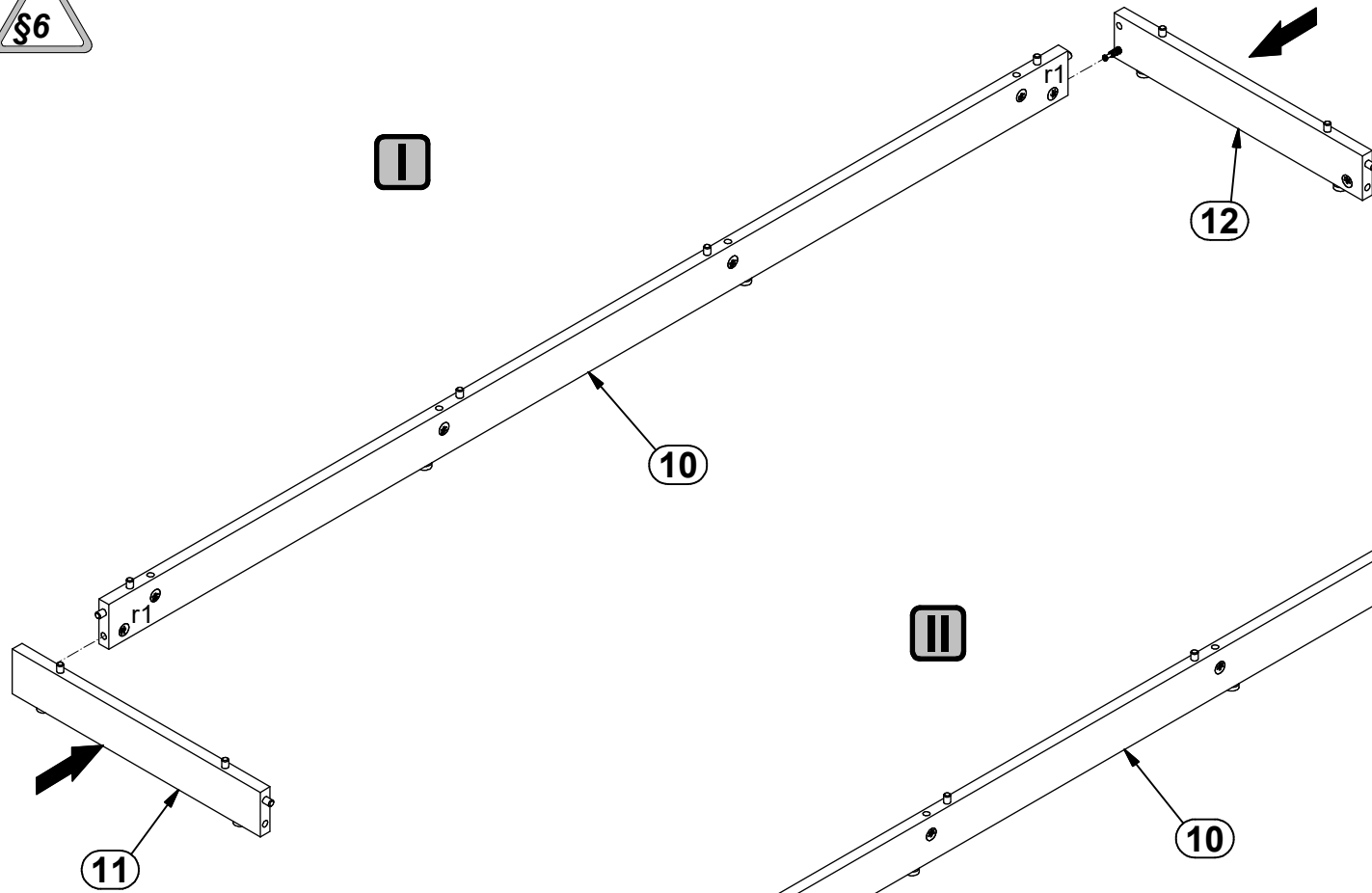
2x b92	18x Ø6x13 mm e3	12x Ø8x30 mm f1	6x Ø15x12 mm #16 r1
14x r42	3x 350 mm w117L	3x 350 mm w117P	

2 

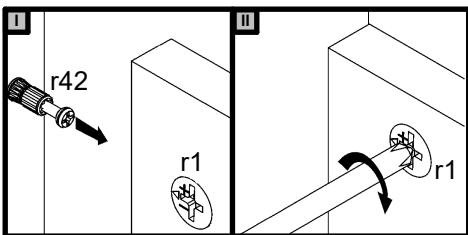
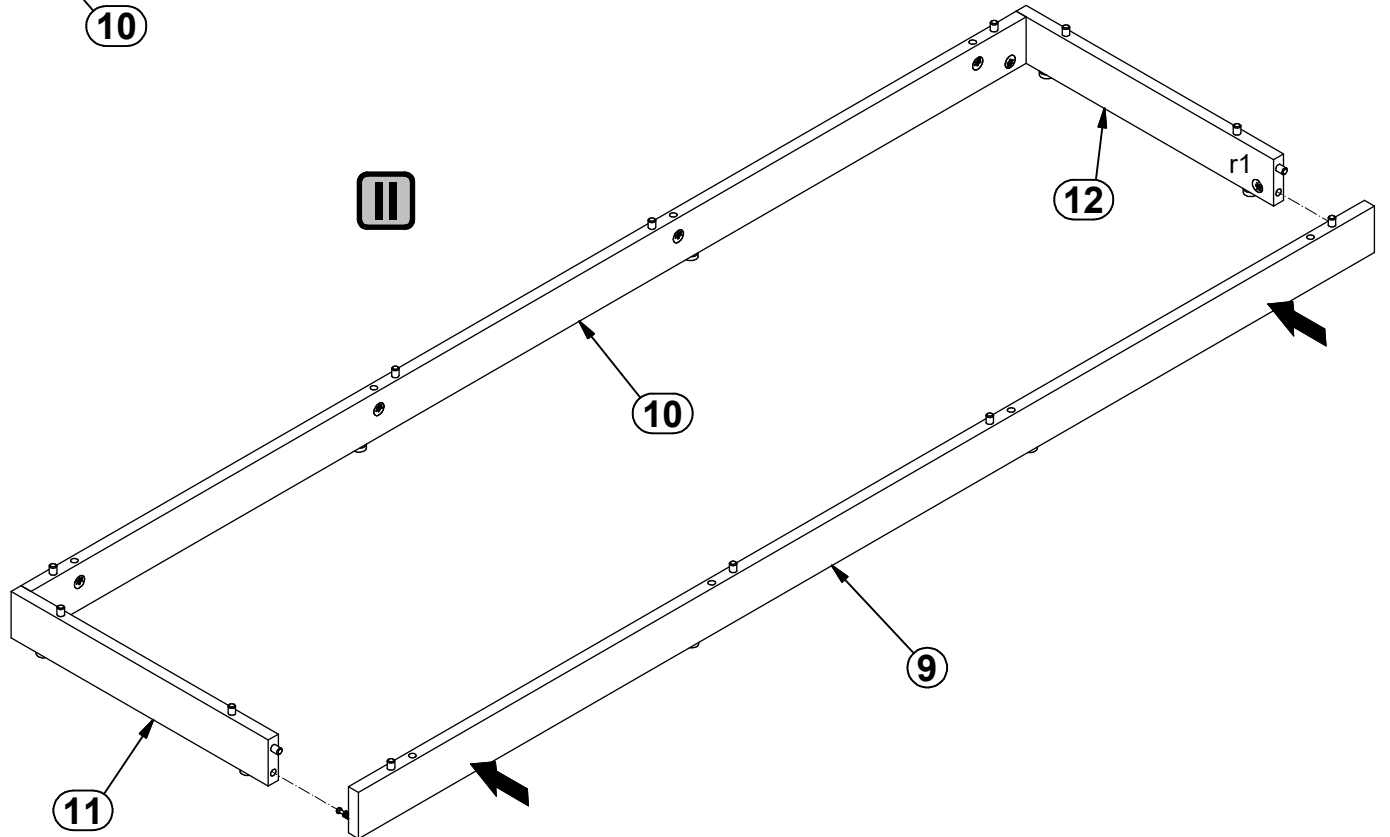


3 §6

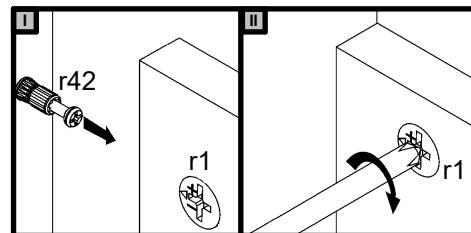
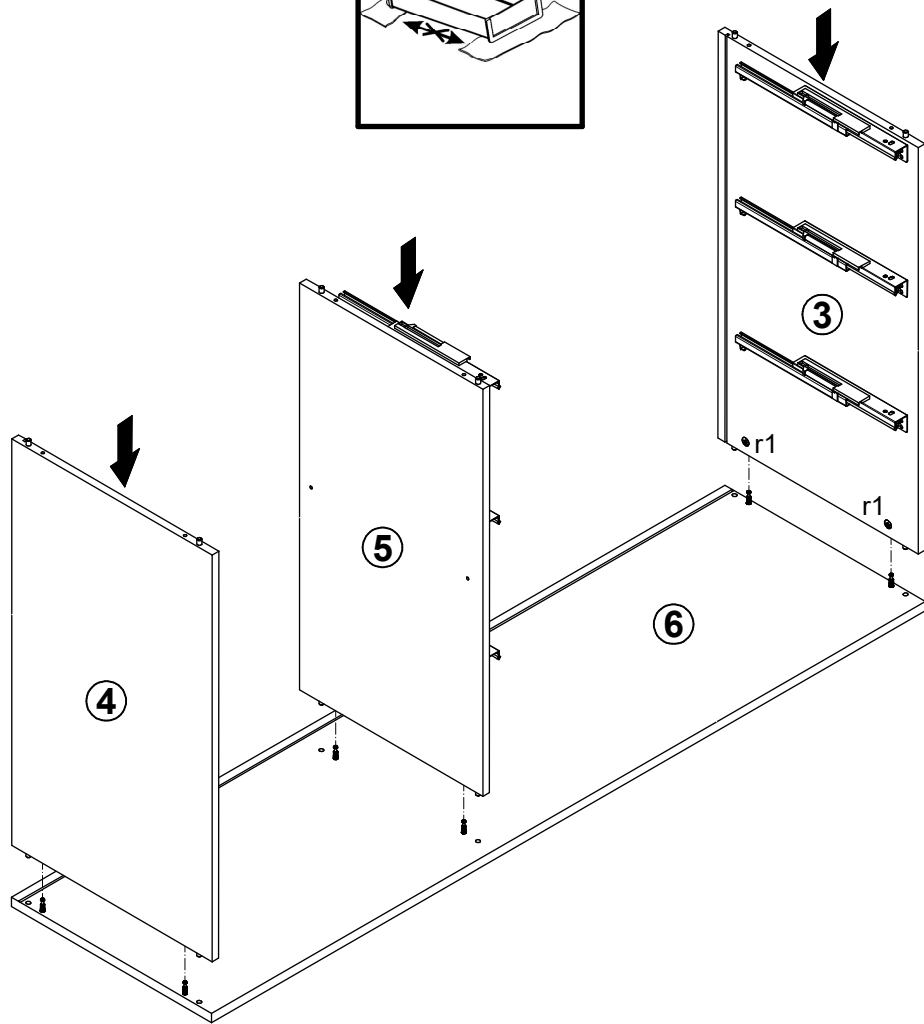
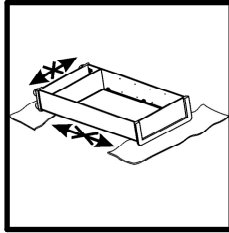
I



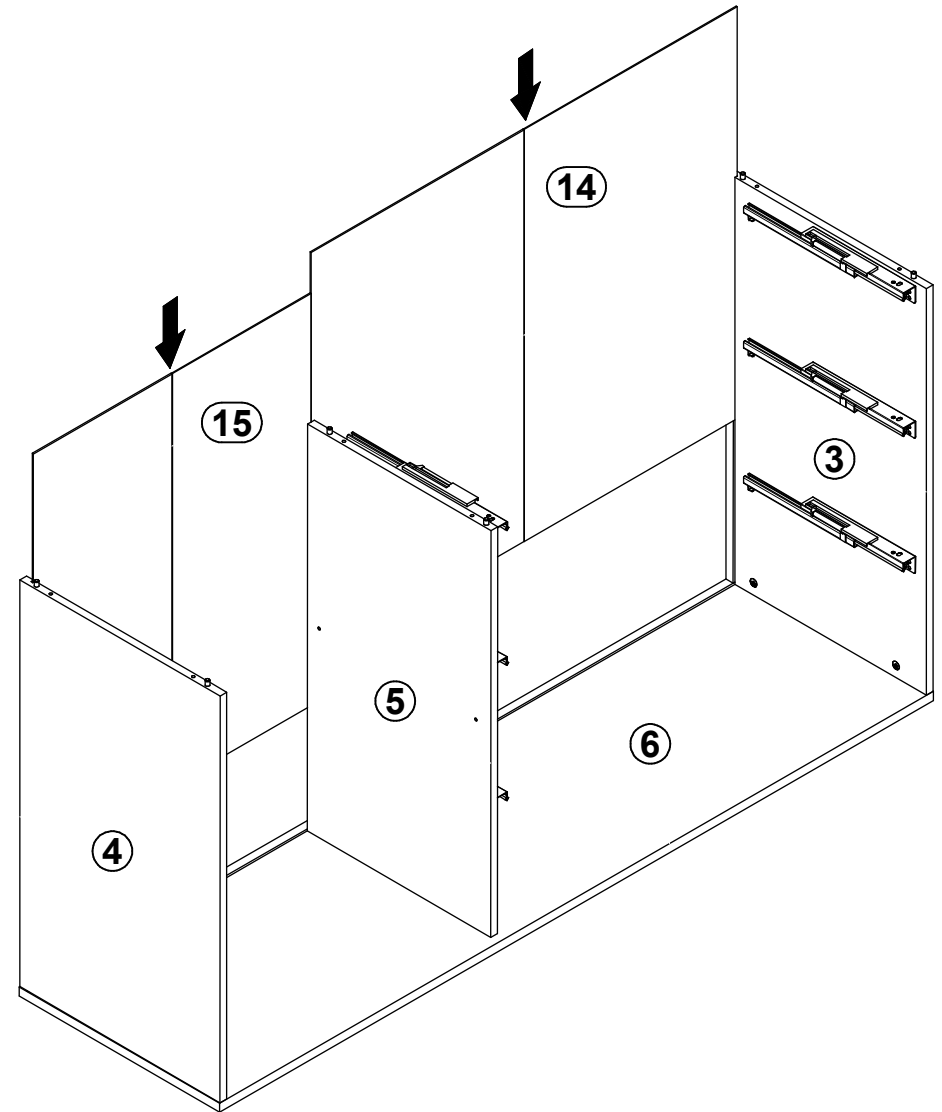
III



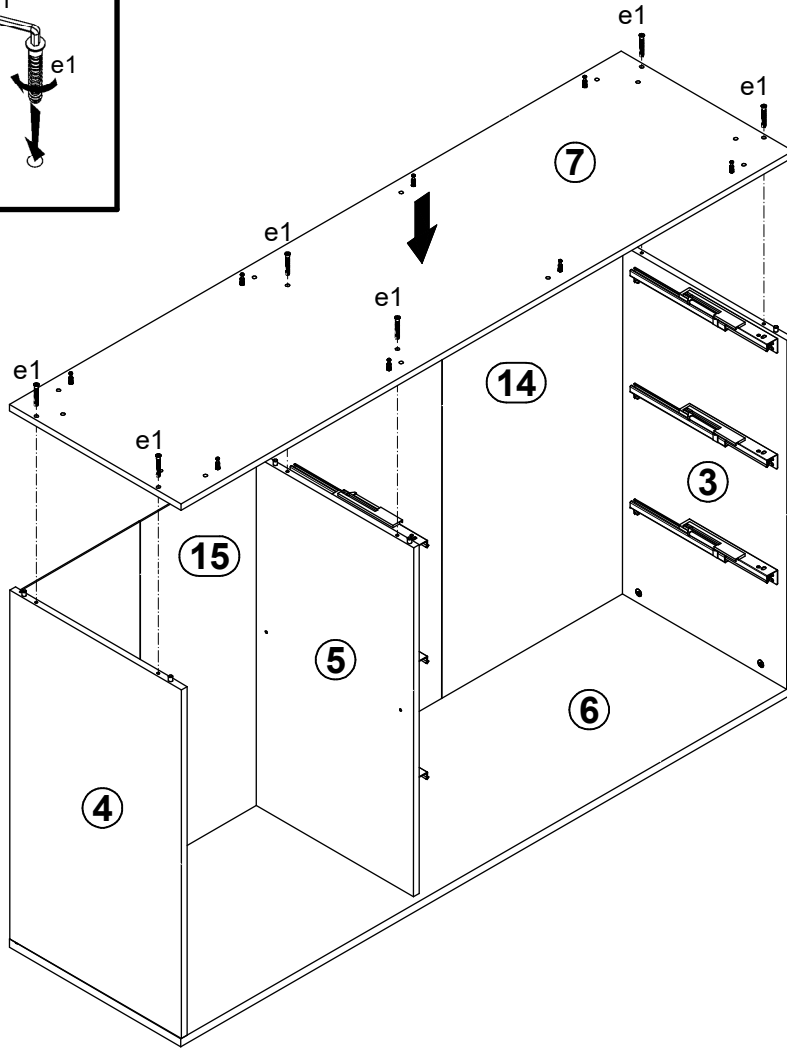
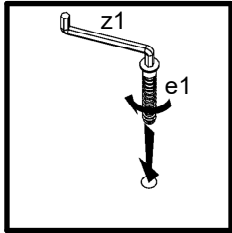
4 §6



5 §6

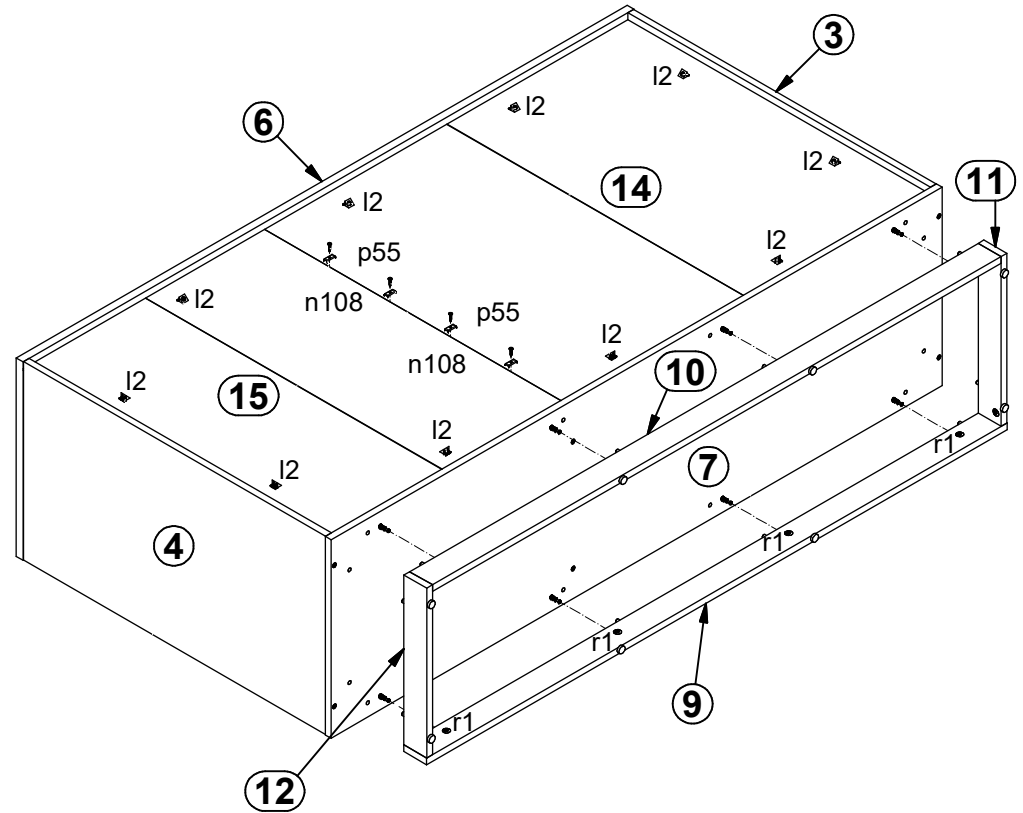
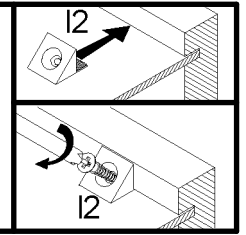
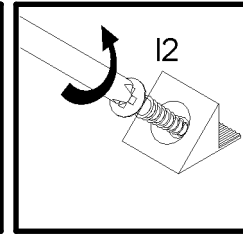
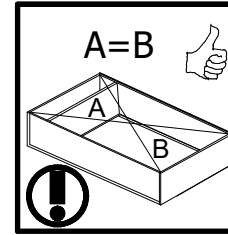


6 §6

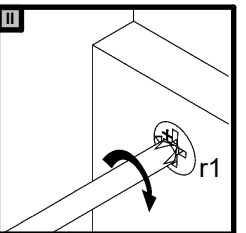
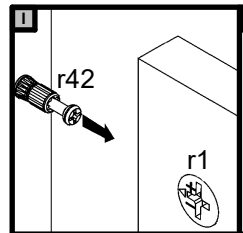
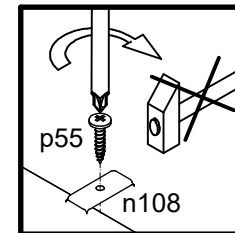


- 6x e1 1x z1

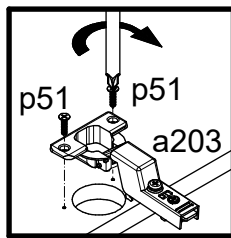
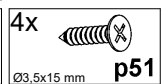
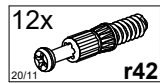
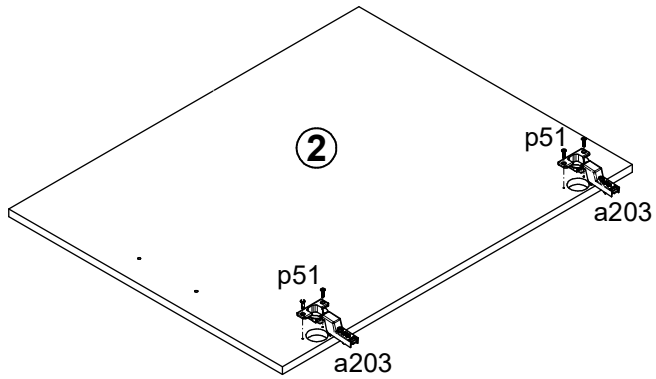
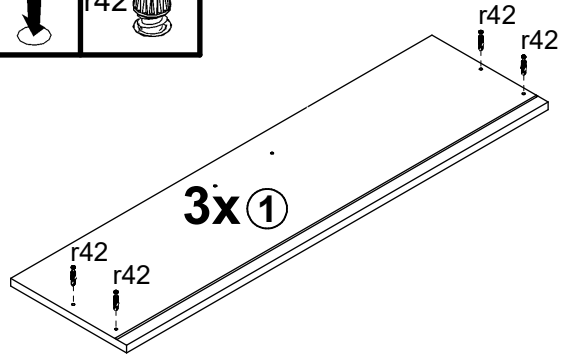
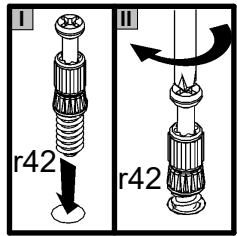
7 §2 §6



- 10x l2
- 4x n108 4x p55

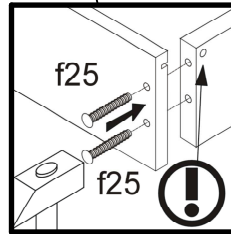
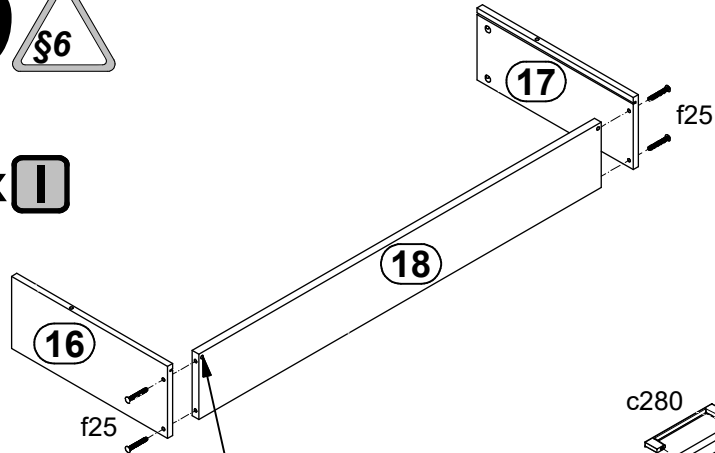


8 §2

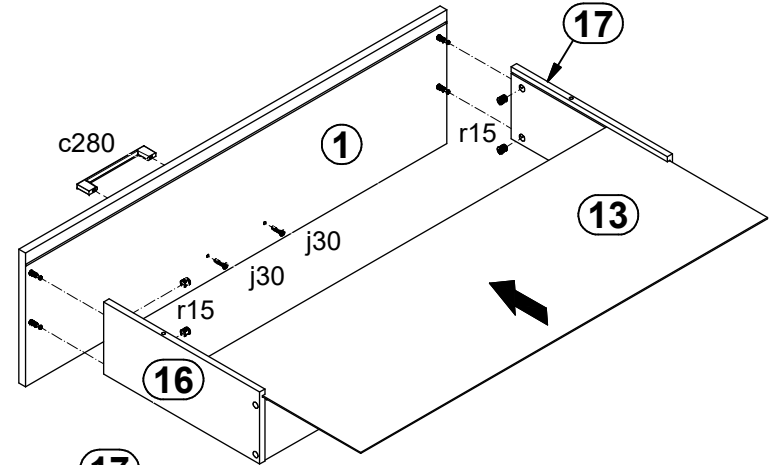


9 §6

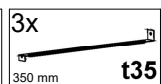
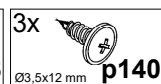
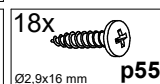
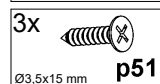
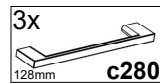
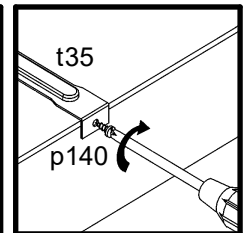
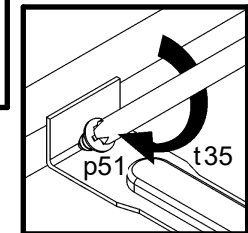
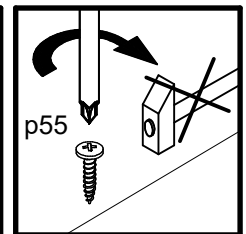
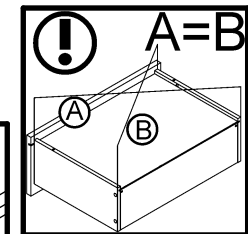
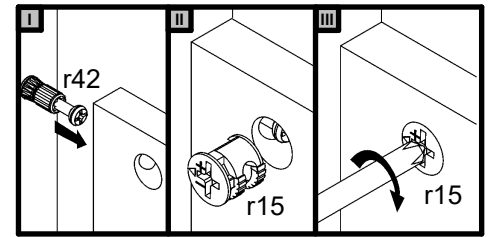
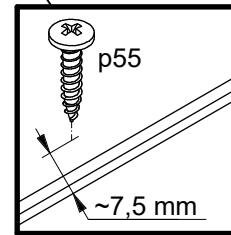
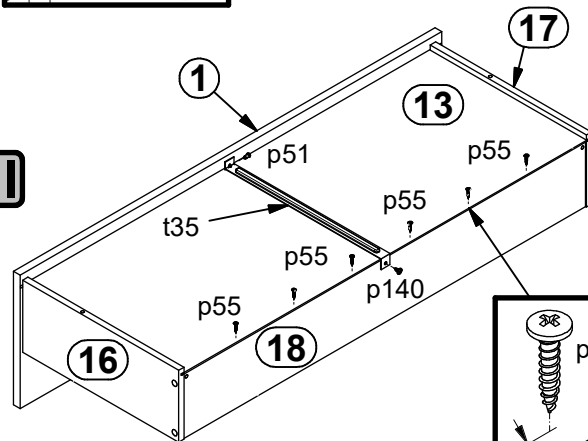
3x I



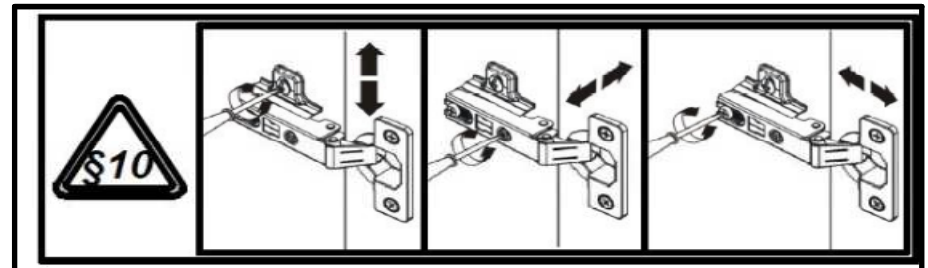
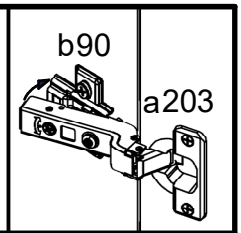
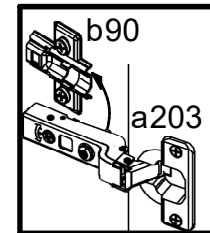
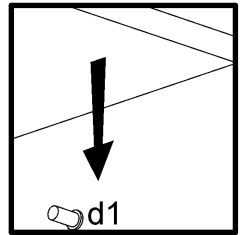
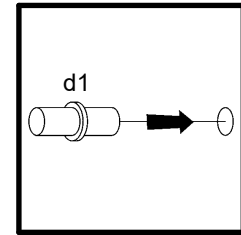
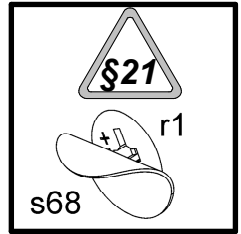
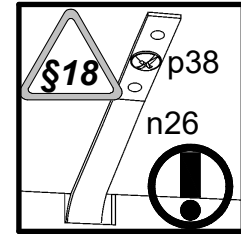
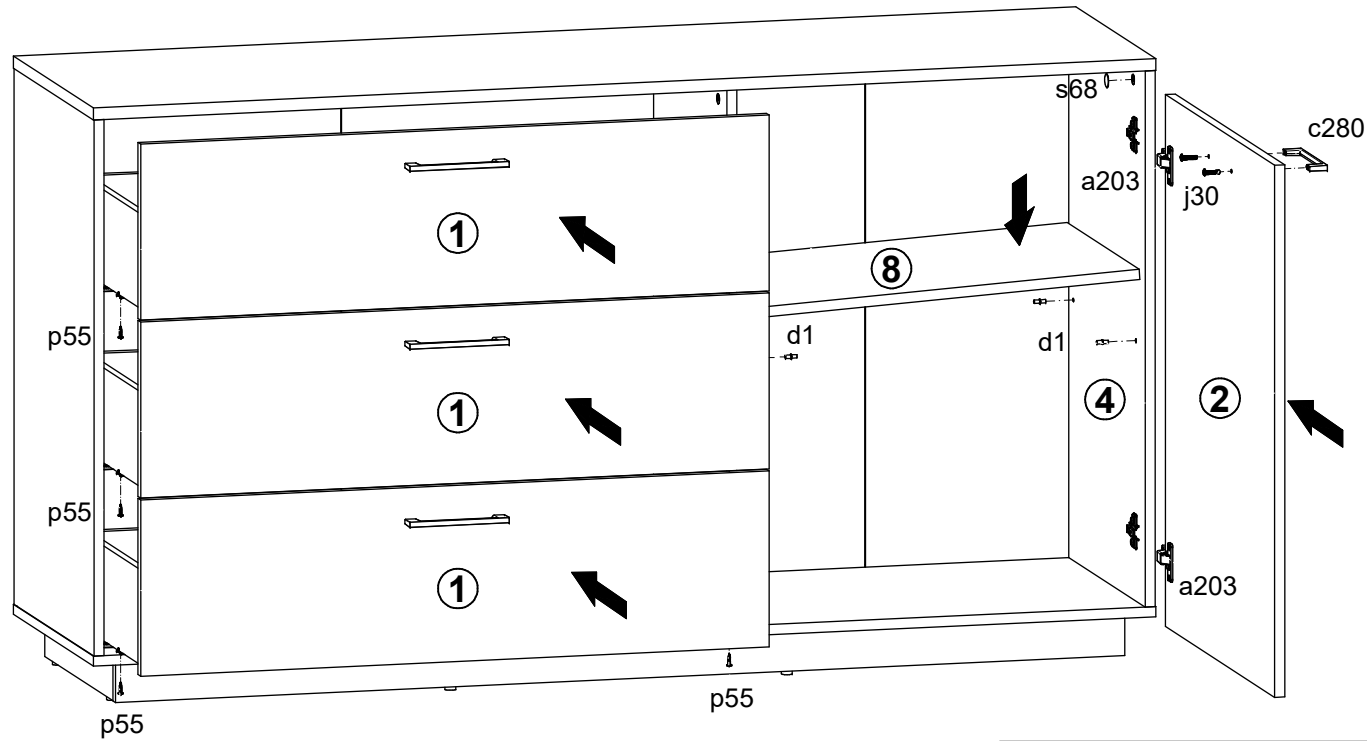
3x II



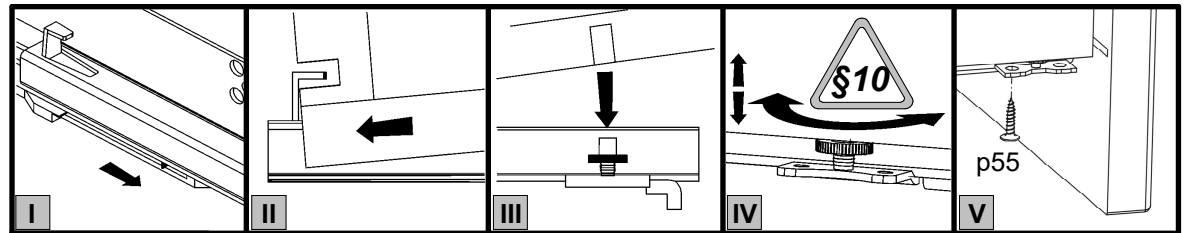
3x III



10



- | | | | |
|--------------------------------|--------------------------------|------------------------------|------------------|
| 1x
128mm
c280 | 4x
Ø5x17 mm
d1 | 2x
M4x22 mm
j30 | 1x
n26 |
| 1x
Ø3,5x16 mm
p38 | 6x
Ø2,9x16 mm
p55 | 2x
Ø 20mm
s68 | |



11

