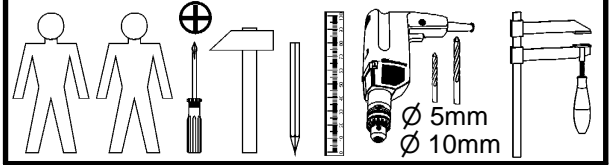
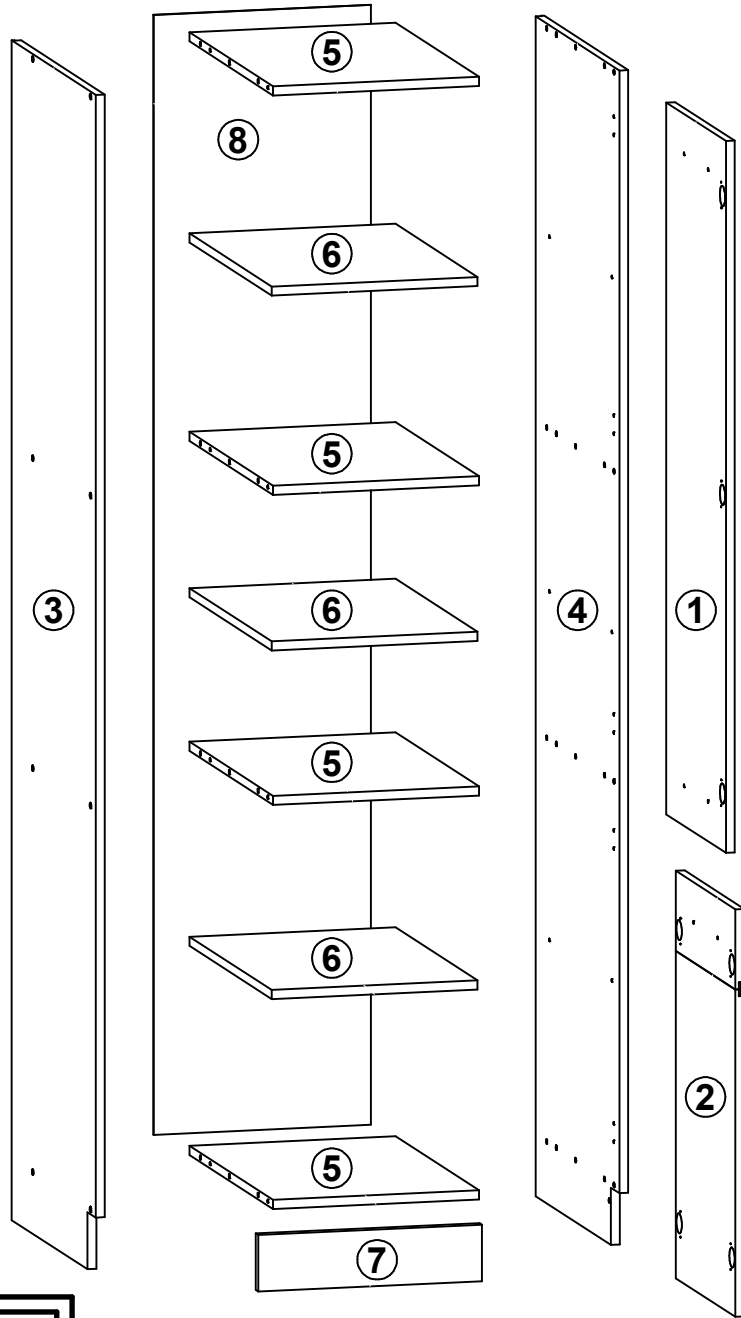
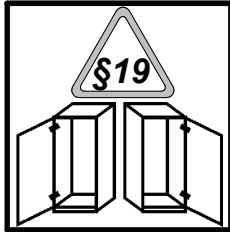
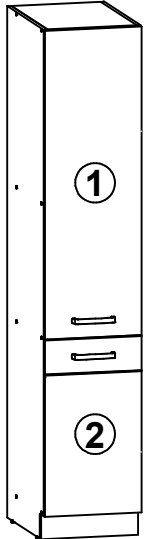
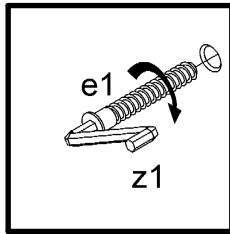
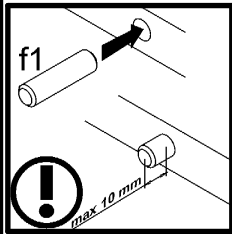
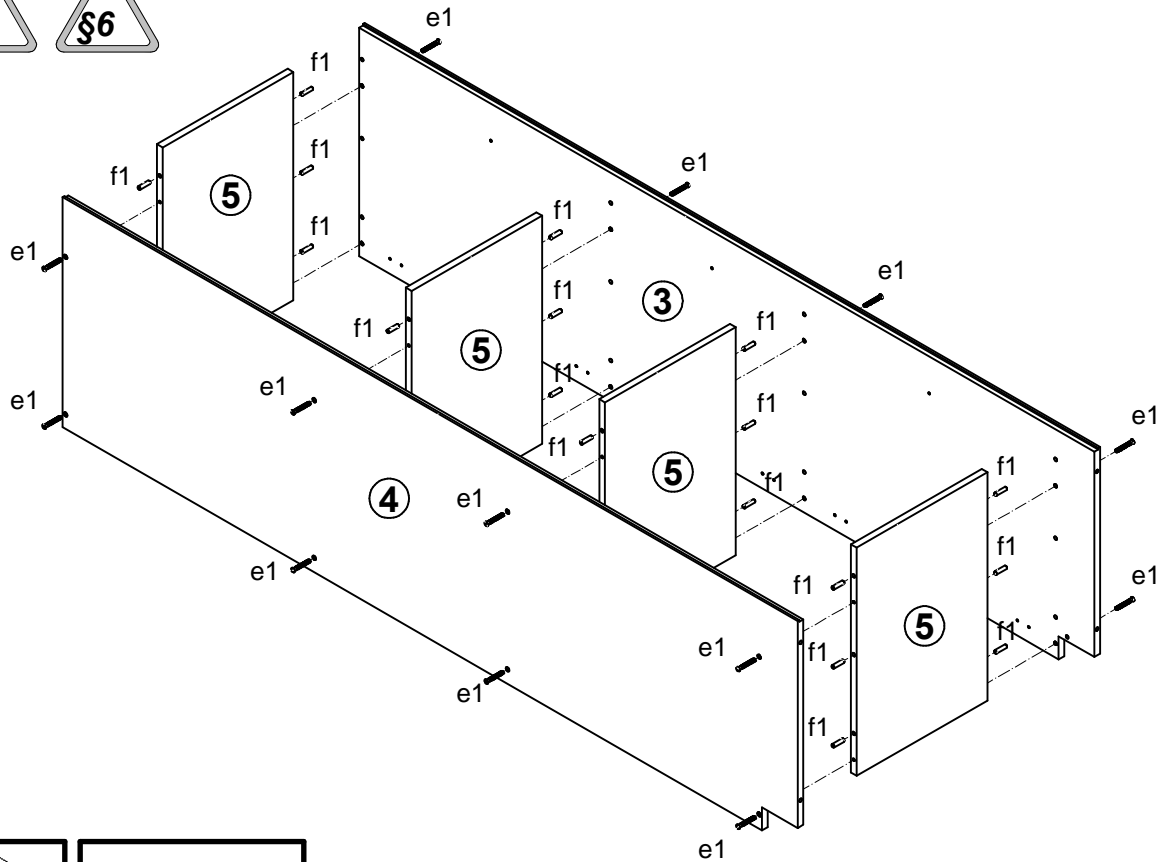


A	B	C	D	
1	K30-0006	396	1246	2/3
2	K30-0007	713	396	3/3
3	K30-1013	2065	560	1/3
4	K30-1014	2065	560	1/3
5	K30-3024	367	556	1/3
6	K30-3025	367	546	1/3
7	K30-4007	399	99	1/3
8	K30-9011	1960	387	1/3

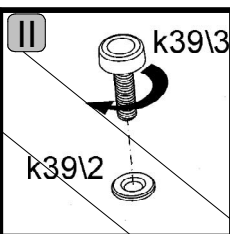
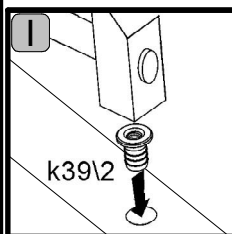
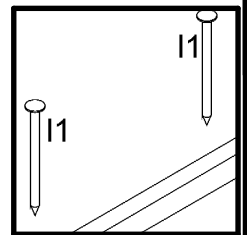
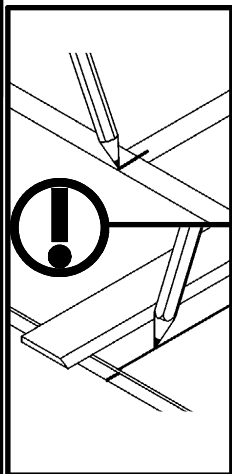
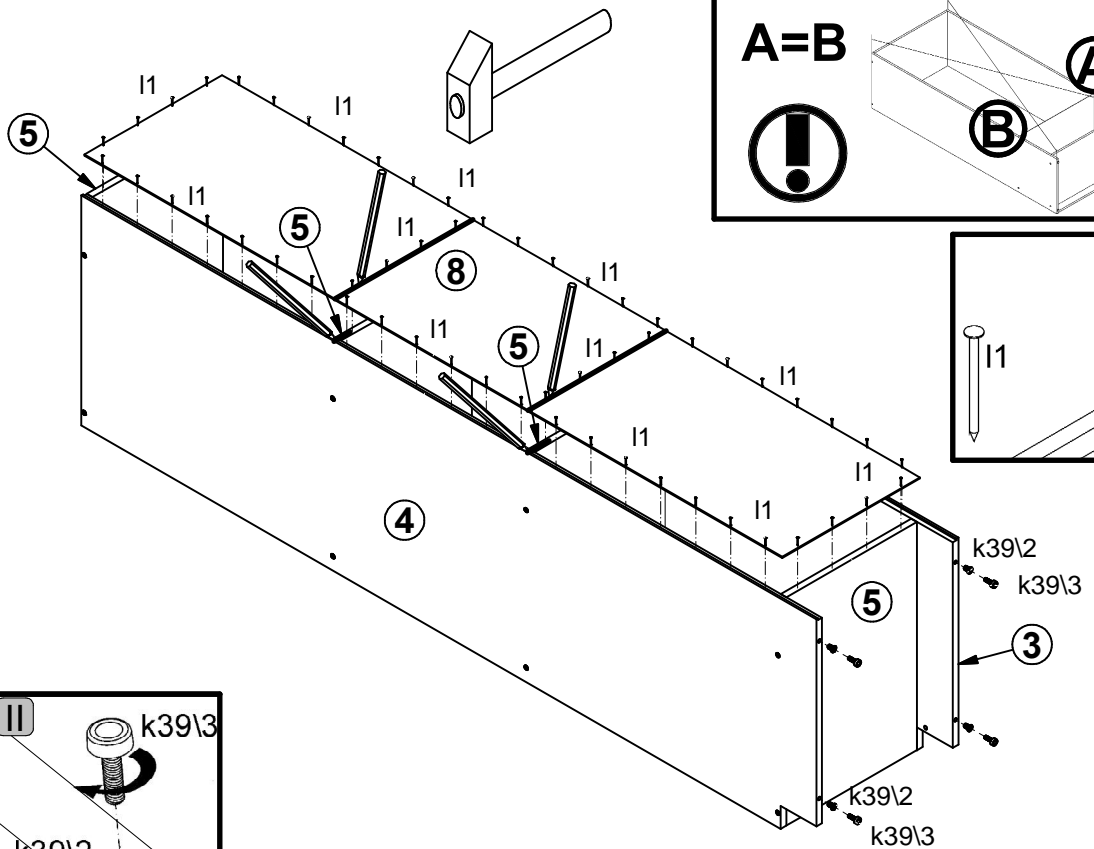


5x a83	5x b32	2x c448 160mm	12x d1 Ø5x17 mm	16x e1 Ø7x50 mm	26x f1 Ø8x30 mm	1x f35 Ø10x50 mm	4x k39\2 M6/Ø14x14 mm	4x k39\3 M6/22 mm
60x l1	2x l37	1x n14\2 86x21x151,5	1x p17 Ø5x60 mm	2x p38 Ø3,5x16 mm	10x p51 Ø3,5x15 mm	4x p60 Ø4x22 mm	2x s71 Ø35x62x40x10	
				16x s1	1x z1 4 mm	4x j45\1 M4x12 mm	2x j45\2	

1

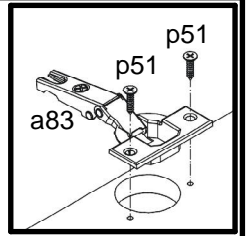
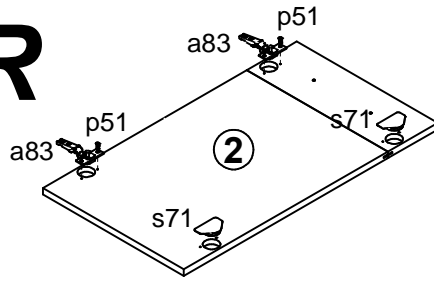


2

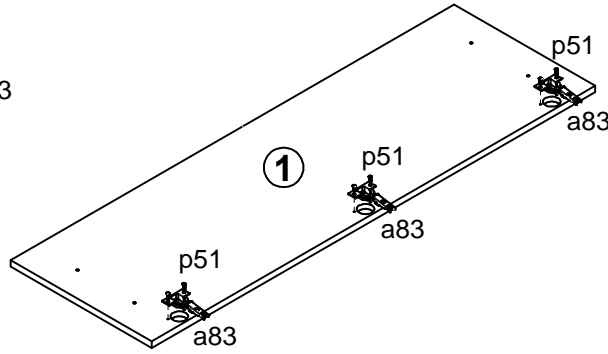
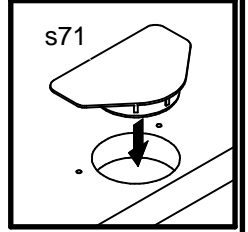
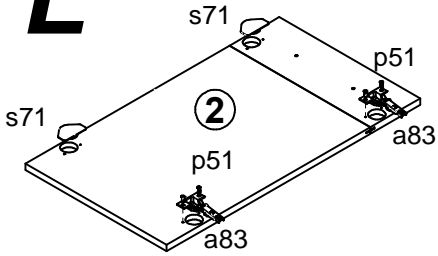


3

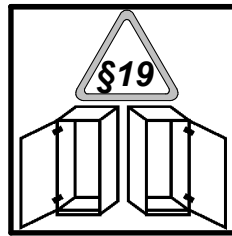
R



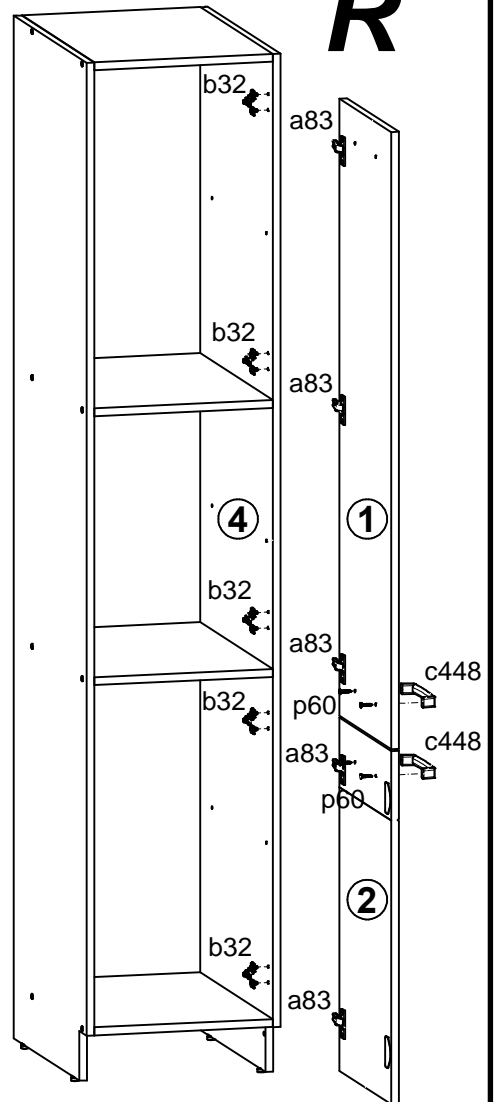
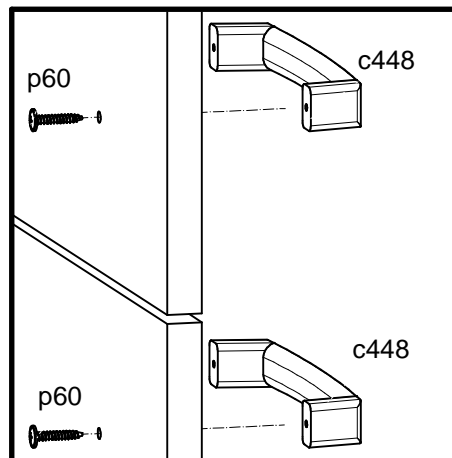
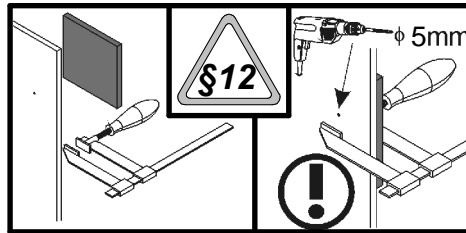
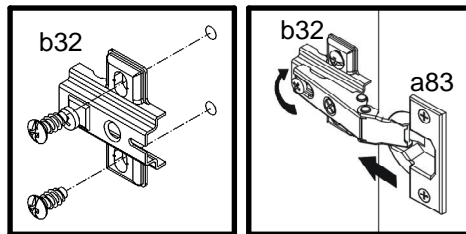
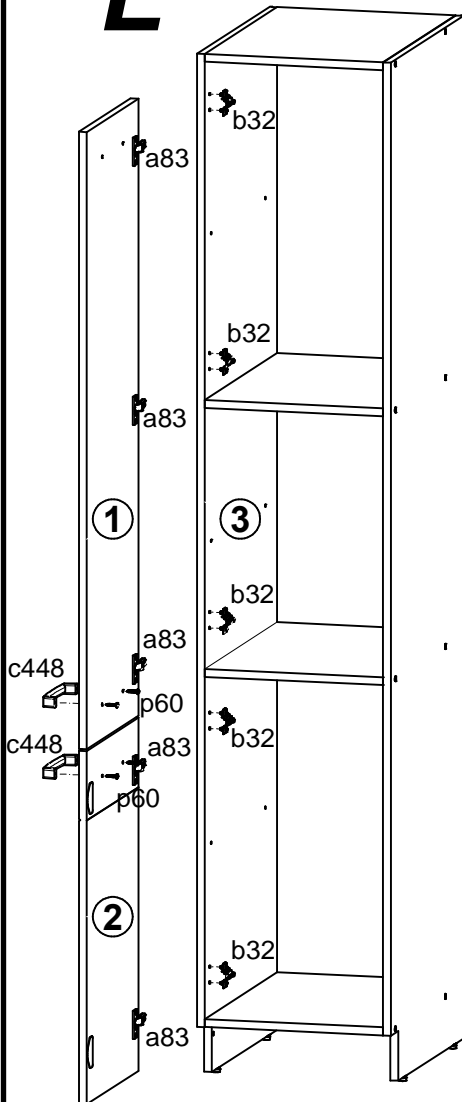
L



L



R



4

