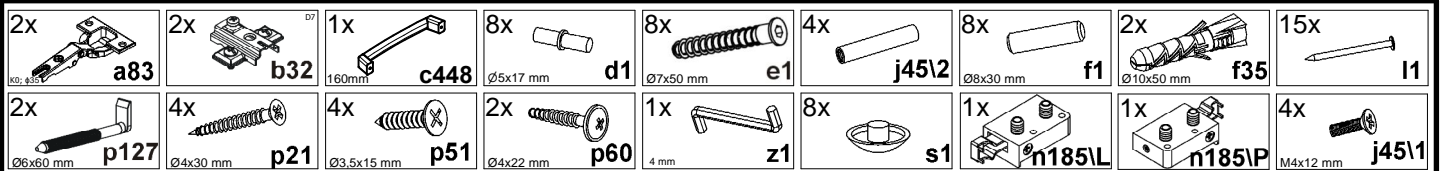
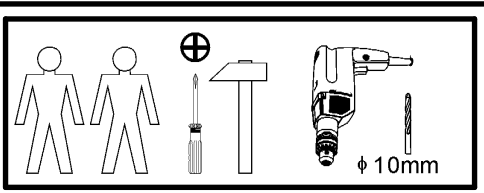
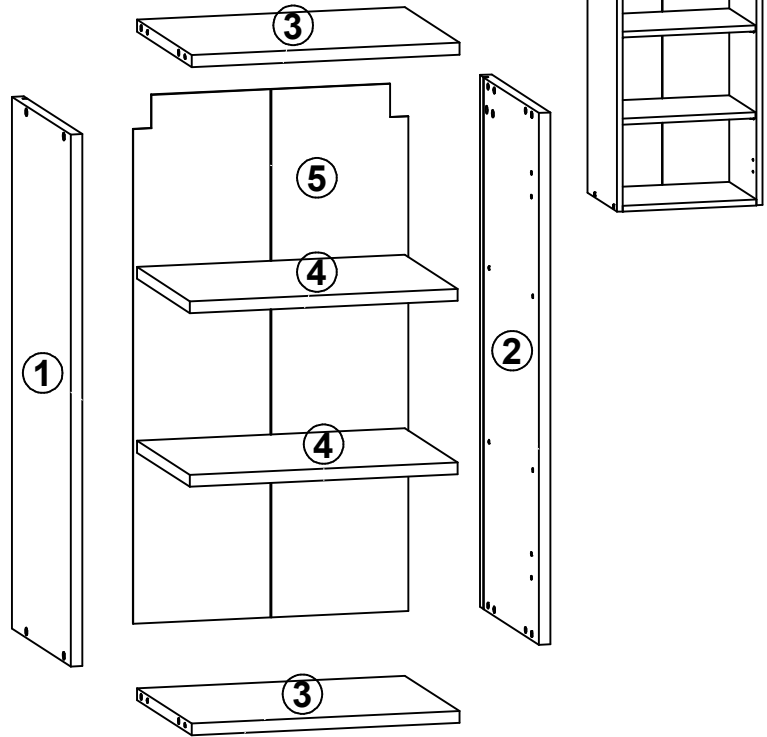


# SEMI LINE

# K30-G-40/72

A	B	C	D	
1	K30-1001	716	300	1/2
2	K30-1002	716	300	1/2
3	K30-3001	367	280	1/2
4	K30-3002	367	270	1/2
5	K30-9001	711	377	1/2



## 1 §2

