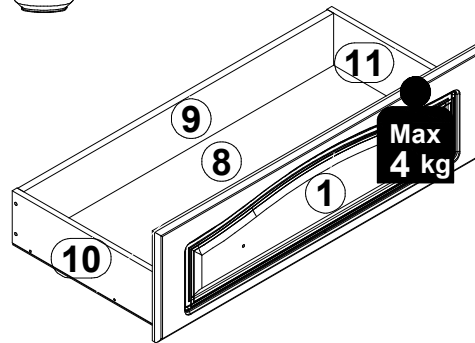
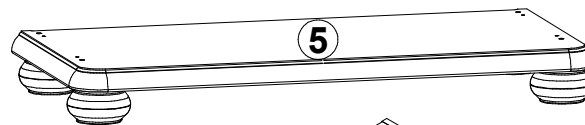
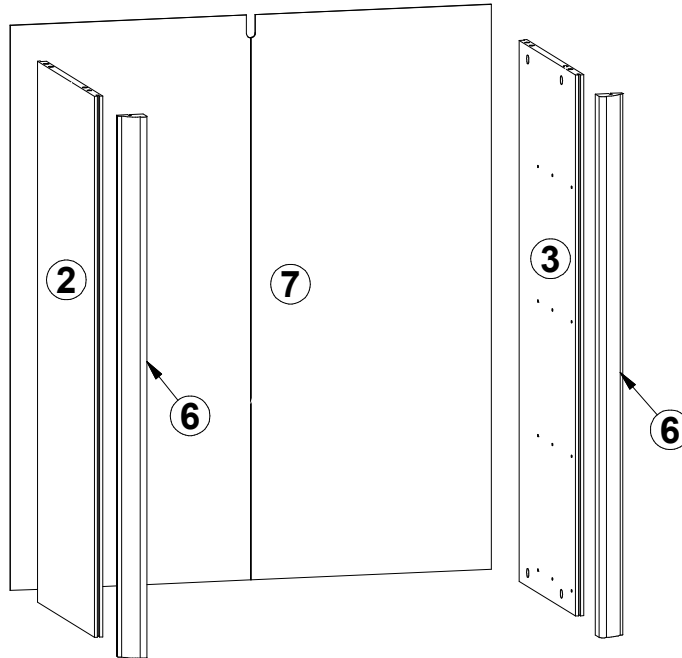
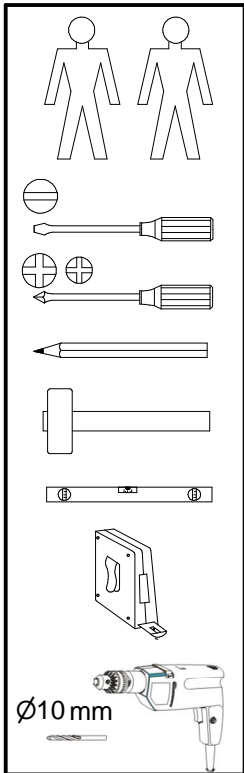
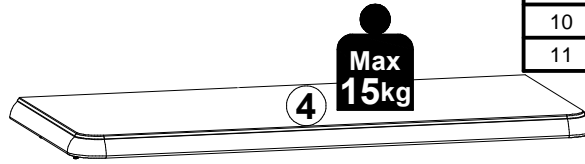


1	S41-0001	232	796	3/5
2	S41-1001	945	379,	1/5
3	S41-1002	945	379,	1/5
4	S41-2001	935	436	2/5
5	S41-2002	935	436	2/5
6	S41-5001	945	47	4/5
7	S41-9301	987,	857,	1/5
8	WSP-9301	776	358	1/5
9	ZS7-5043	754	110	1/5
10	ZS7-521	350	110	1/5
11	ZS7-522	350	110	1/5



8x c69	24x e16 φ6x30 mm	16x e19 φ5x9 mm	8x f1 φ8x30 mm	6x f11 46x18x4 mm	16x f25 φ6.5x40 mm	4x f27 φ10x40 mm	8x j8 M4x25 mm	4x k47 φ110x58/62 mm
40x l1	4x p25 φ3.5x16 mm	8x r1 φ15x12mm #16	16x r15 φ12x10.5mm #12	24x r42 20x11	4x t35 350 mm	24x w36 h=18 mm	4x w45 ^{CL} 350 mm	4x w45 ^{CR} 350 mm
4x w45 ^{DL} 350 mm	4x w45 ^{DR} 350 mm	1x y12 GLUE	1x z1	4x p35 Ø3.5x10 mm	1x p17 Ø5x60 mm	1x n14/2 88x21x15/1.5	1x f35 Ø10x50 mm	2x p38 Ø3.5x16 mm
8x f9 Ø6x30 mm								



