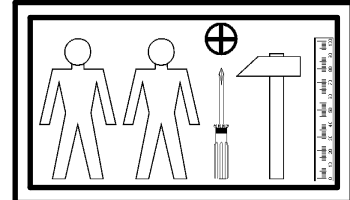
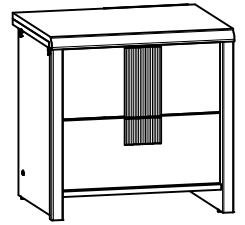
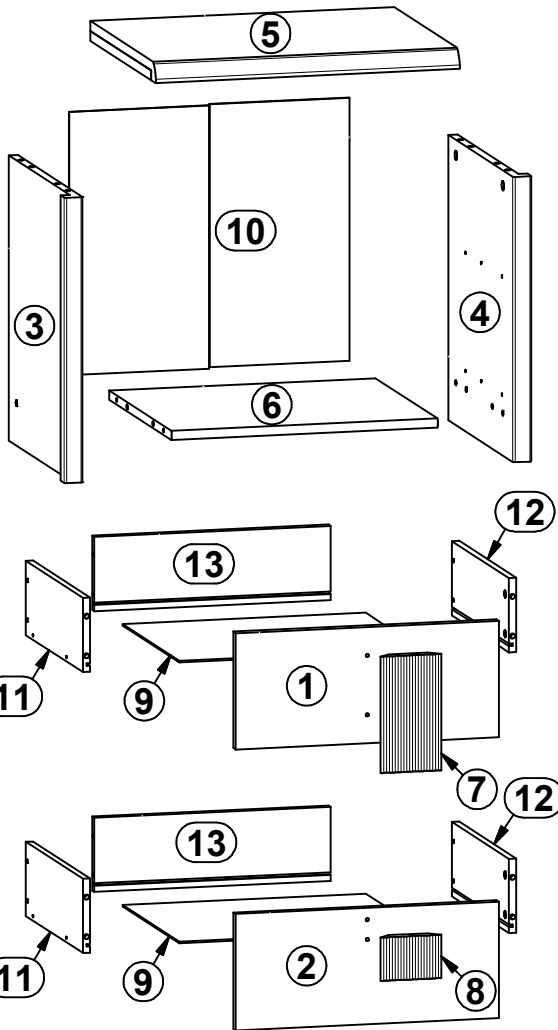
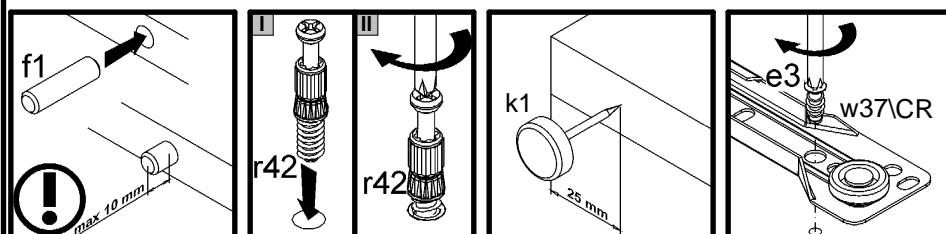
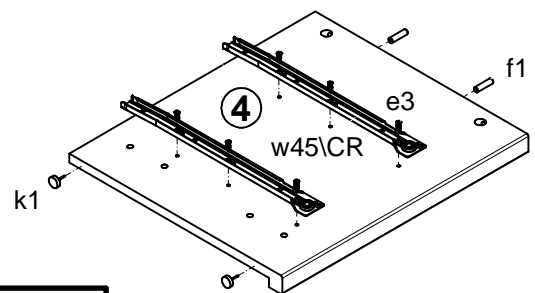
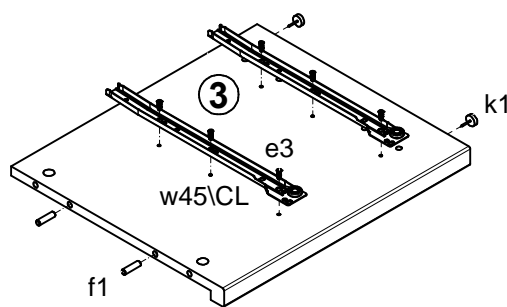
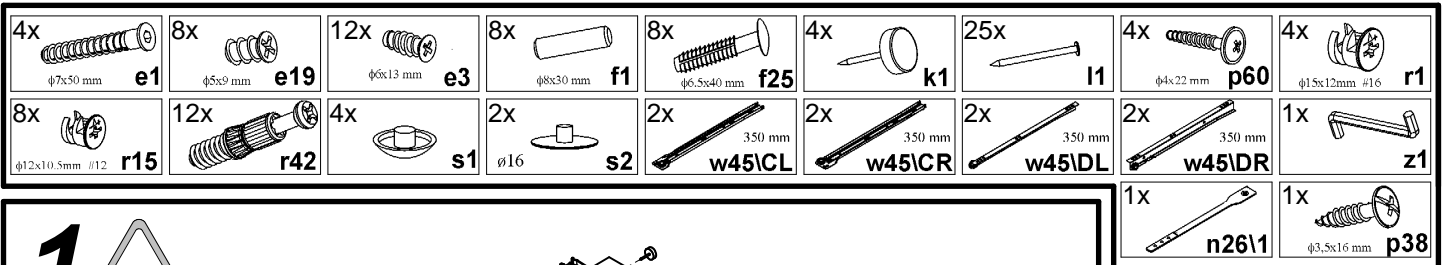


# CAPS

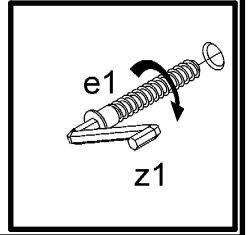
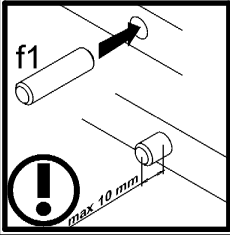
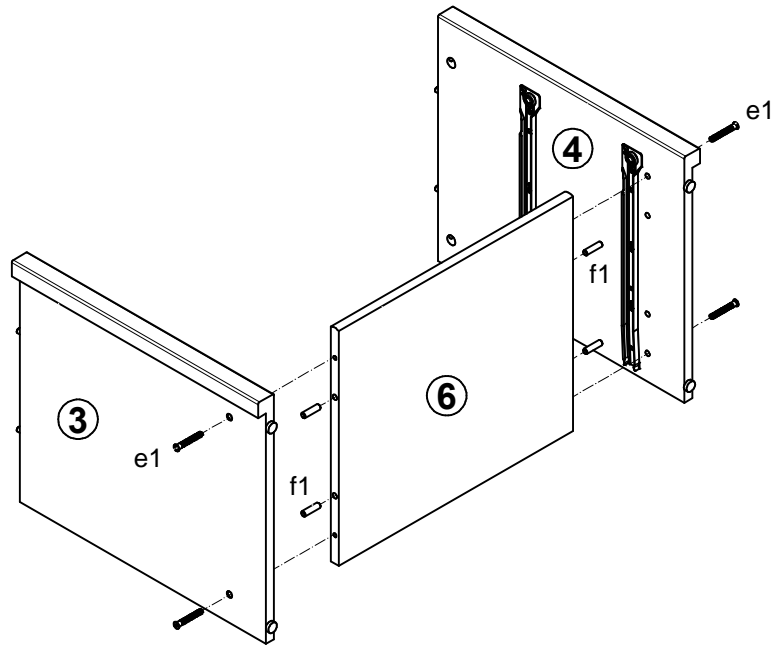
# S153-KOM2S



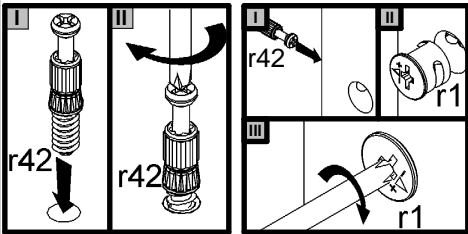
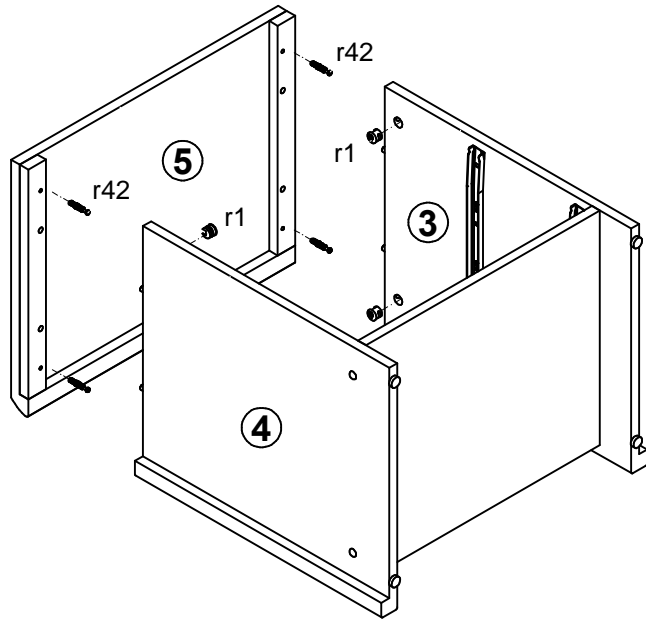
A	B	C	D	
1	S153-003	433	188	1/2
2	S153-004	433	188	1/2
3	S153-105	461	399	1/2
4	S153-106	461	399	1/2
5	S153-202	500	403	1/2
6	S153-302	438	383	1/2
7	S153-571	188	100	2/2
8	S153-572	70	100	2/2
9	S153-904	400	348	1/2
10	S153-906	425	461	1/2
11	ZS2-511	350	120	1/2
12	ZS2-512	350	120	1/2
13	ZS2-5582	389	120	1/2



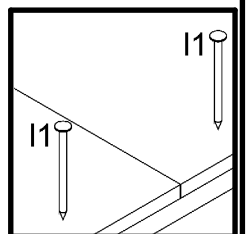
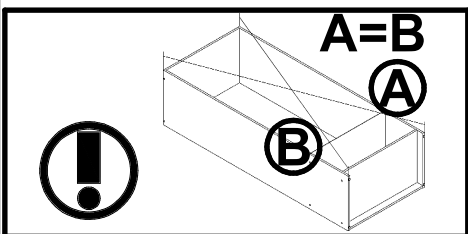
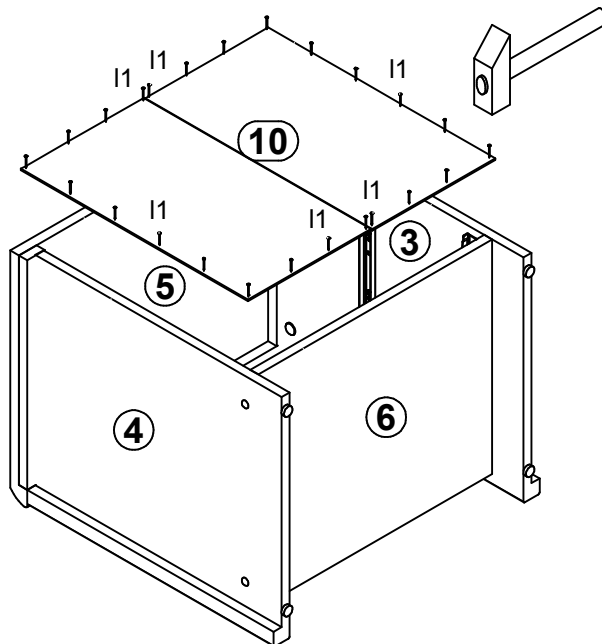
# 2



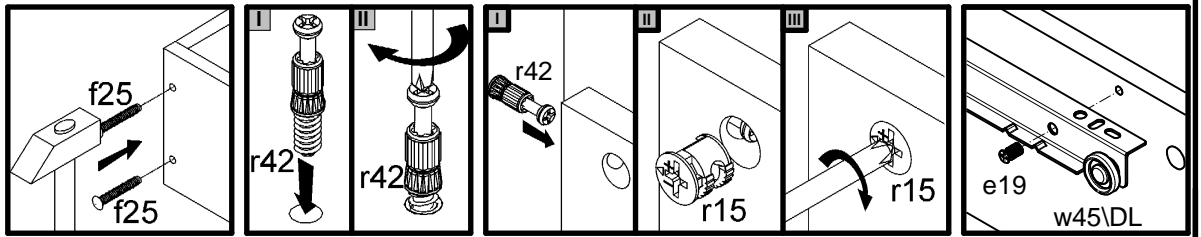
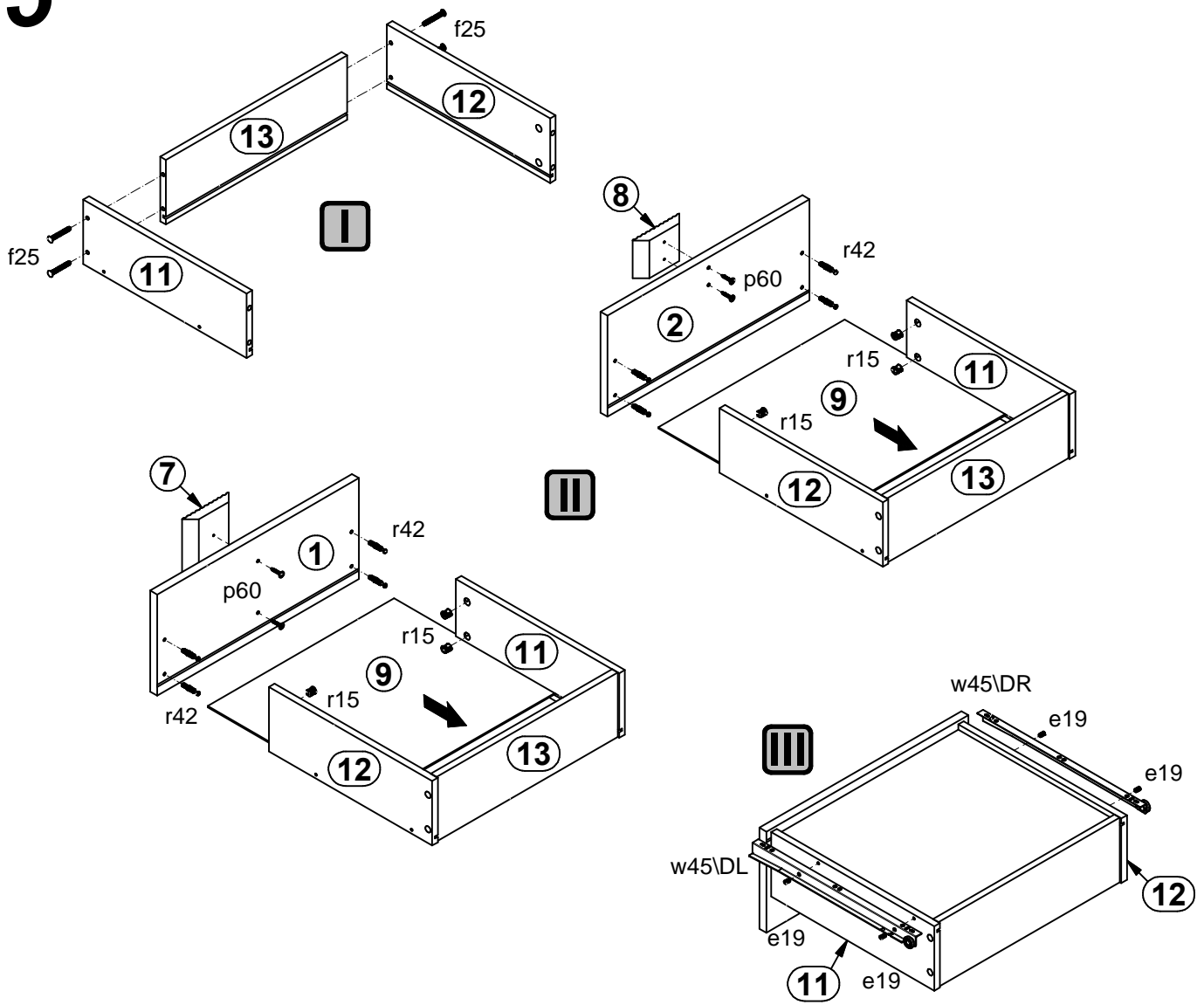
# 3



# 4



# 5



# 6

