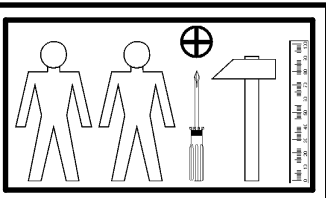
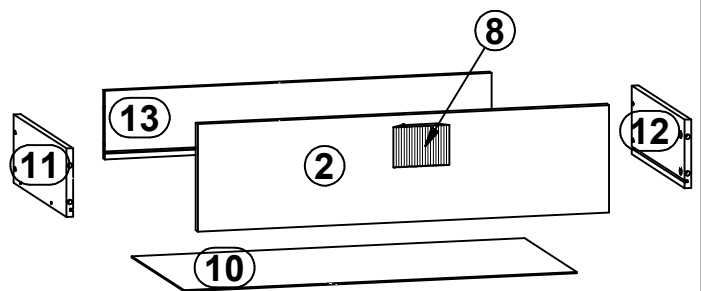
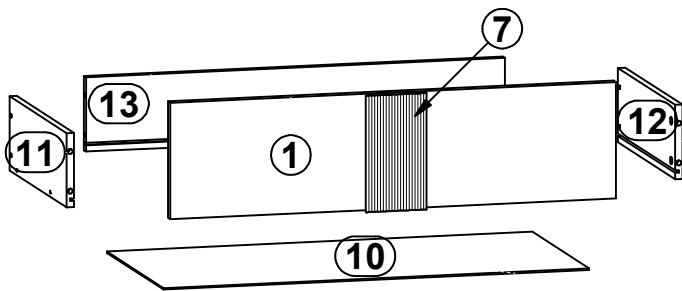
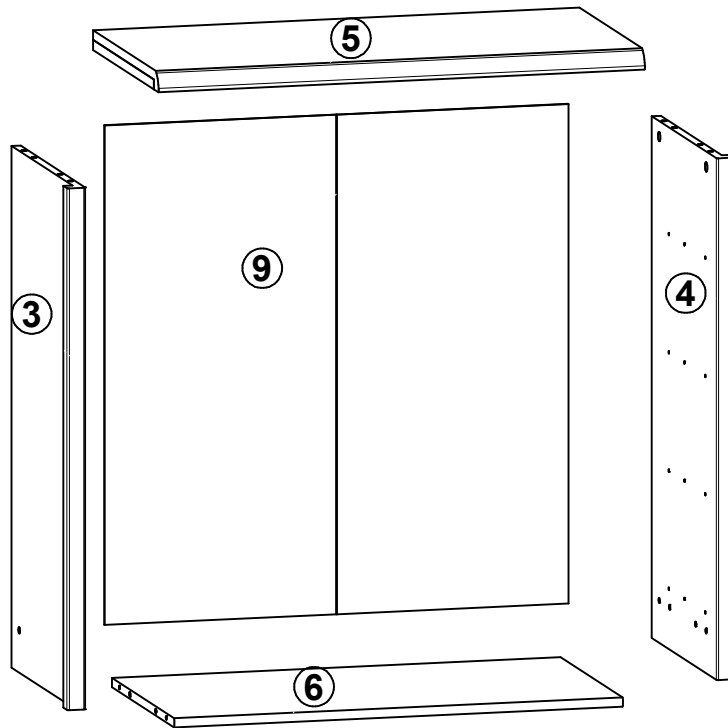
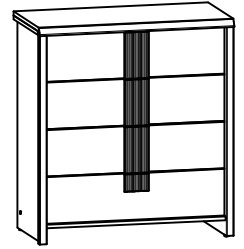


# CAPS

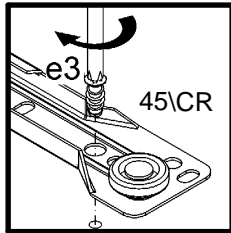
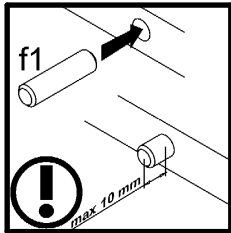
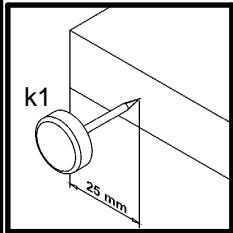
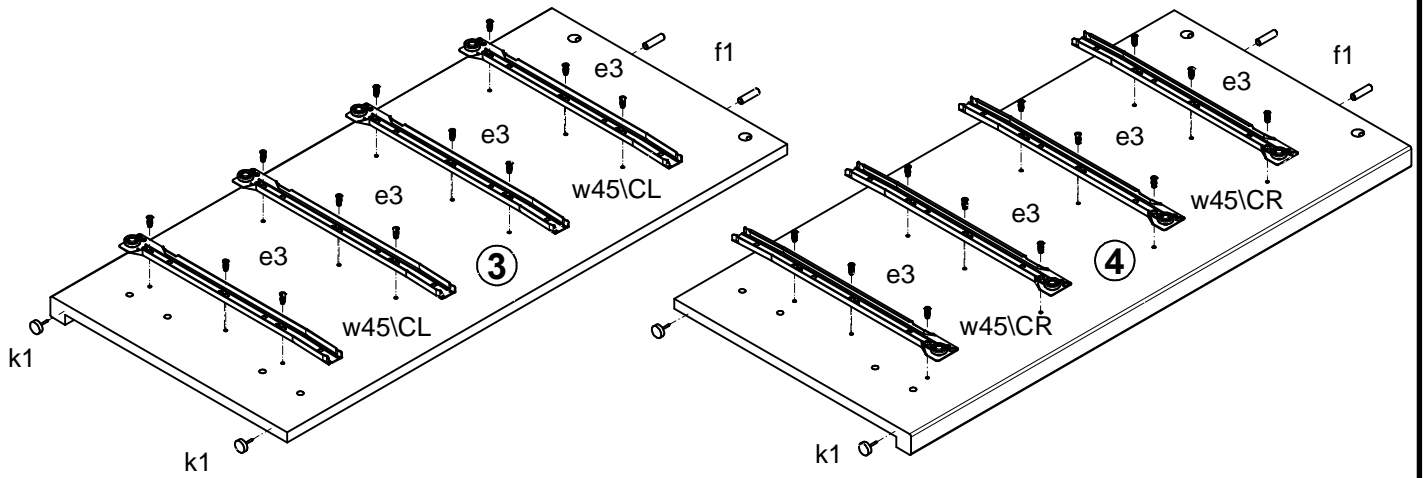
# S153-KOM4S/80

A	B	C	D
1	S153-001	733	188
2	S153-002	733	188
3	S153-101	843	399
4	S153-102	843	399
5	S153-201	800	403
6	S153-301	738	383
7	S153-571	186	100
8	S153-572	68	100
9	S153-901	807	763
10	S153-902	700	348
11	ZS2-511	350	120
12	ZS2-512	350	120
13	ZS2-5583	689	120

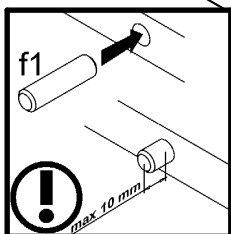
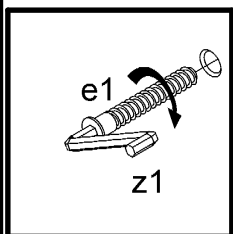
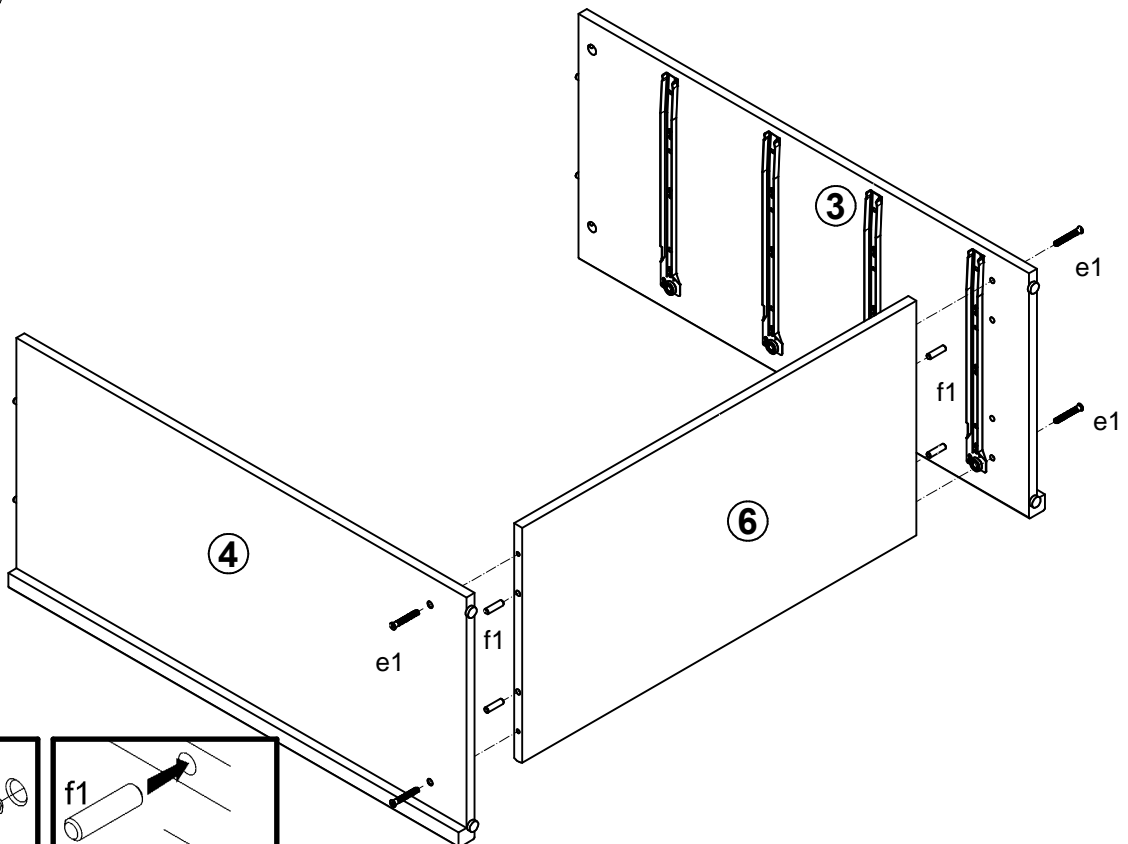


4x  φ7x50 mm <b>e1</b>	16x  φ5x9 mm <b>e19</b>	24x  φ6x13 mm <b>e3</b>	8x  φ8x30 mm <b>f1</b>	16x  φ6.5x40 mm <b>f25</b>	4x  <b>k1</b>	35x  <b>l1</b>	8x  φ3.5x16 mm <b>p25</b>	8x  φ4x22 mm <b>p60</b>
4x  φ1.5x12mm #16 <b>r1</b>	16x  φ12x10.5mm #12 <b>r15</b>	20x  <b>r42</b>	4x  333 mm <b>t19</b>	4x  350 mm <b>w45\CL</b>	4x  350 mm <b>w45\CR</b>	4x  350 mm <b>w45\DL</b>	4x  350 mm <b>w45\DR</b>	1x  <b>z1</b>
1x  <b>n26\1</b>	1x  φ3.5x16 mm <b>p38</b>	4x  <b>s1</b>	2x  ø16 <b>s2</b>					

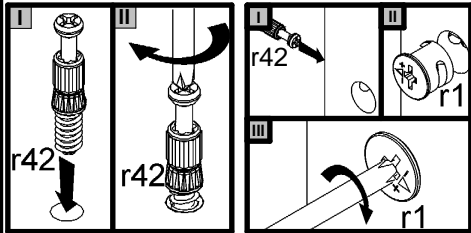
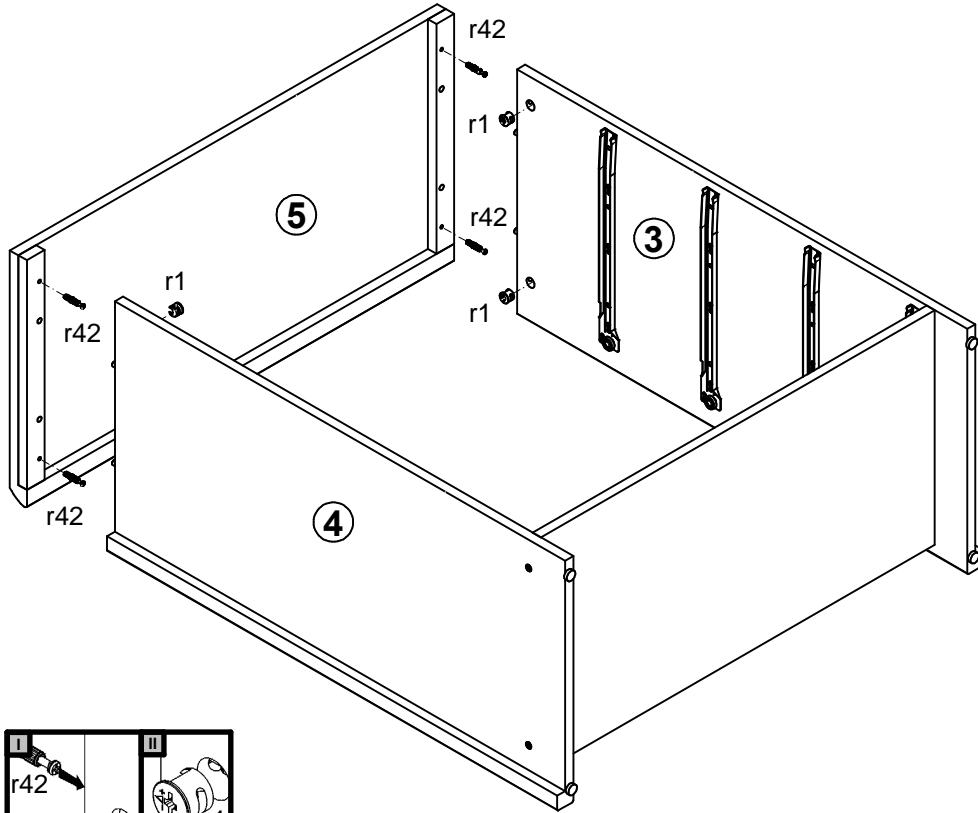
# 1



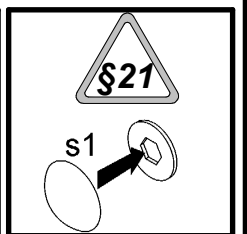
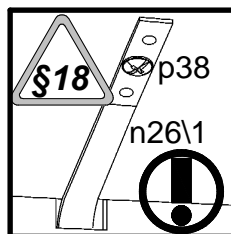
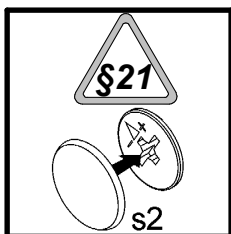
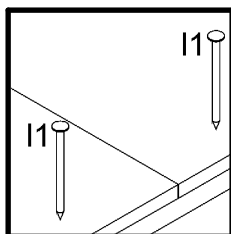
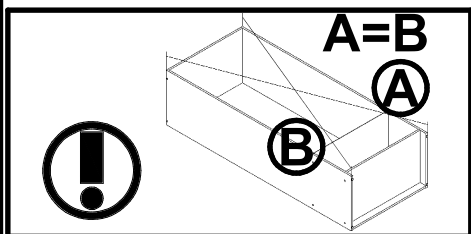
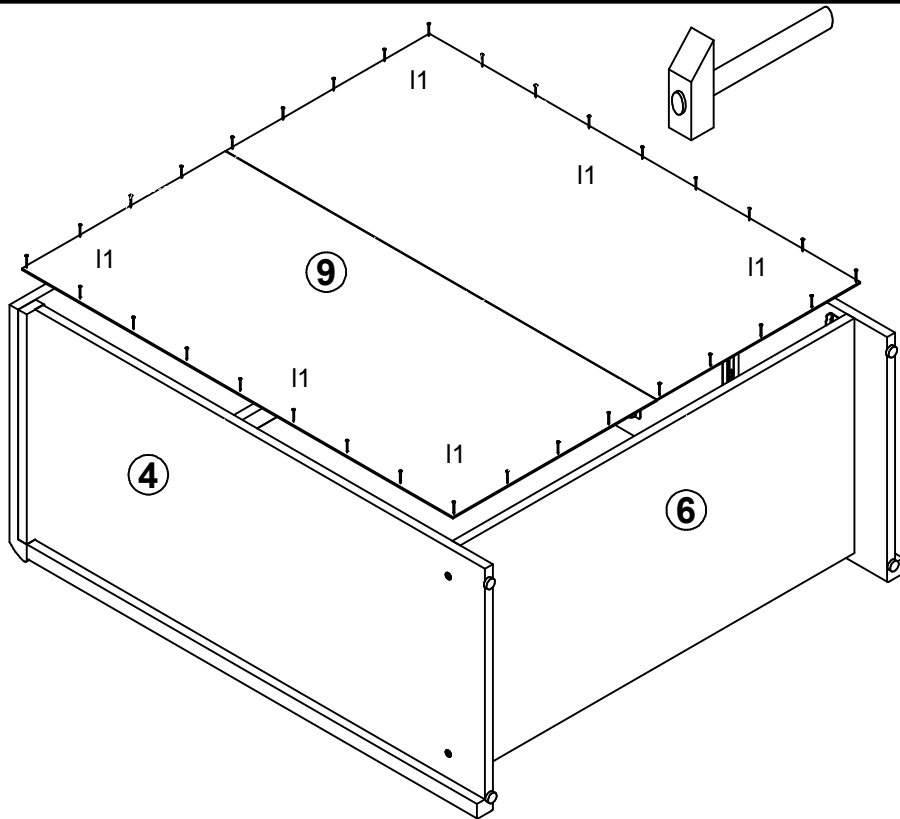
# 2



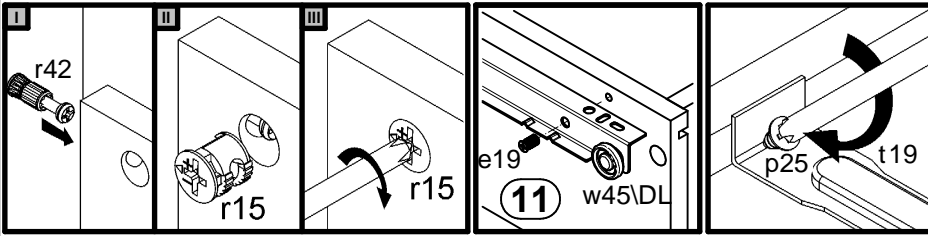
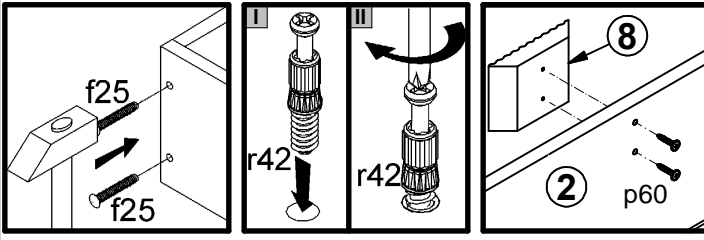
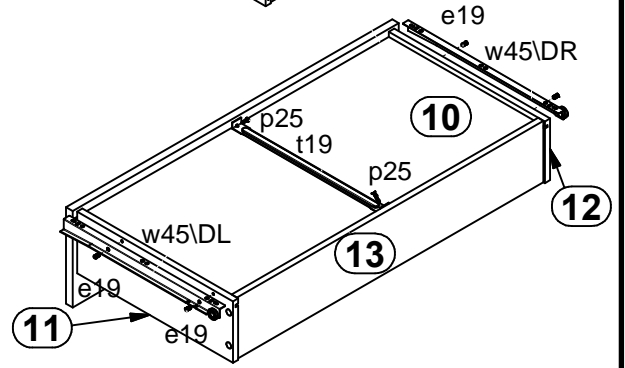
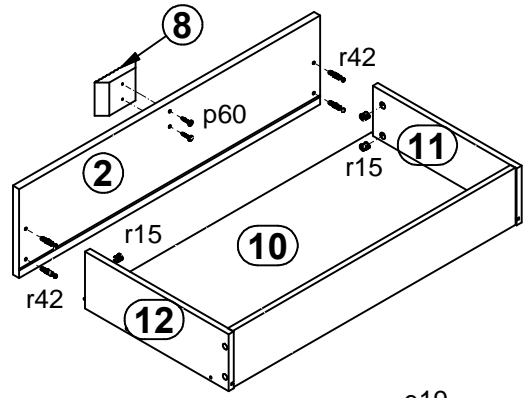
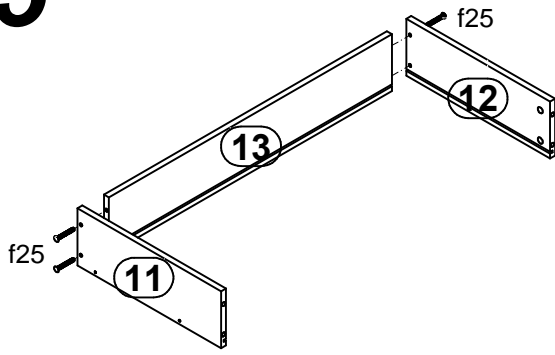
# 3



# 4



# 5



# 6

