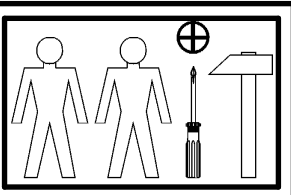
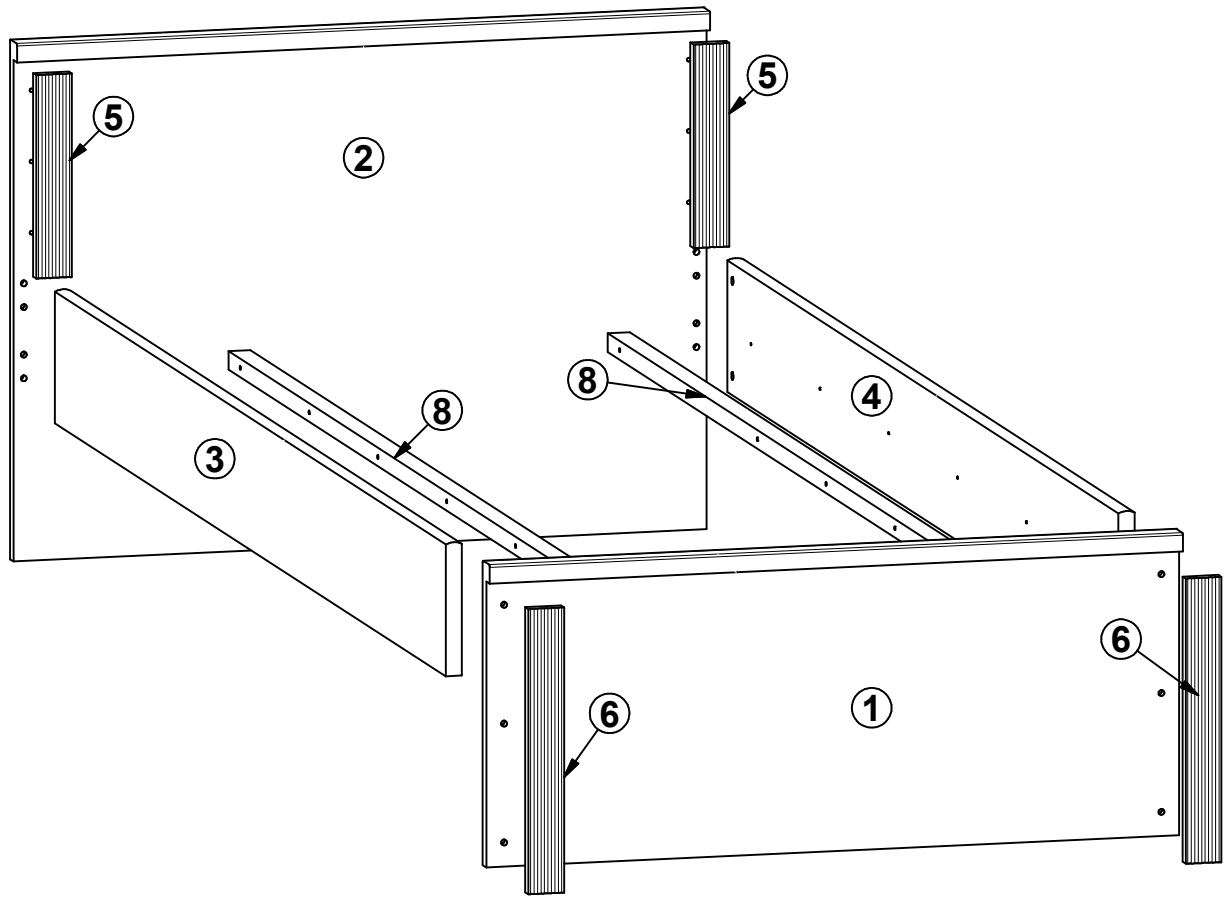
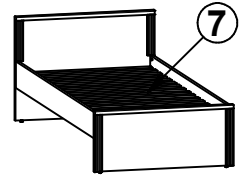


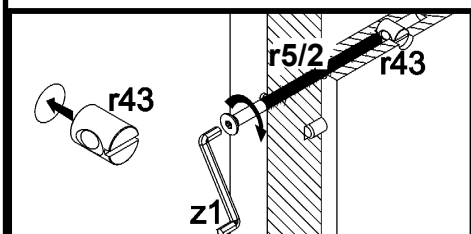
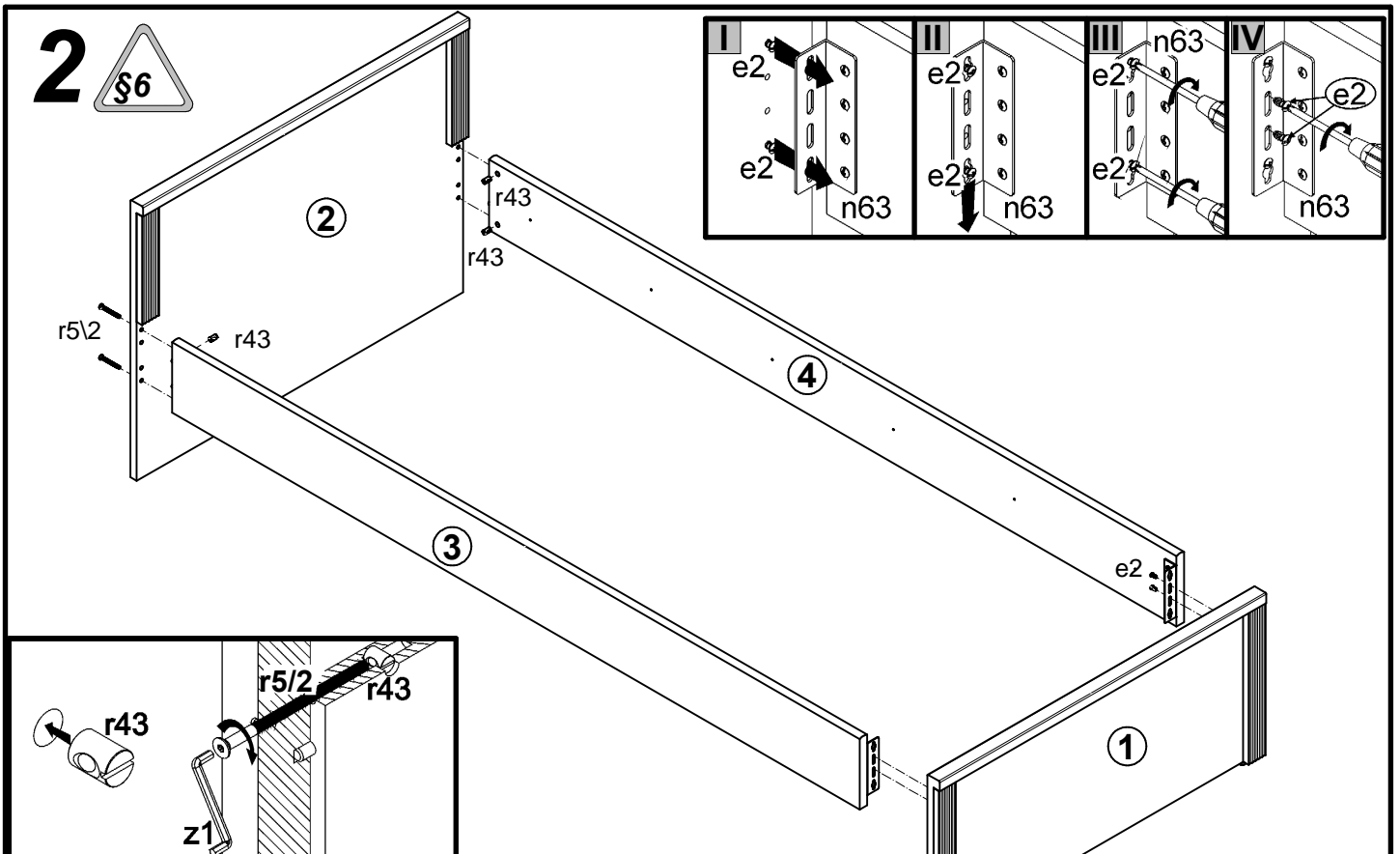
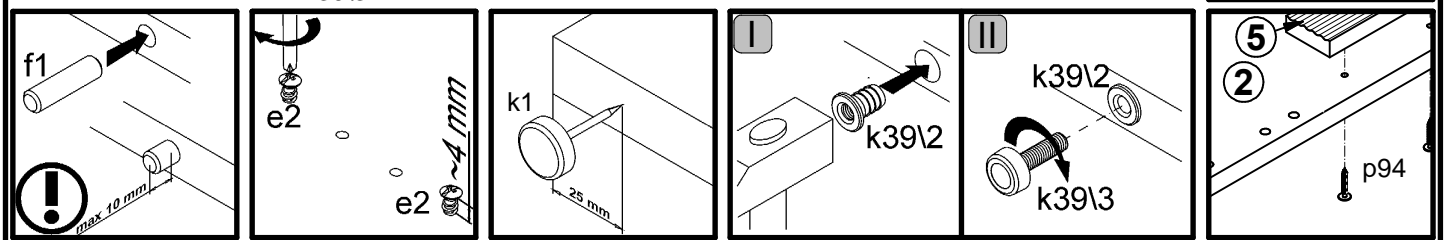
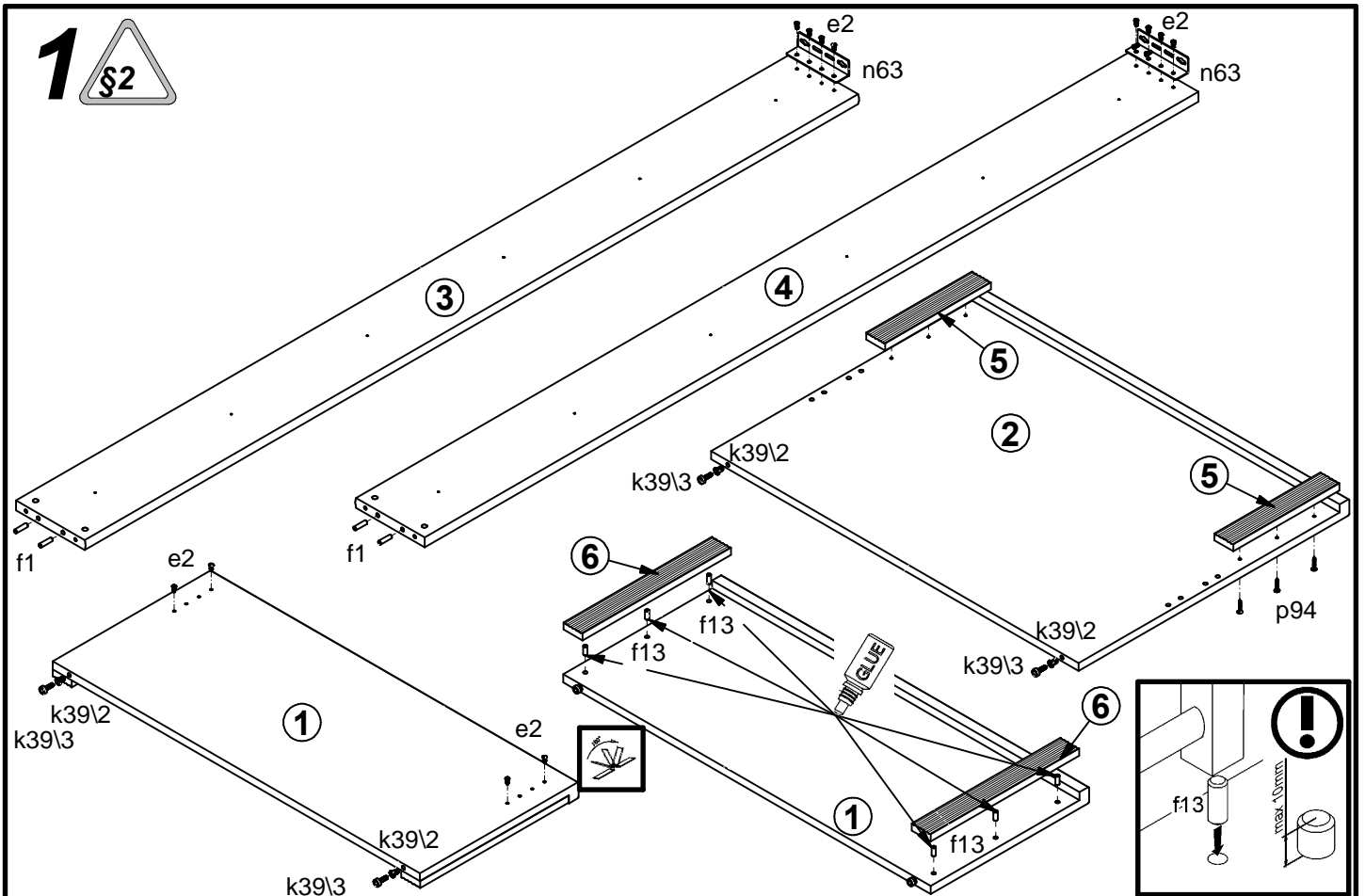
CAPS

S153-LOZ/90

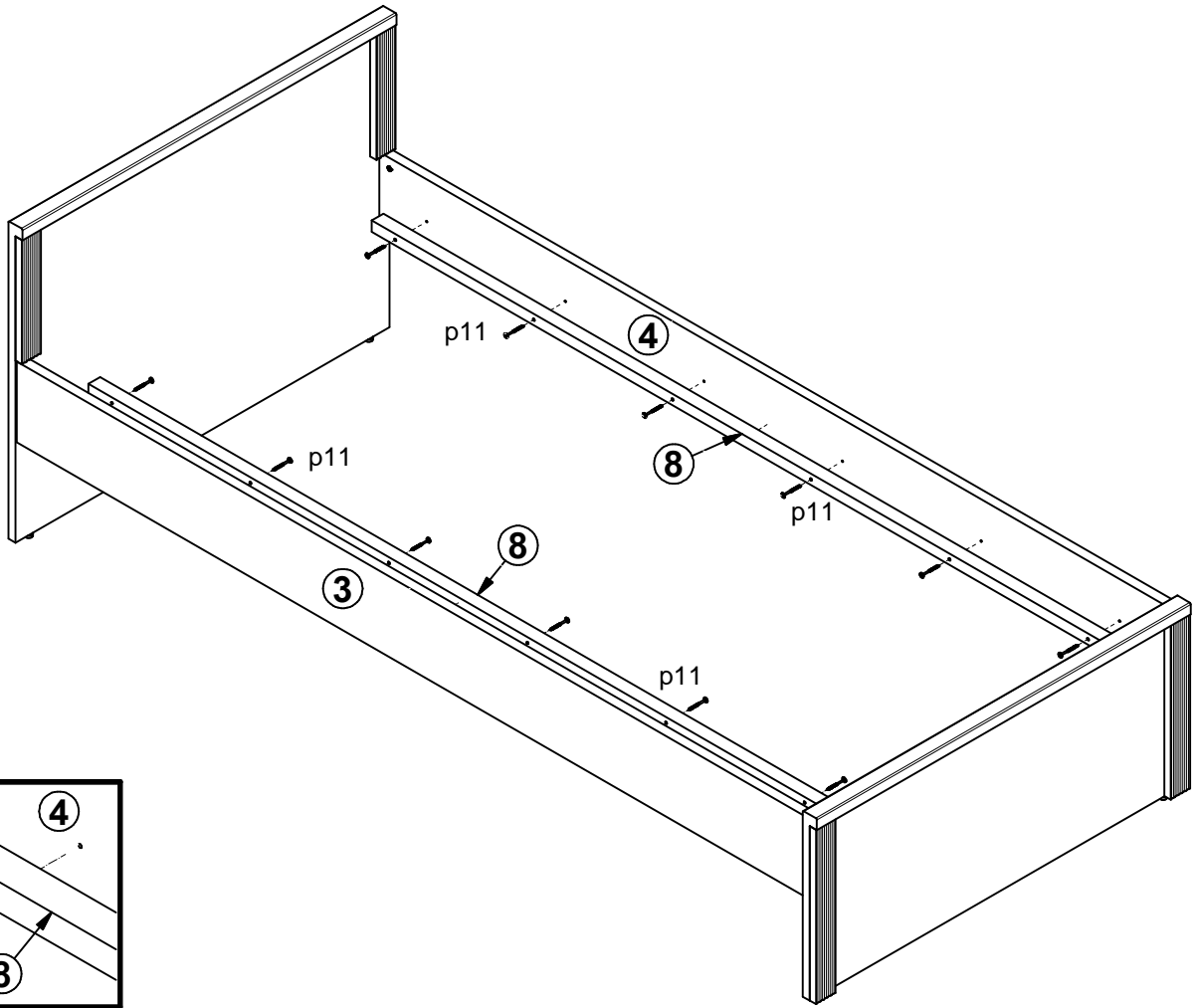
A	B	C	D	
1	S153-006	950	410	1/3
2	S153-007	950	700	1/3
3	S153-109	2000	180	2/3
4	S153-110	2000	180	2/3
5	S153-574	274	49	3/3
6	S153-575	384	49	3/3
7	ZZ1-504	1872	886	1/1
8	ZZ1-720	1880	25	2/3



16x φ6.3x13 mm e2	4x φ8x30 mm f1	6x φ8x20 mm f13	4x M6-φ9x14 mm k39/2	2x 130x34x34.2mm n63	12x φ4x45 mm p11	6x φ4x35 mm p6	6x φ4x28 mm p94	4x φ10x16mm r43
4x φ6x54 mm r5/2	1x φ6x22mm z1	4x M6-22mm k39/3	1x φ6x22mm y1					



3



4

