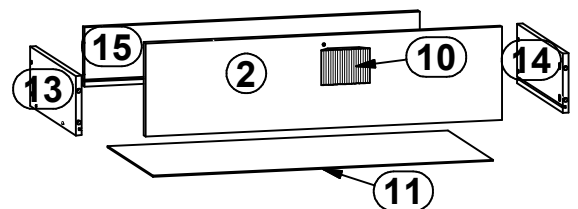
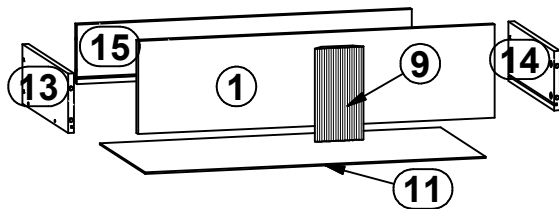
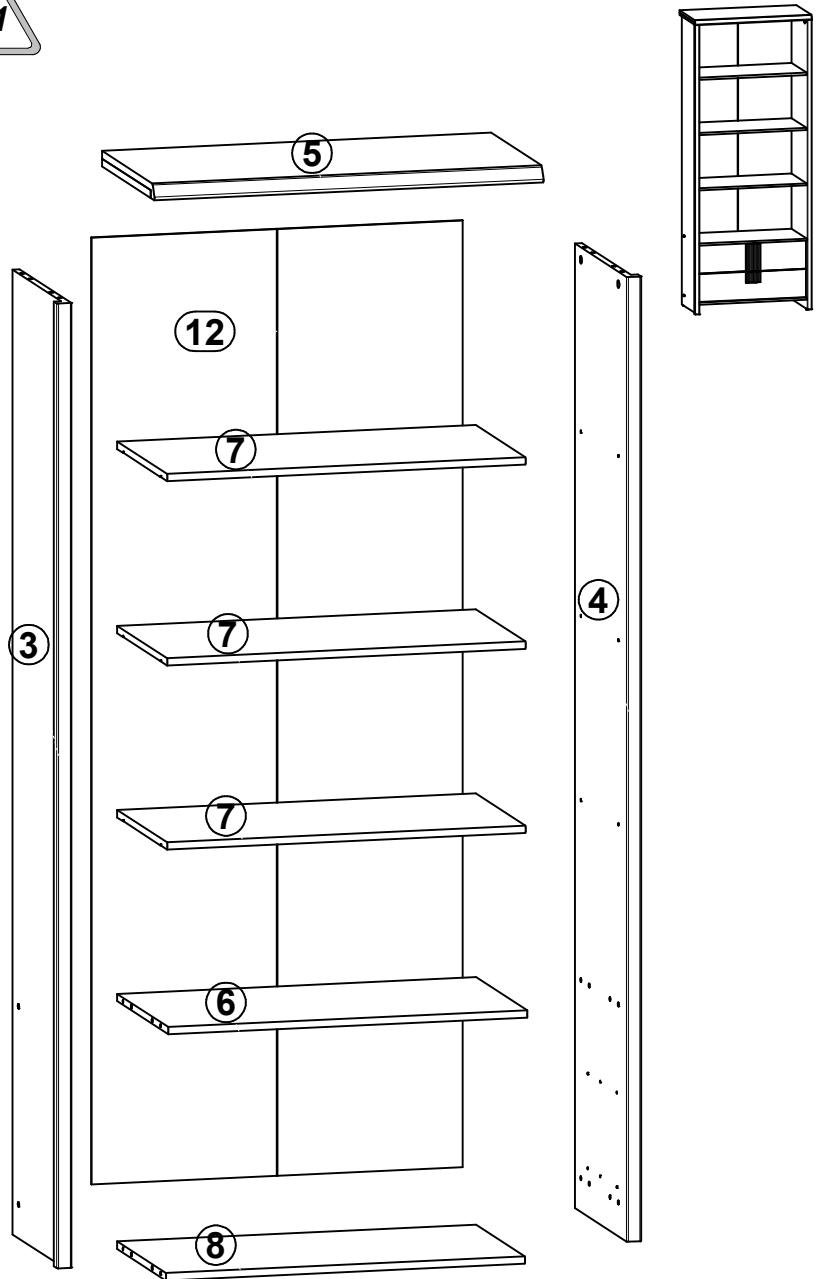
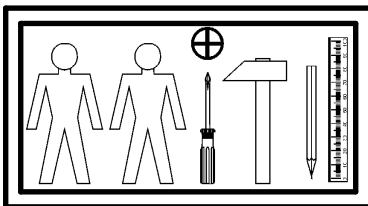


CAPS

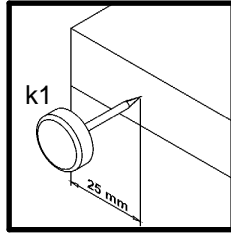
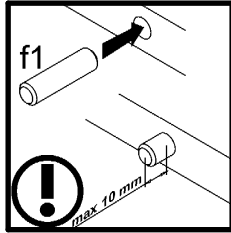
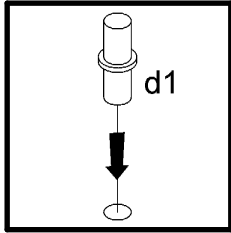
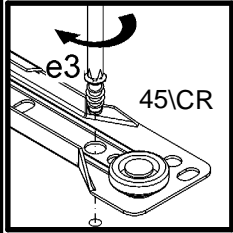
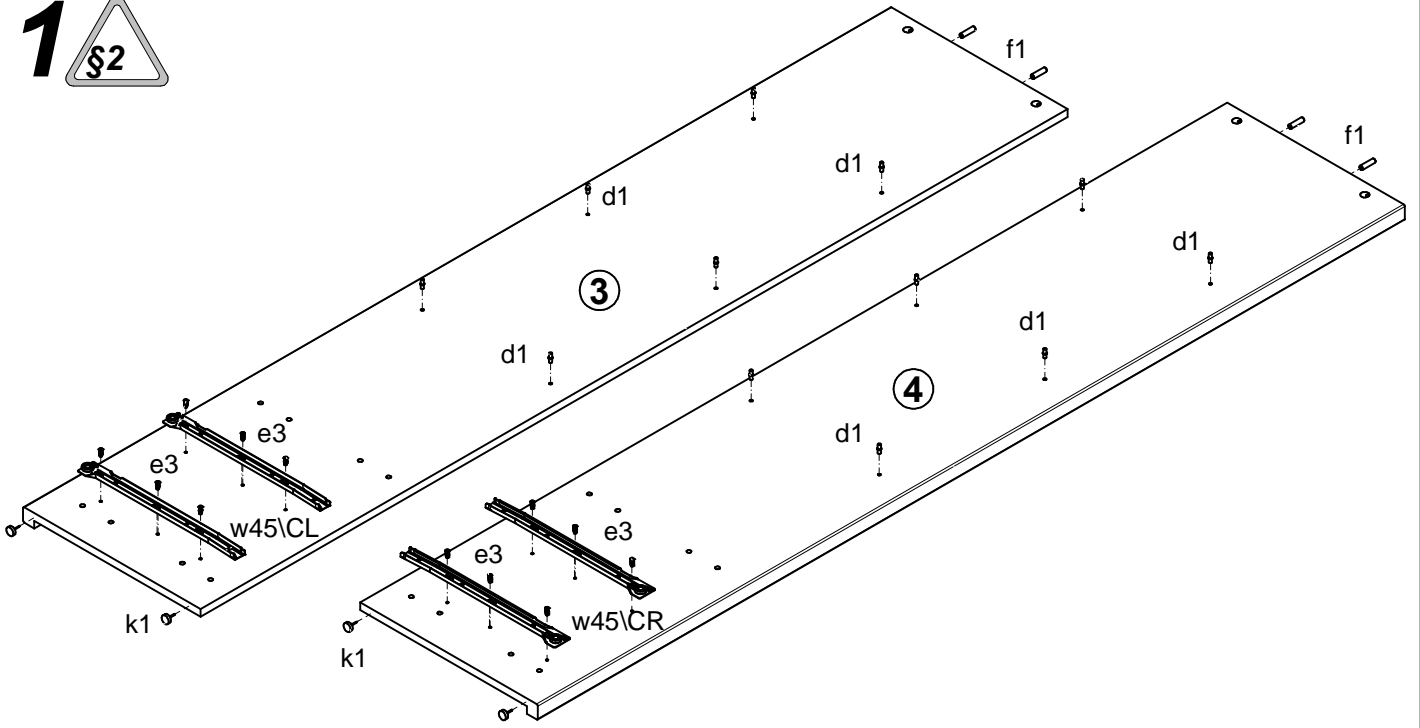
S153-REG2S/80

A	B	C	D	
1	S153-001	733	188	1/3
2	S153-002	733	188	1/3
3	S153-103	1948	399	1/3
4	S153-104	1948	399	1/3
5	S153-201	800	403	2/3
6	S153-303	738	395	2/3
7	S153-304	737	384	2/3
8	S153-305	738	376	1/3
9	S153-571	186	100	3/3
10	S153-572	68	100	3/3
11	S153-902	700	348	2/3
12	S153-905	1912	763	1/3
13	ZS2-511	350	120	2/3
14	ZS2-512	350	120	2/3
15	ZS2-5583	689	120	2/3

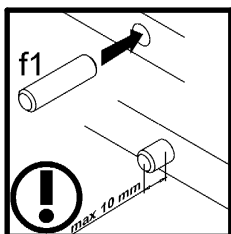
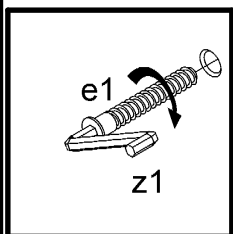
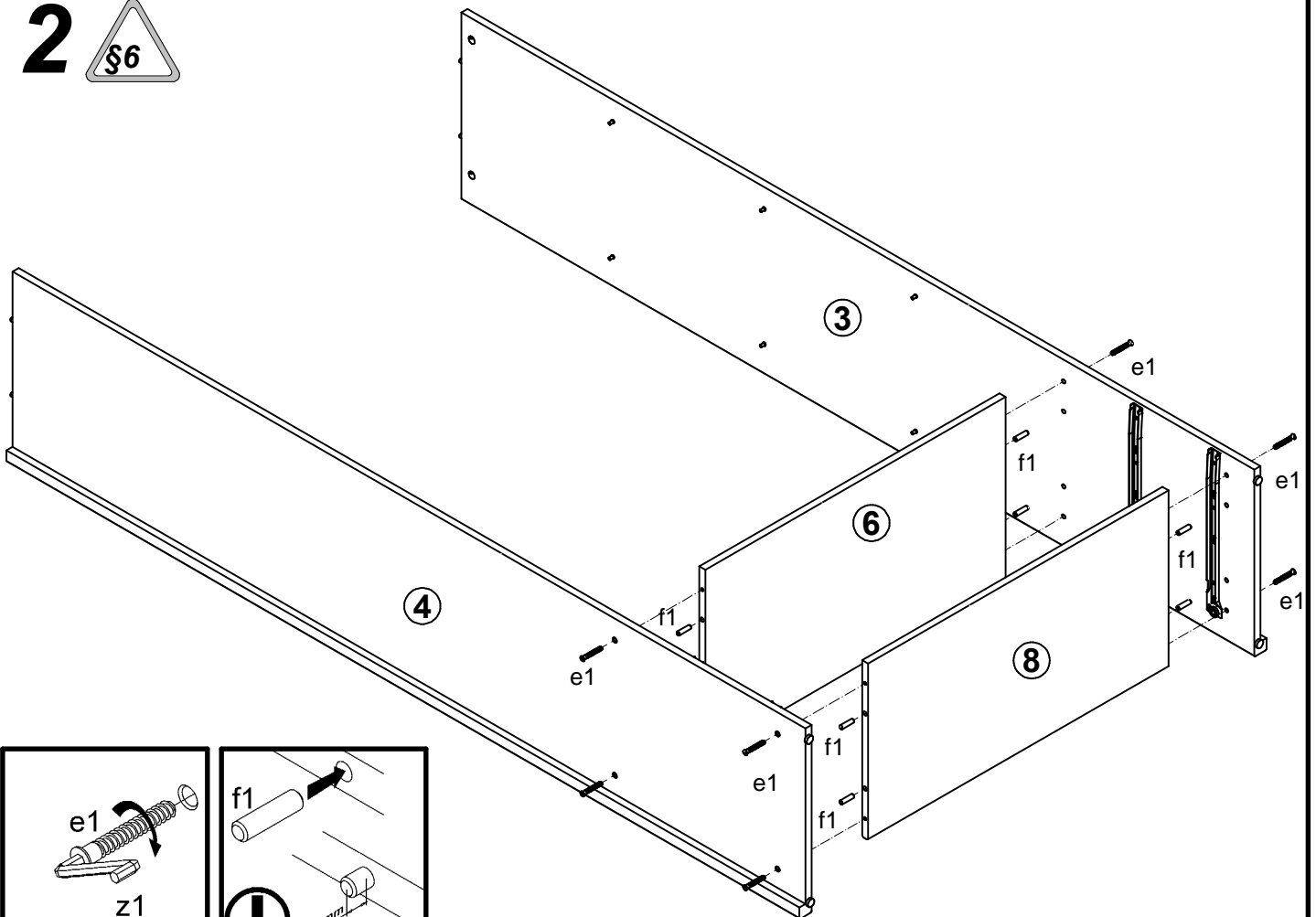


12x φ5x17 mm d1	8x φ7x50 mm e1	8x φ5x9 mm e19	12x φ6x13 mm e3	12x φ8x30 mm f1	8x φ6.5x40 mm f25	4x k1	65x l1	4x φ3.5x16 mm p25
4x φ4x22 mm p60	4x φ1.5x12mm #16 r1	8x φ12x10.5mm #12 r15	12x r42	2x 333 mm t19	2x 350 mm w45\CL	2x 350 mm w45\CR	2x 350 mm w45\DL	2x 350 mm w45\DR
1x z1	1x n26\1	1x φ3.5x16 mm p38	8x s1	4x ø16 s2				

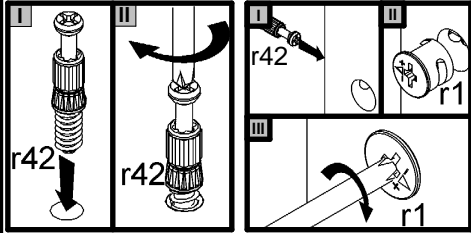
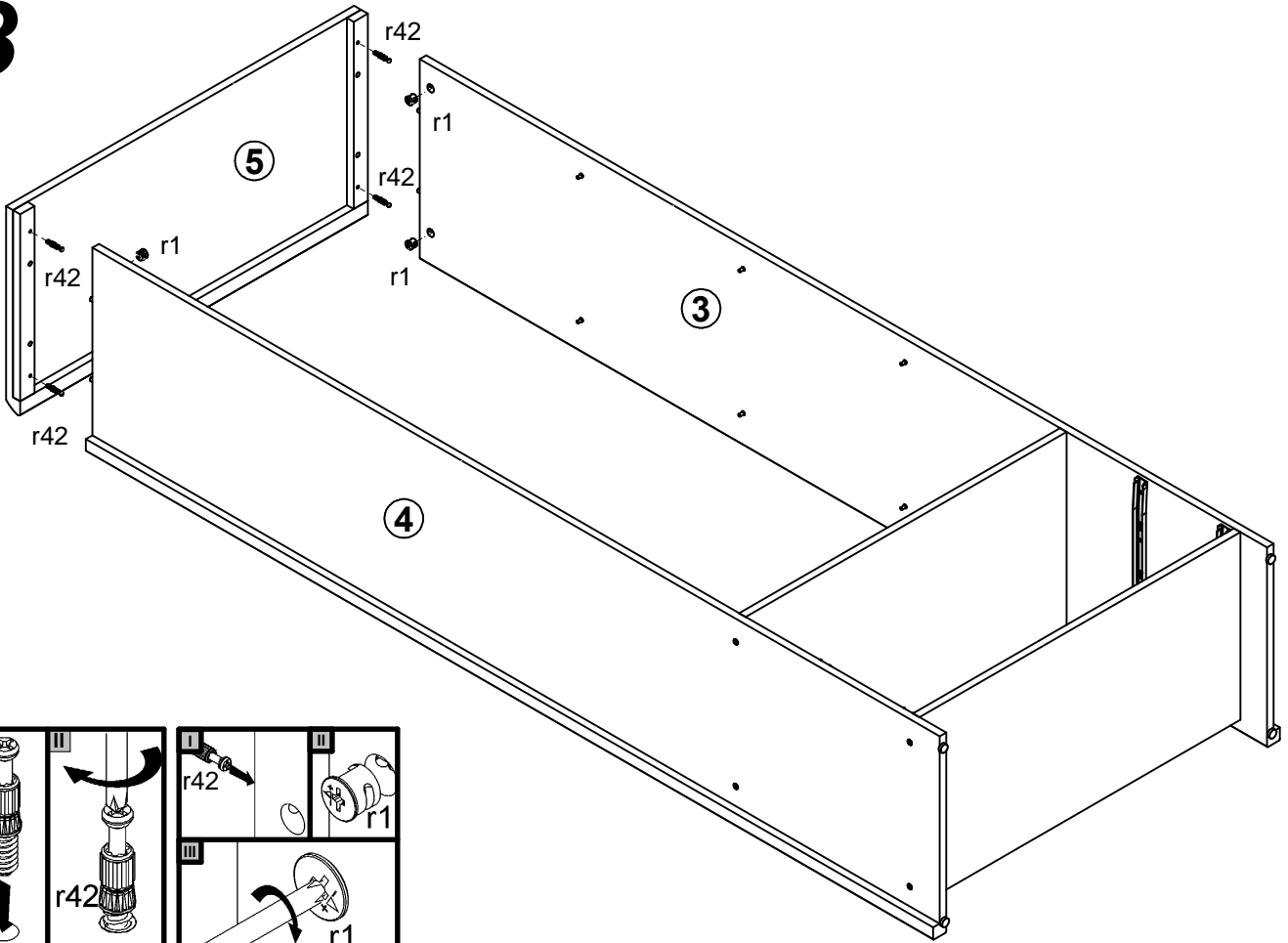
1



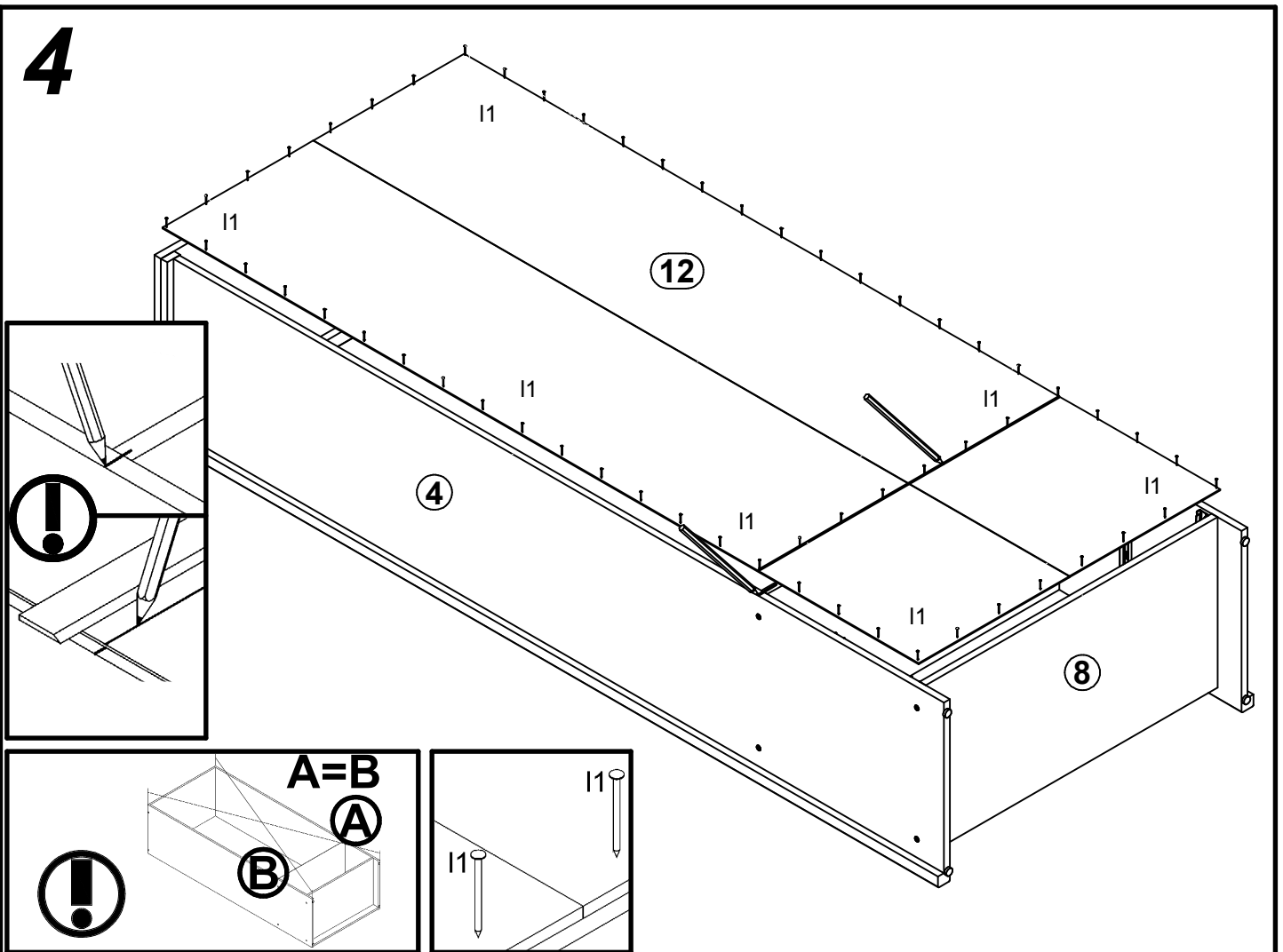
2



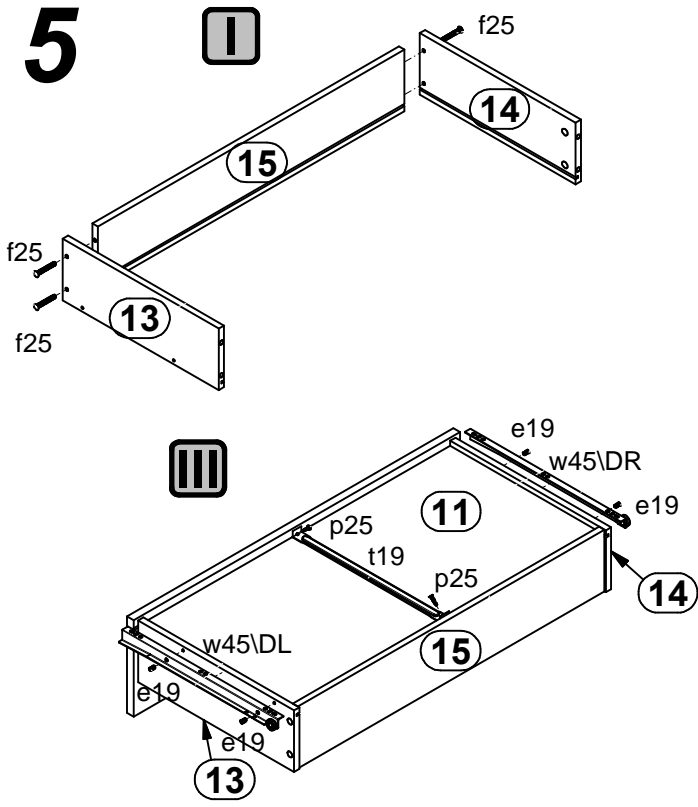
3



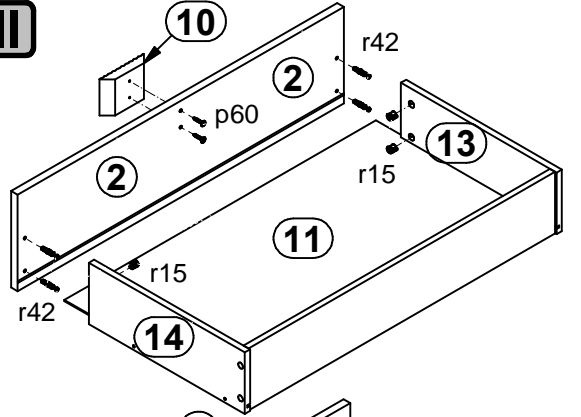
4



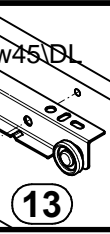
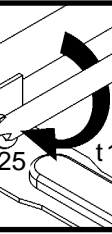
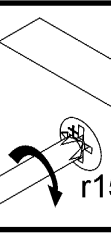
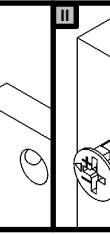
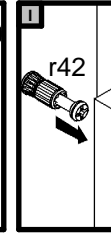
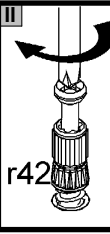
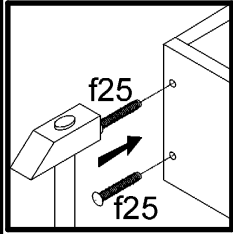
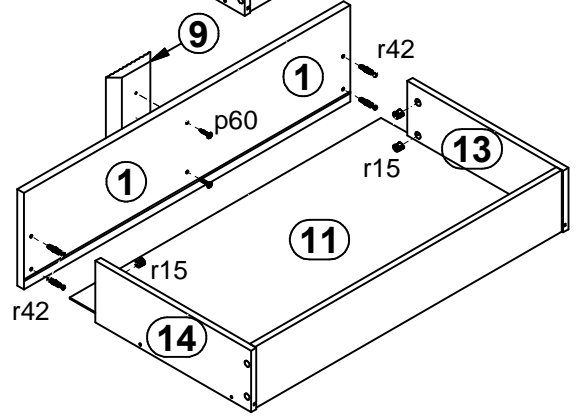
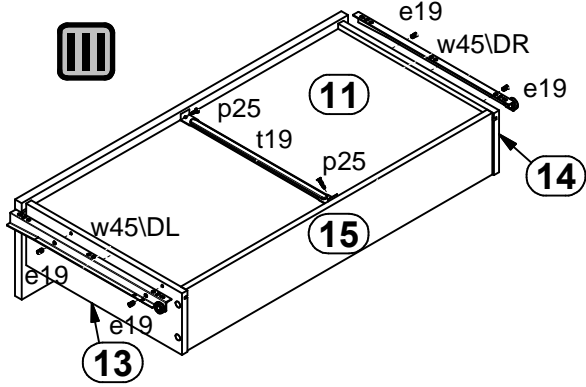
5



II



III



6

