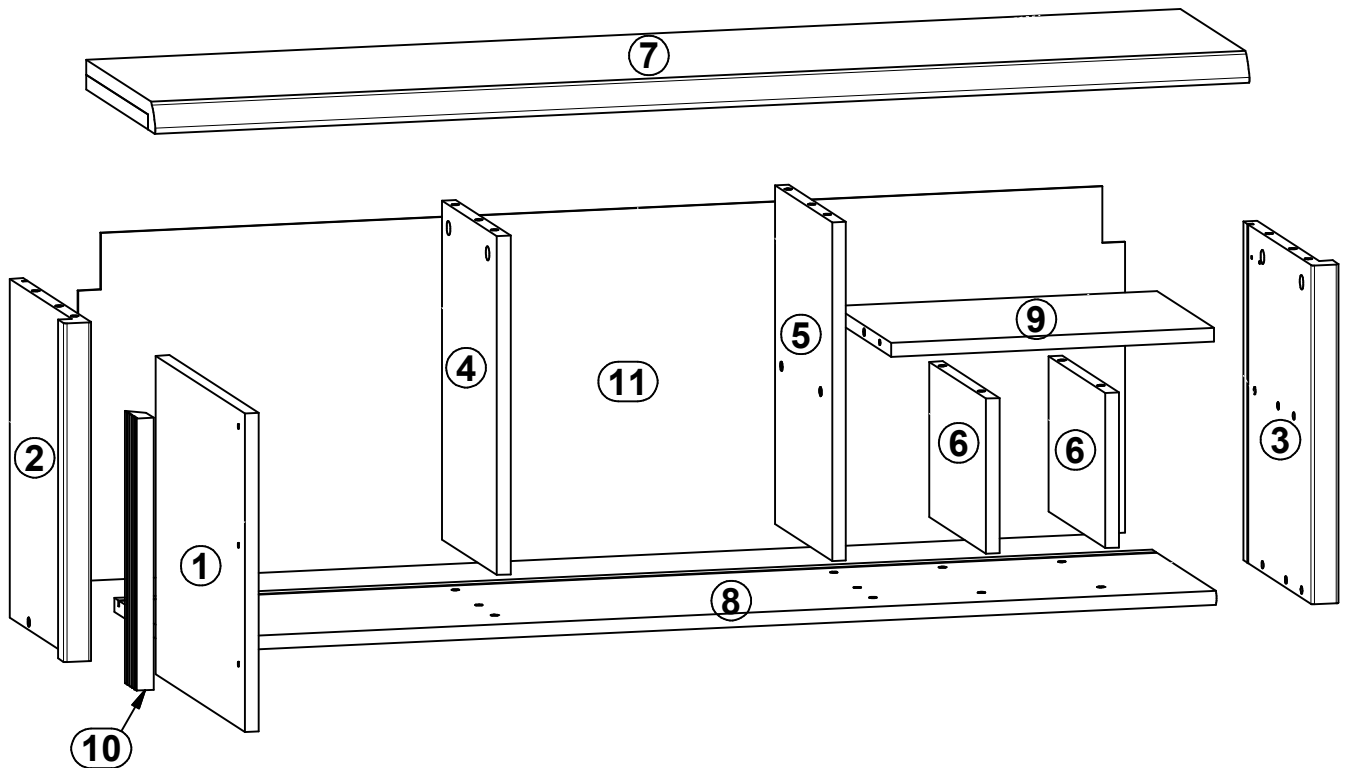
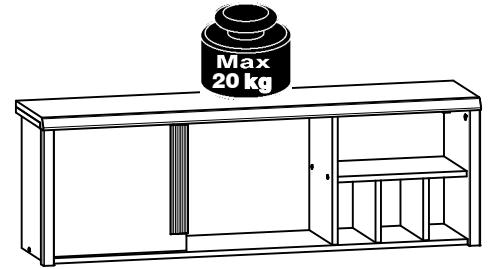


CAPS

S153-SFW1D/120

A	B	C	D	
1	S153-014	343	365	1/2
2	S153-119	365	279	1/2
3	S153-120	365	279	1/2
4	S153-121	365	224	1/2
5	S153-124	365	234	1/2
6	S153-125	167	232	1/2
7	S153-206	1200	283	1/2
8	S153-317	1138	263	1/2
9	S153-319	354	233	1/2
10	S153-581	291	49	2/2
11	S153-911	1148	374	1/2

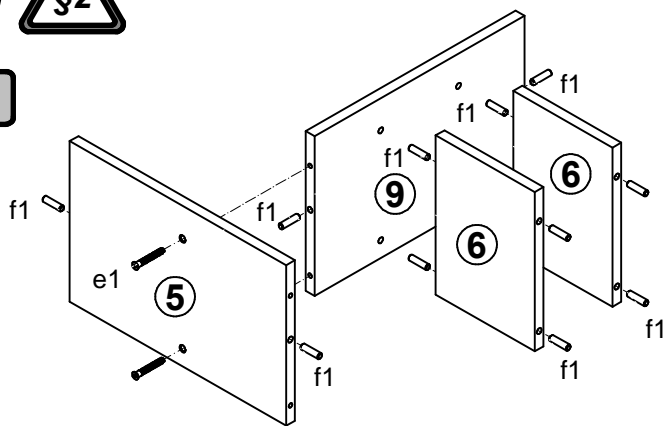


2x K16 a43	2x b19	12x φ7x50 mm e1	4x φ6,3x13 mm e2	18x φ8x30 mm f1	2x φ10x50 mm f35	15x l1	8x l2	1x n38VL
1x n38IP	4x φ4x30 mm p21	4x φ3,5x15 mm p51	3x φ4x22 mm p60	2x φ5x60 mm p75	8x φ15x12mm #16 r1	8x r42	12x s1	6x φ16 s2
1x z1								

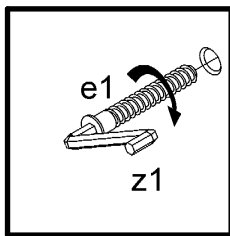
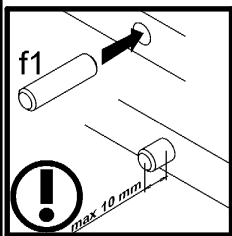
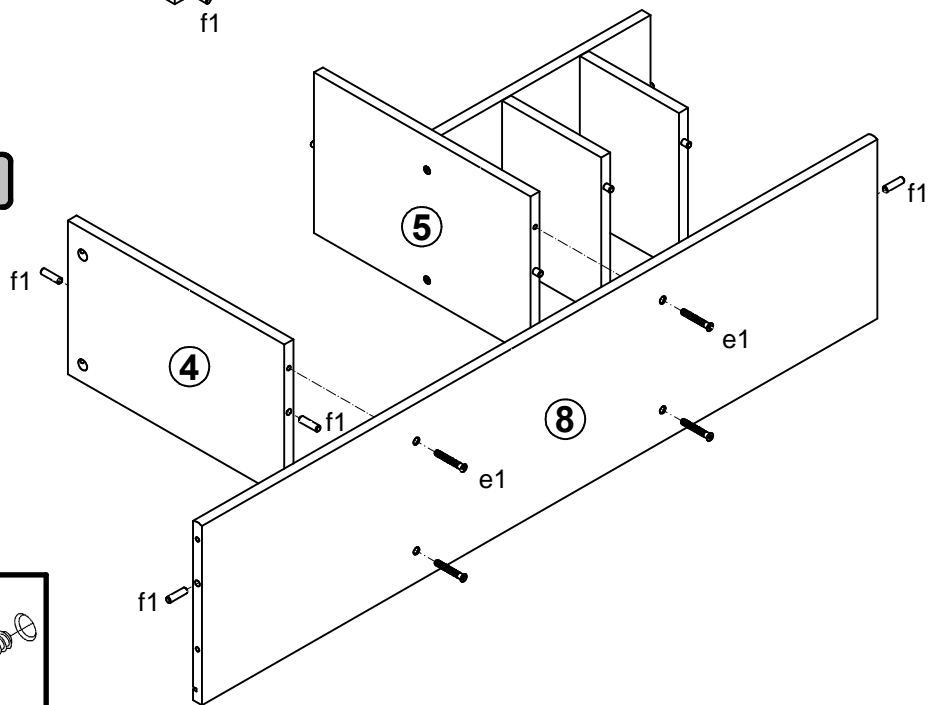
1



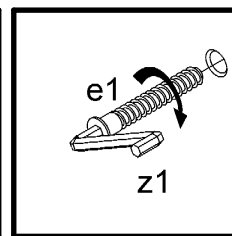
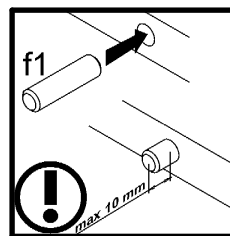
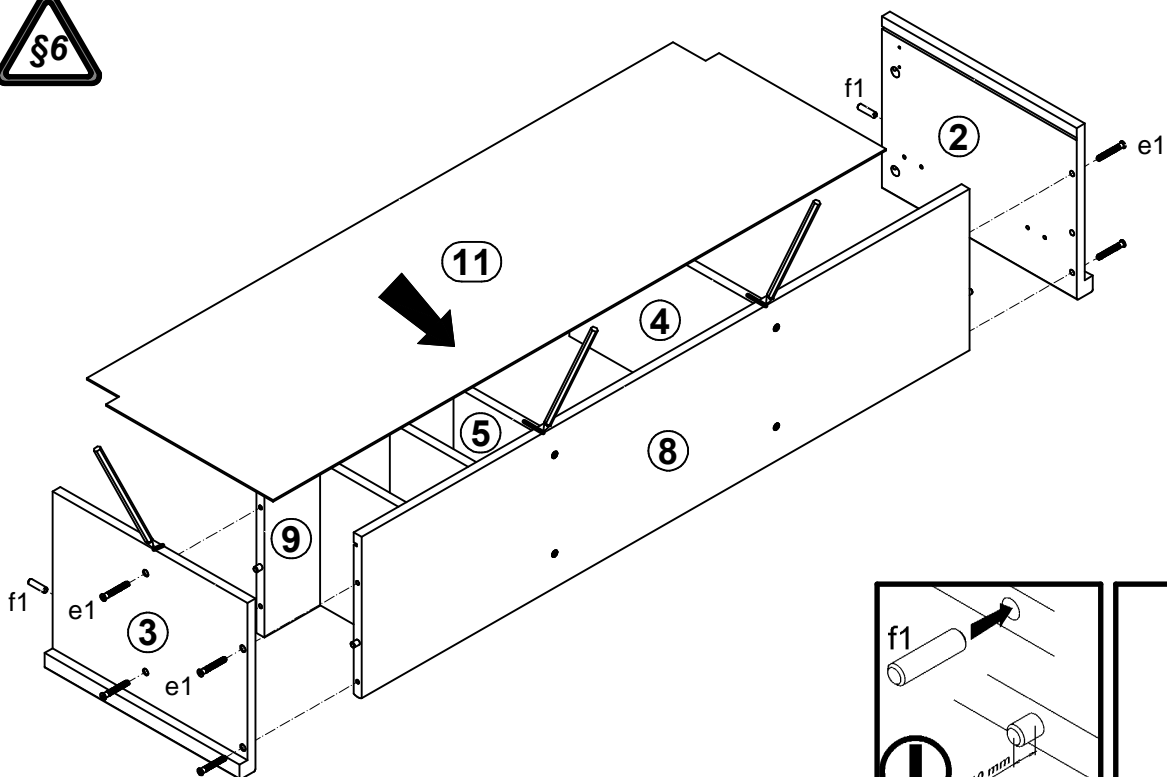
I

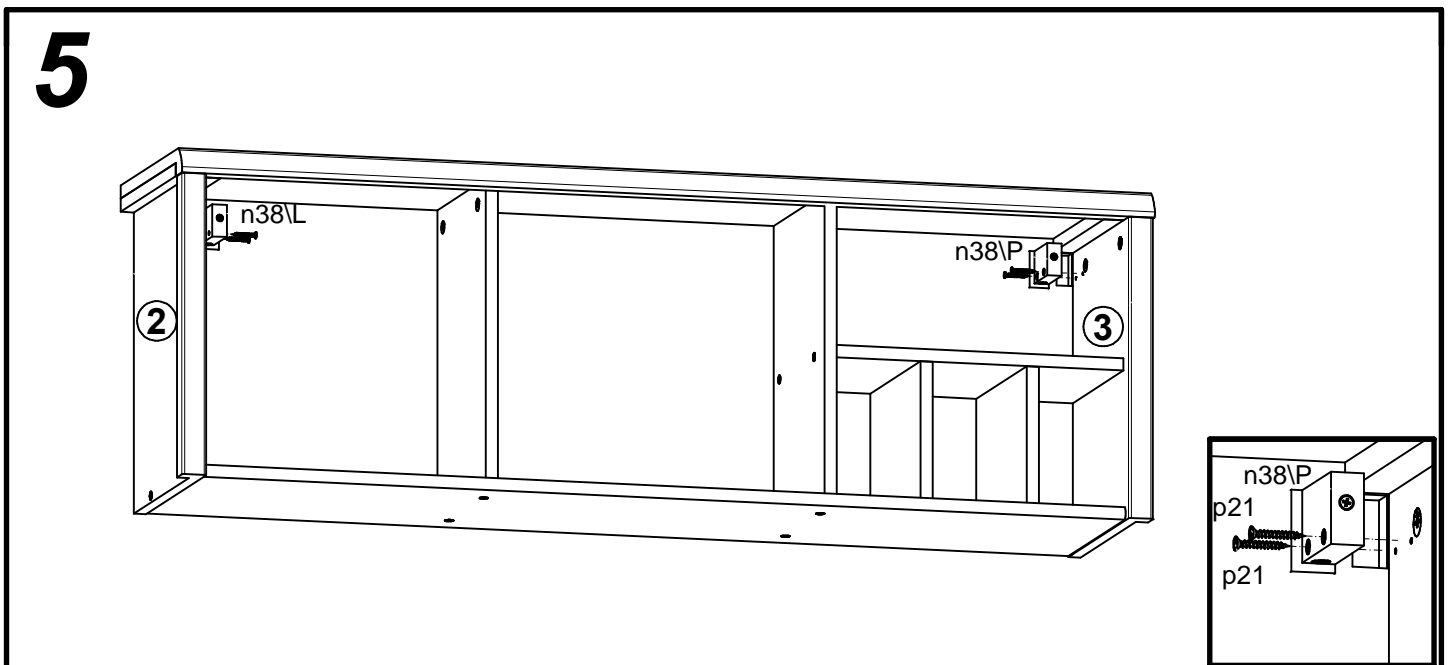
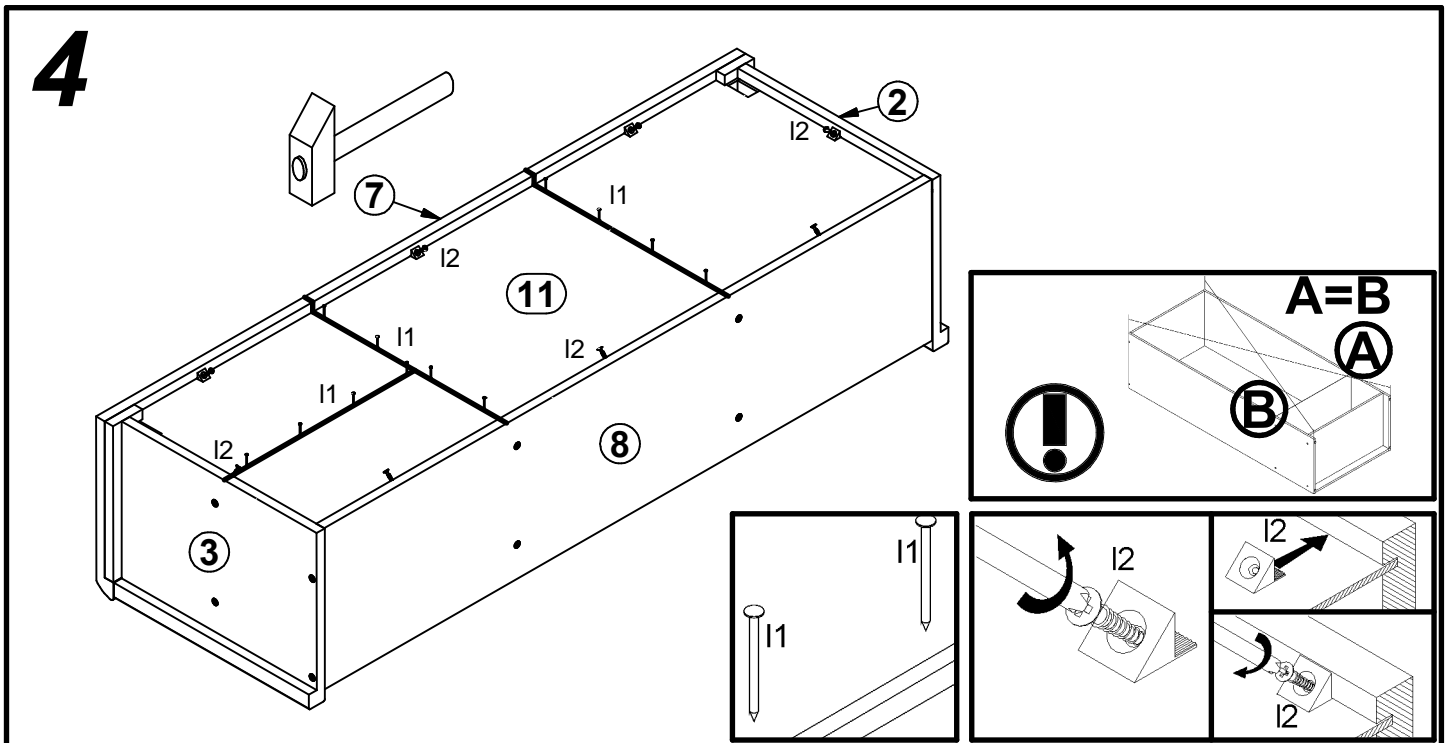
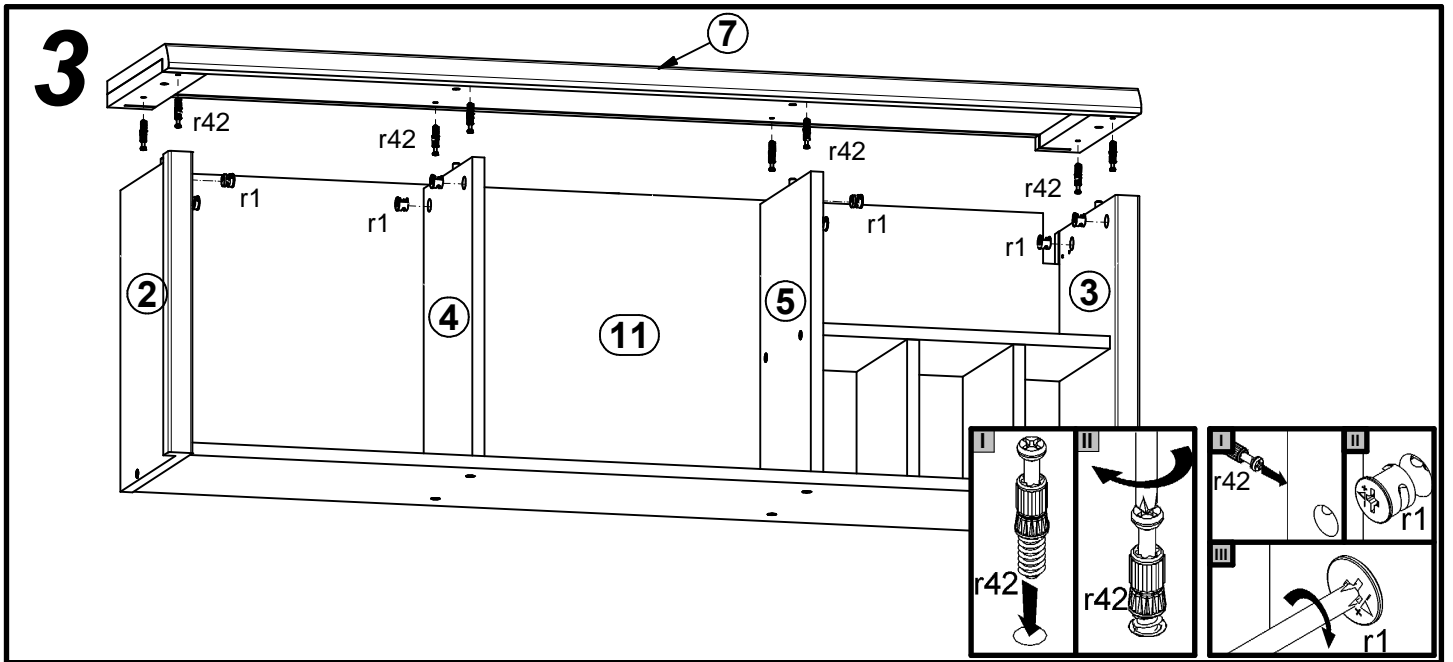


III

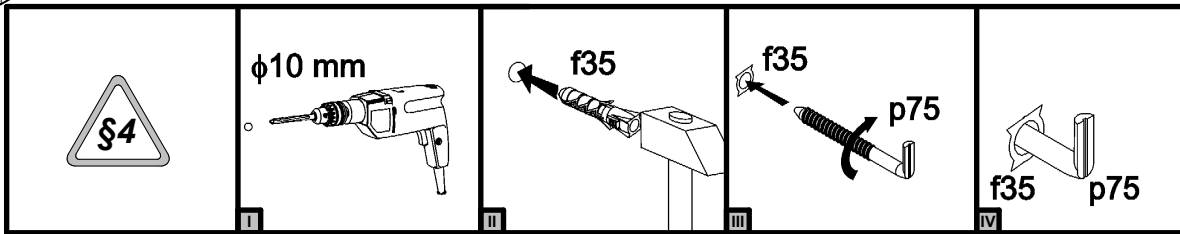
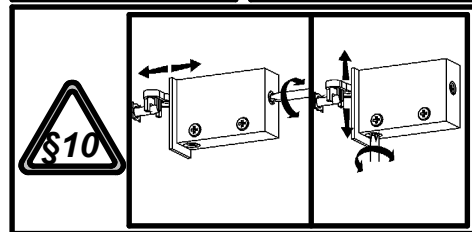
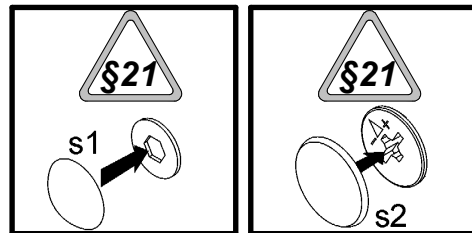
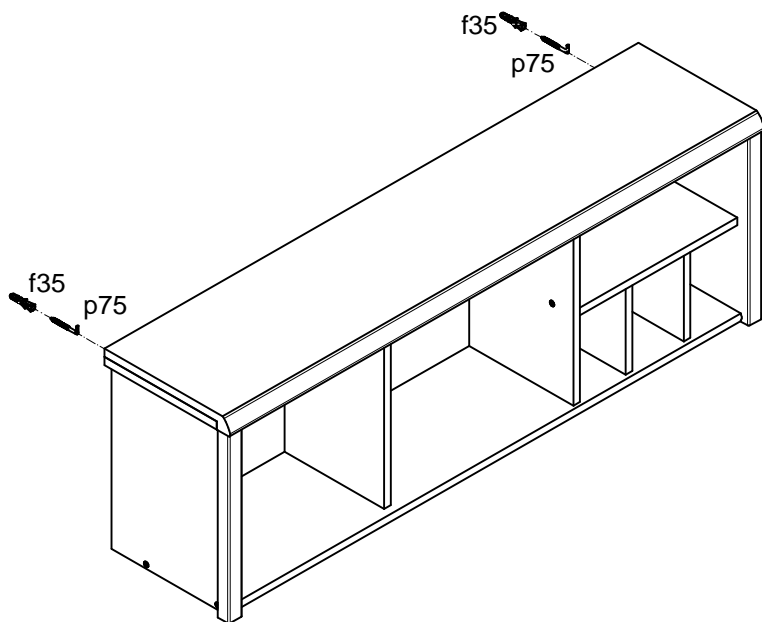
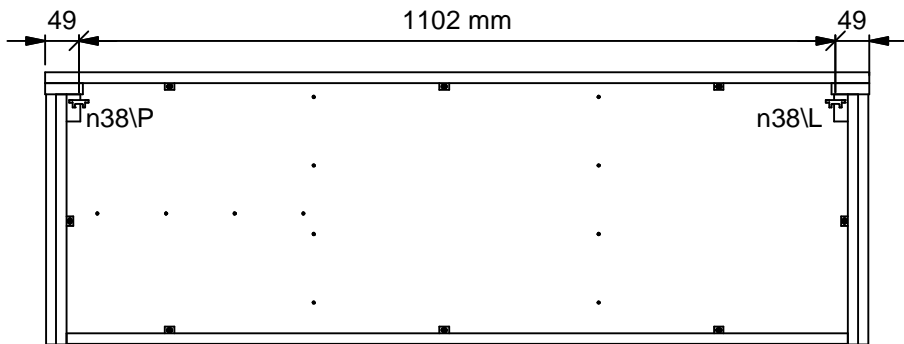


2





6



7

