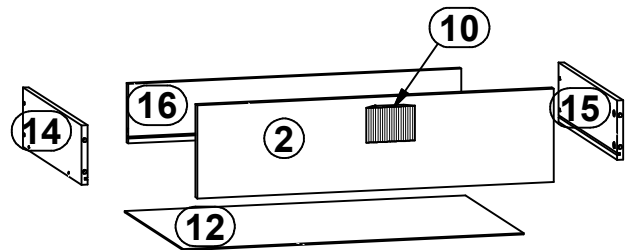
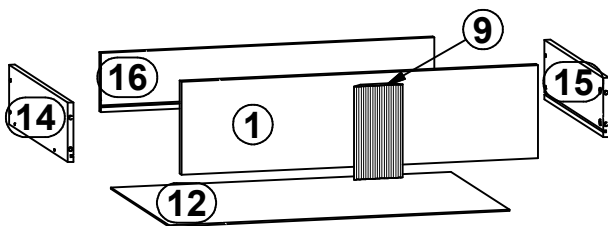
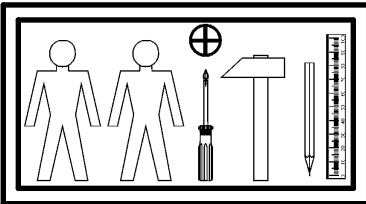
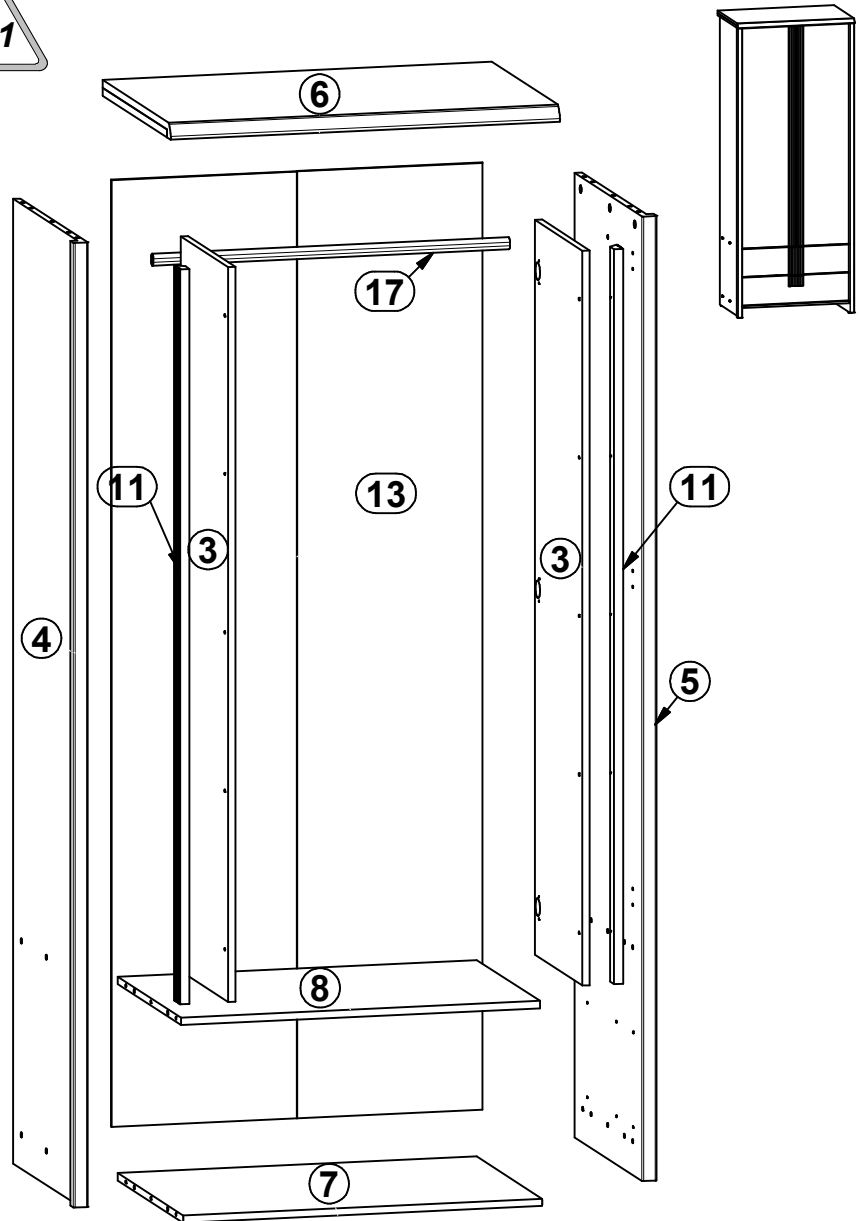


# CAPS

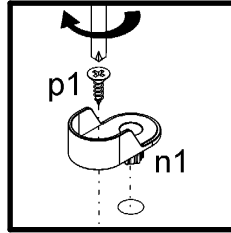
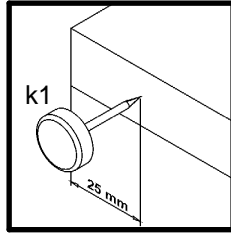
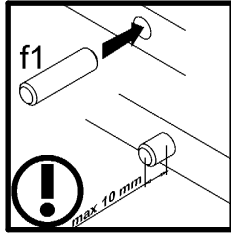
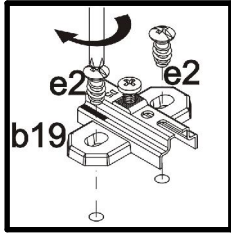
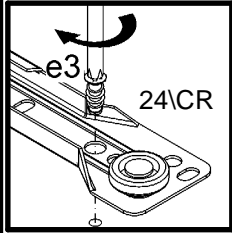
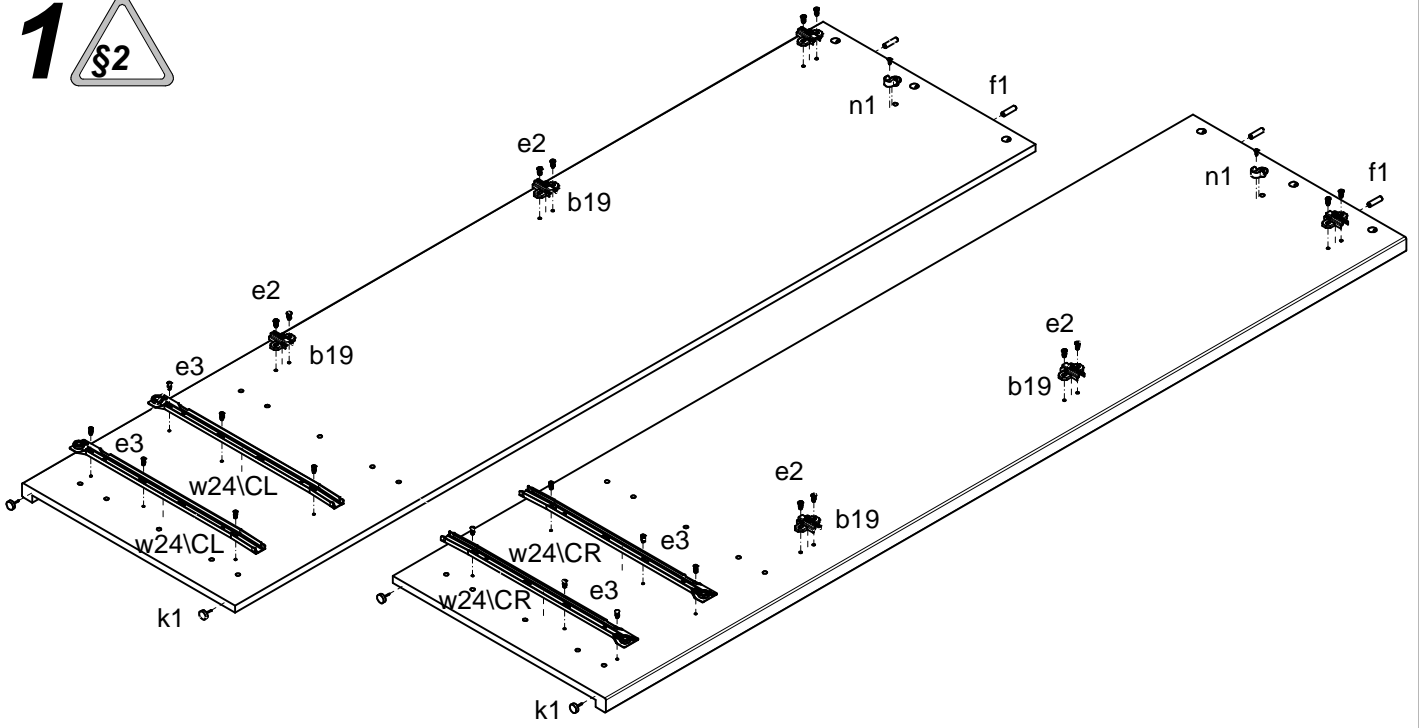
# S153-SZF2D2S

A	B	C	D	
1	S153-001	733	188	3/3
2	S153-002	733	188	3/3
3	S153-005	1484	365	3/3
4	S153-107	1948	519	1/3
5	S153-108	1948	519	1/3
6	S153-203	800	523	1/3
7	S153-306	738	503	1/3
8	S153-307	738	484	1/3
9	S153-571	186	100	2/3
10	S153-572	68	100	2/3
11	S153-573	1482	49	2/3
12	S153-907	700	448	1/3
13	S153-914	1912	763	1/3
14	ZS2-515	450	120	1/3
15	ZS2-516	450	120	1/3
16	ZS2-5583	689	120	1/3
17	dr-733	733	22	1/3

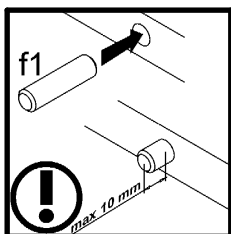
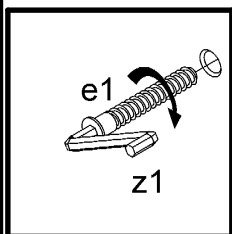
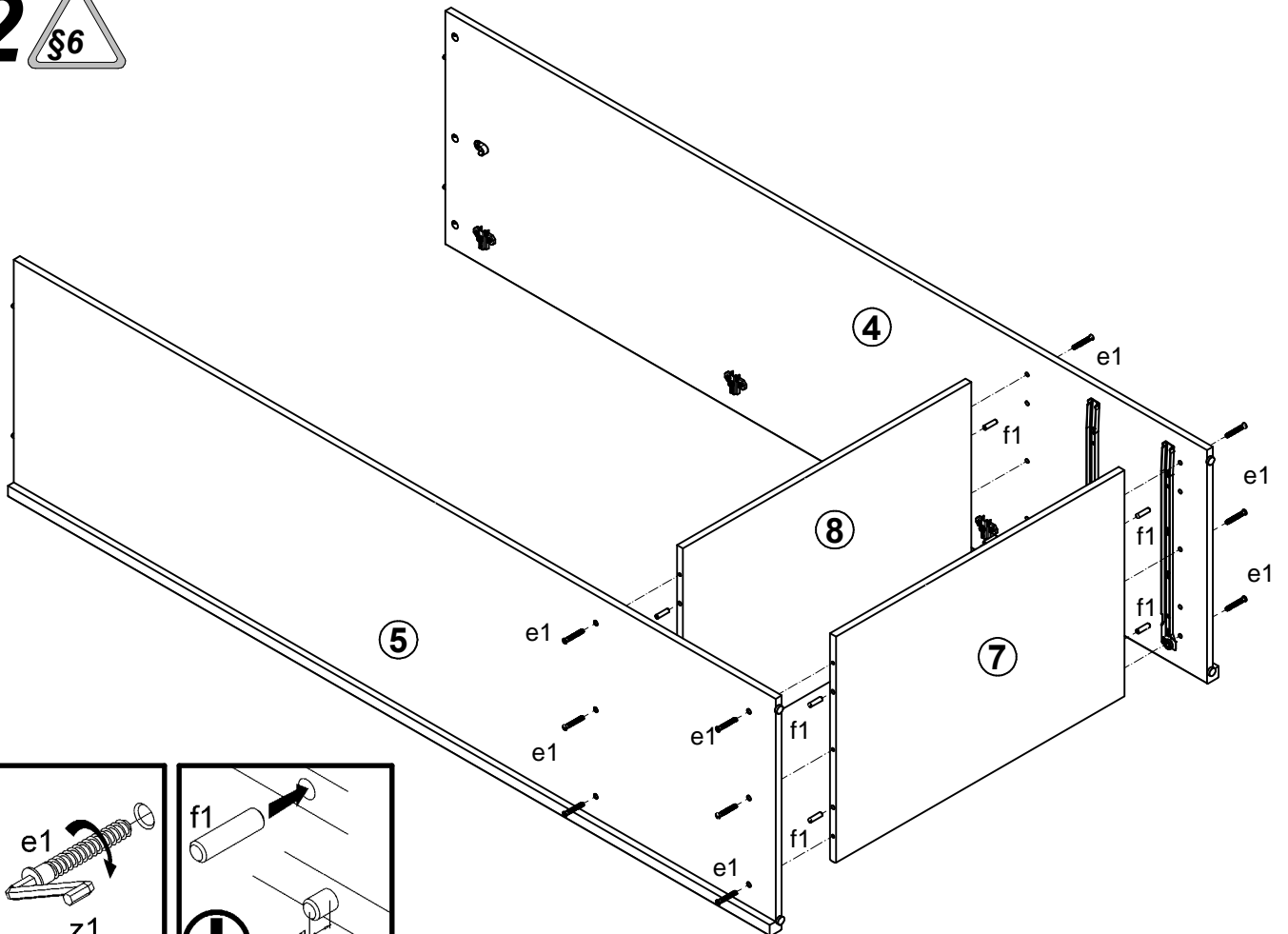


6x K16 a43	6x b19	12x e1 φ7x50 mm	8x e19 φ5x9 mm	12x e2 φ6,3x13 mm	12x e3 φ6x13 mm	12x f1 φ8x30 mm	8x f25 φ6,5x40 mm	4x k1
65x l1	2x n1	2x p1 φ3,5x13 mm	4x p25 φ3,5x16 mm	12x p51 φ3,5x15 mm	14x p60 φ4x22 mm	6x r1 φ1,5x12mm #16	8x r15 φ12x10,5mm #12	14x r42
2x t37 433 mm	2x w24\CL 450 mm	2x w24\CR 450 mm	2x w24\DL 450 mm	2x w24\DR 450 mm	1x z1	1x n26\1	1x p38 φ3,5x16 mm	12x s1
6x s2 ø16								

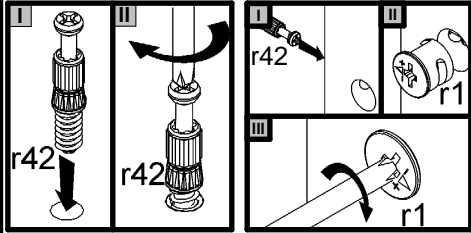
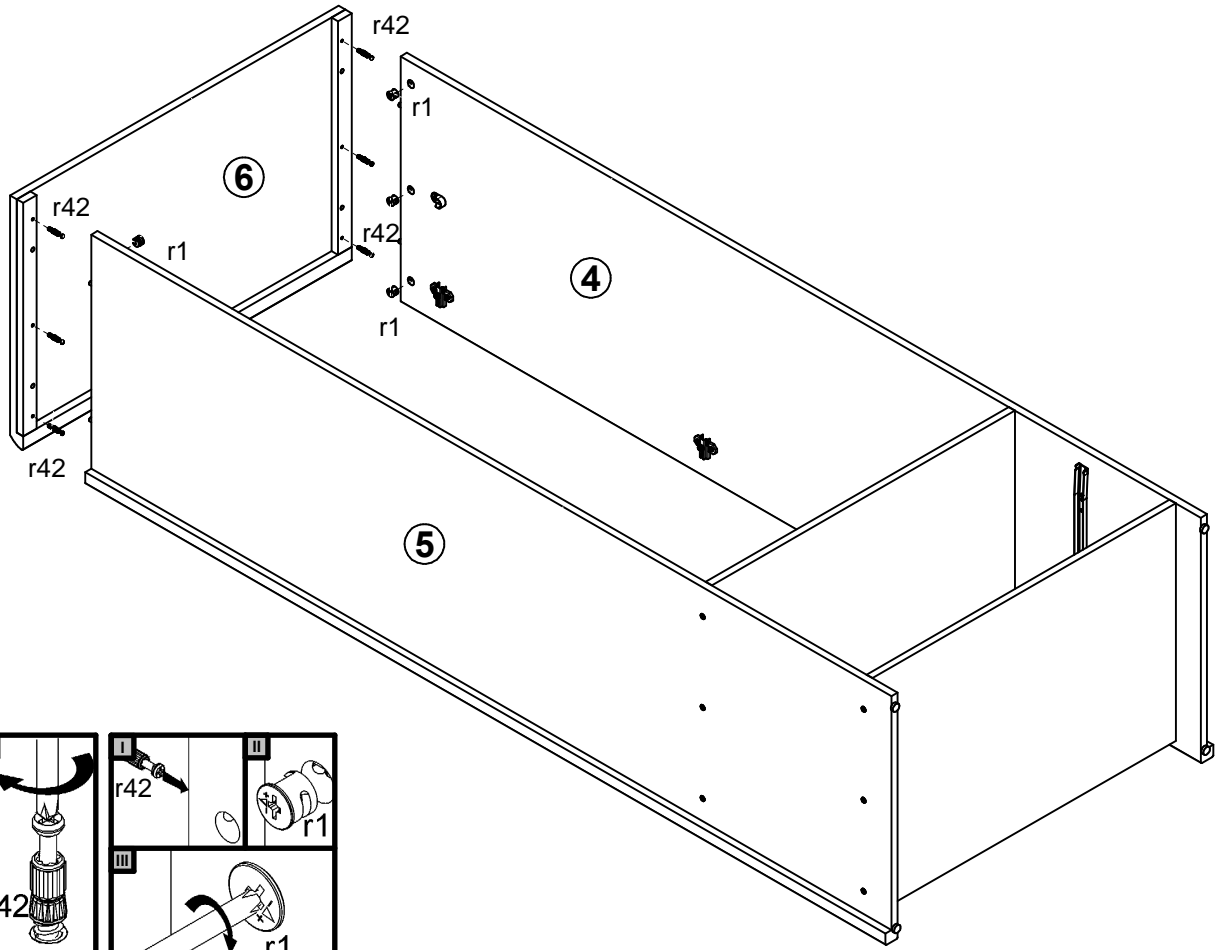
# 1



# 2



# 3



# 4

