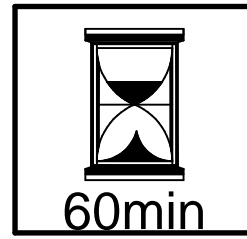
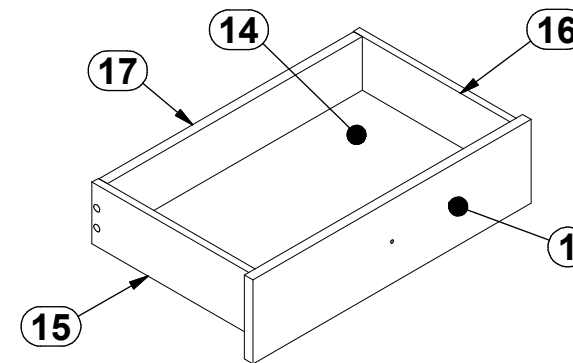
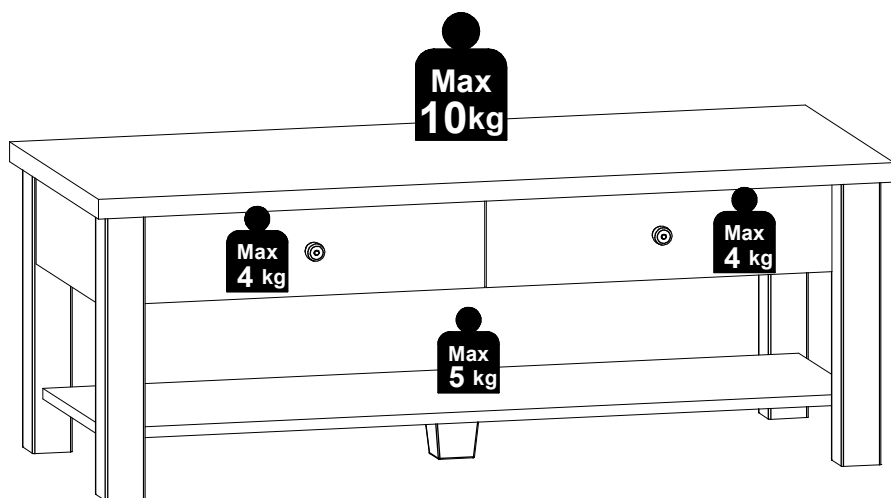
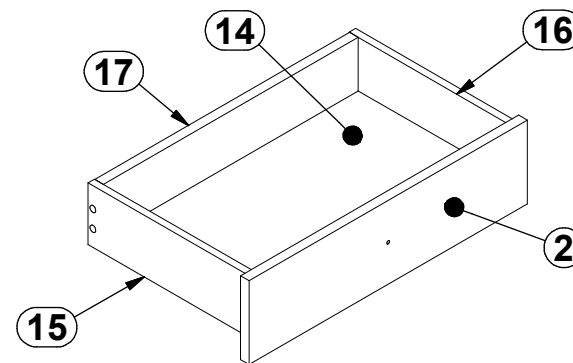
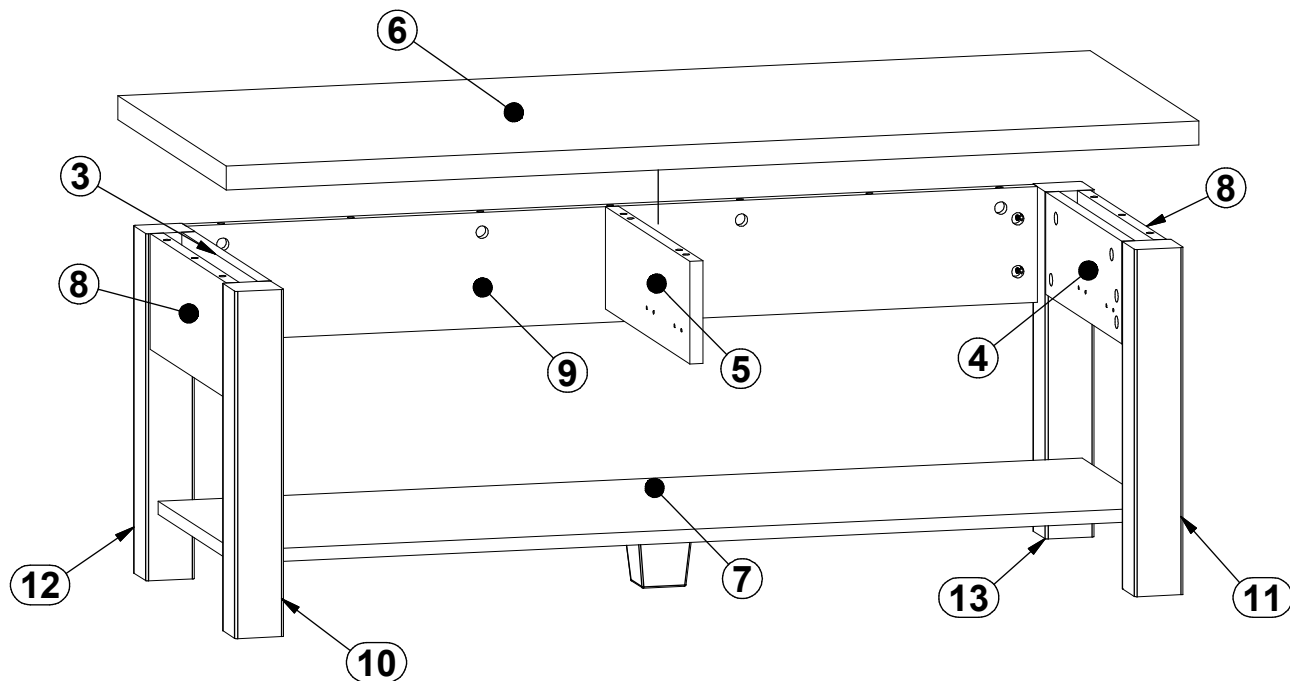


A	B	C (mm)		D
1	S256-035	136	521	1/1
2	S256-036	136	521	1/1
3	S256-185	124	350	1/1
4	S256-186	124	350	1/1
5	S256-187	124	389	1/1
6	S256-225	1200	500	1/1
7	S256-380	1140	350	1/1
8	S256-412	350	140	1/1
9	S256-413	1050	140	1/1
10	S256-5577	420	60	1/1
11	S256-5578	420	60	1/1
12	S256-5579	420	60	1/1
13	S256-5580	420	60	1/1
14	WSP-9115	412	358	1/1
15	WSQ2-503	300	100	1/1
16	WSQ2-504	300	100	1/1
17	WTQ-5189	695	127	1/1



2x c390	16x Ø6x13 mm e3	21x Ø6x30 mm f1	8x Ø6,5x40 mm f25	5x 30x30 mm k113	1x k127	2x Ø4x30 mm p9	1x Ø4x40 mm p10	2x Ø3,5x16 mm p25	2x Ø3,5x10 mm p35	8x Ø3,5x16 mm p38	4x Ø2,9x16 mm p55	26x Ø15x12 mm #16 r1
8x Ø12x10,5 mm #12 r15	34x r42	2x 300 mm t25	2x 300mm w125L	2x 300mm w125P								



A S256-LAW2S/4/12

1

max 10 mm

max 10 mm

3

2x f1
Ø8x30 mm

2x r1
Ø15x12 mm #16

5

w125\L

e3

f1

180°

w125\P

- 8x e3
Ø6x13 mm
- 1x w125\P
300mm
- 1x w125\L
300mm
- 2x f1
Ø8x30 mm
- 2x r1
Ø15x12 mm #16

7

1x k127

1x p10
Ø4x40 mm

4x r1
Ø15x12 mm #16

max 10 mm

4

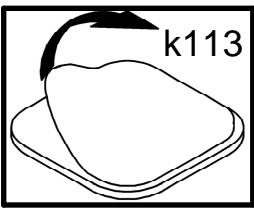
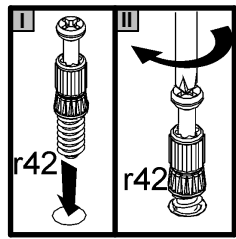
2x f1
Ø8x30 mm

2x r1
Ø15x12 mm #16

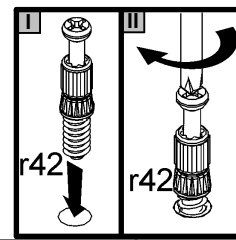
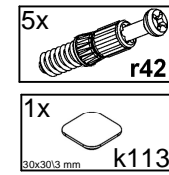
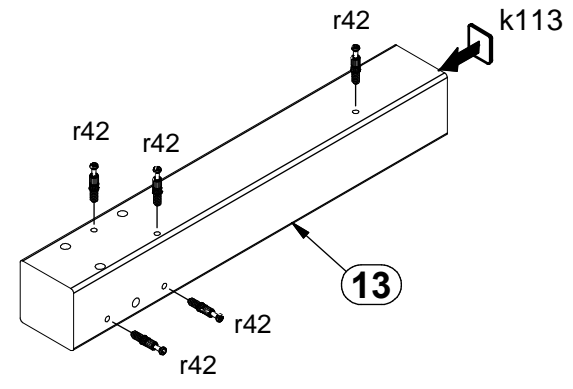
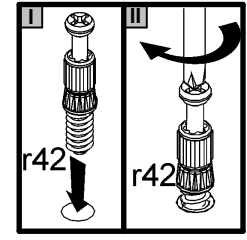
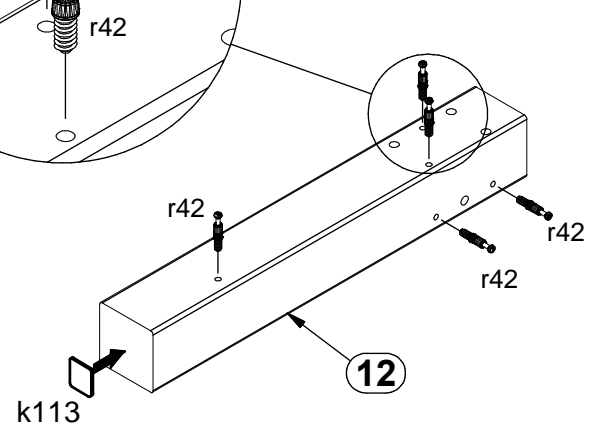
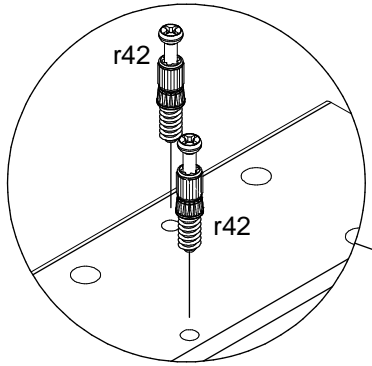
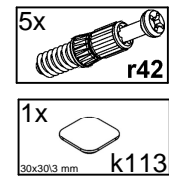
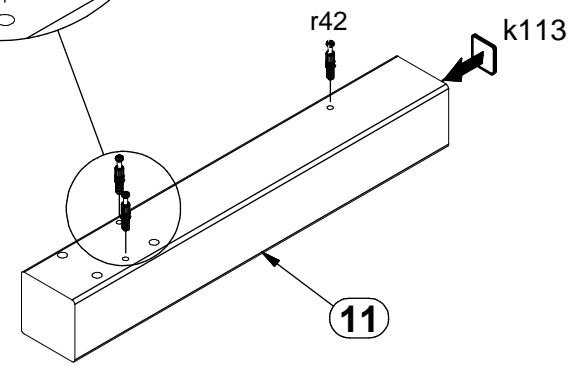
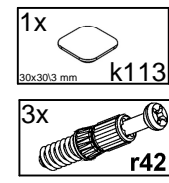
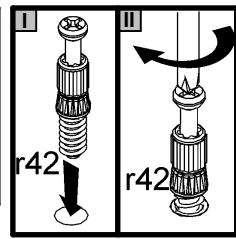
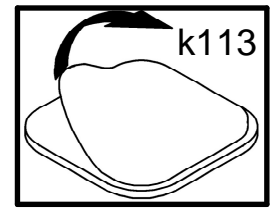
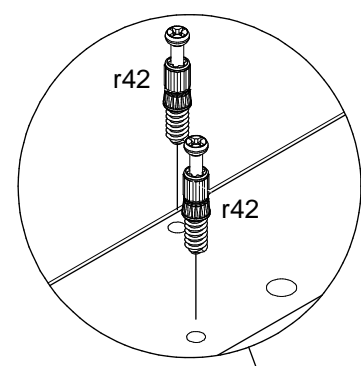
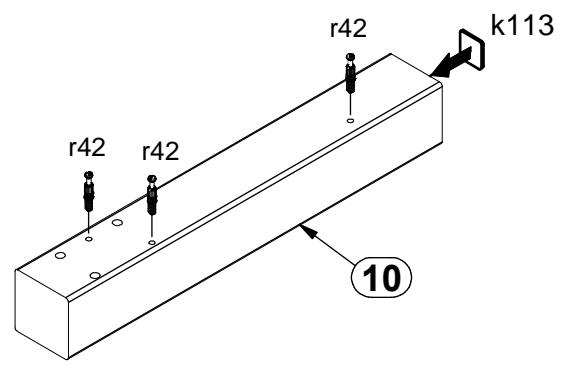
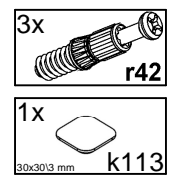
max 10 mm

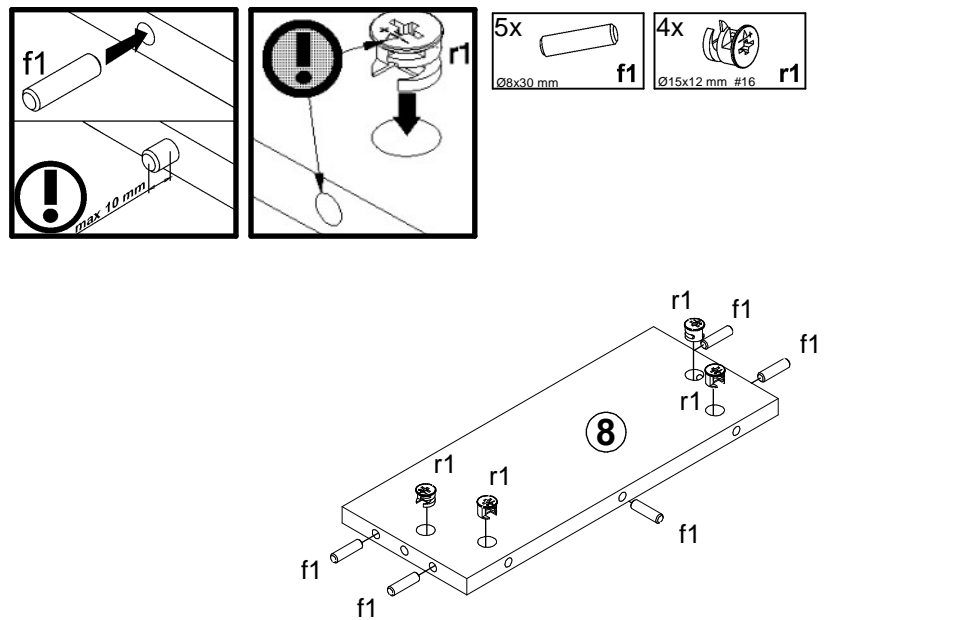
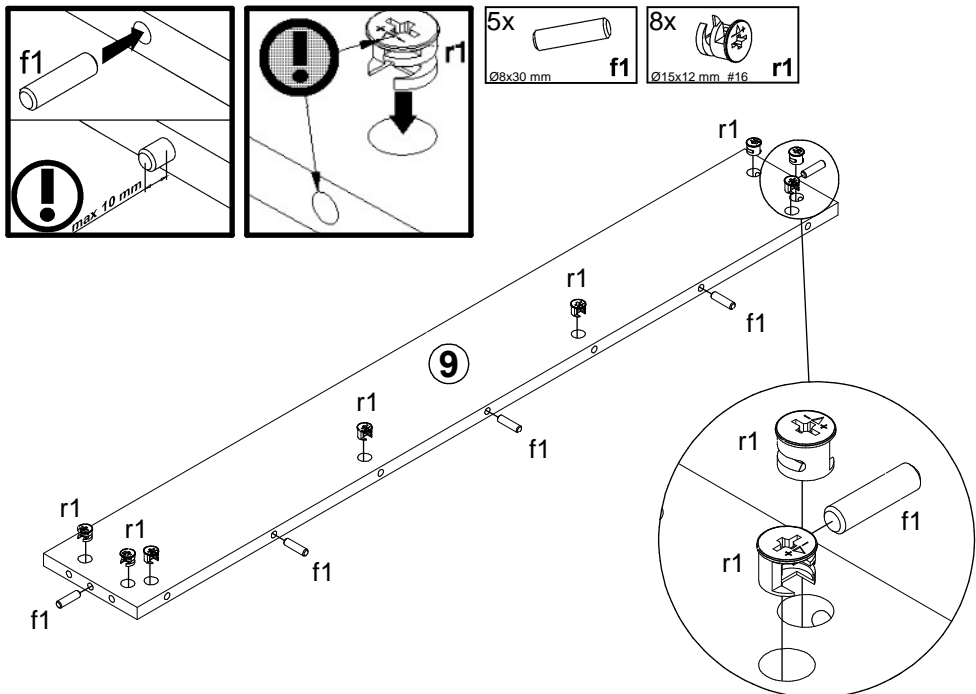
A

S256-LAW2S/4/12

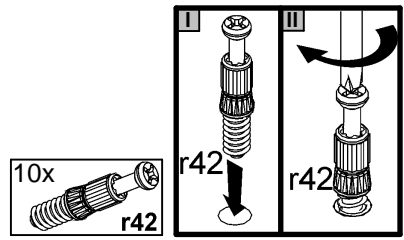
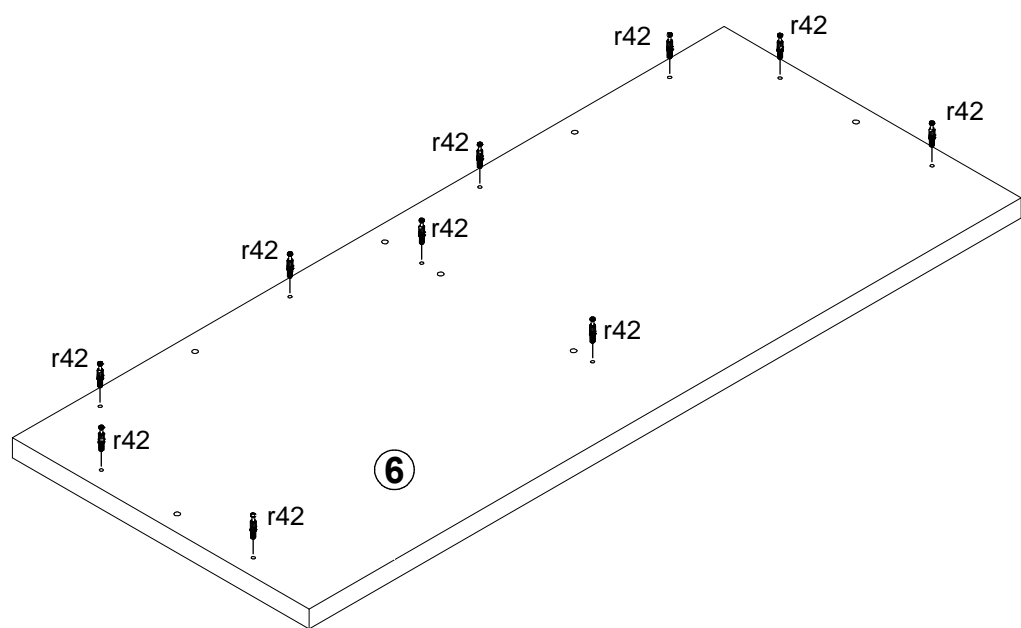


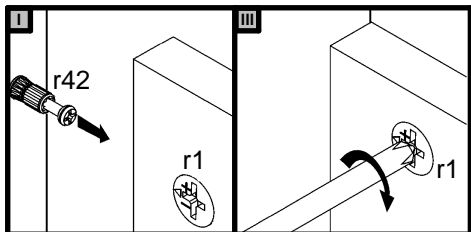
1



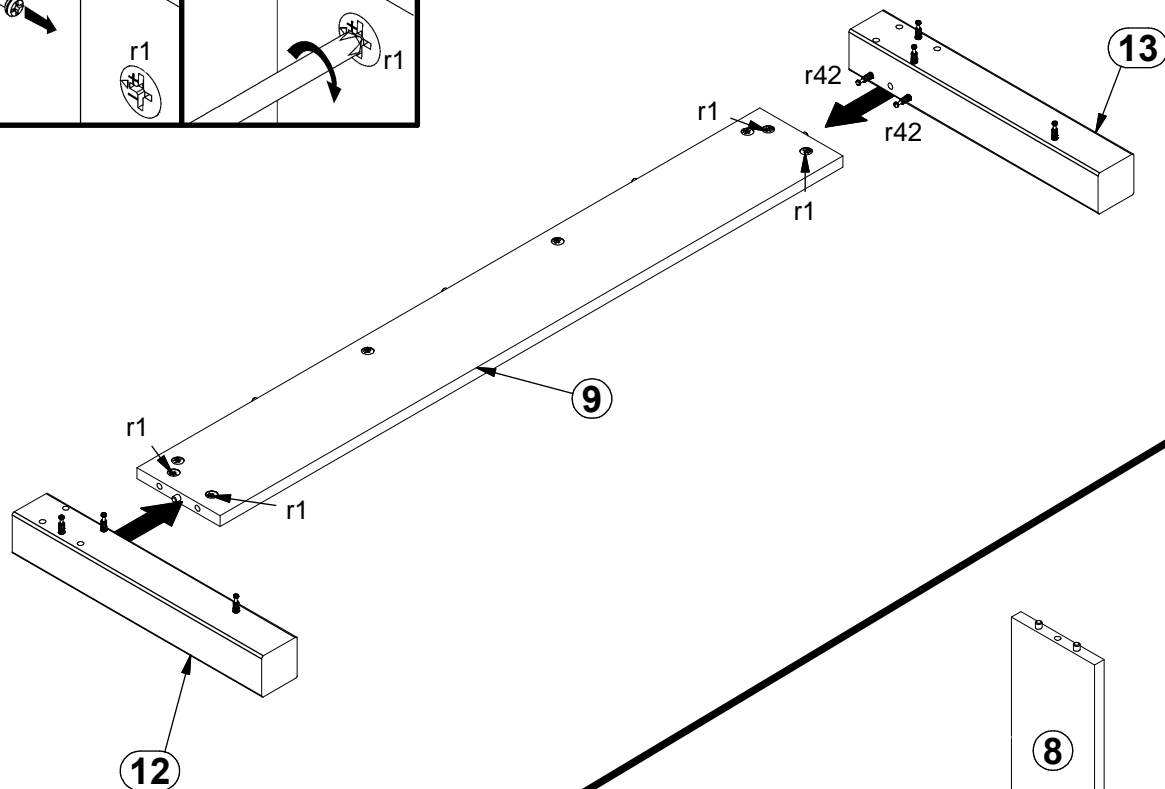


1

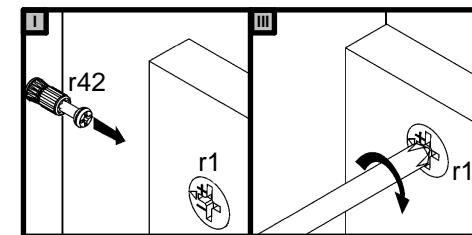
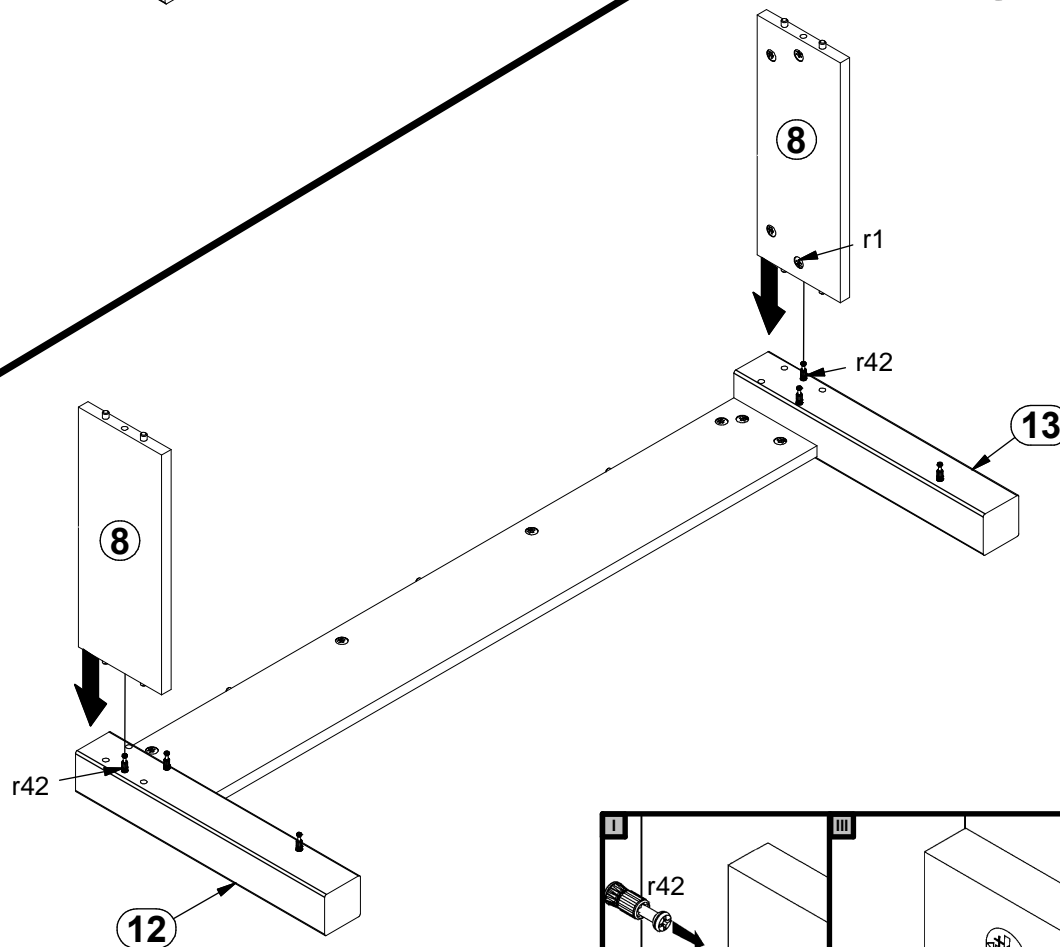


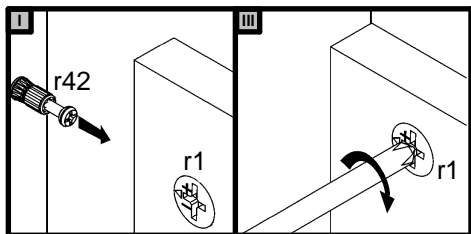


2

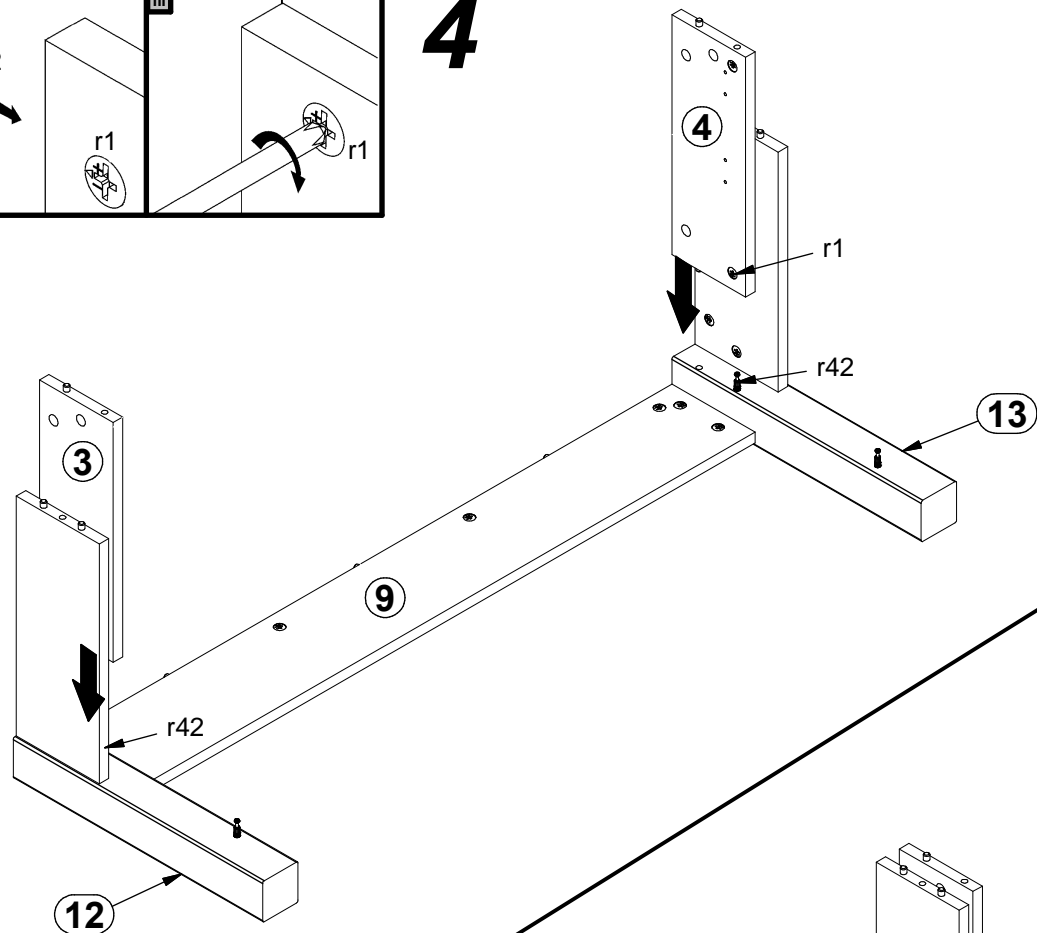


3

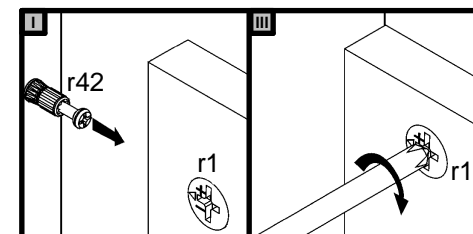
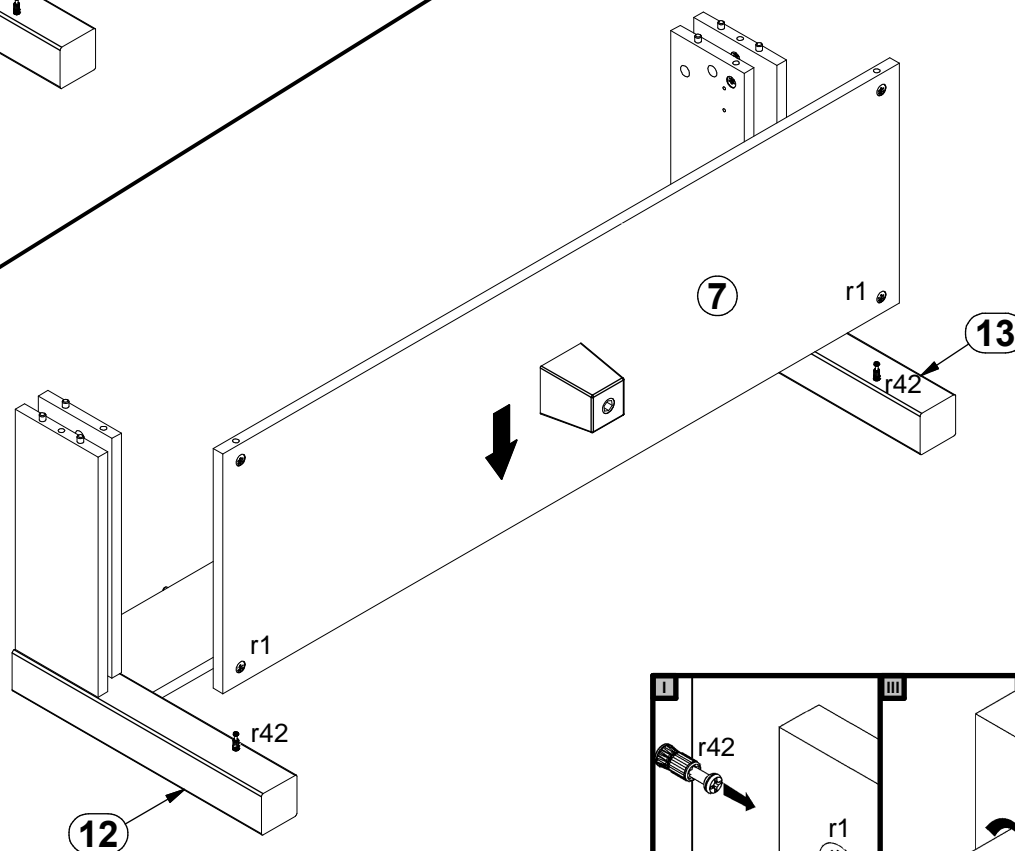


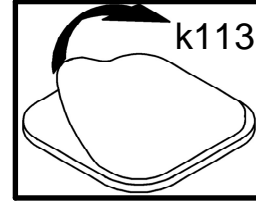
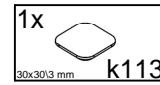
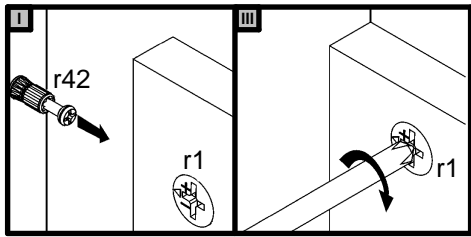


4



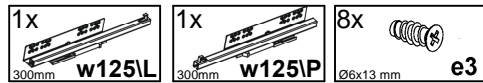
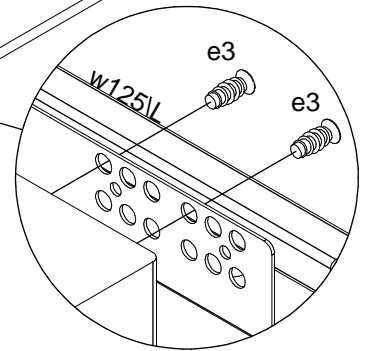
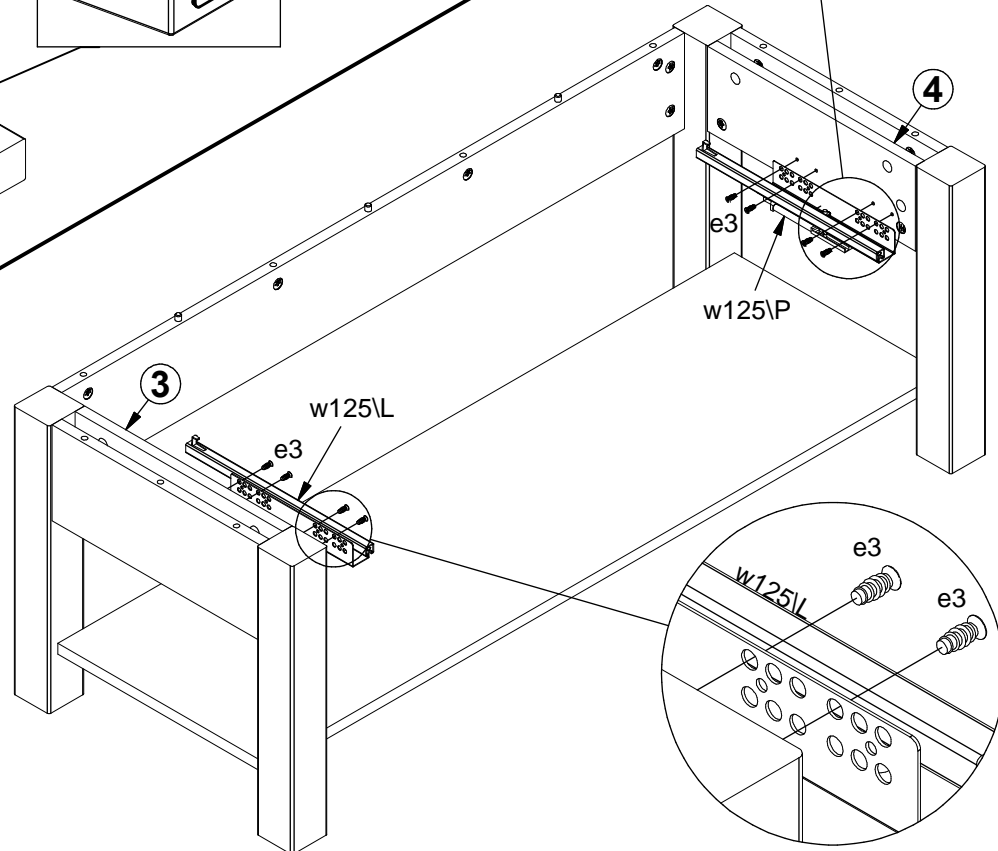
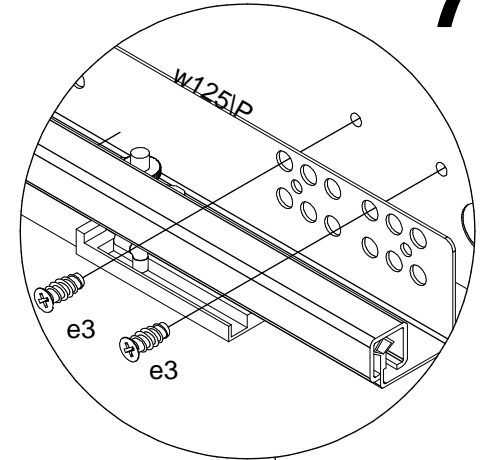
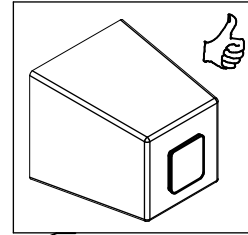
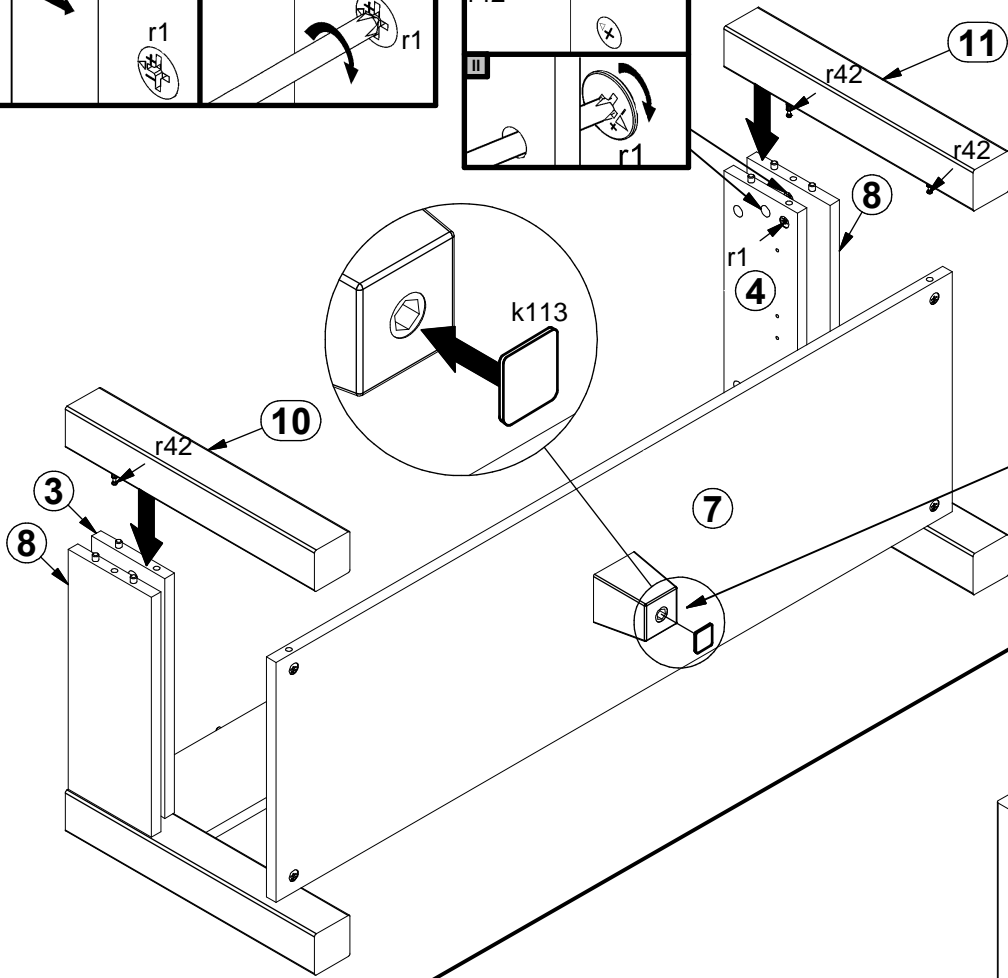
5



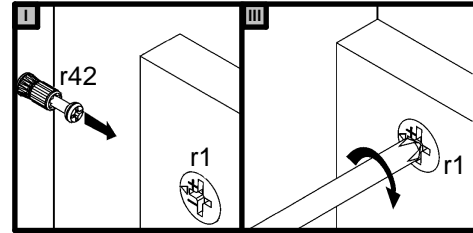
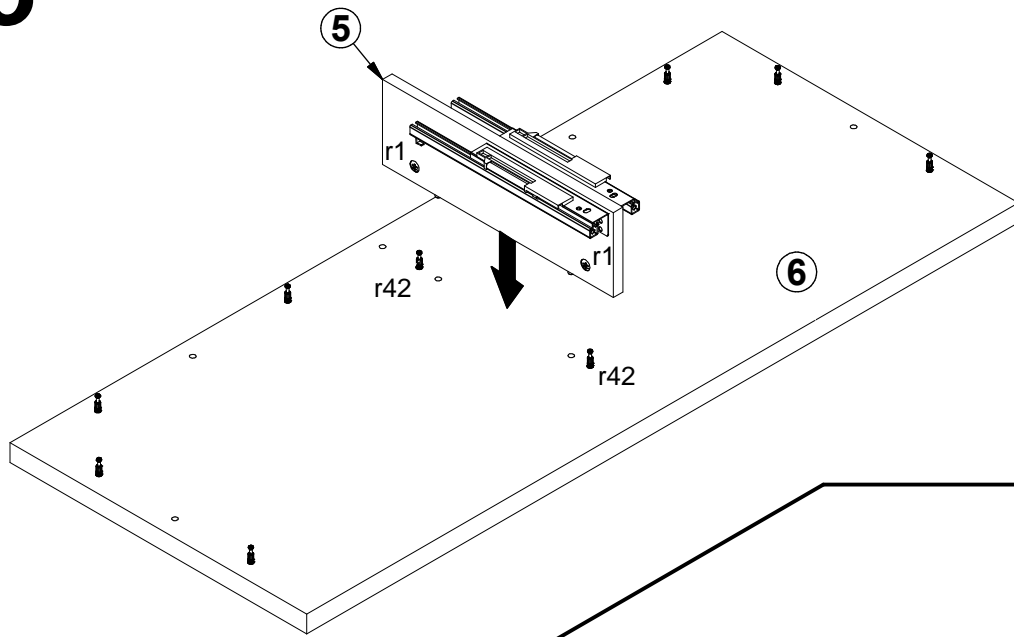


6

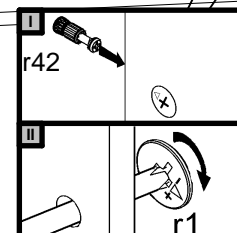
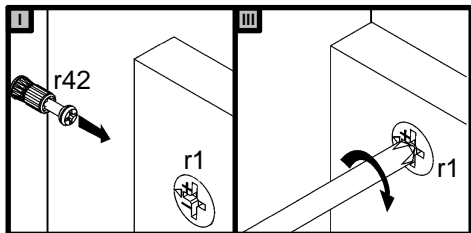
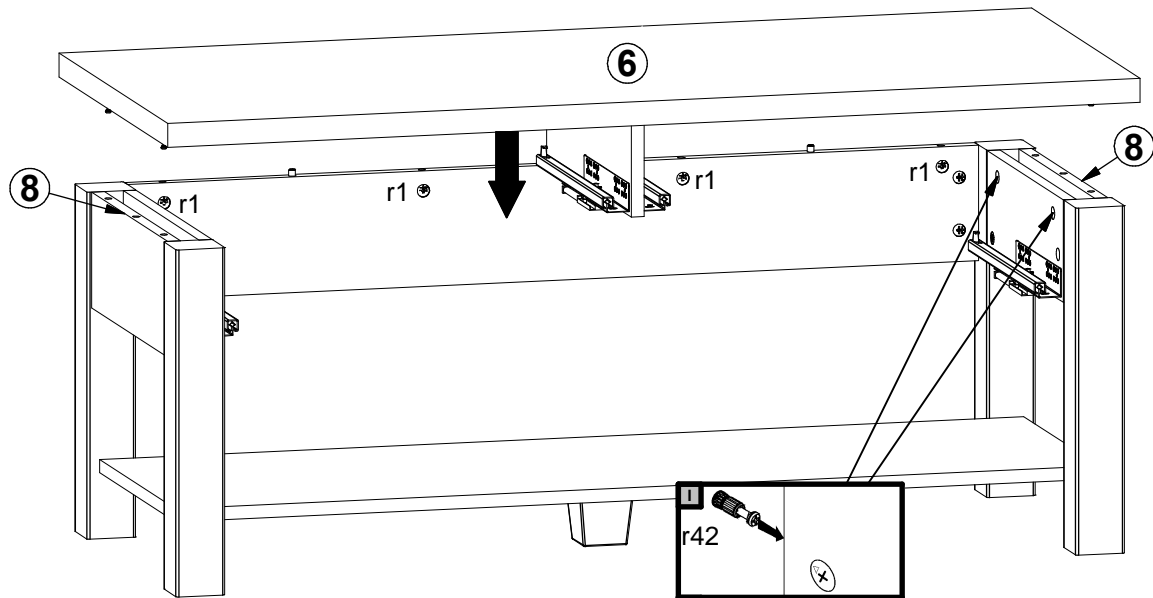
7

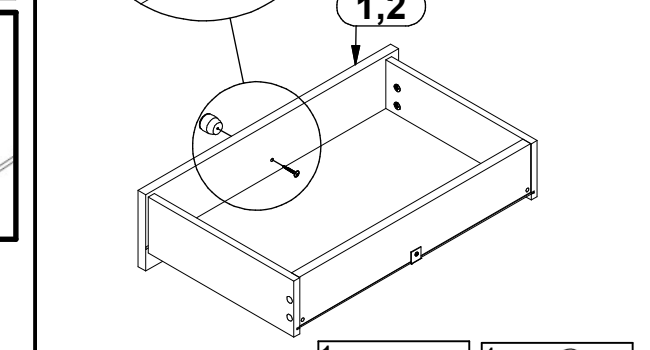
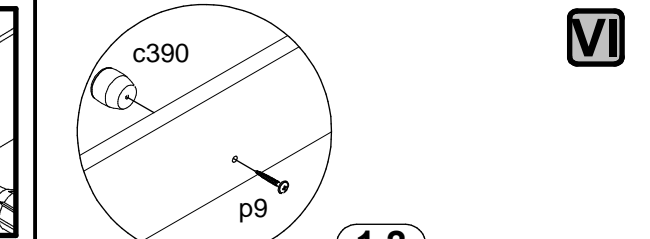
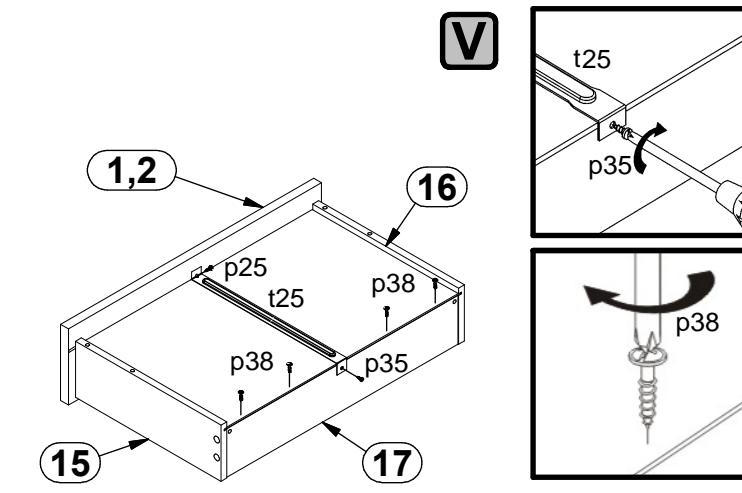
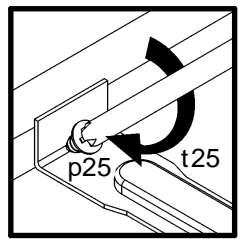
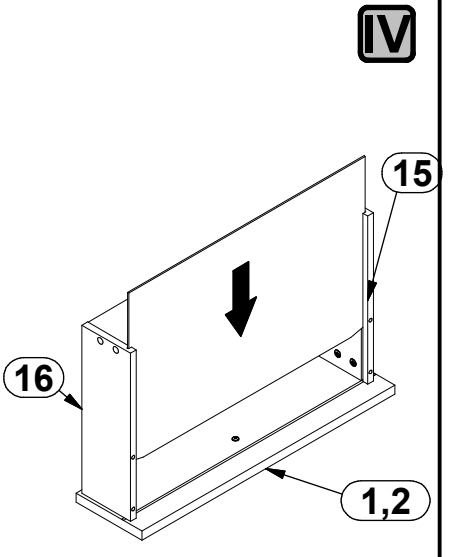
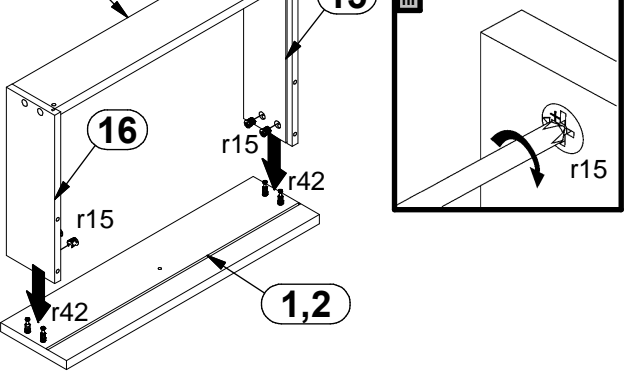
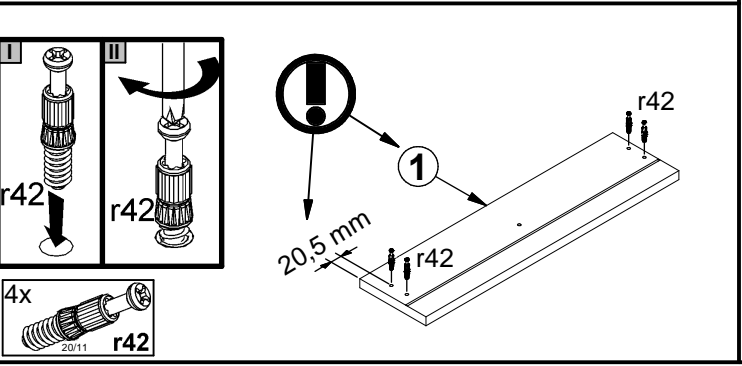
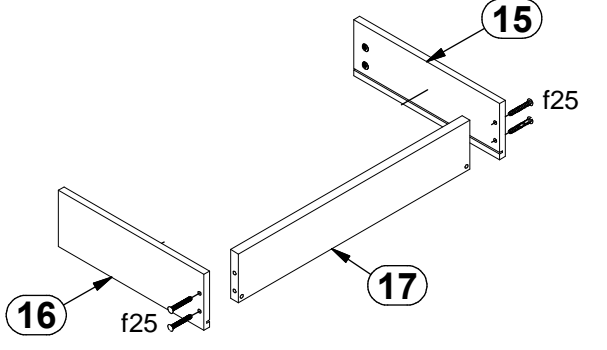
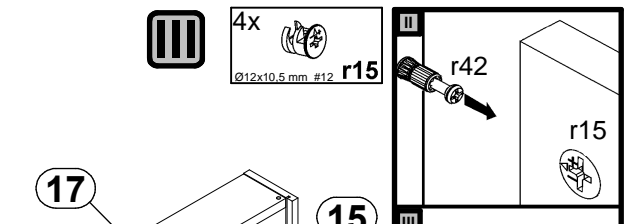
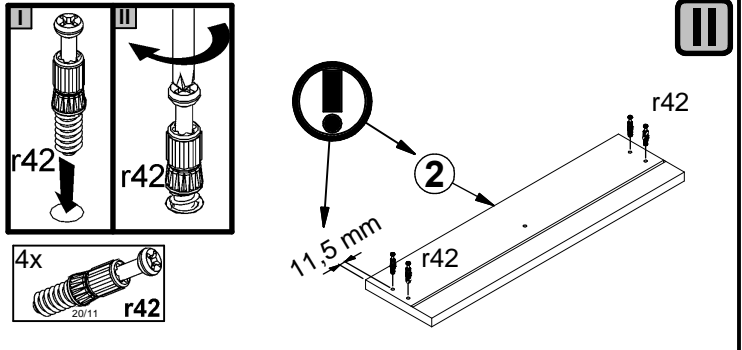
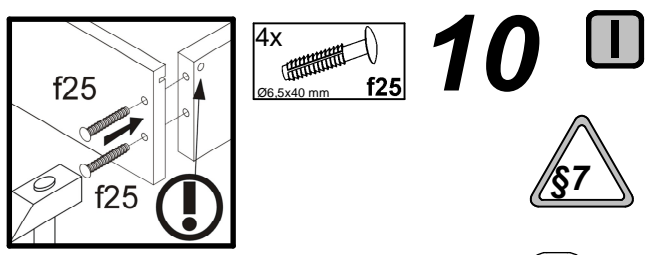


8



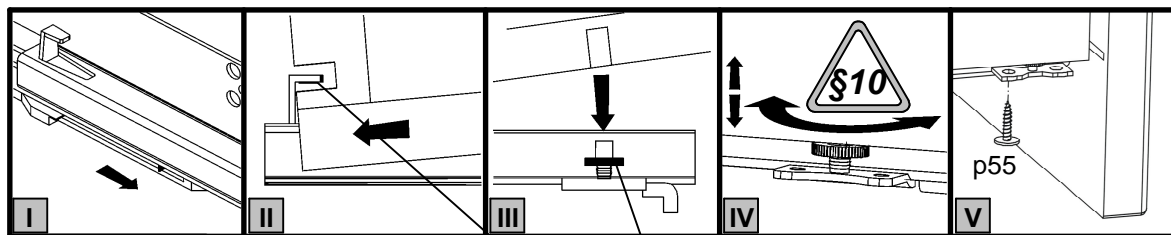
9





- 4x Ø3,5x16 mm p38
- 1x 300 mm t25
- 1x Ø3,5x16 mm p25
- 1x Ø3,5x10 mm p35

- 1x Ø4x30 mm p9
- 1x c390



11

