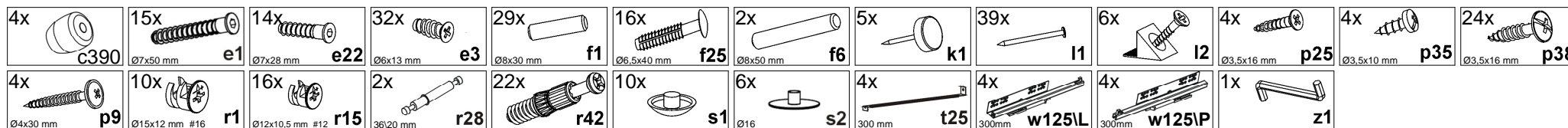
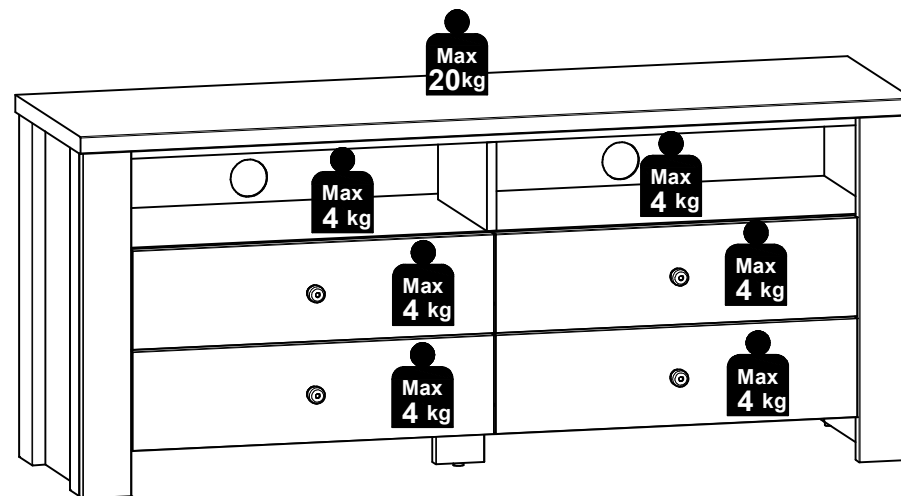
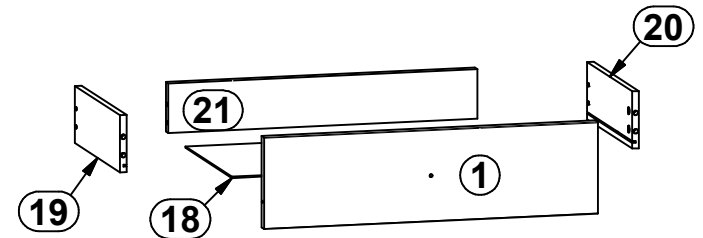
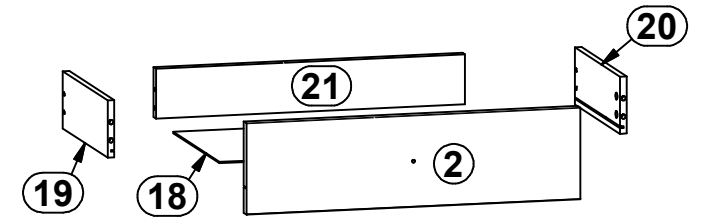
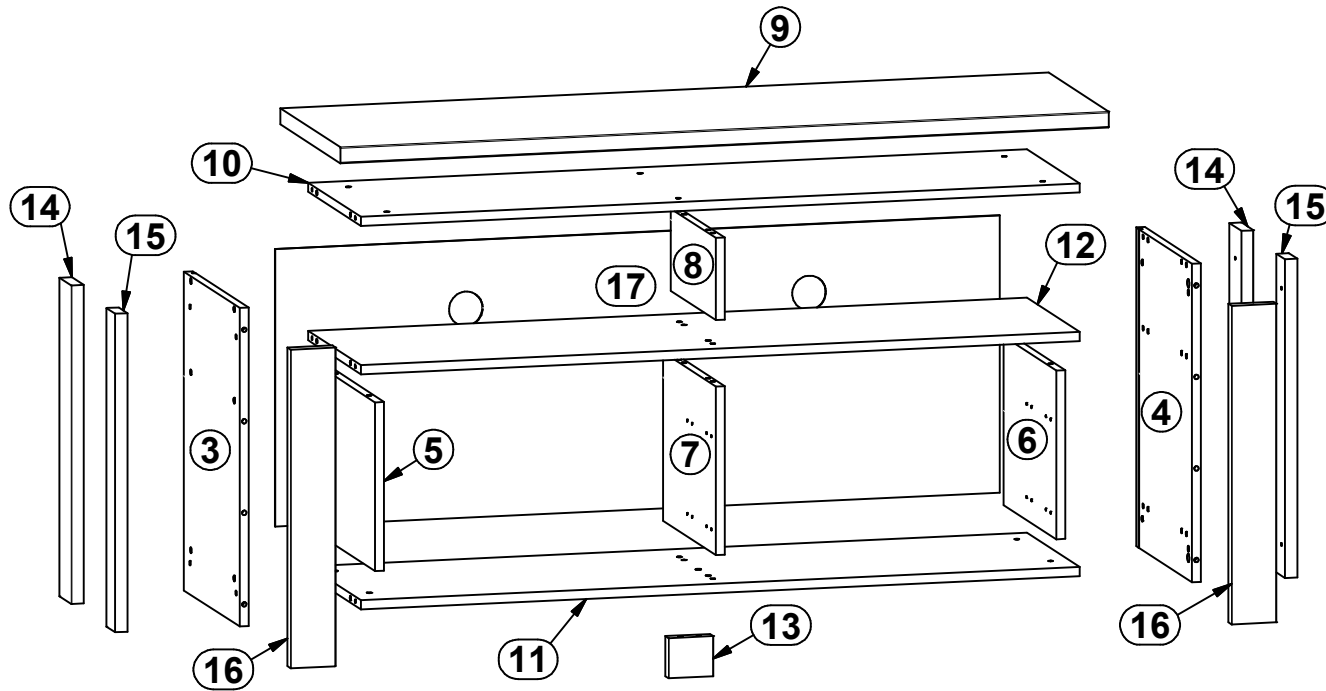
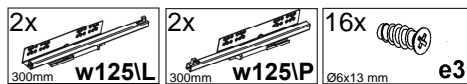
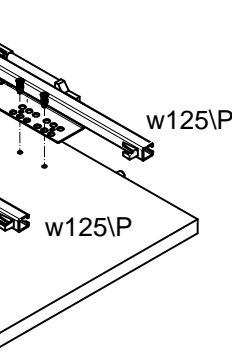
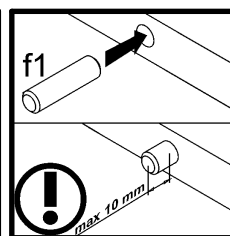
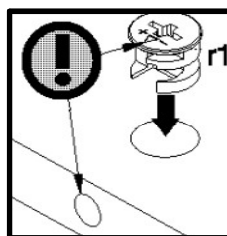
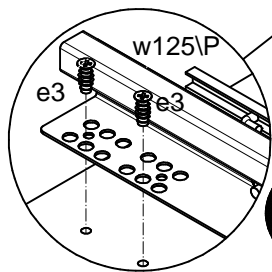
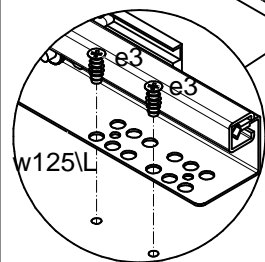
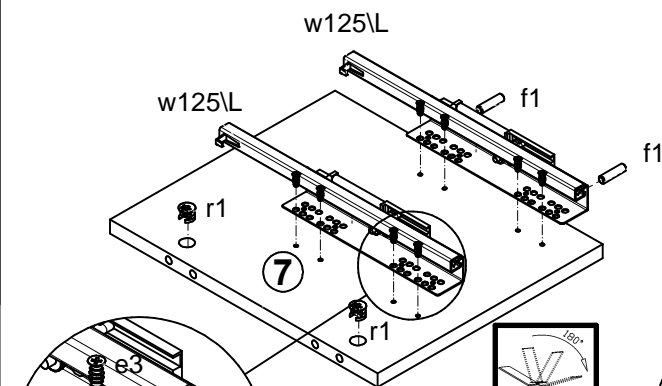
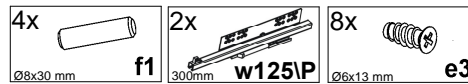
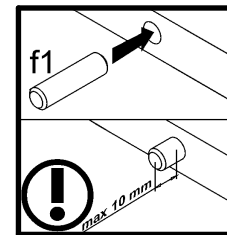
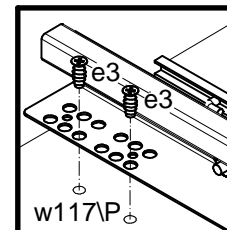
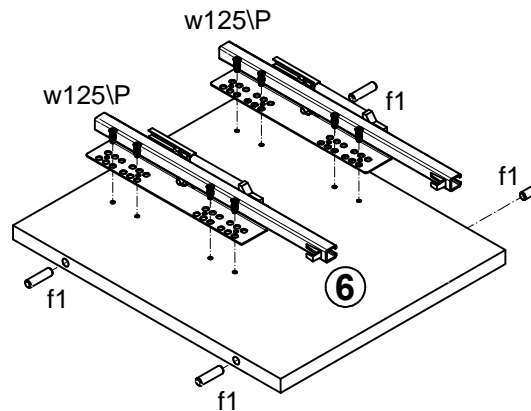
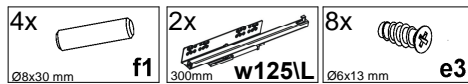
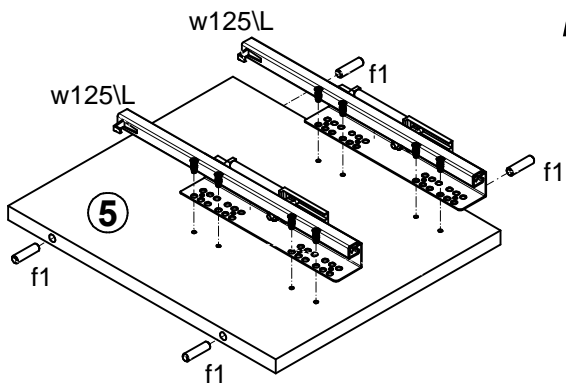
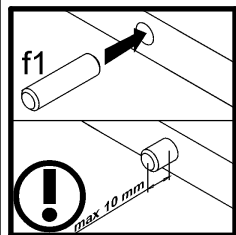
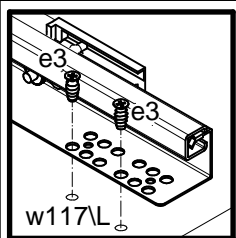


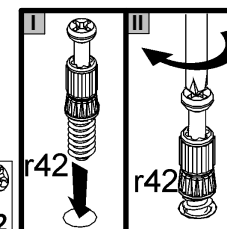
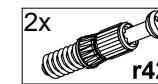
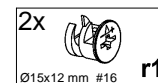
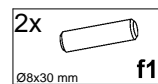
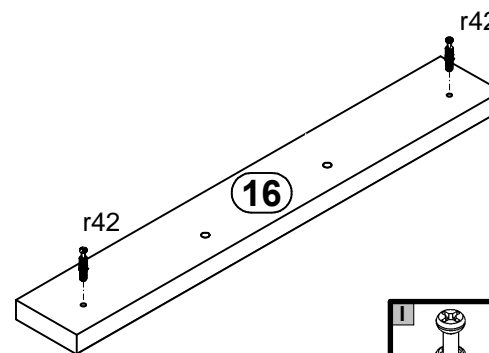
A	B	C (mm)		D
1	S214-013	595	160	1/2
2	S214-014	595	160	1/2
3	S214-123	557	371	1/2
4	S214-124	557	371	1/2
5	S214-113	295	351	2/2
6	S214-114	295	351	2/2
7	S214-127	295	351	2/2
8	S214-128	143,5	300	2/2
9	S214-204	1370	400	1/2
10	S214-319	1282	351	2/2
11	S214-320	1282	351	2/2
12	S214-321	1282	351	2/2
13	S214-5505	70	80	1/2
14	S214-5521	557	80	1/2
15	S214-5522	557	58,	1/2
16	S214-5523	557	80	1/2
17	S214-913	1292,	485,	1/2
18	S214-914	561,	308,	1/2
19	WSQ2-503	300	100	1/2
20	WSQ2-504	300	100	1/2
21	WTQ-5005	551	87	1/2



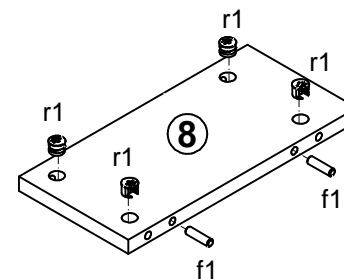
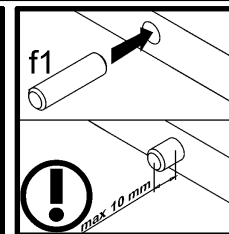
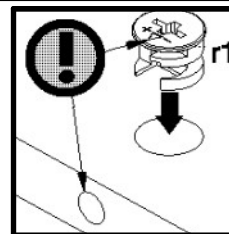
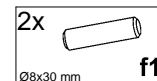
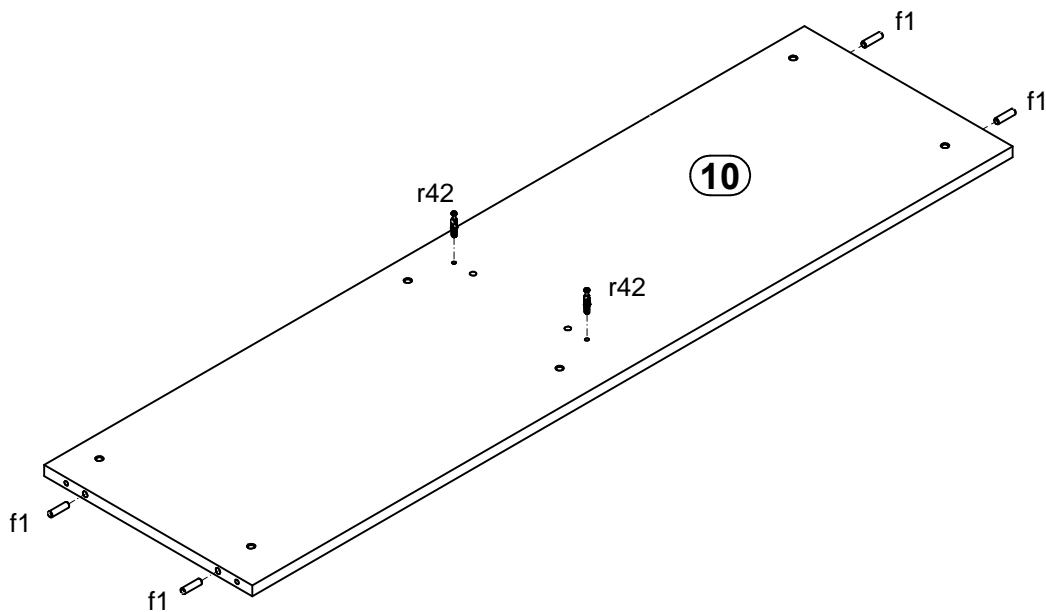
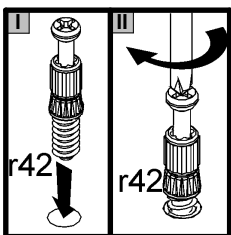
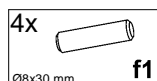
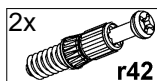
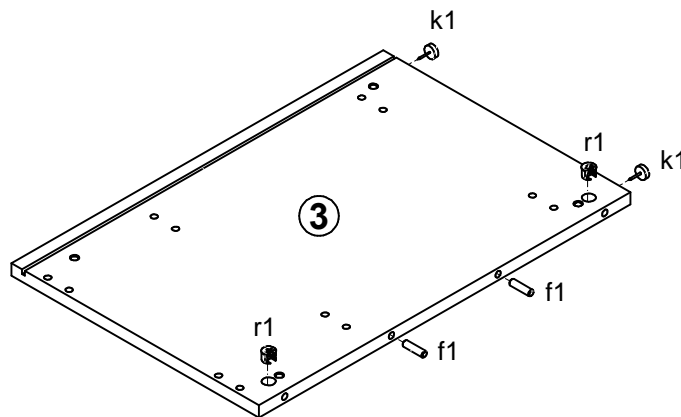
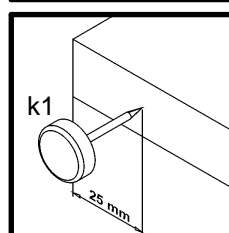
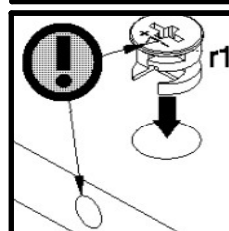
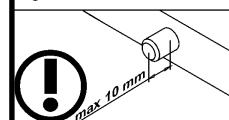
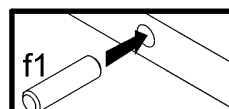
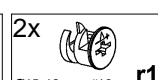
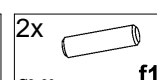
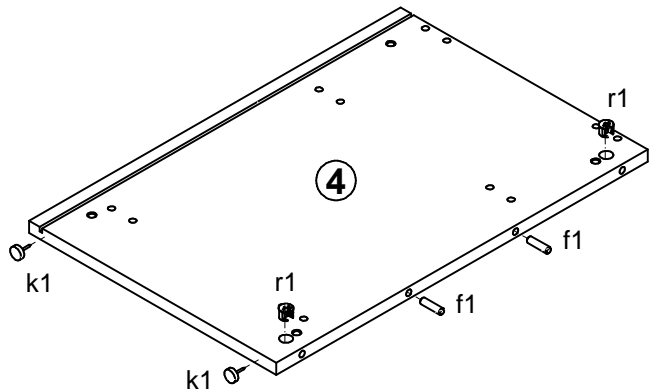
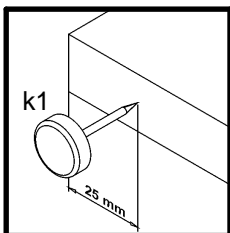
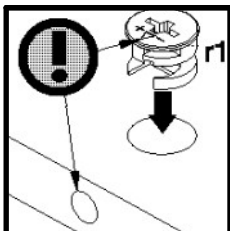
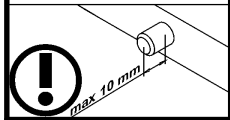
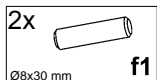
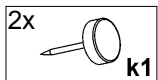
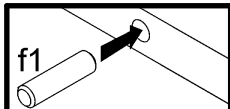




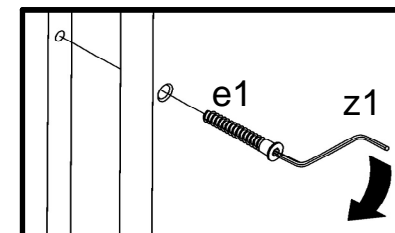
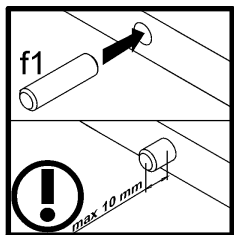
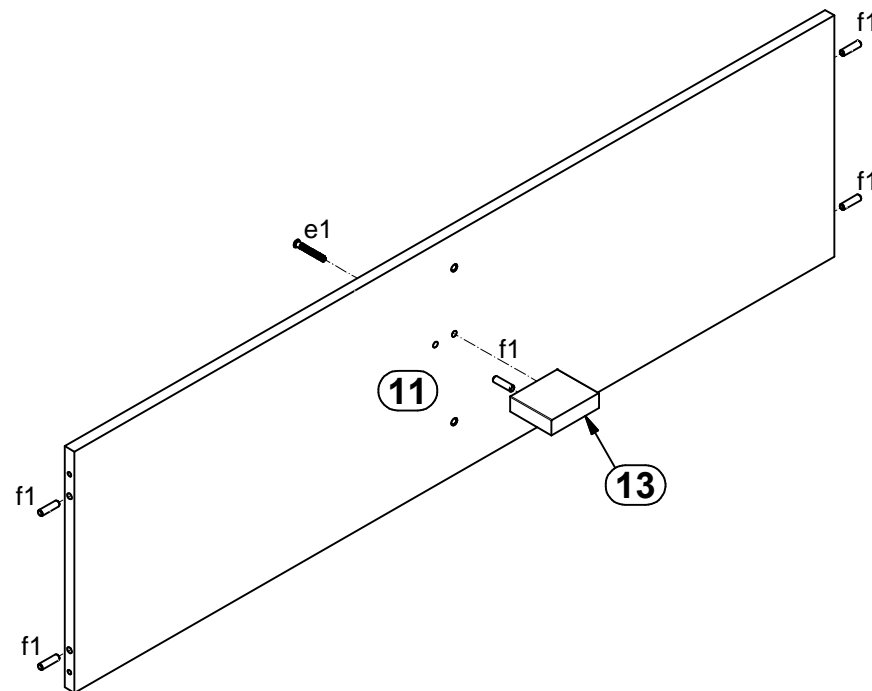
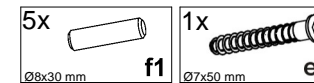
2x



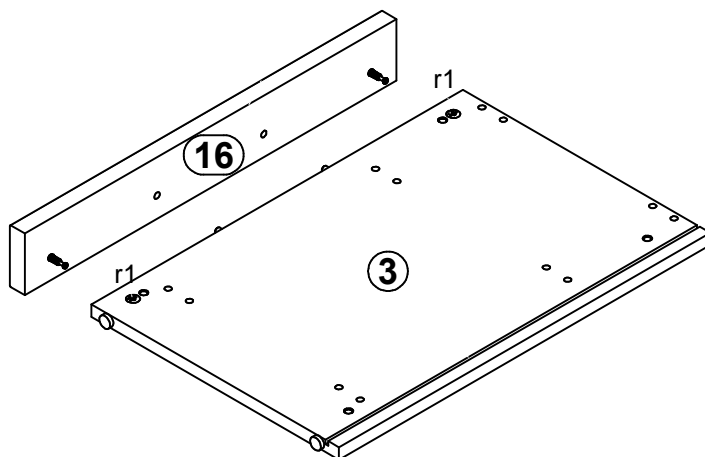
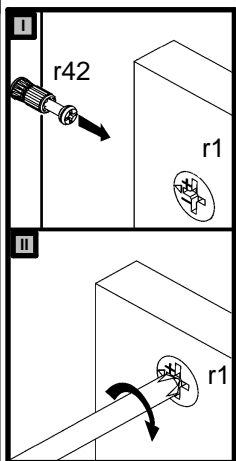
1



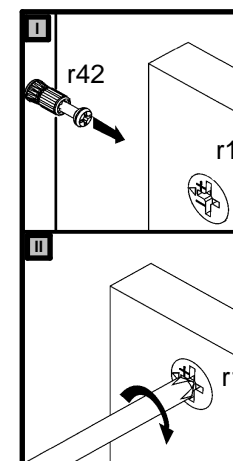
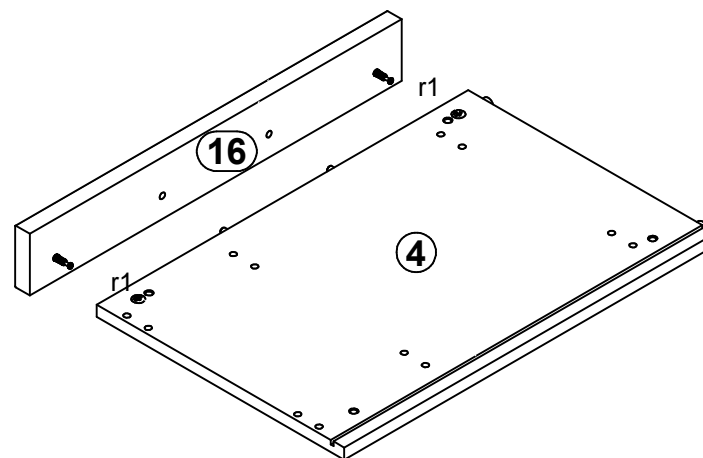
2 

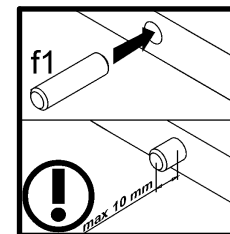
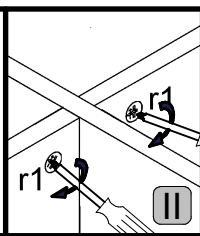
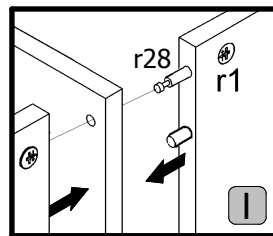
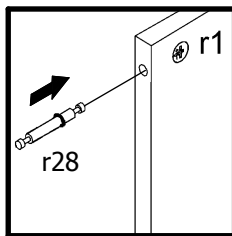
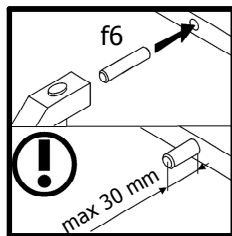


3

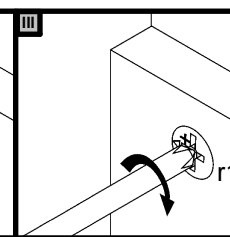
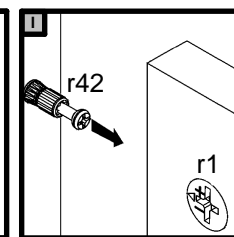
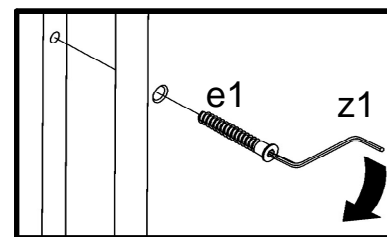
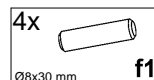
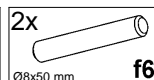
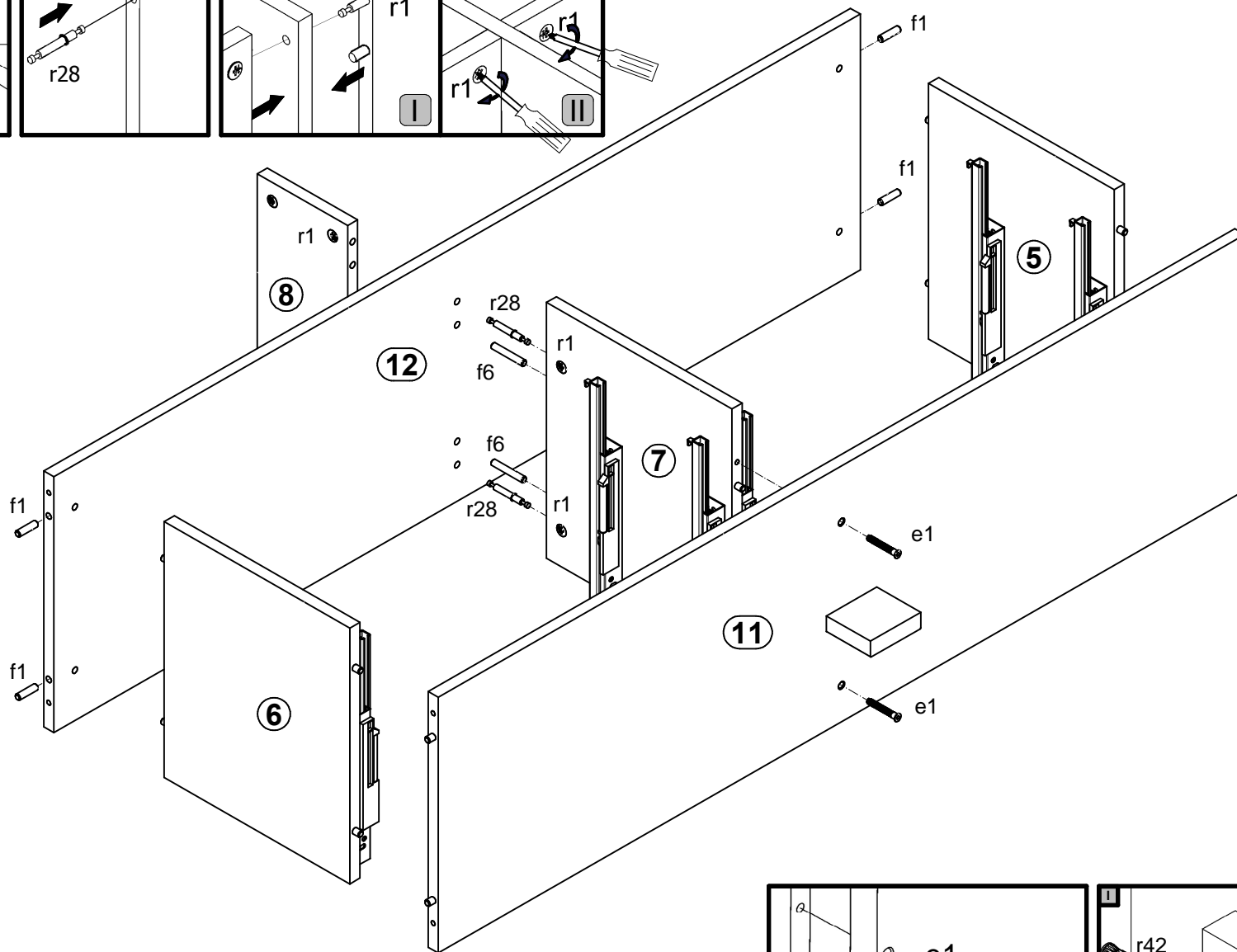


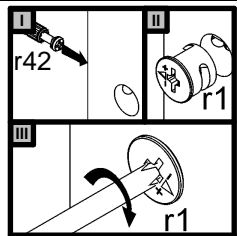
4





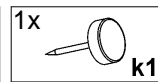
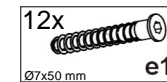
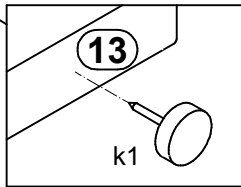
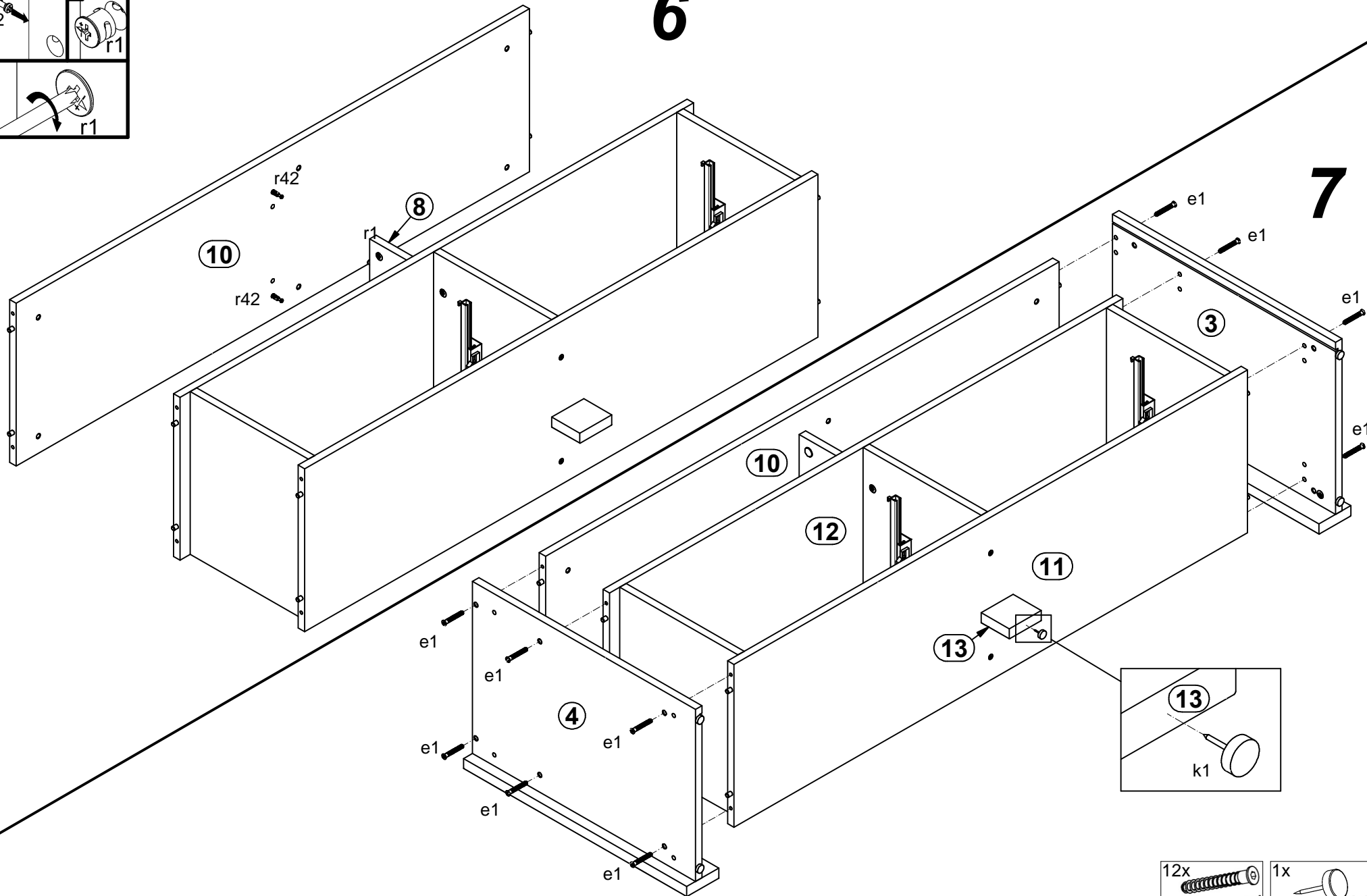
5

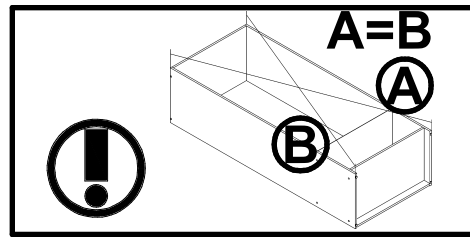
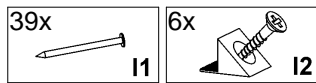
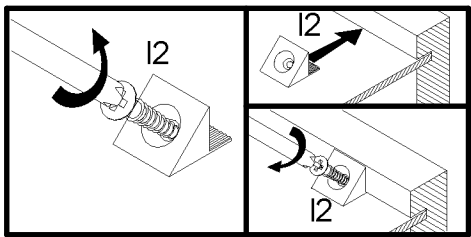
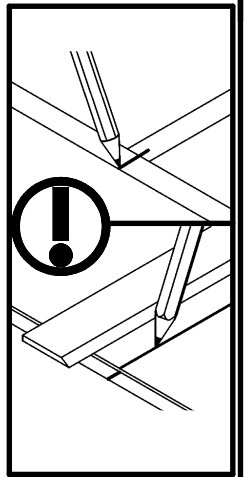
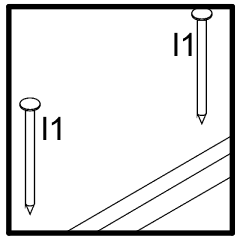
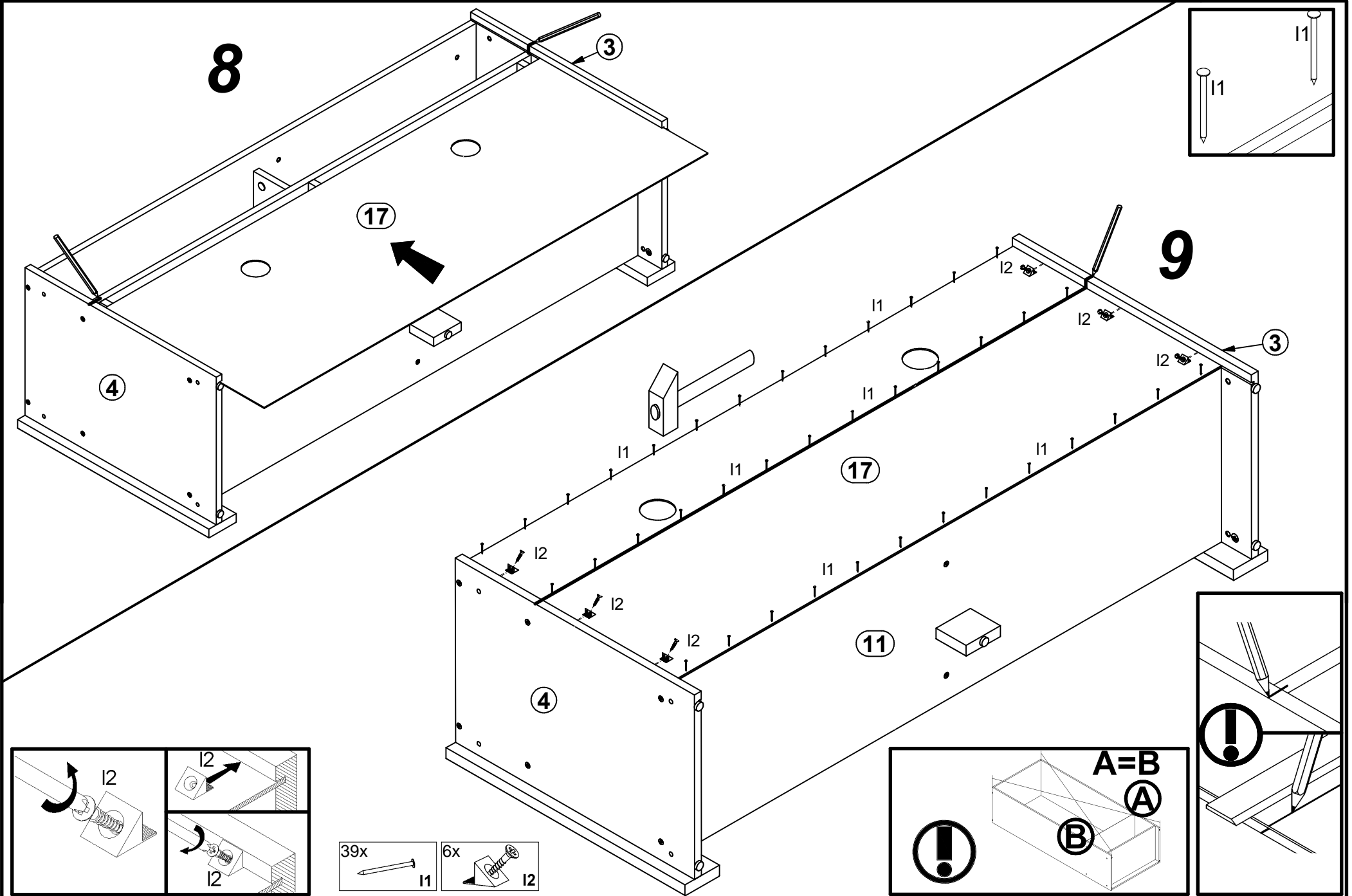




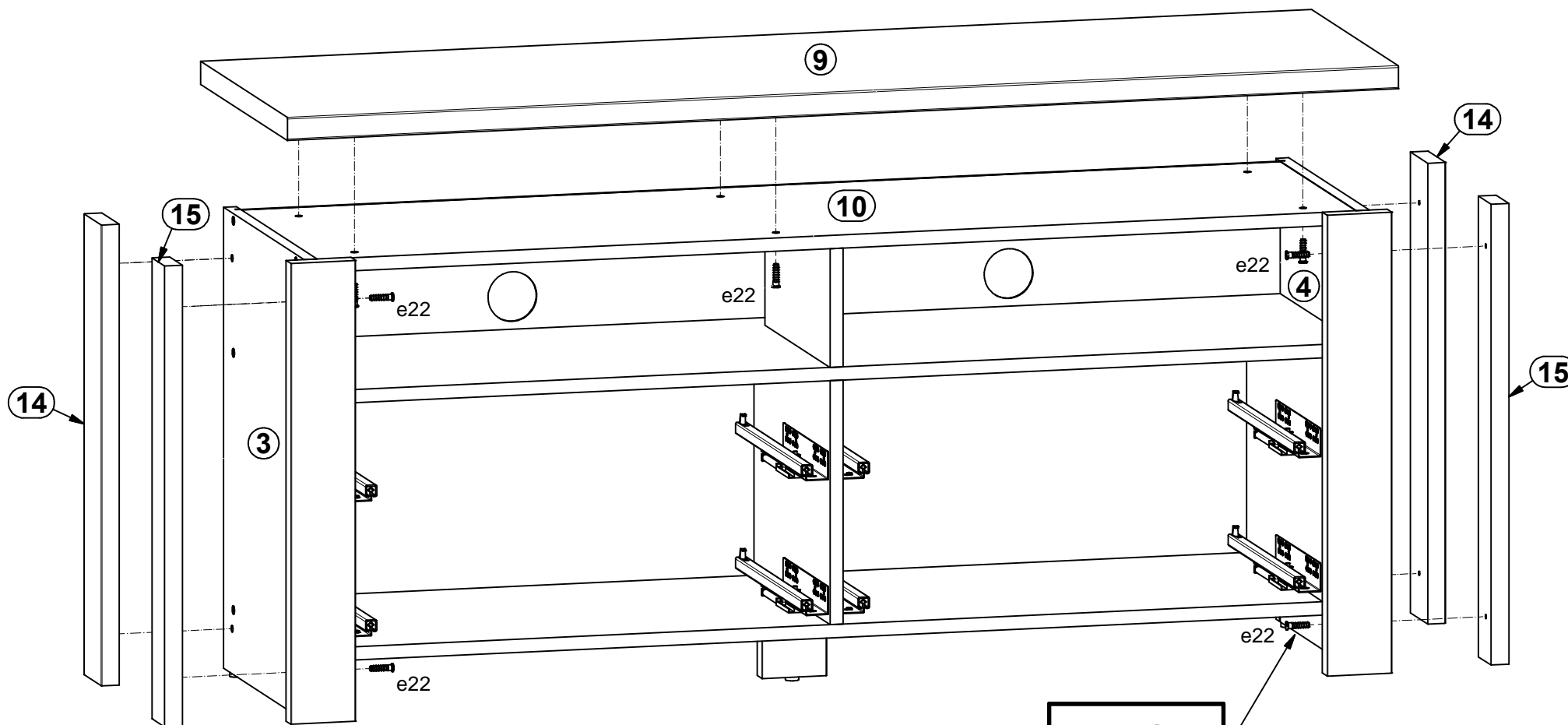
6


7

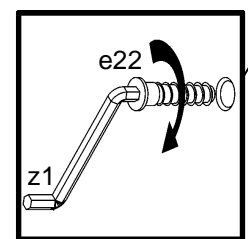




10



14x  e22
Ø7x28 mm



12x

