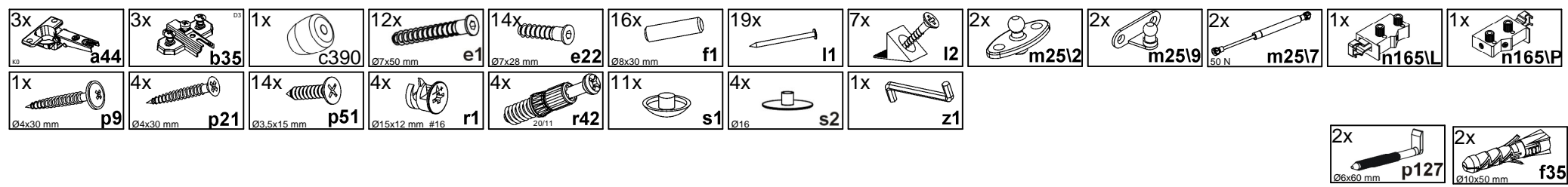
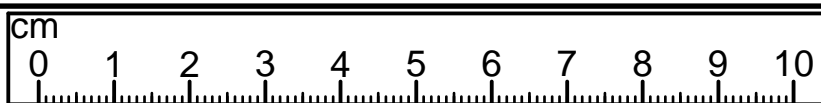
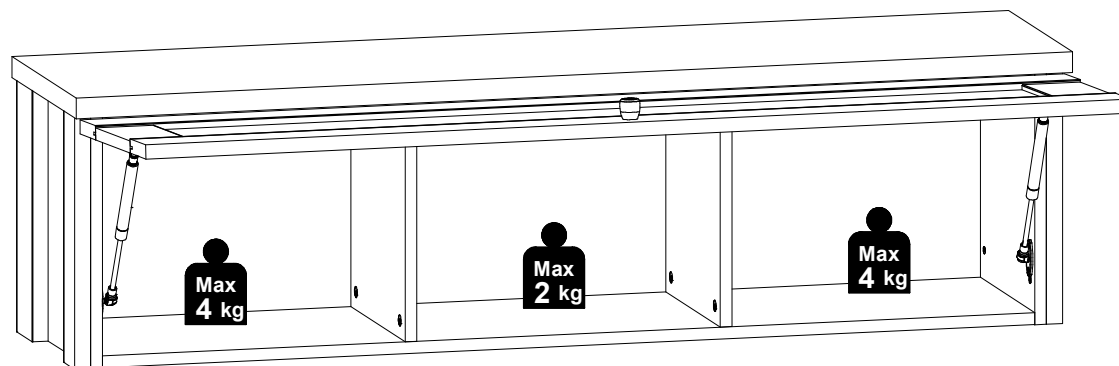
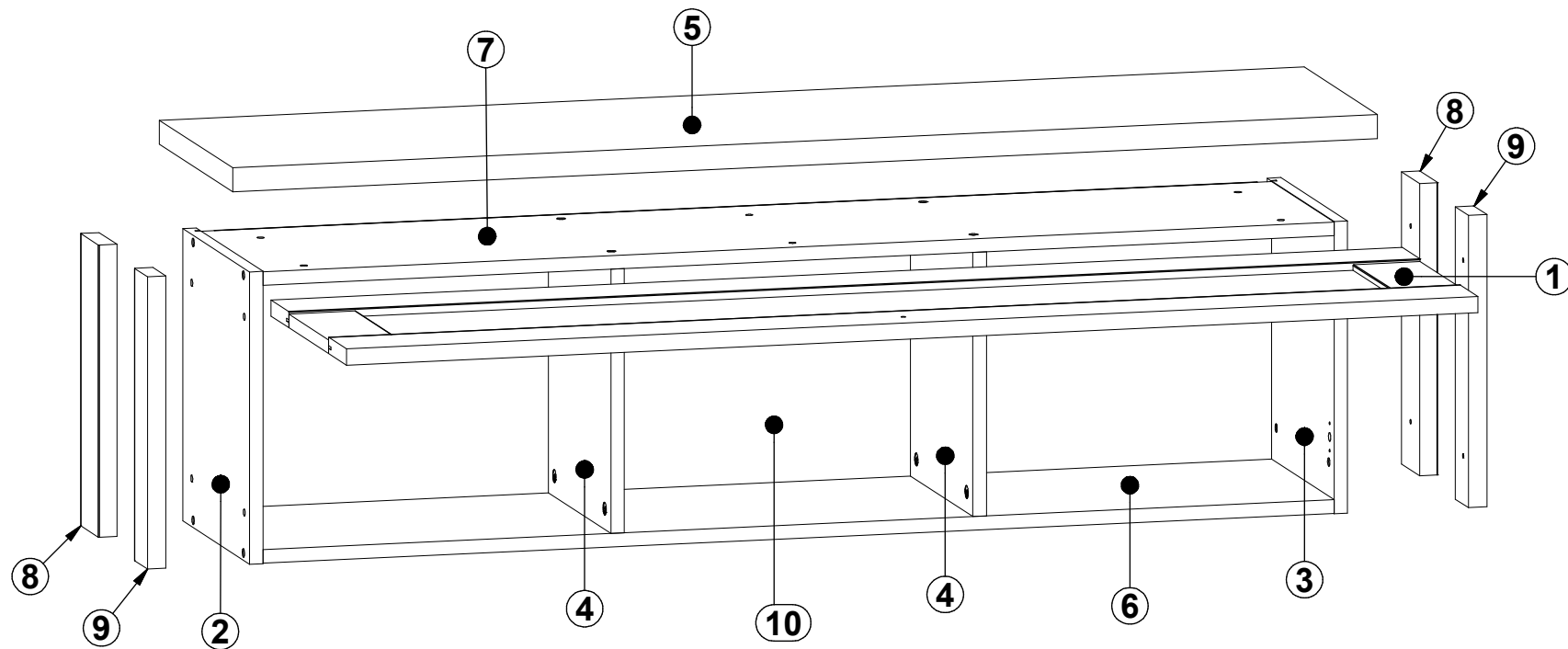
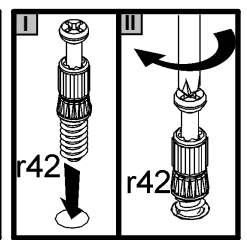
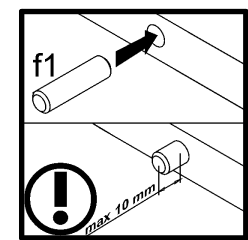
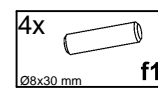
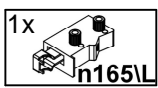
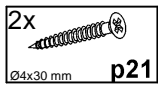
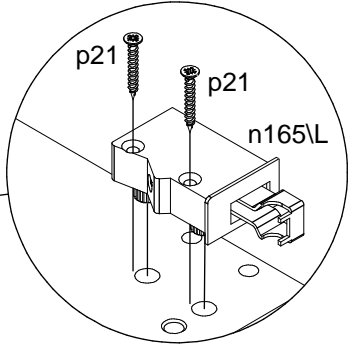
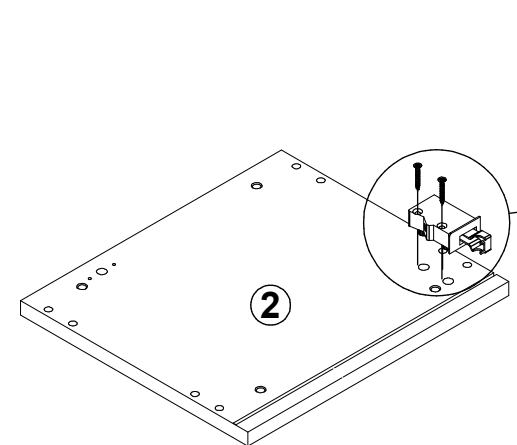
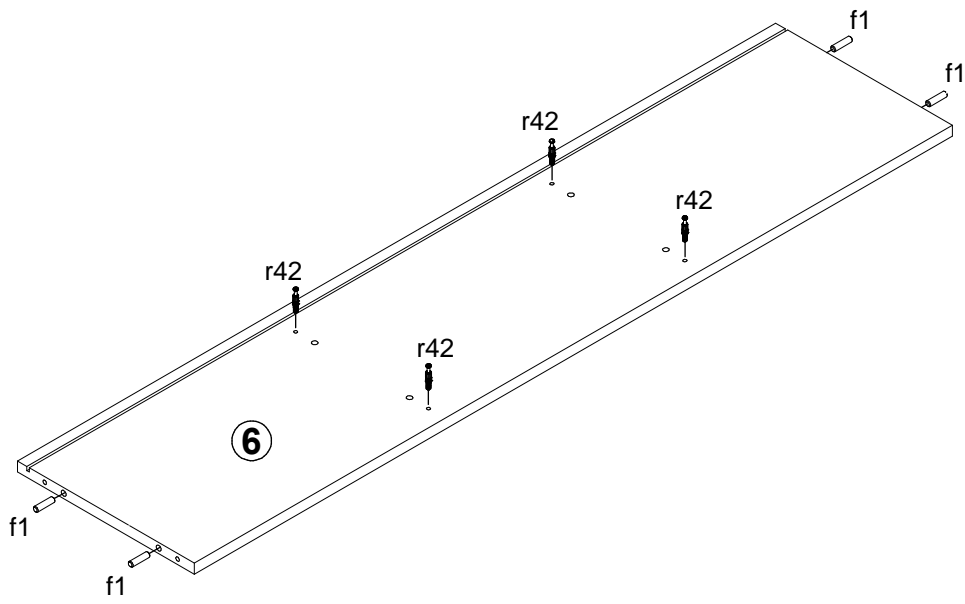
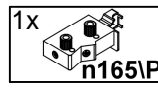
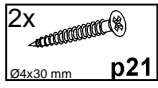
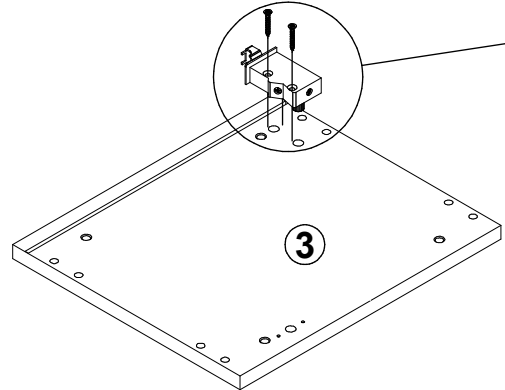
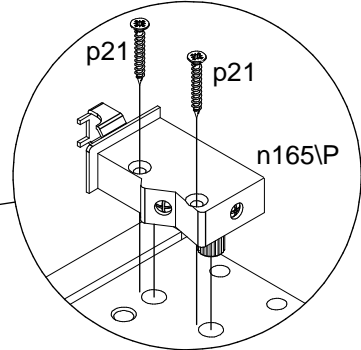
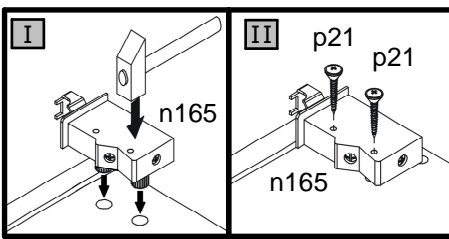


A	B	C (mm)		D
1	S256-028	337	1350	1/1
2	S256-169	342	298	1/1
3	S256-170	342	298	1/1
4	S256-171	309	278	1/1
5	S256-221	1366,	327	1/1
6	S256-363	1278	298	1/1
7	S256-364	1278	278	1/1
8	S256-5565	342	80	1/1
9	S256-5566	342	58,	1/1
10	S256-923	330	1288	1/1

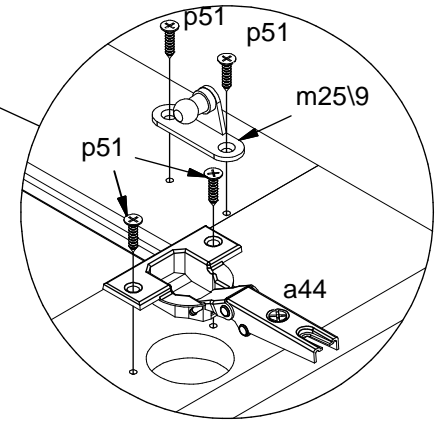
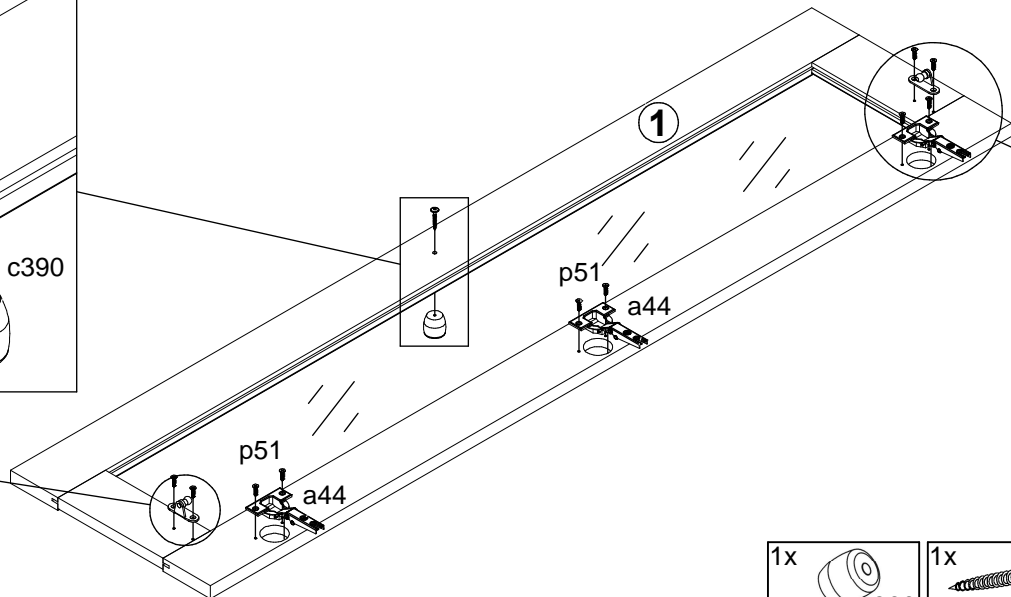
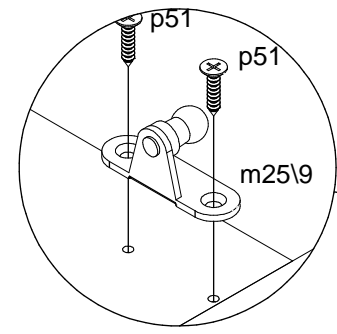
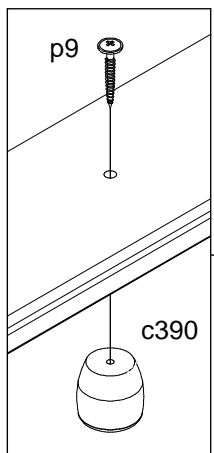
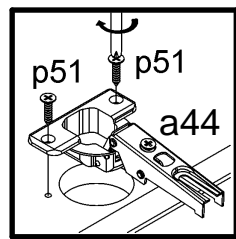
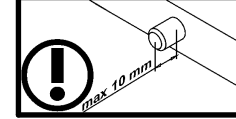
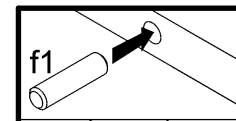
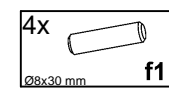
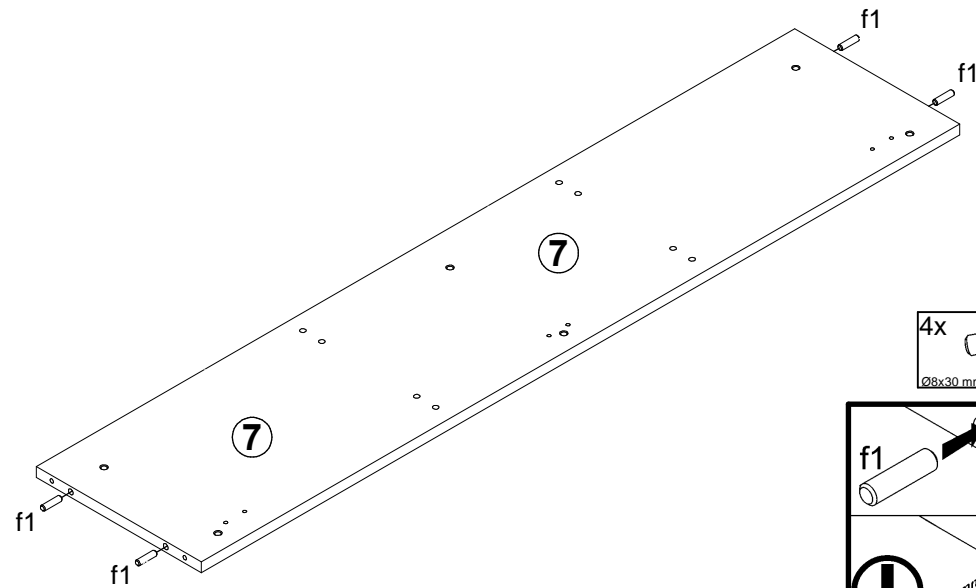
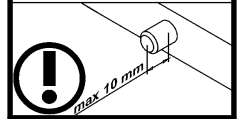
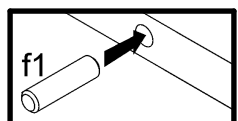
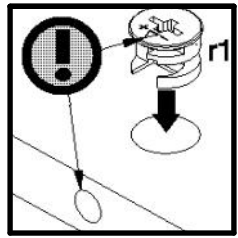
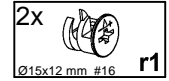
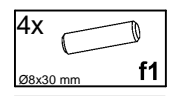
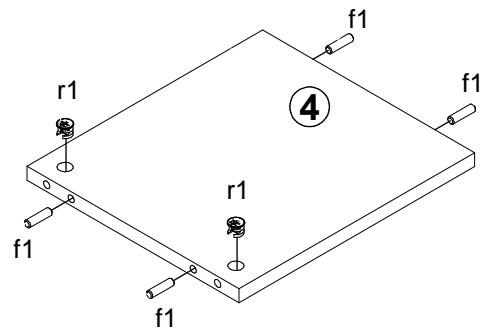











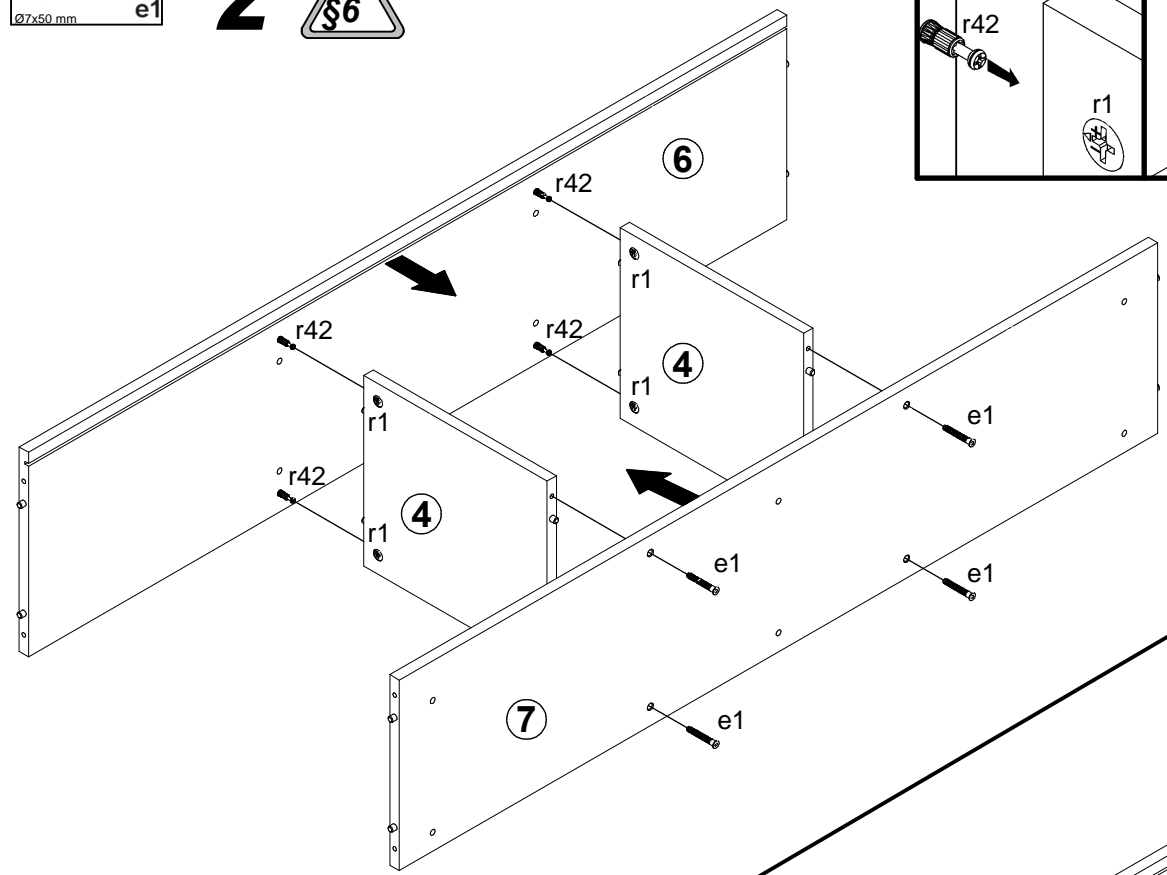
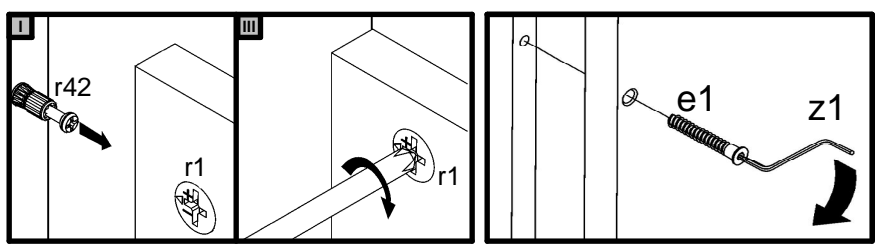
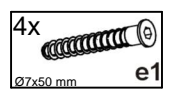
1 

2x

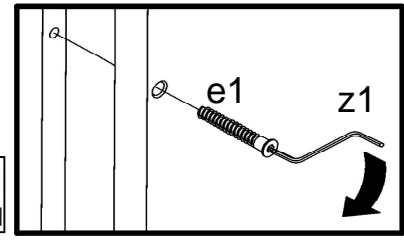
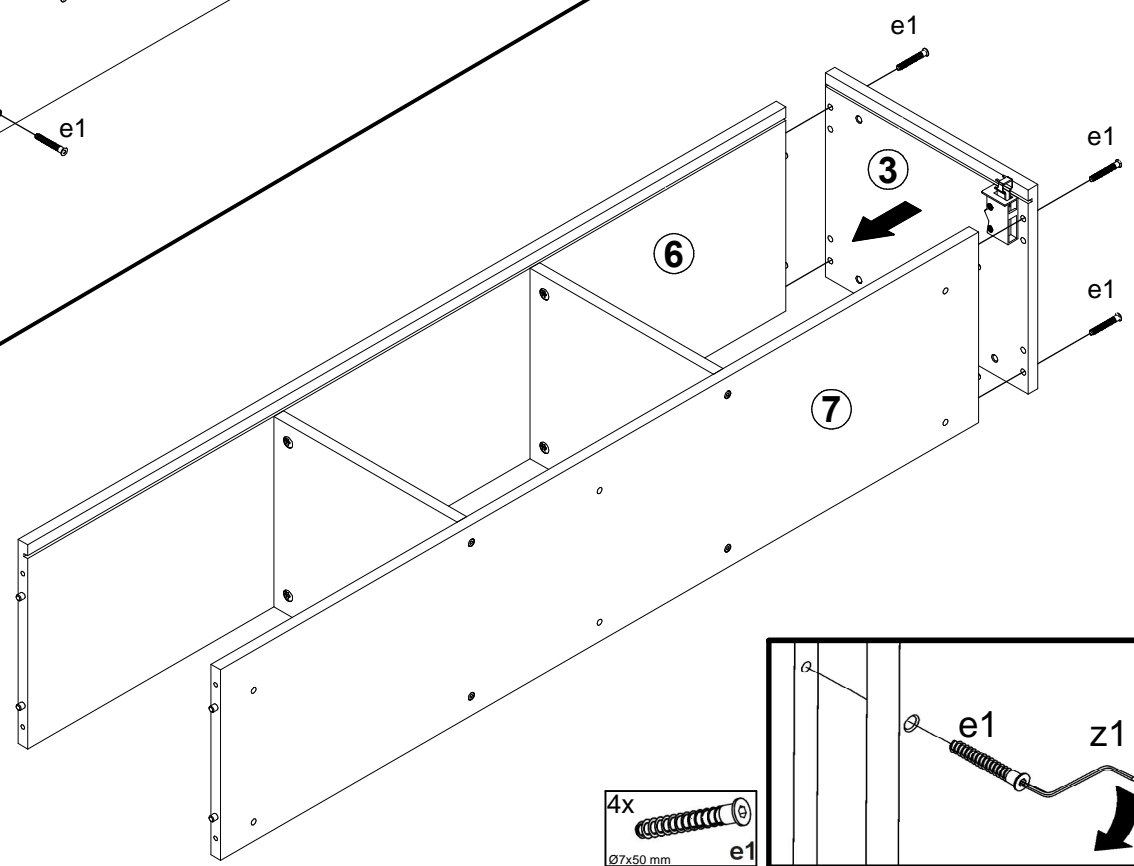




- 1x  c390
- 1x  p9
Ø4x30 mm
- 2x  m25\9
- 10x  p51
Ø3.5x15 mm
- 3x  a44

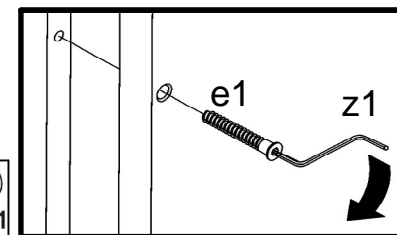
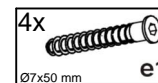
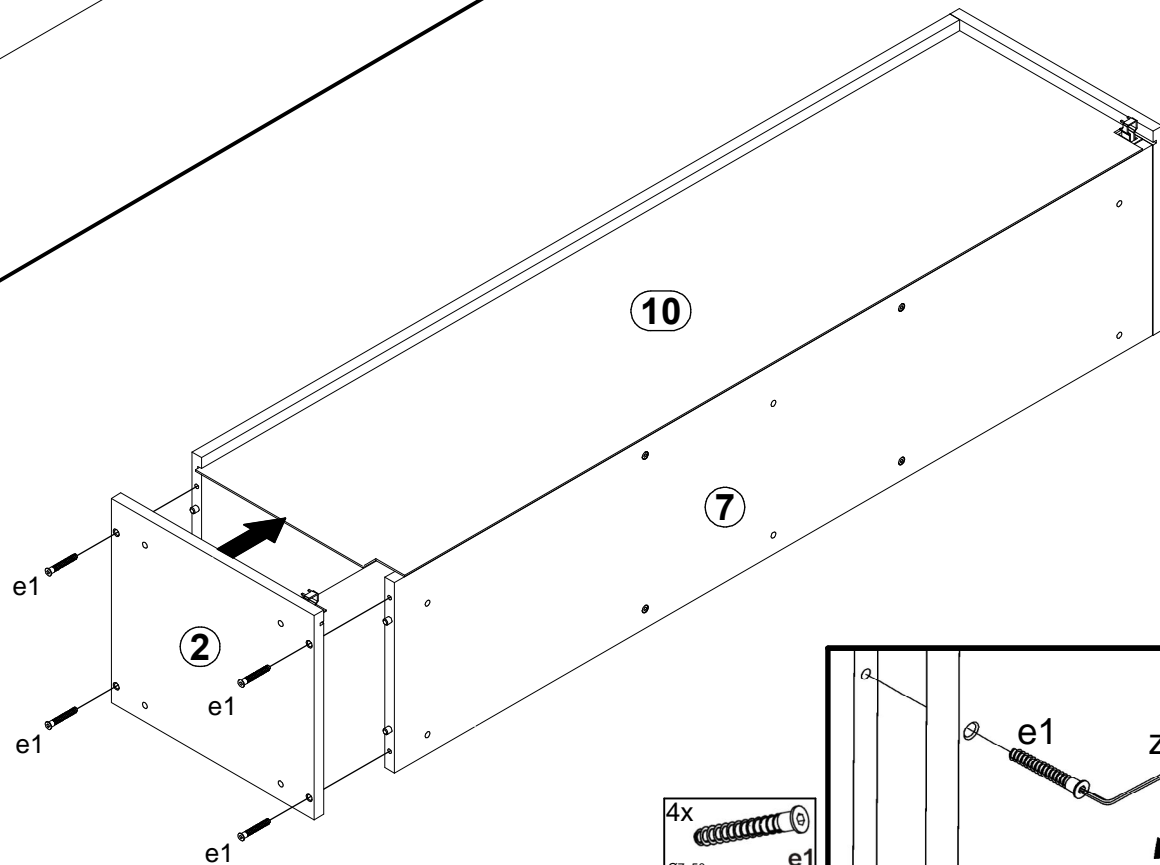
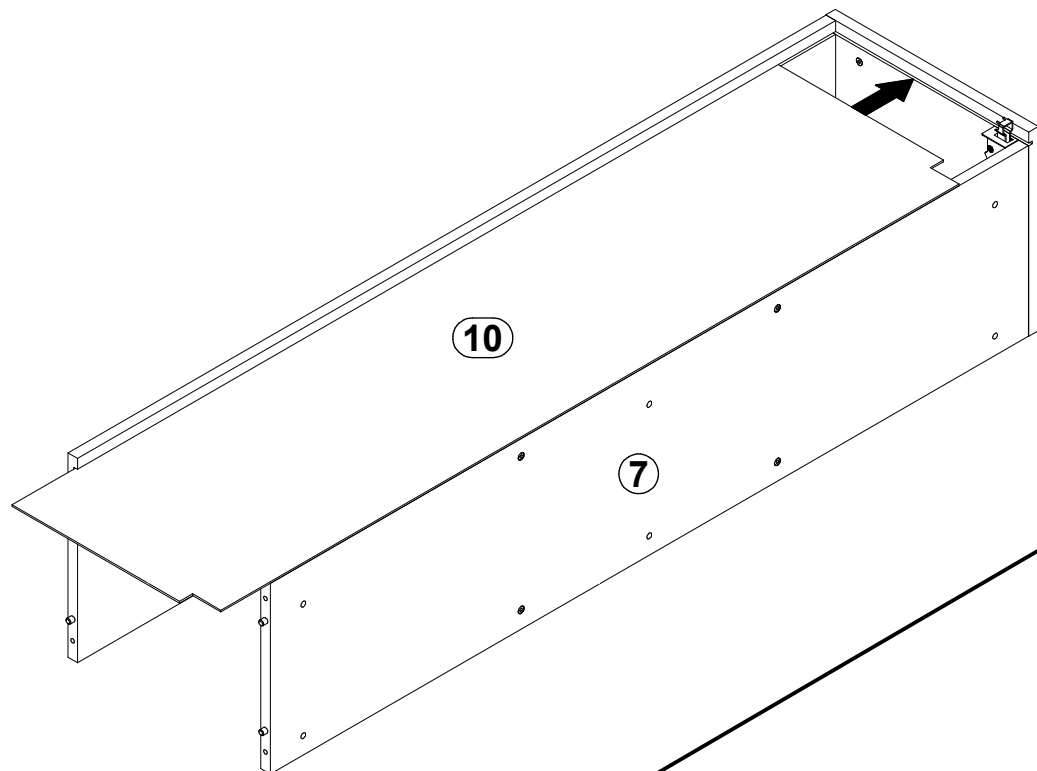


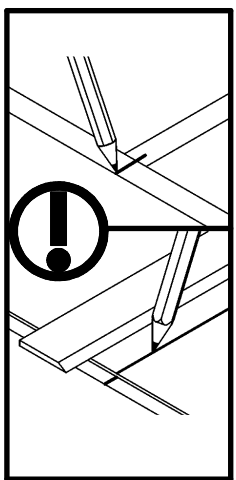
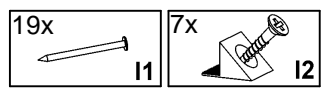
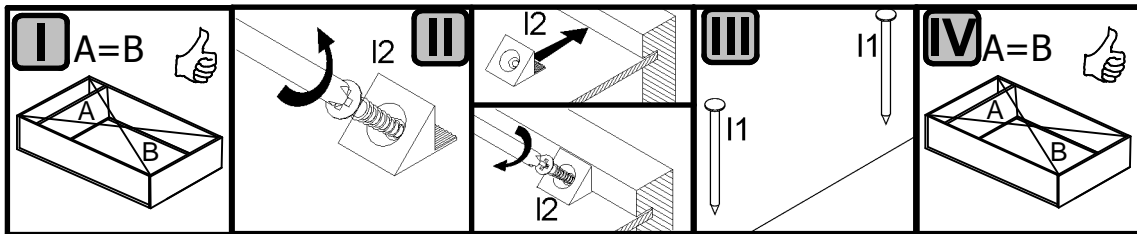
3



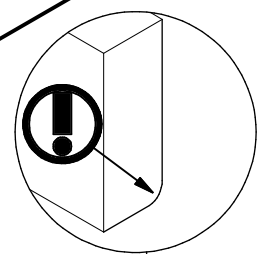
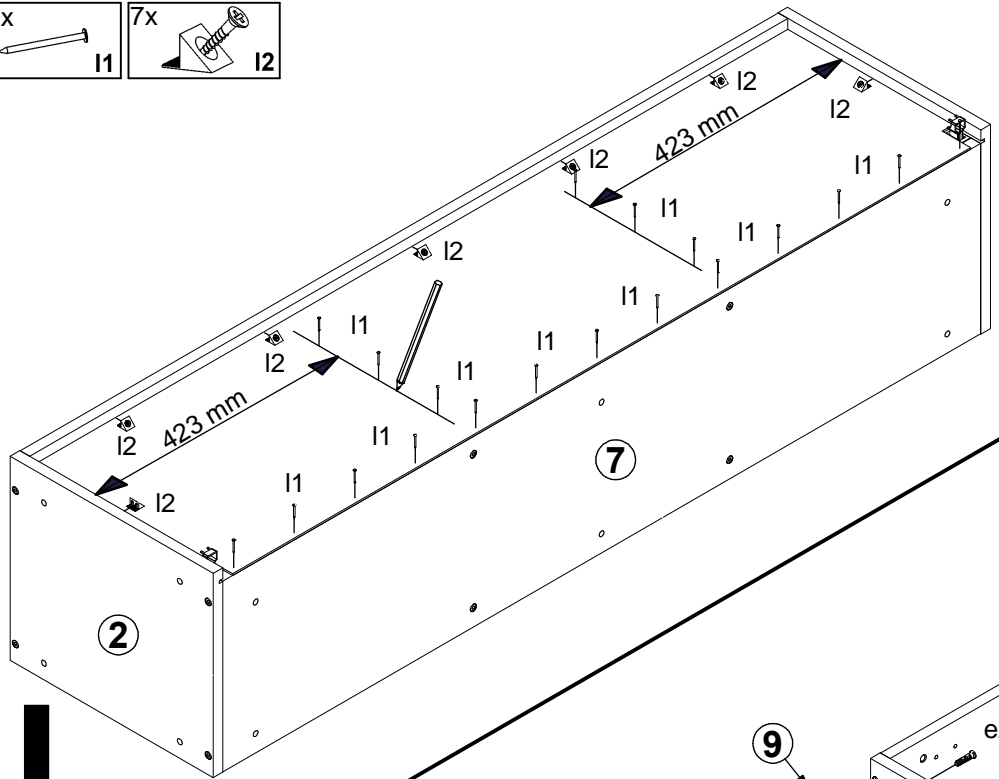
4

5

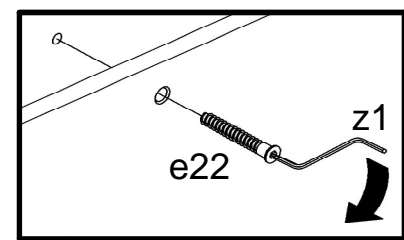
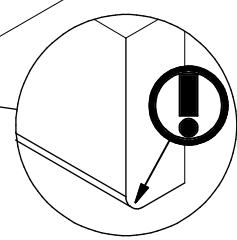
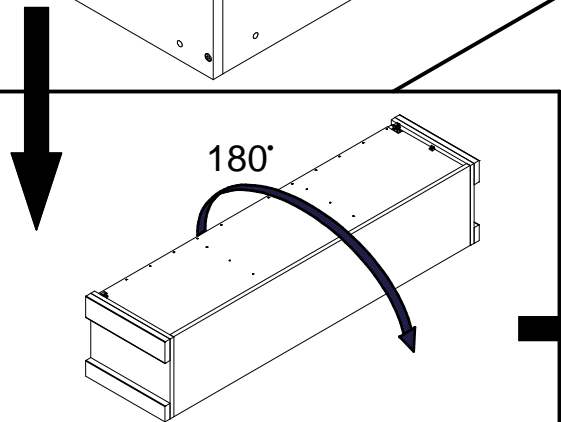
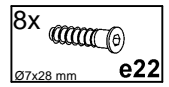
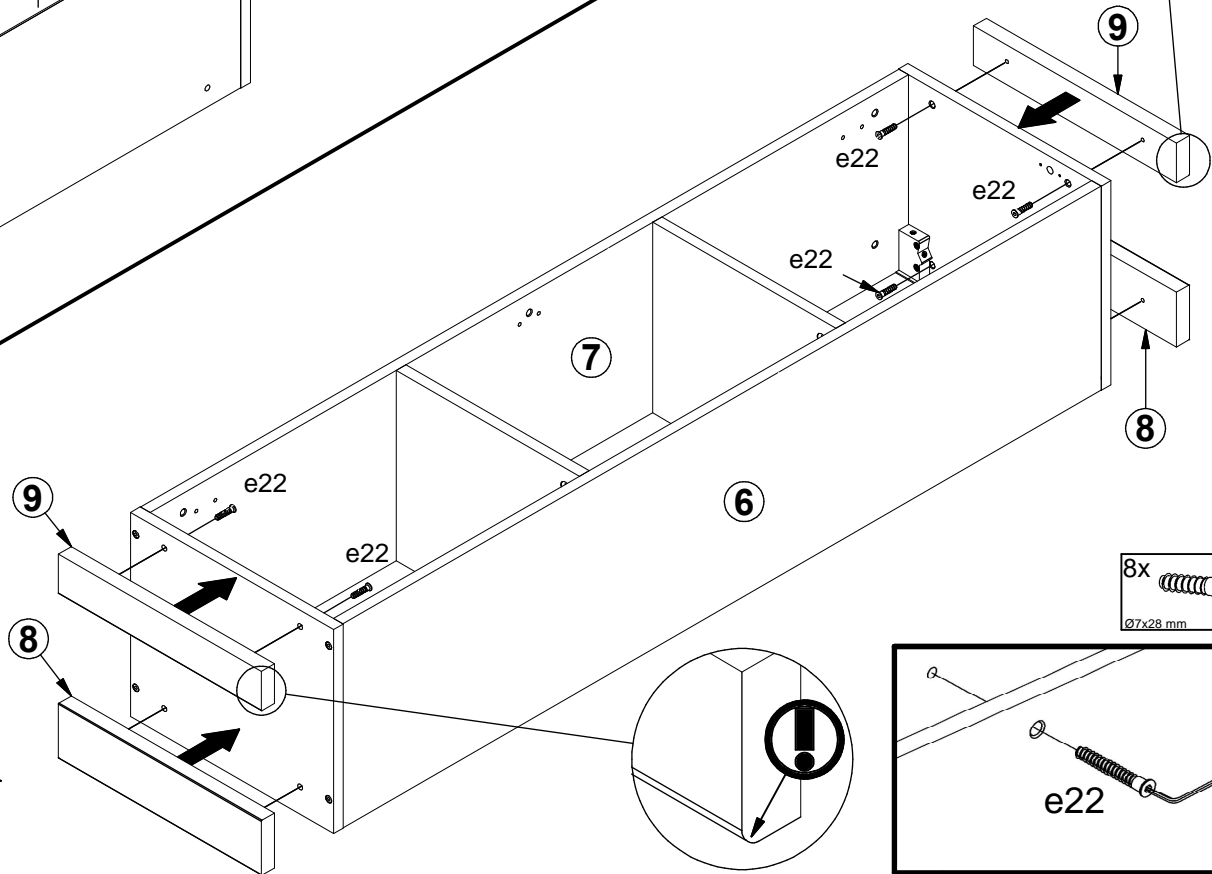


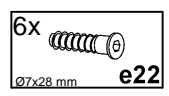
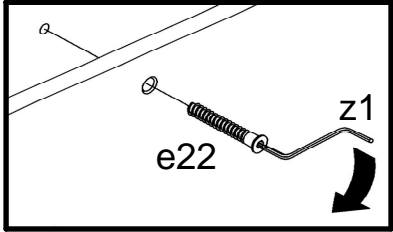


6

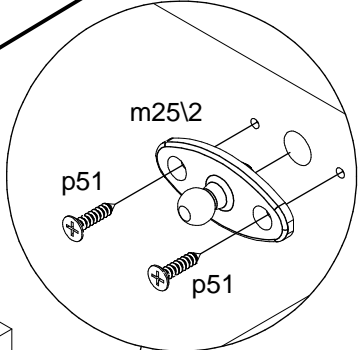
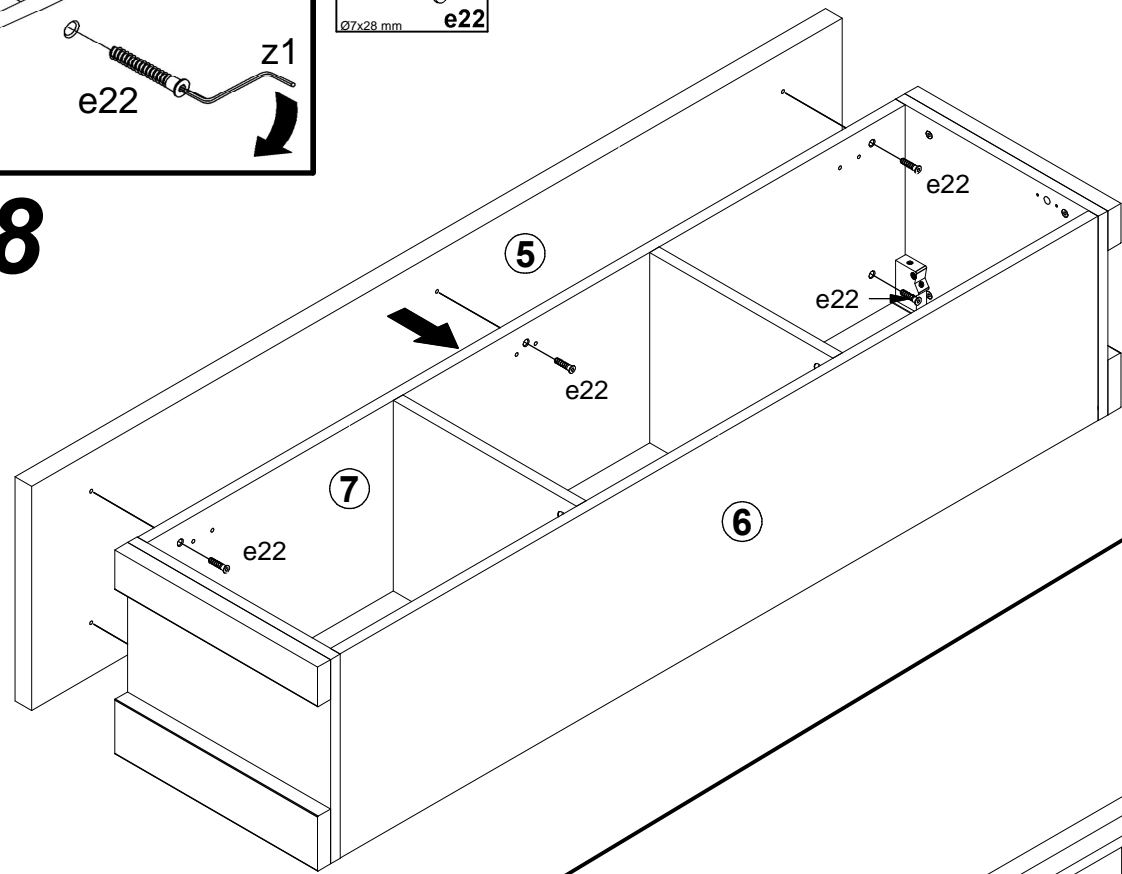


7

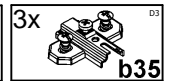
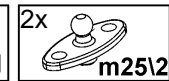
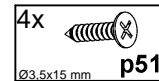
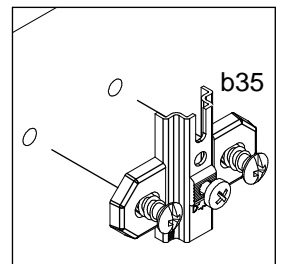
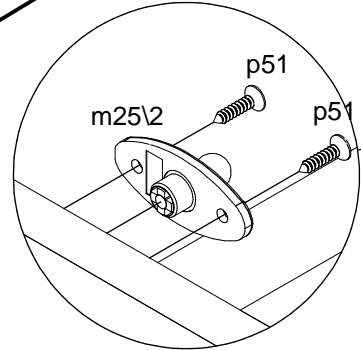
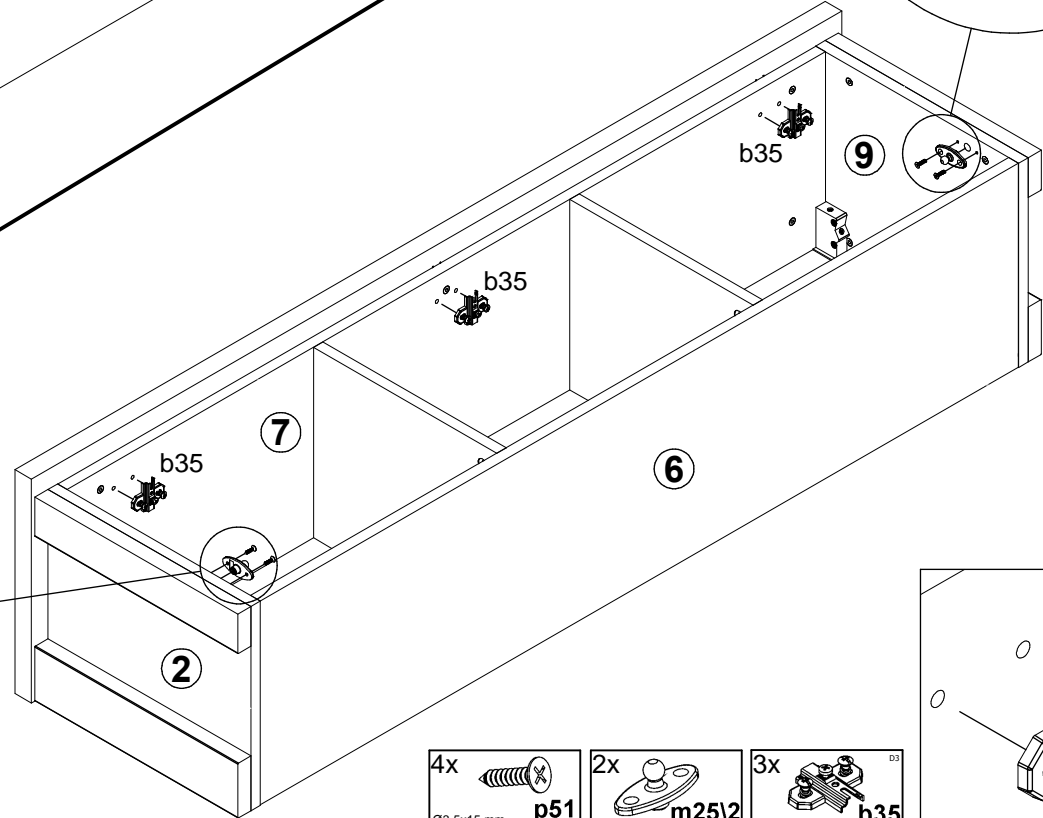




8

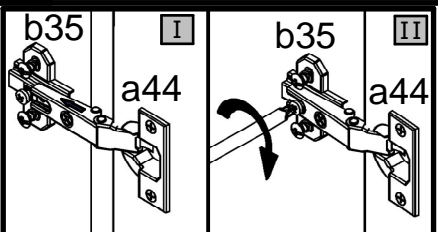


9

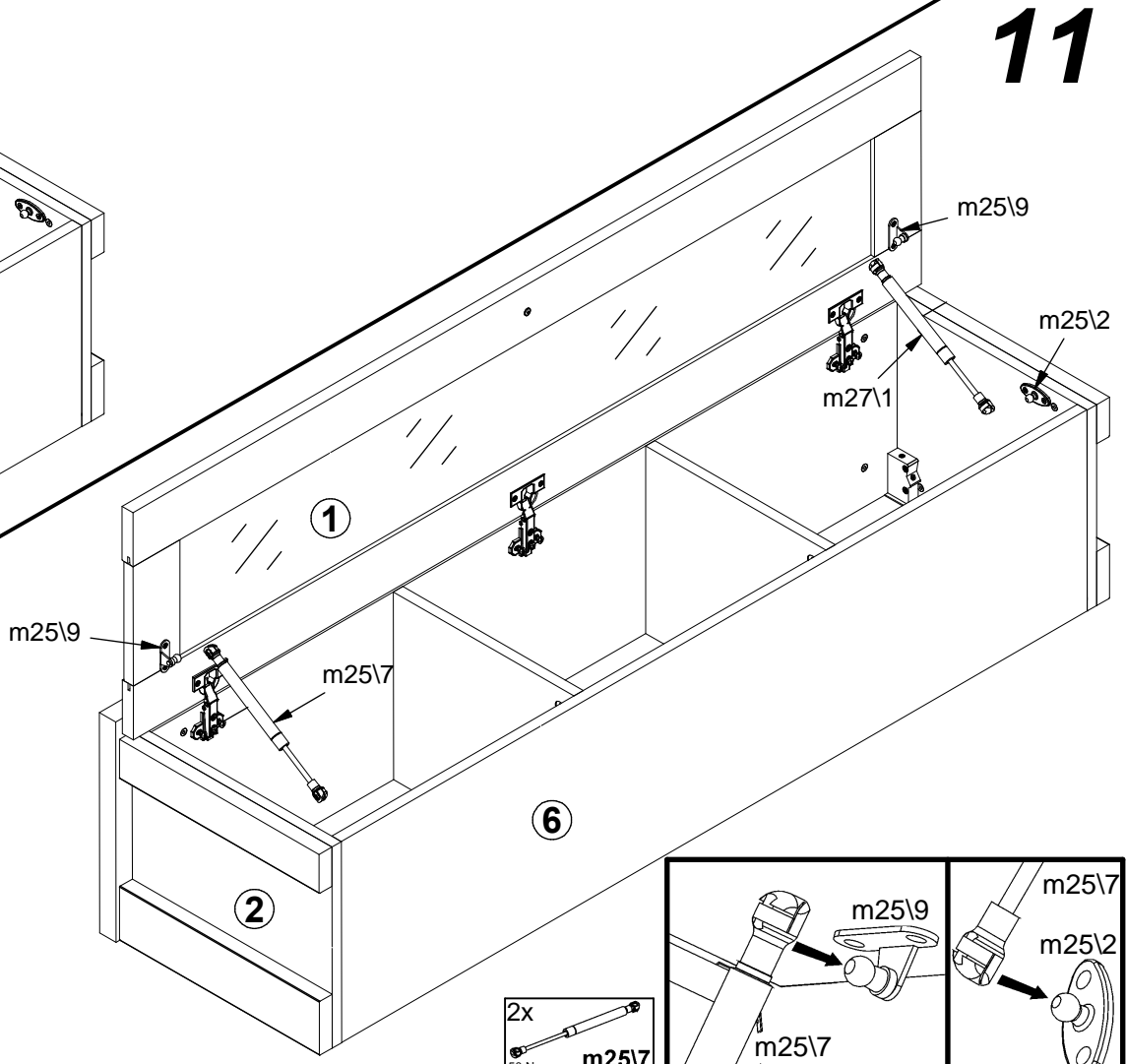
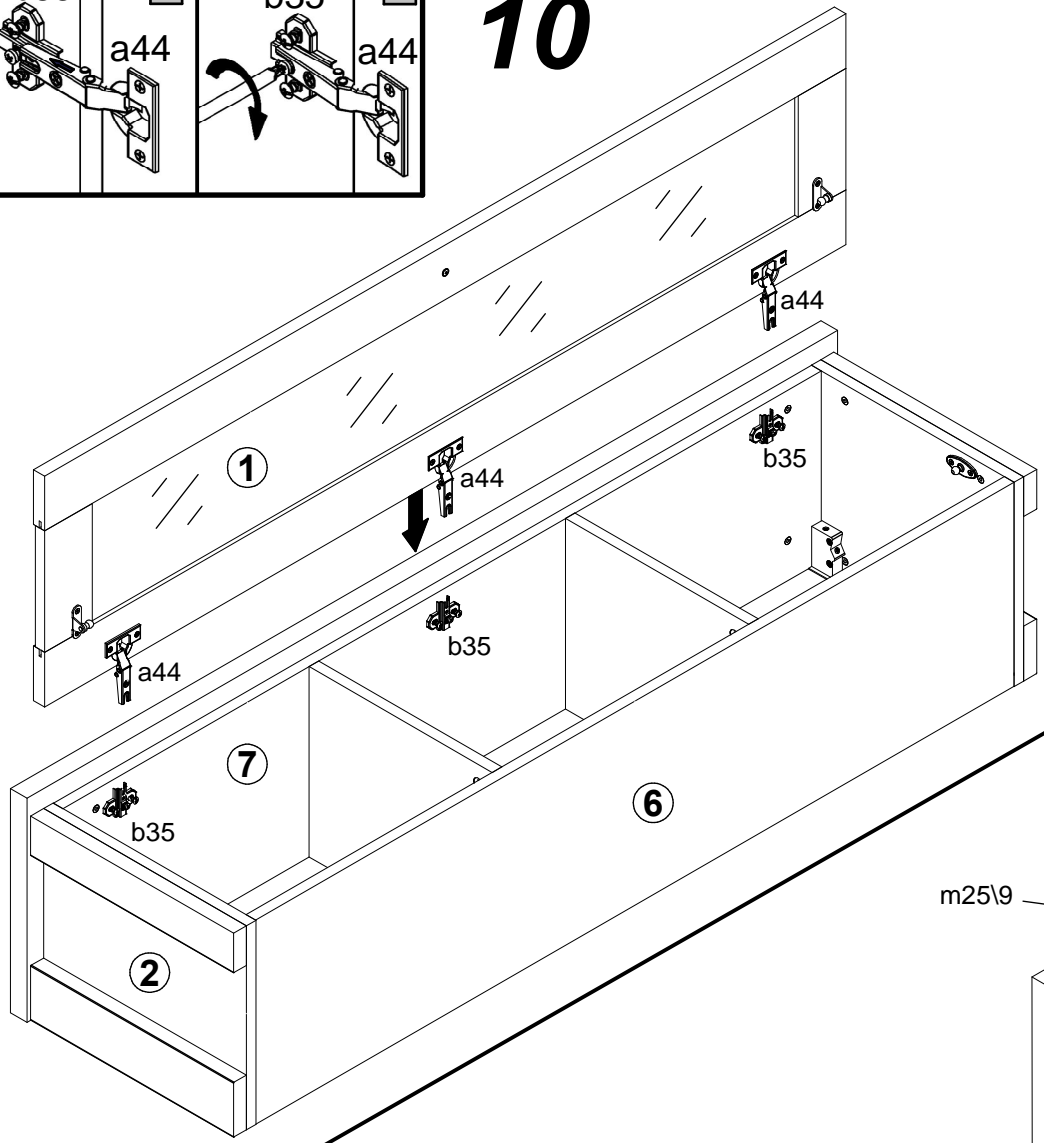


A

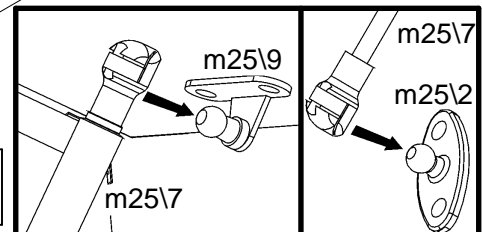
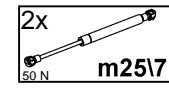
S256-SFW1W/4/14



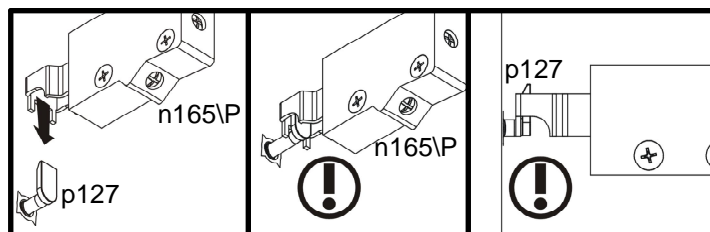
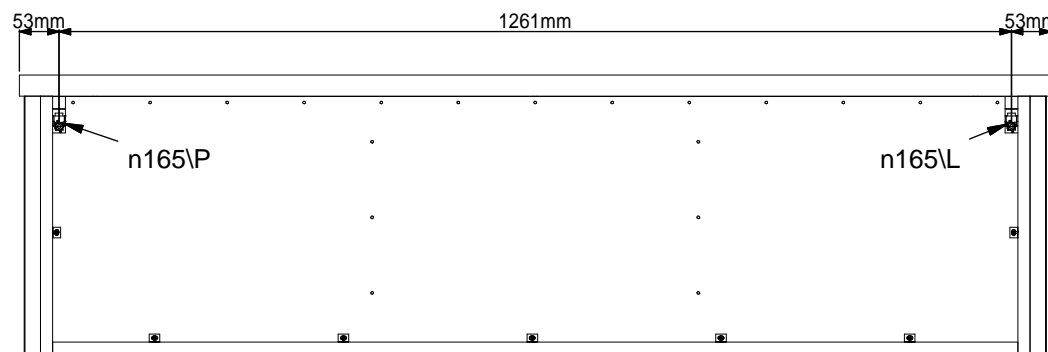
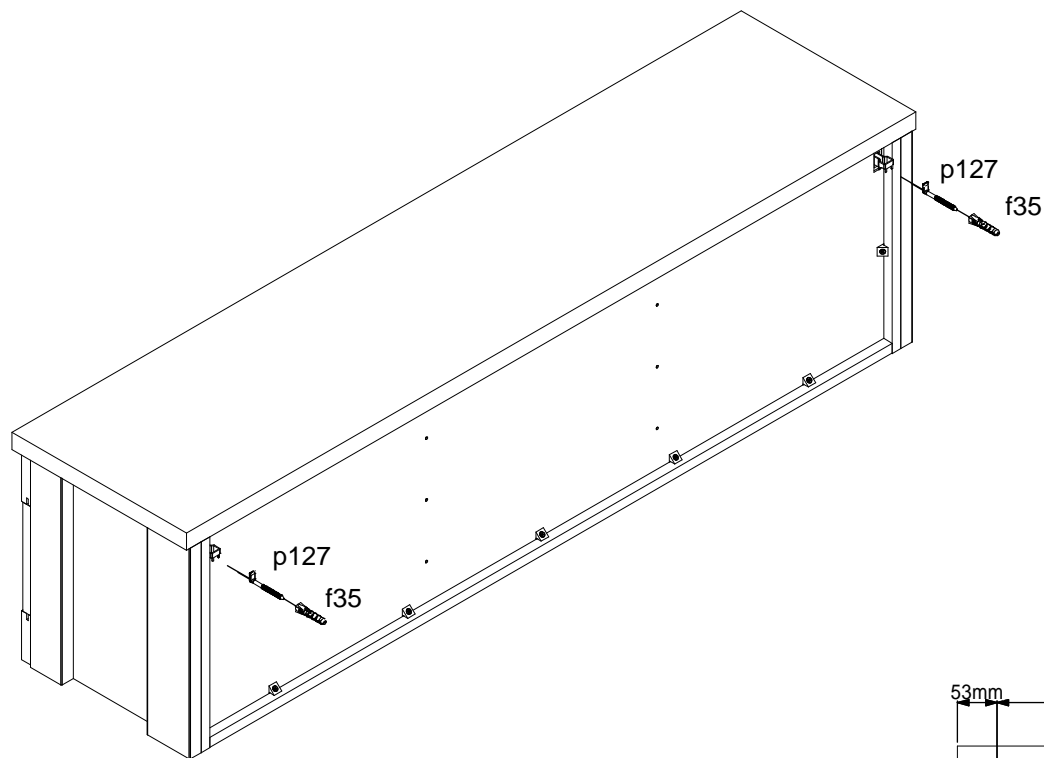
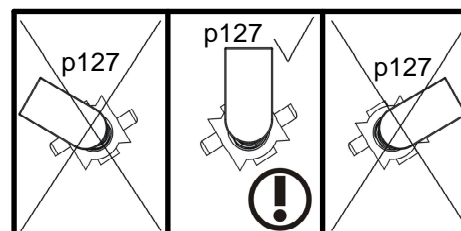
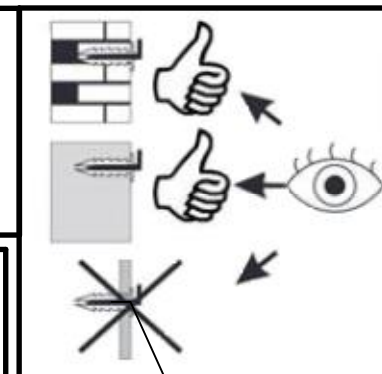
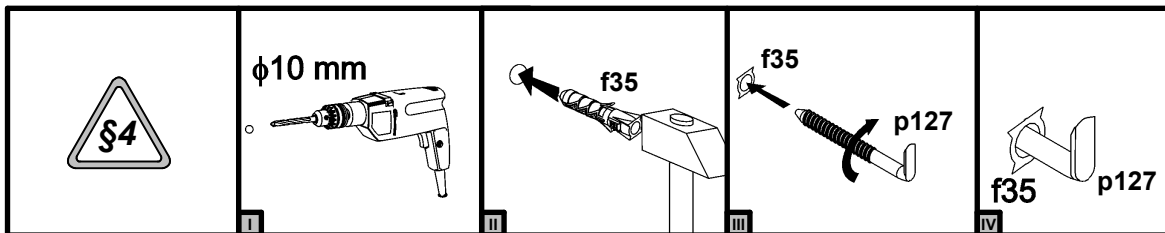
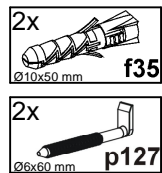
10



11



12



13

